



US00D405465S

United States Patent [19]
Hall et al.

[11] **Patent Number: Des. 405,465**
[45] **Date of Patent: **Feb. 9, 1999**

[54] **MATERIAL SENSOR**
[75] Inventors: **Dale G. Hall**, Cedar Crest; **Hank Burke**, Jemez Pueblo; **Jerry Bohannon**, Albuquerque, all of N. Mex.

4,592,642 6/1986 Imaizumi et al. 222/64 X
4,668,074 5/1987 Hirozane 222/DIG. 1 X
4,931,812 6/1990 Dunn et al. D18/56 X
5,438,230 8/1995 Hall 310/316

[73] Assignee: **Motorola, Inc.**, Schaumburg, Ill.
[**] Term: **14 Years**

Primary Examiner—Caron D. Veynar
Attorney, Agent, or Firm—Gary J. Cunningham

[21] Appl. No.: **49,060**
[22] Filed: **Jan. 16, 1996**

[57] **CLAIM**
The ornamental design for material sensor, as shown and described.

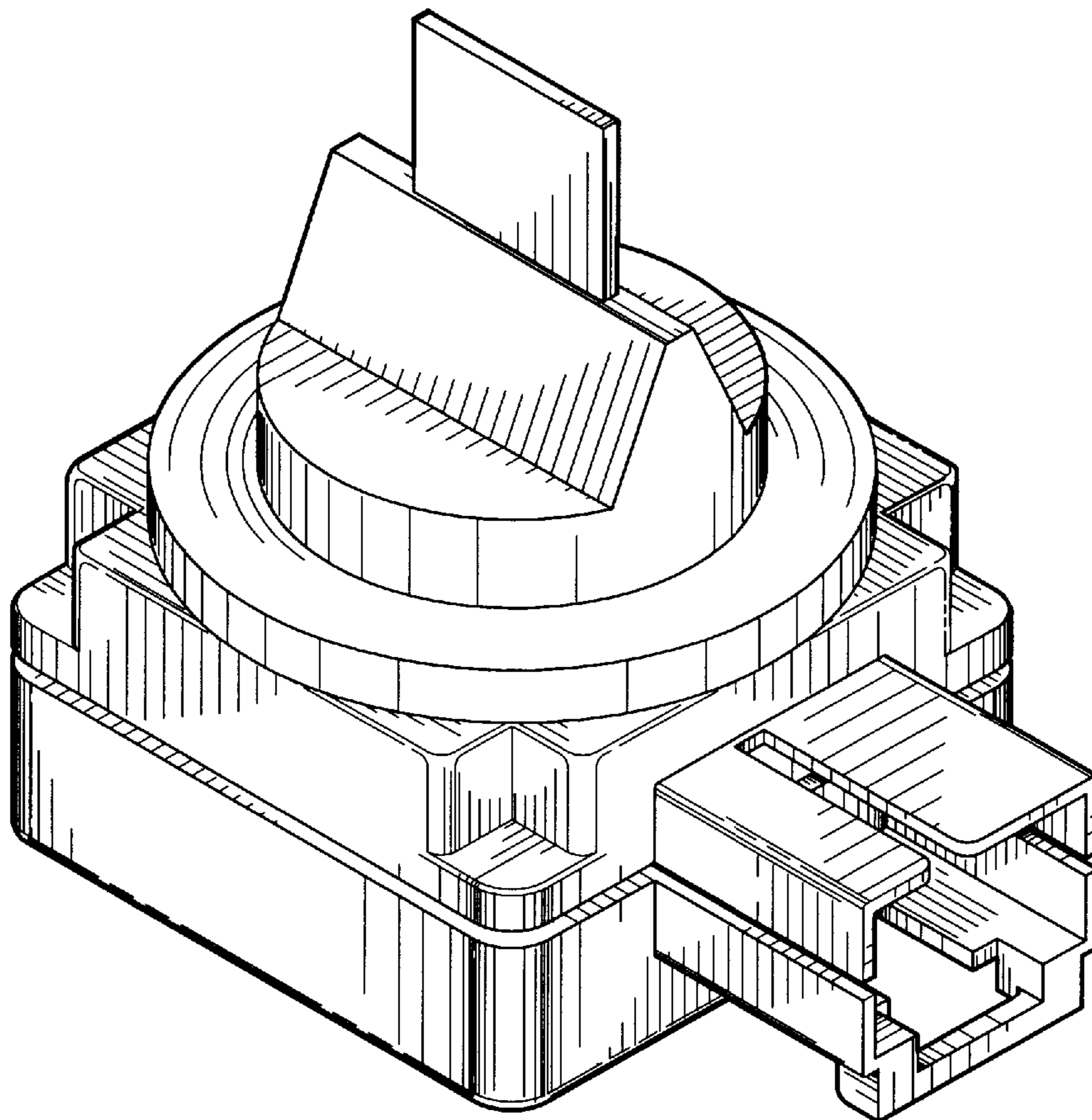
[51] **LOC (6) Cl.** **16-03**
[52] **U.S. Cl.** **D18/40**
[58] **Field of Search** D18/36, 40, 43,
D18/56; 222/57, 58, 64-66, DIG. 1; 250/357.1;
340/612, 616, 617, 621; 355/77, 246, 260,
261; 310/316, 317, 318

DESCRIPTION

FIG. 1 is a perspective view of said improved material sensor showing the top, right and front of our new design; FIG. 2 is a left side elevational view thereof; FIG. 3 is a rear elevational view of our new design; and, FIG. 4 is a bottom plan view thereof.

[56] **References Cited**
U.S. PATENT DOCUMENTS
3,951,309 4/1976 Kadowaki 222/64

1 Claim, 2 Drawing Sheets



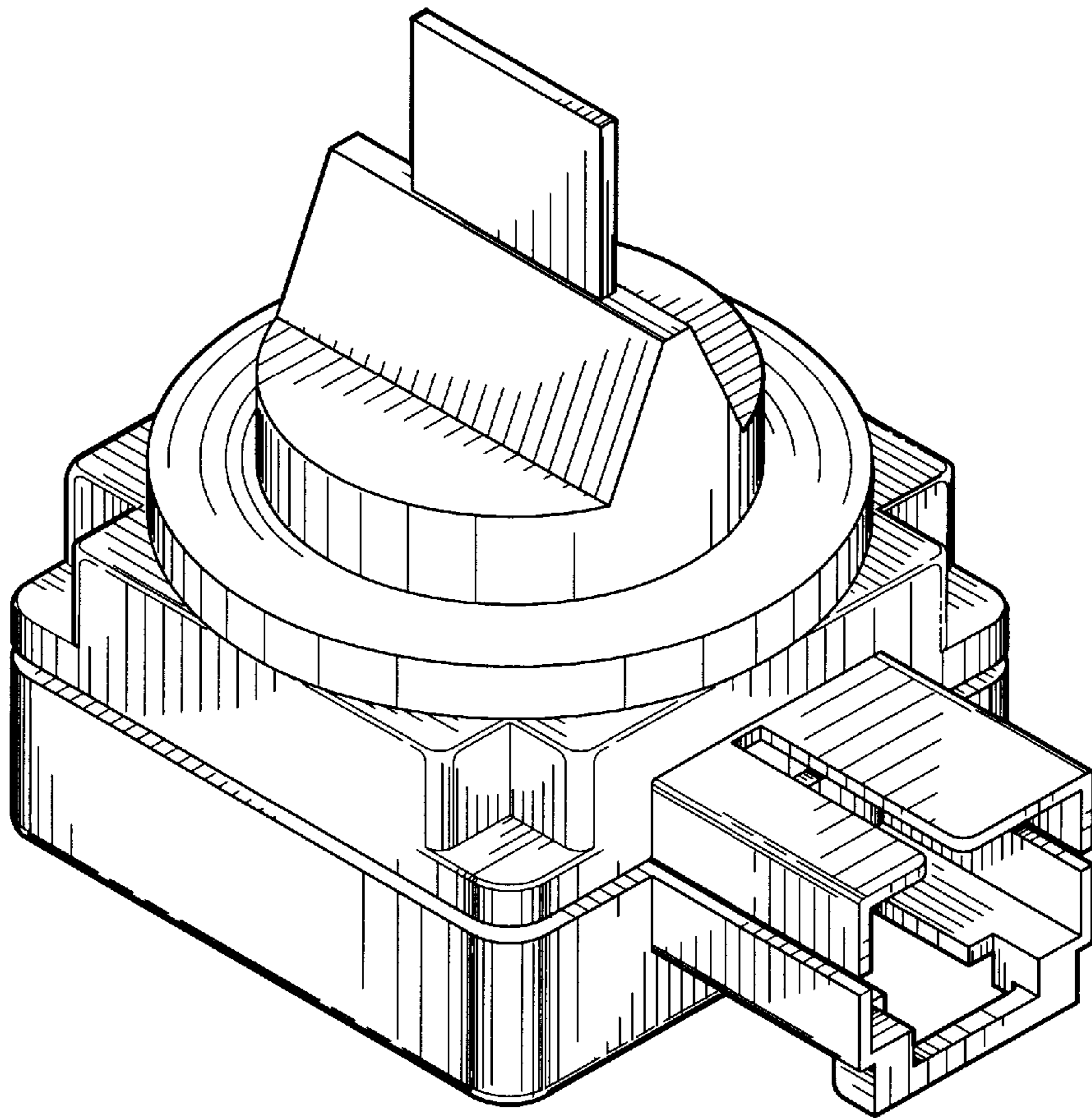


FIG. 1

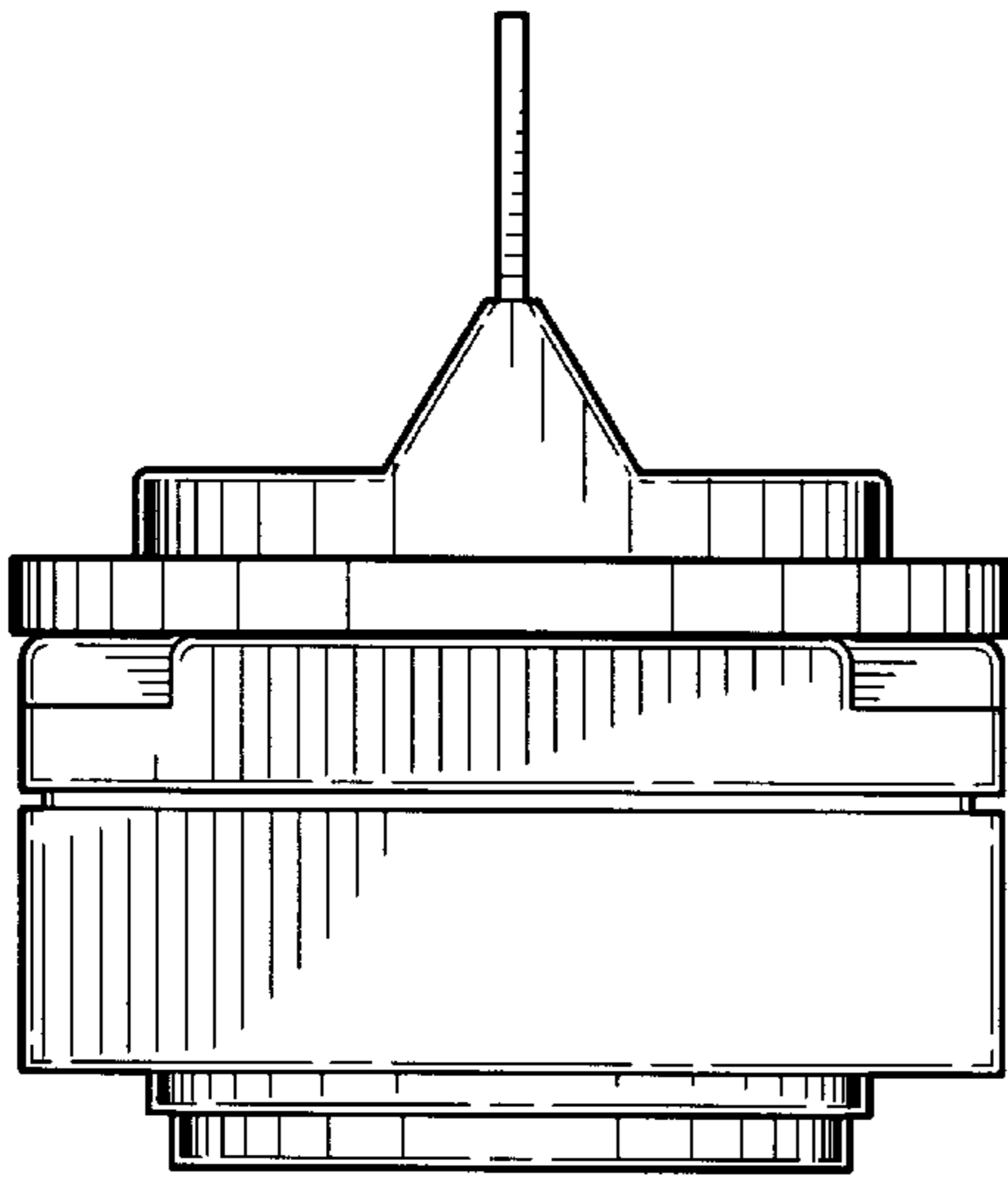


FIG. 2

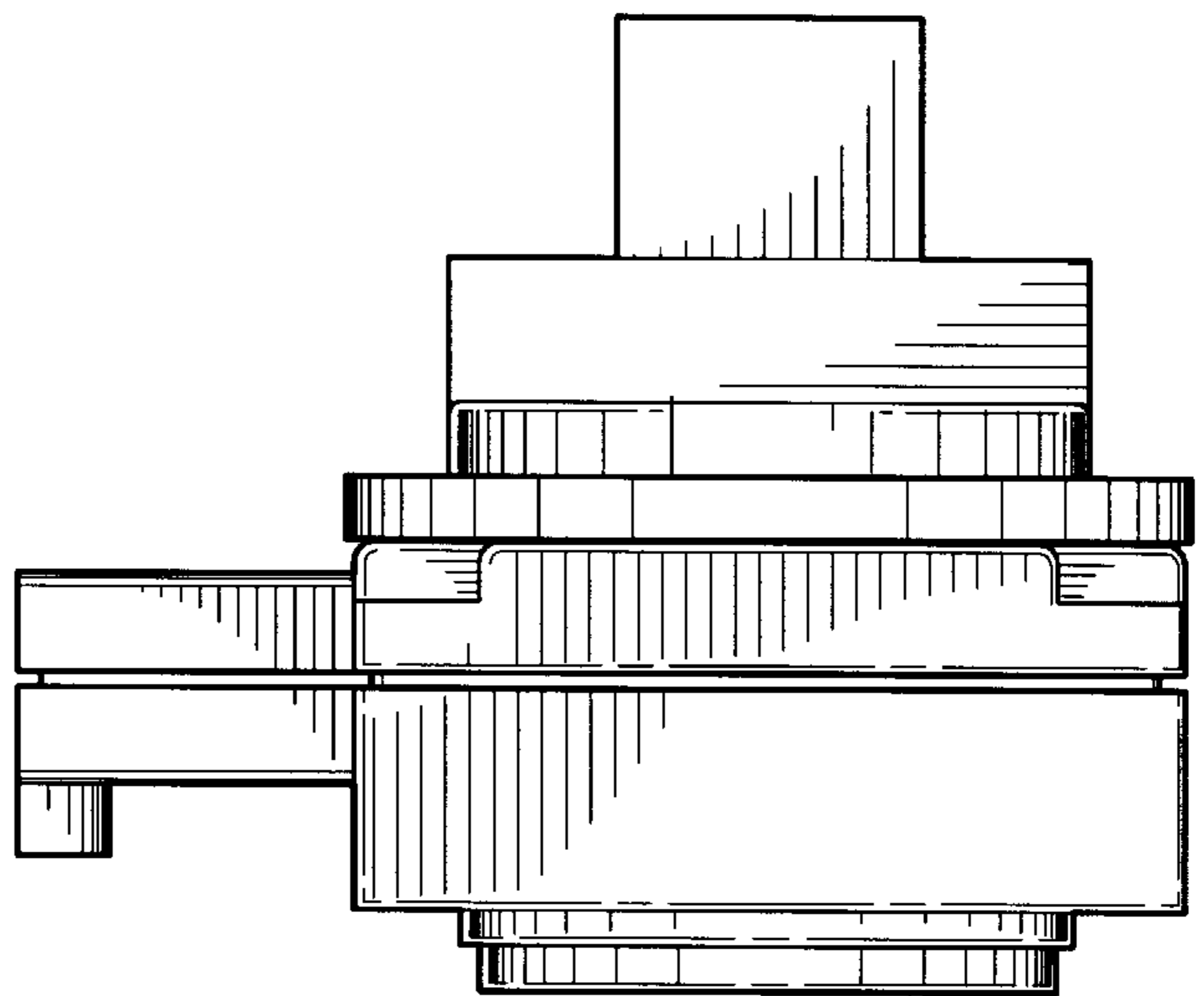


FIG. 3

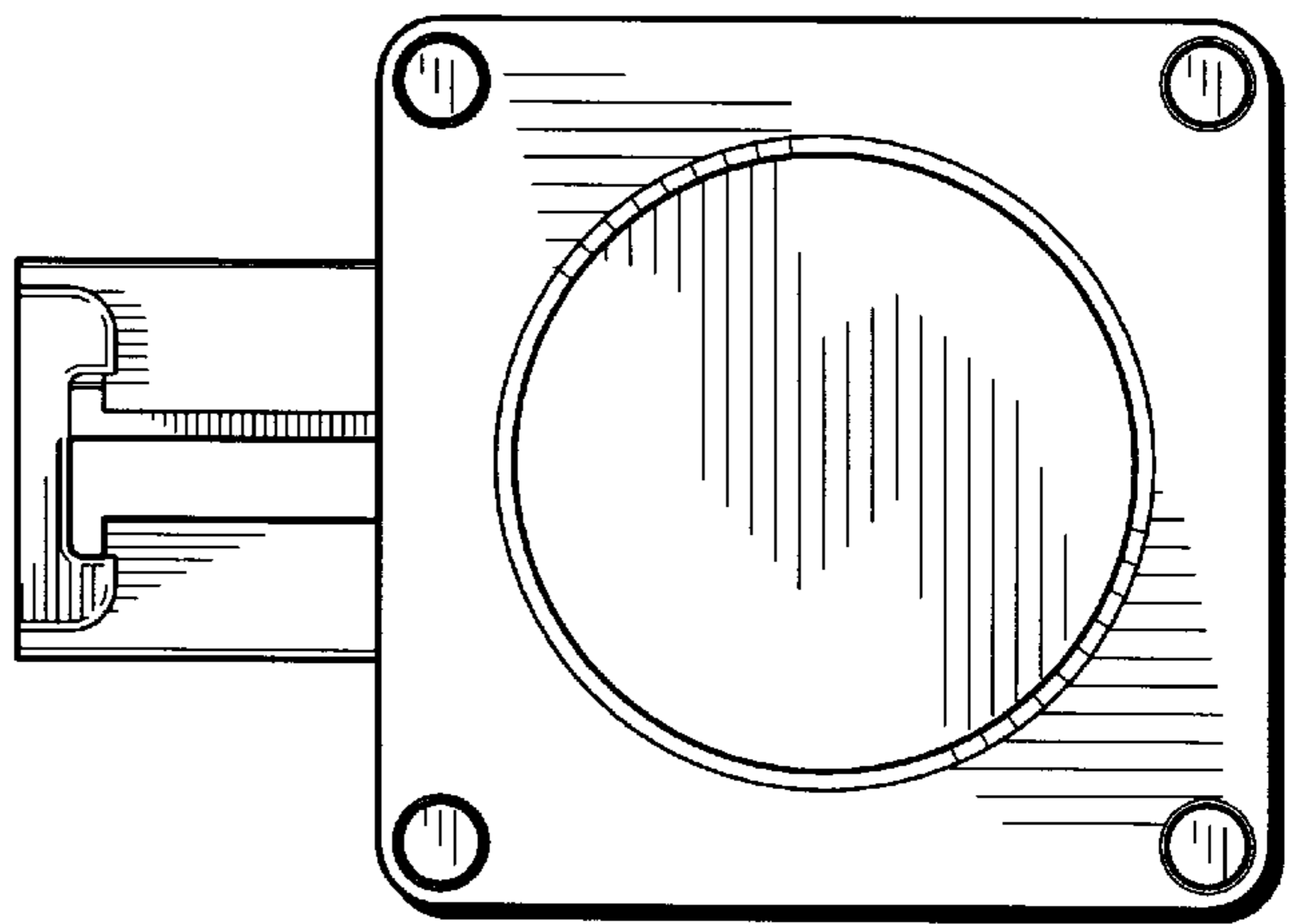


FIG. 4