



US00D405456S

United States Patent [19] Lefkowitz

[11] **Patent Number: Des. 405,456**

[45] **Date of Patent: **Feb. 9, 1999**

[54] SURVEILLANCE CAMERA HOUSING

[75] Inventor: **Stephen Lefkowitz**, Englewood Cliffs, N.J.

[73] Assignee: **CCTV Corporation**, South Hackensack, N.J.

[**] Term: **14 Years**

[21] Appl. No.: **85,822**

[22] Filed: **Mar. 31, 1998**

[51] **LOC (6) Cl.** **16-01**

[52] **U.S. Cl.** **D16/203**

[58] **Field of Search** D16/200-208;
348/143, 373-376; 396/419, 427, 535-543

[56] **References Cited**

U.S. PATENT DOCUMENTS

D. 248,305	6/1978	Scott .	
D. 275,294	8/1984	Pagano	D16/203
D. 307,759	5/1990	Pagano .	
D. 349,713	8/1994	Hasegawa	D16/203
D. 349,911	8/1994	Shimizu et al. .	
D. 388,450	12/1997	Hamano et al.	D16/203
D. 395,715	6/1998	Queen	D16/203
4,796,039	1/1989	Pagano	396/427

FOREIGN PATENT DOCUMENTS

7007641 1/1995 Japan .

OTHER PUBLICATIONS

Creative Video Blaster WebCam, web page advertisement, date of posting unknown (printed out on Jun. 23, 1997).

Ultrak, advertisement for "Ball Camera," Security Sales, Nov. 1995.

Ivel Developmenets Ltd., advertisement of "ID " Camera, date unknown.

GBC Model BC-350 catalog sheets.

Primary Examiner—Philip S. Hyder

Assistant Examiner—Adir Aronovich

Attorney, Agent, or Firm—Lerner, David, Littenberg, Krumholz & Mentlik

[57] **CLAIM**

The ornamental design for a surveillance camera housing, as shown and described.

DESCRIPTION

FIG. 1 is a front perspective view of a surveillance camera housing showing my new design, the broken lines shown are for illustrative purposes only and form no part of the claimed design;

FIG. 2 is a back view thereof;

FIG. 3 is a top plan view thereof;

FIG. 4 is a front view thereof;

FIG. 5 is a right side view thereof, the opposite side being a mirror image; and,

FIG. 6 is a bottom plan view thereof.

1 Claim, 2 Drawing Sheets

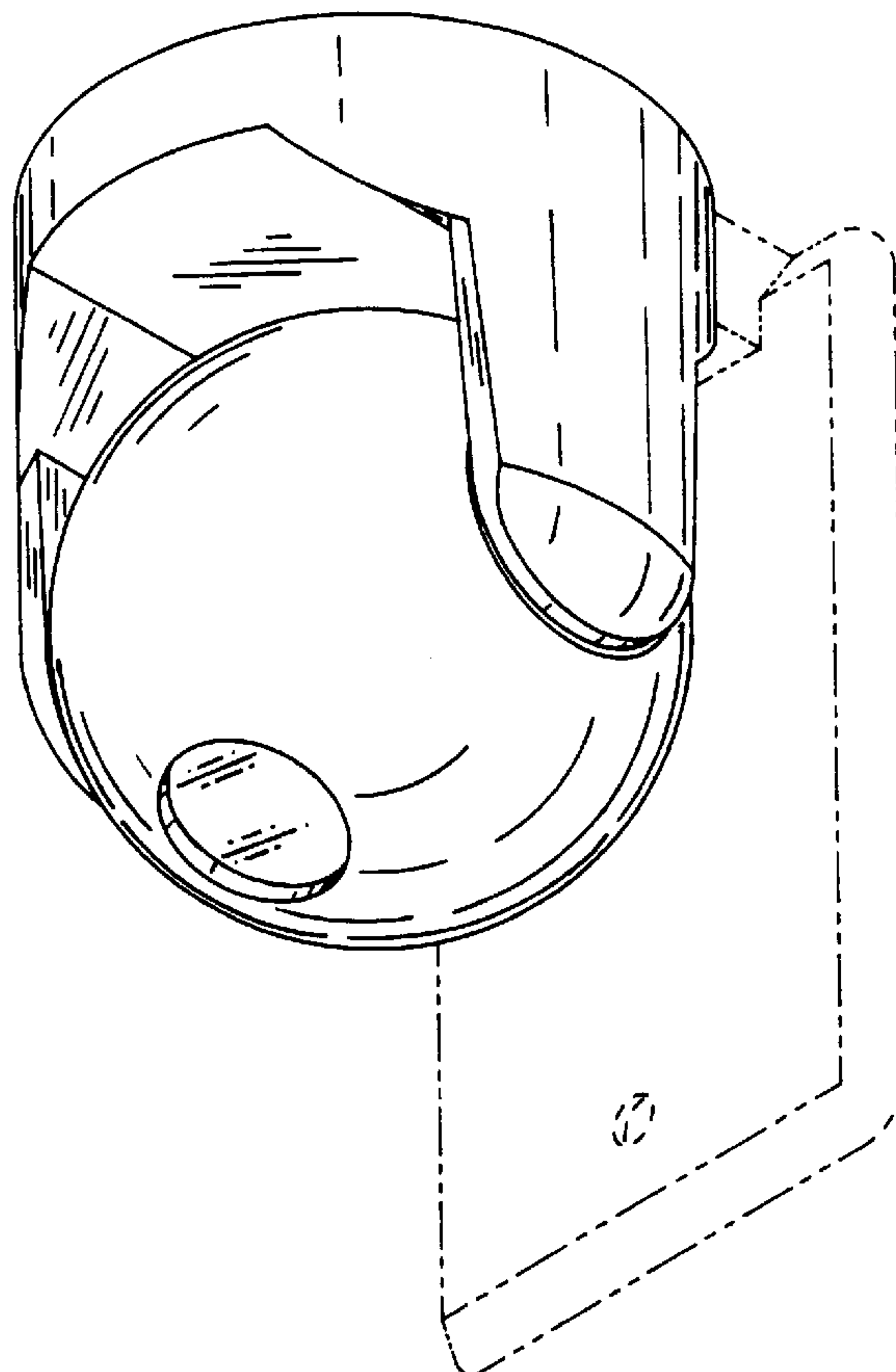


FIG. 1

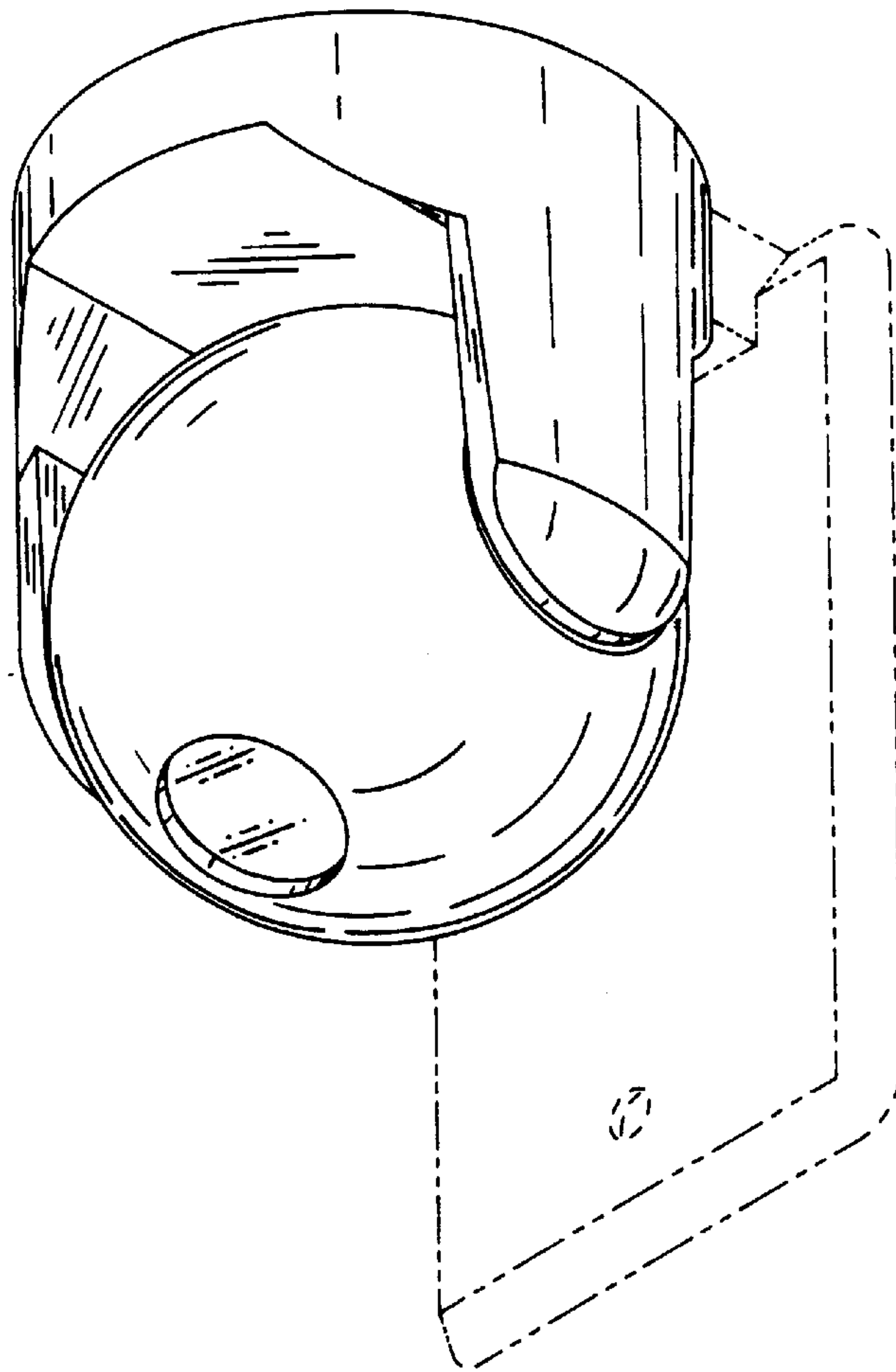


FIG. 2

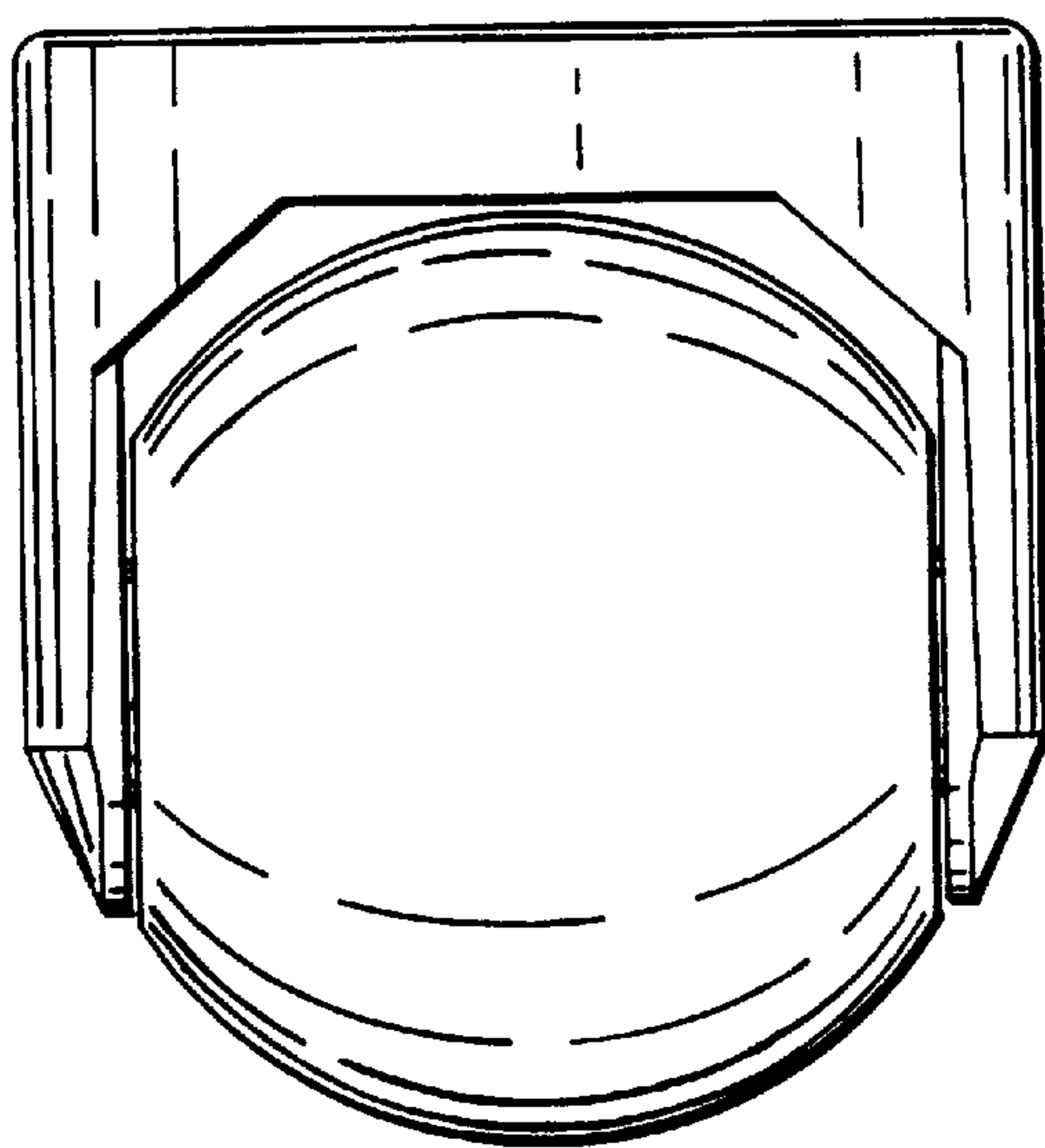


FIG. 3

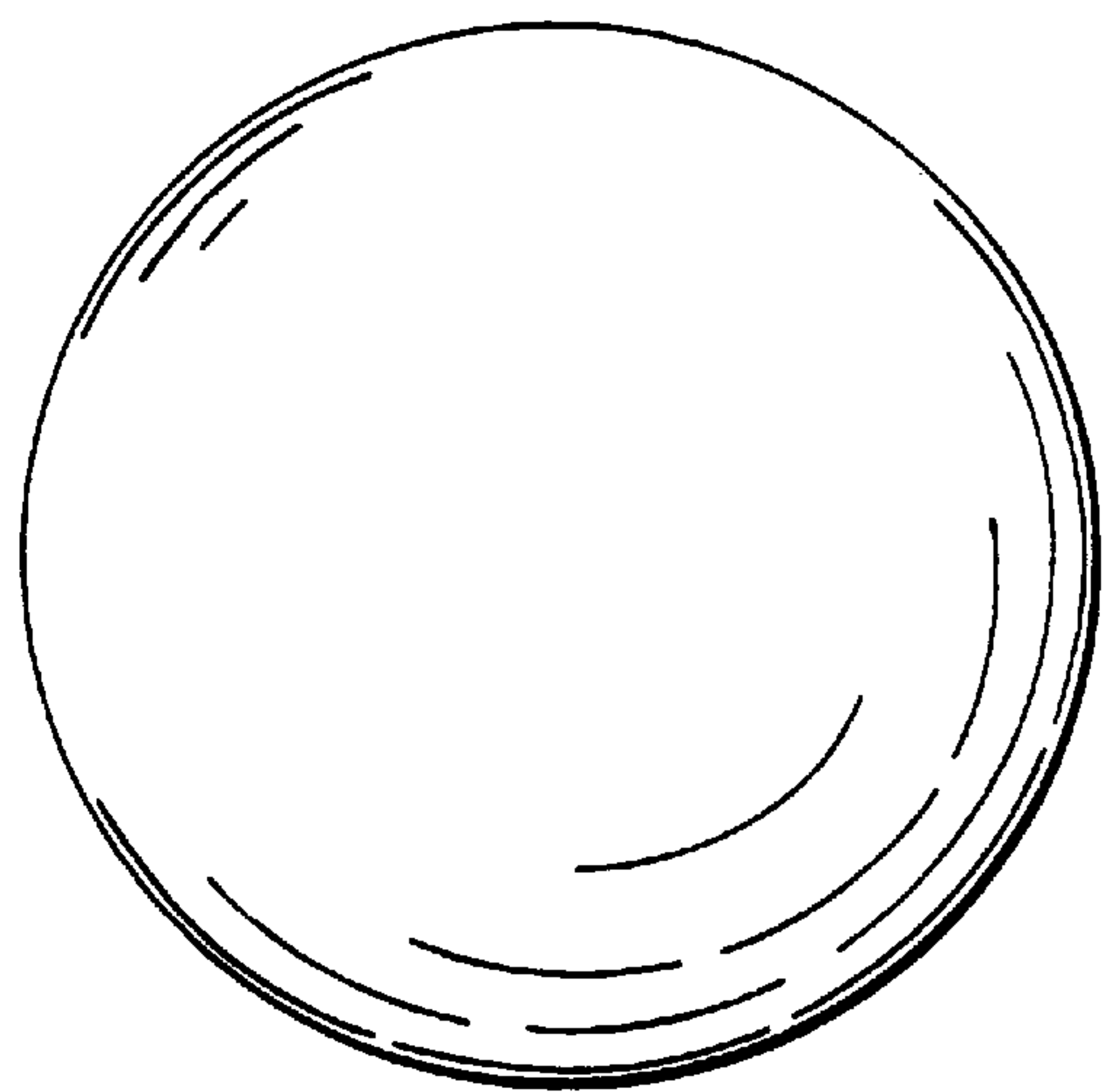


FIG. 4

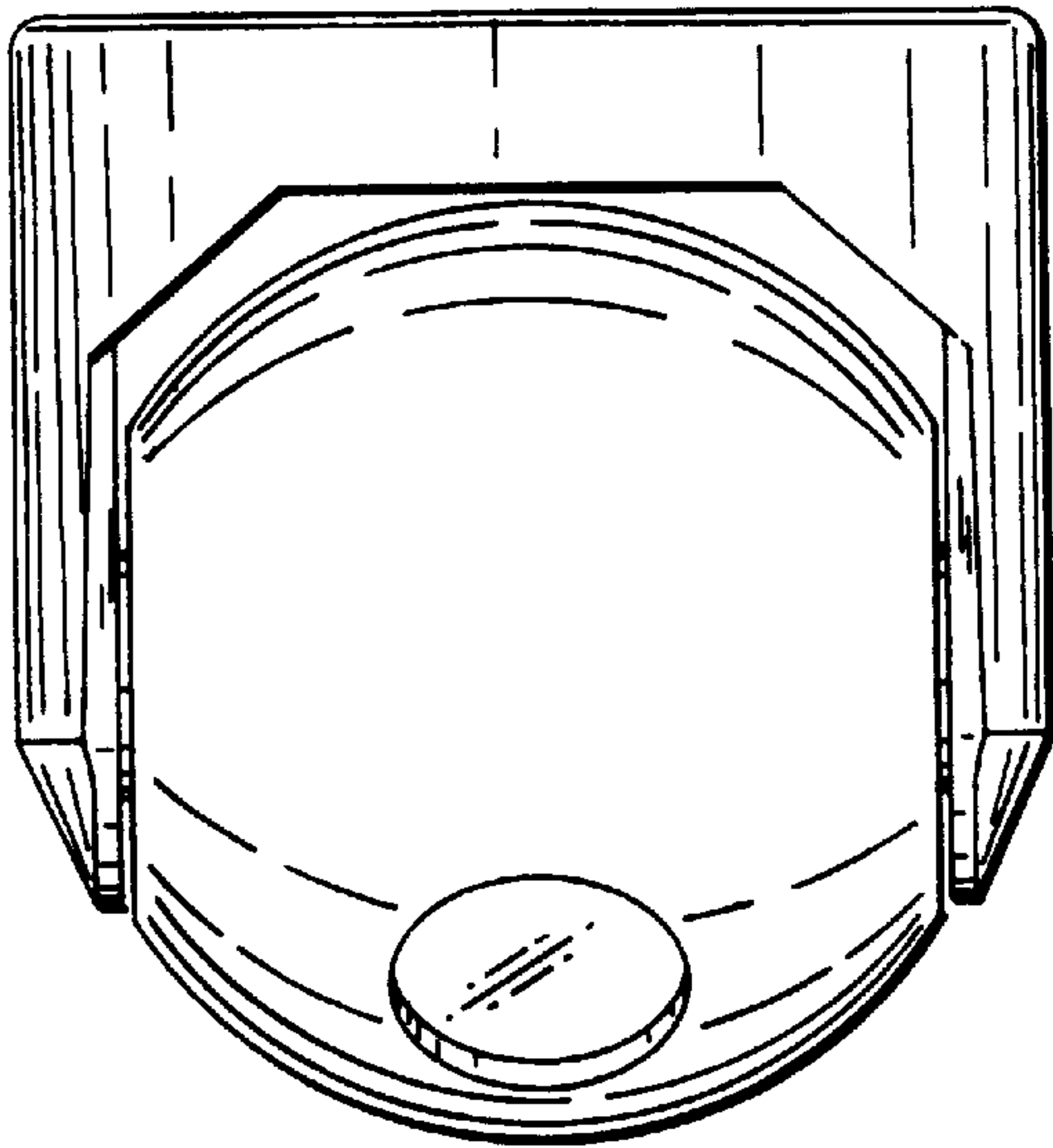


FIG. 5

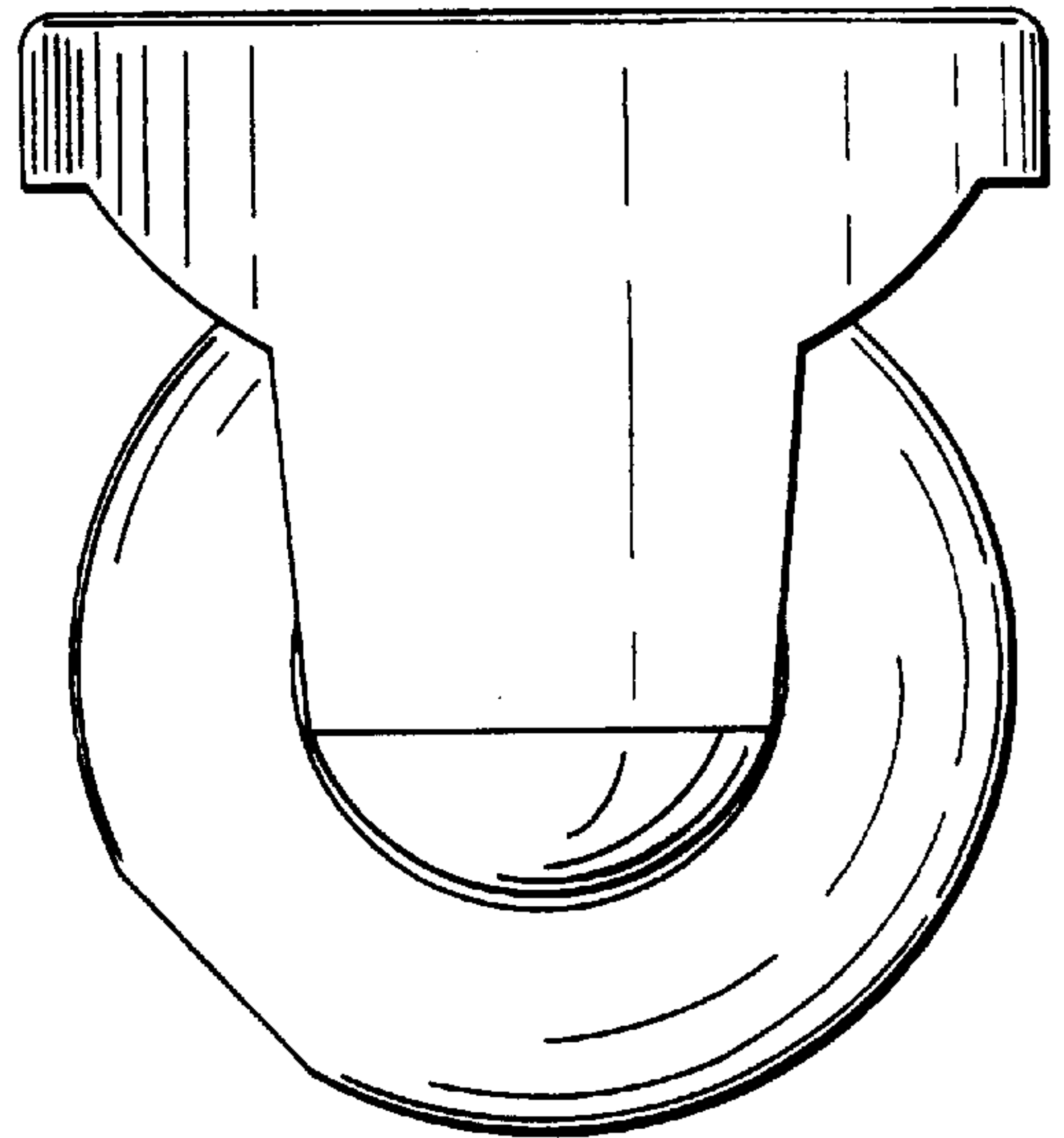


FIG. 6

