



US00D405455S

# United States Patent [19]

Leu et al.

[11] Patent Number: Des. 405,455

[45] Date of Patent: \*\*Feb. 9, 1999

[54] AIR COMPRESSOR

D. 379,996 6/1997 Leu et al. .... D15/9  
D. 382,883 8/1997 Breitzman et al. .... D15/9

[75] Inventors: Shawn A. Leu, Sheboygan; Roy J. Rozek, Plymouth, both of Wis.

Primary Examiner—Ralf Seifert  
Attorney, Agent, or Firm—Quarles & Brady

[73] Assignee: Thomas Industries, Inc., Sheboygan, Wis.

[57] CLAIM

[\*\*] Term: 14 Years

The ornamental design for an air compressor, as shown and described.

[21] Appl. No.: 90,157

### DESCRIPTION

[22] Filed: Jul. 1, 1998

[51] LOC (6) Cl. .... 15-02

[52] U.S. Cl. .... D15/9

[58] Field of Search ..... D15/7-9; 417/239,  
417/229, 321, 410, 411, 265, 415, 405,  
38

FIG. 1 is a top, front and right side perspective view of an air compressor showing our new design; FIG. 2 is a top, front and left side perspective view thereof; FIG. 3 is a front elevational view thereof; FIG. 4 is a left side elevational view thereof; FIG. 5 is a rear elevational view thereof; FIG. 6 is a right side elevational view thereof; FIG. 7 is a top plan view thereof; and, FIG. 8 is a bottom plan view thereof.

### [56] References Cited

#### U.S. PATENT DOCUMENTS

D. 293,682 1/1988 Liou ..... D15/9  
D. 295,754 5/1988 Wang ..... D15/9  
D. 298,832 12/1988 Dunlap ..... D15/9  
D. 303,393 9/1989 Mariol ..... D15/9  
D. 377,967 2/1997 Rozek et al. .... D15/9

The broken line representations of holes and fitting in FIGS. 1-8, and of interior structure in FIGS. 1, 4 and 6, are for purposes of illustration only, and form no part of the claimed design.

1 Claim, 8 Drawing Sheets

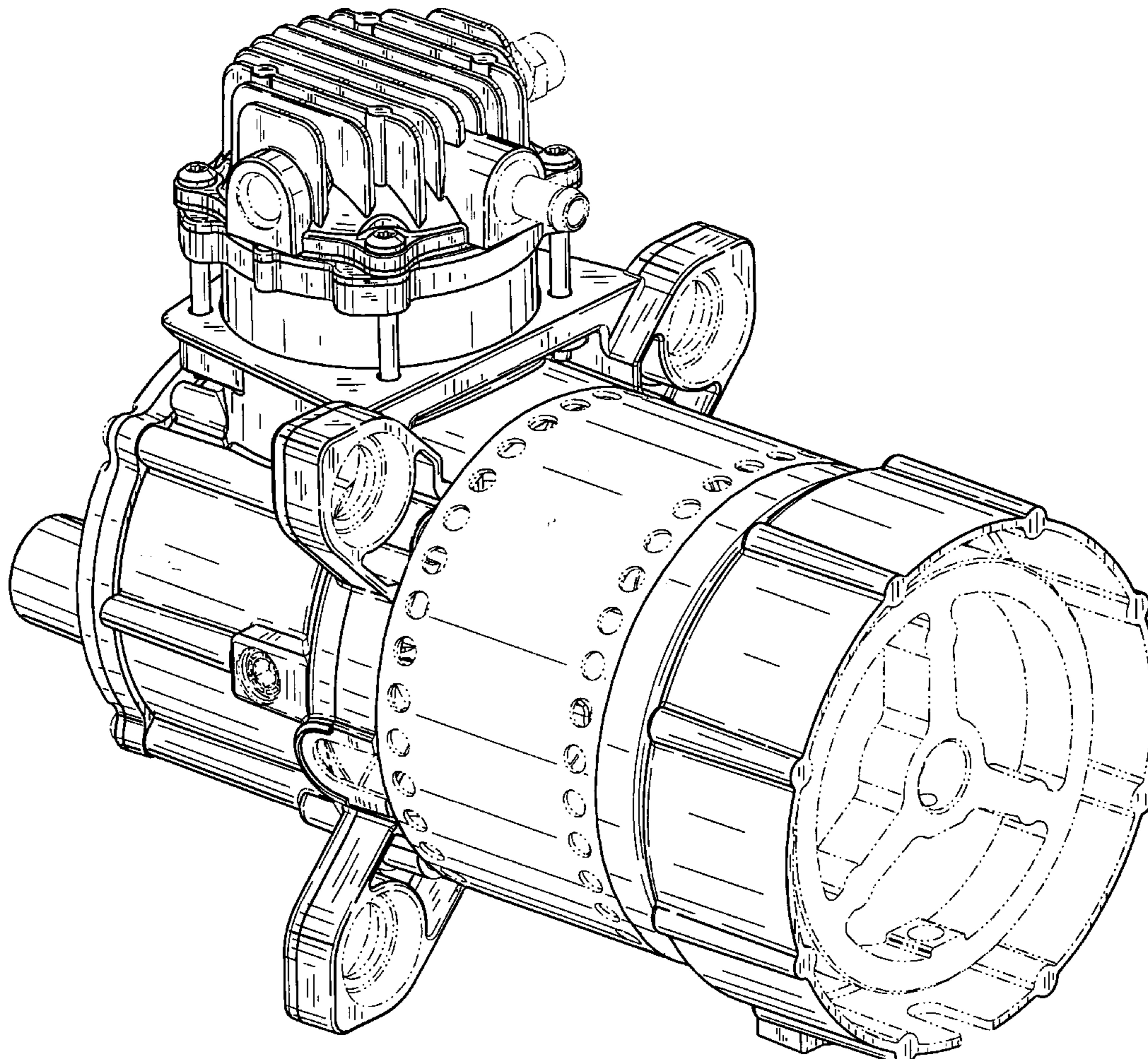
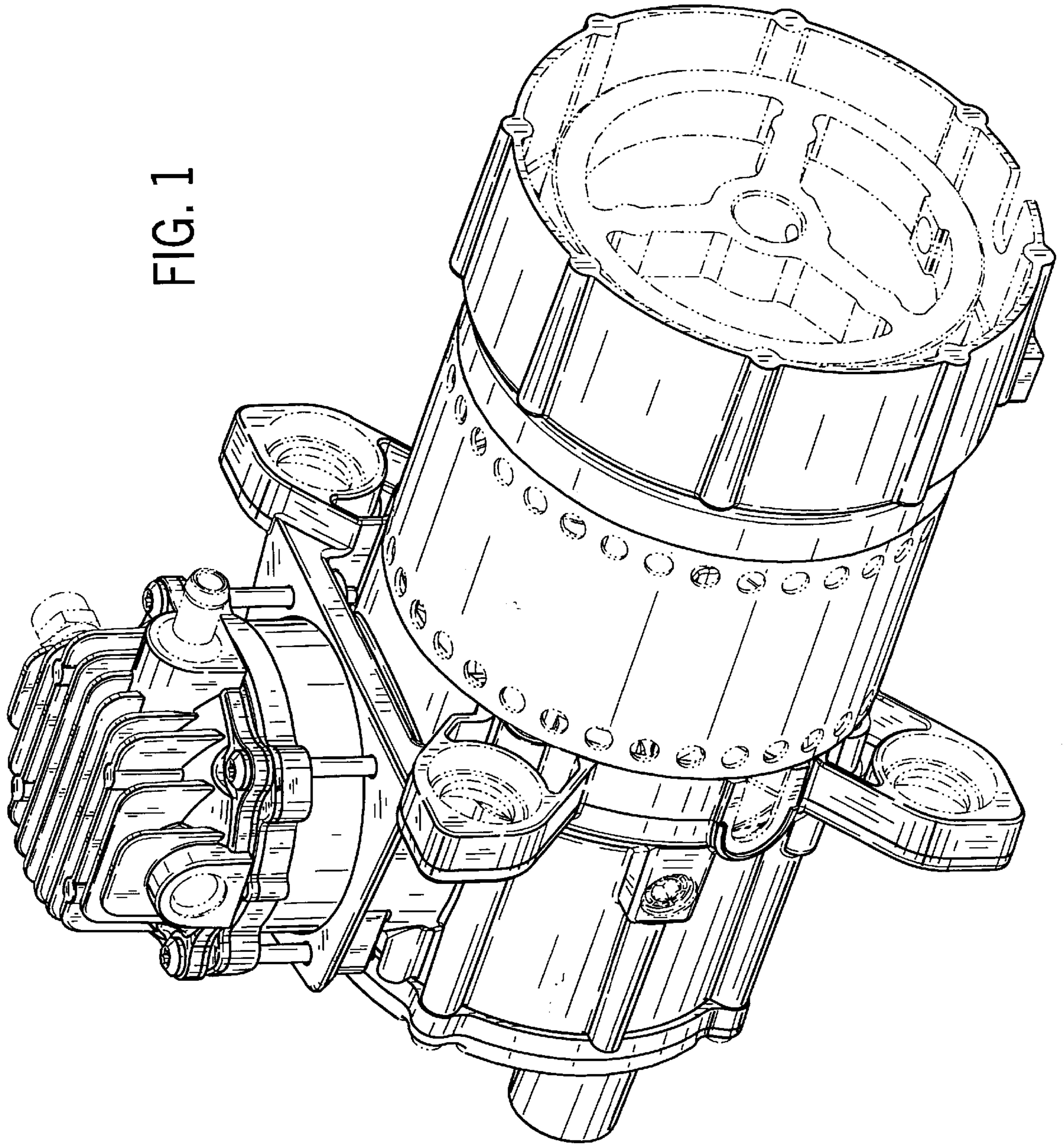


FIG. 1





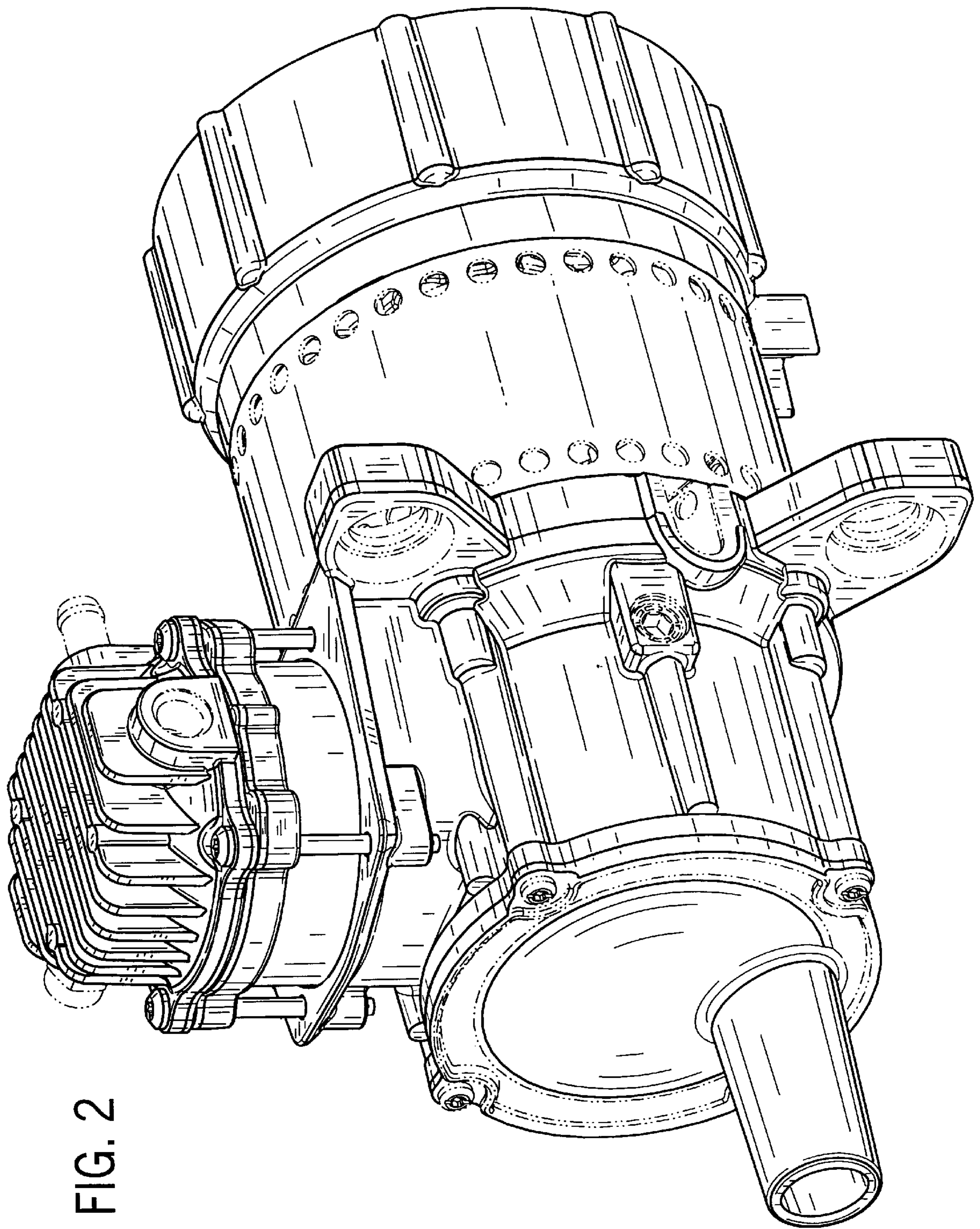


FIG. 2

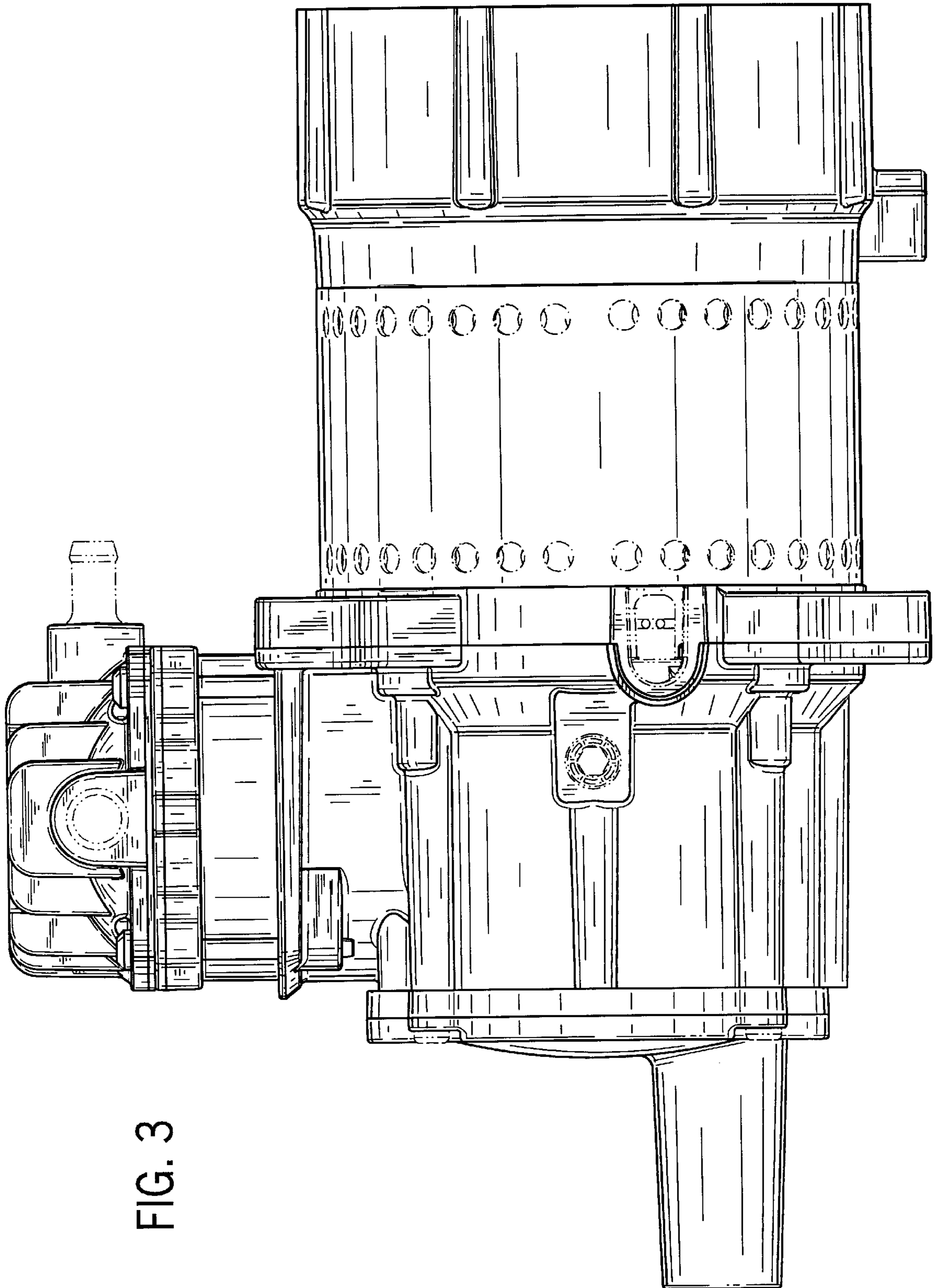


FIG. 3

FIG. 4

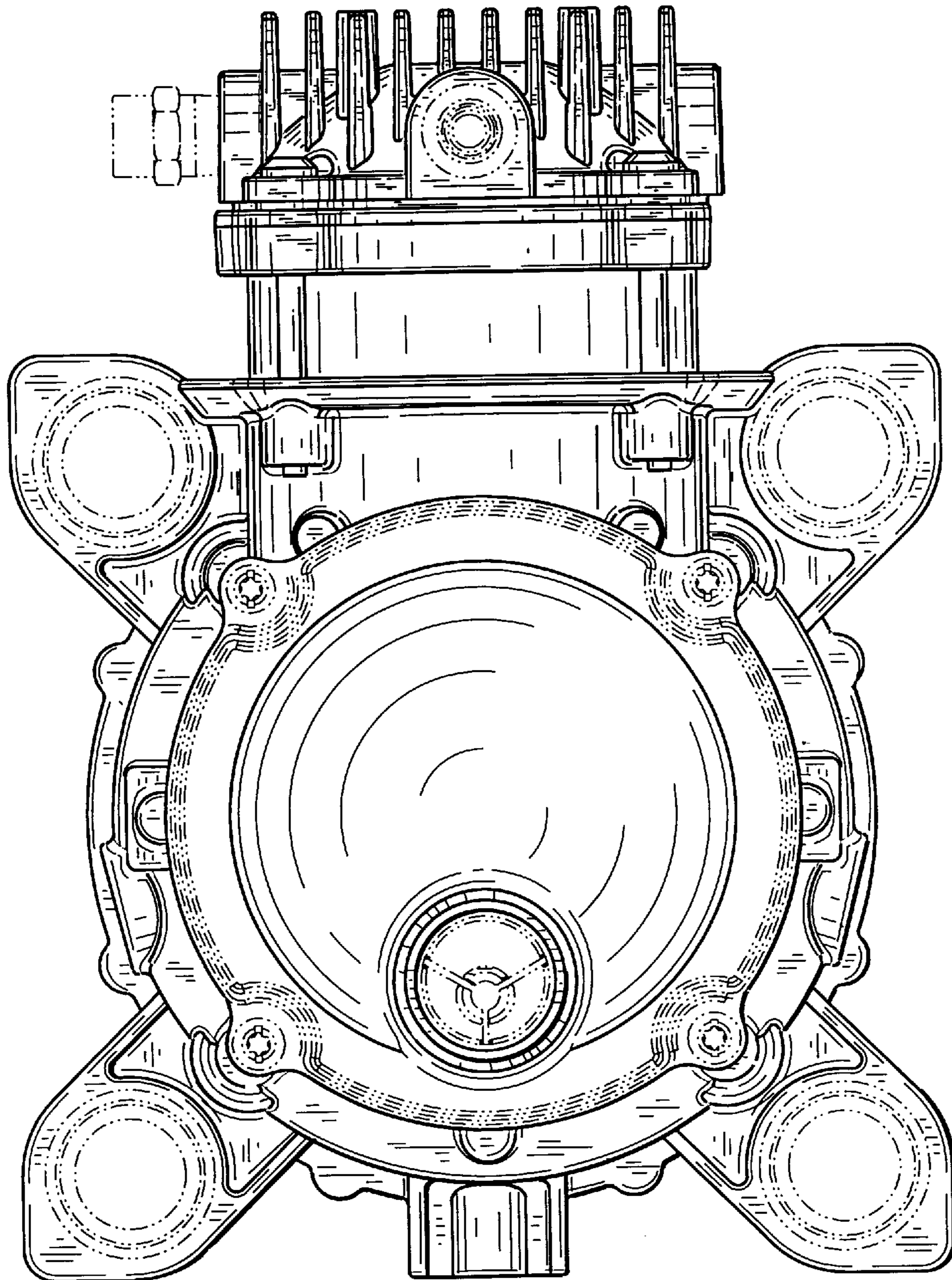




FIG. 5

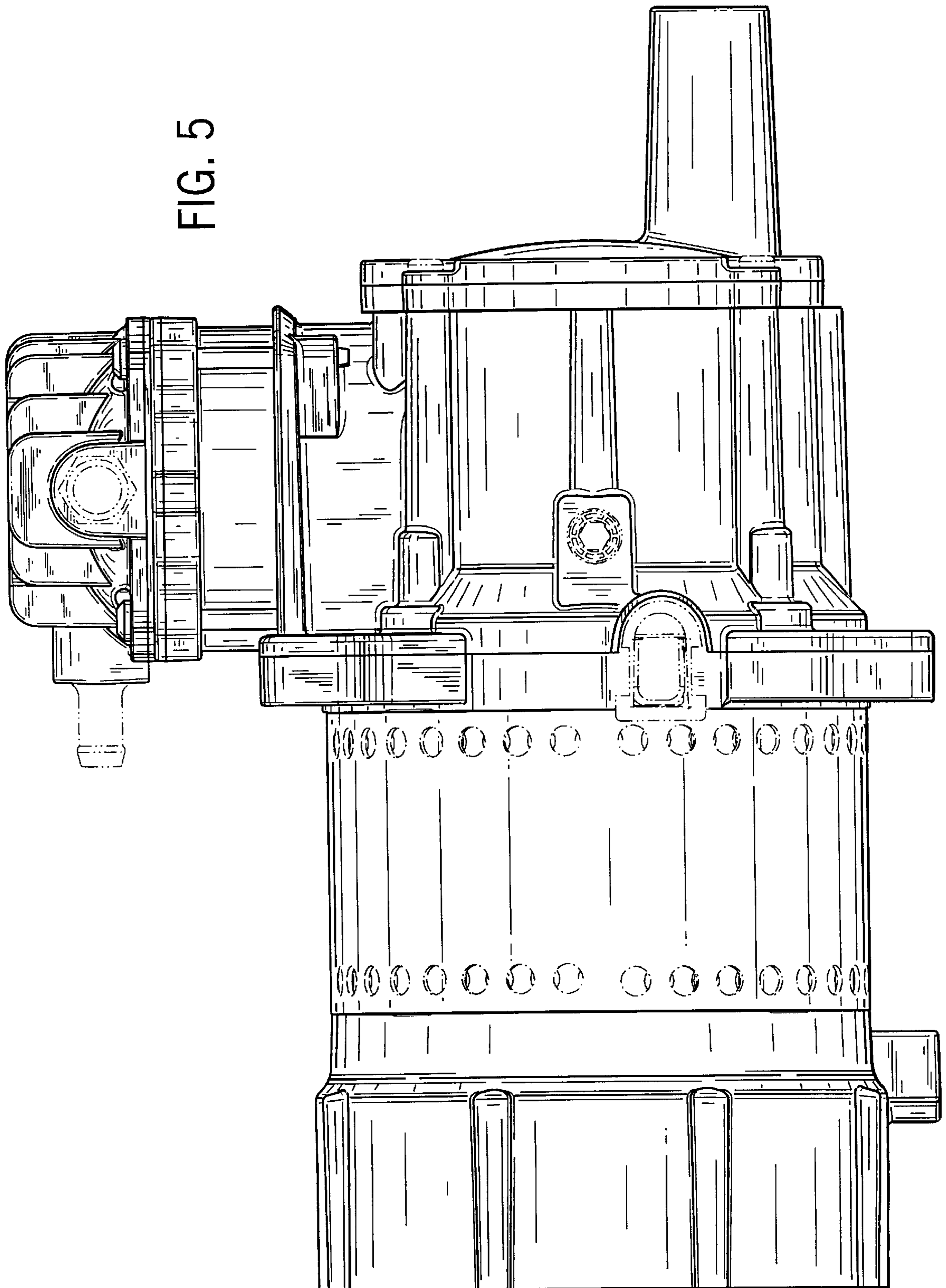
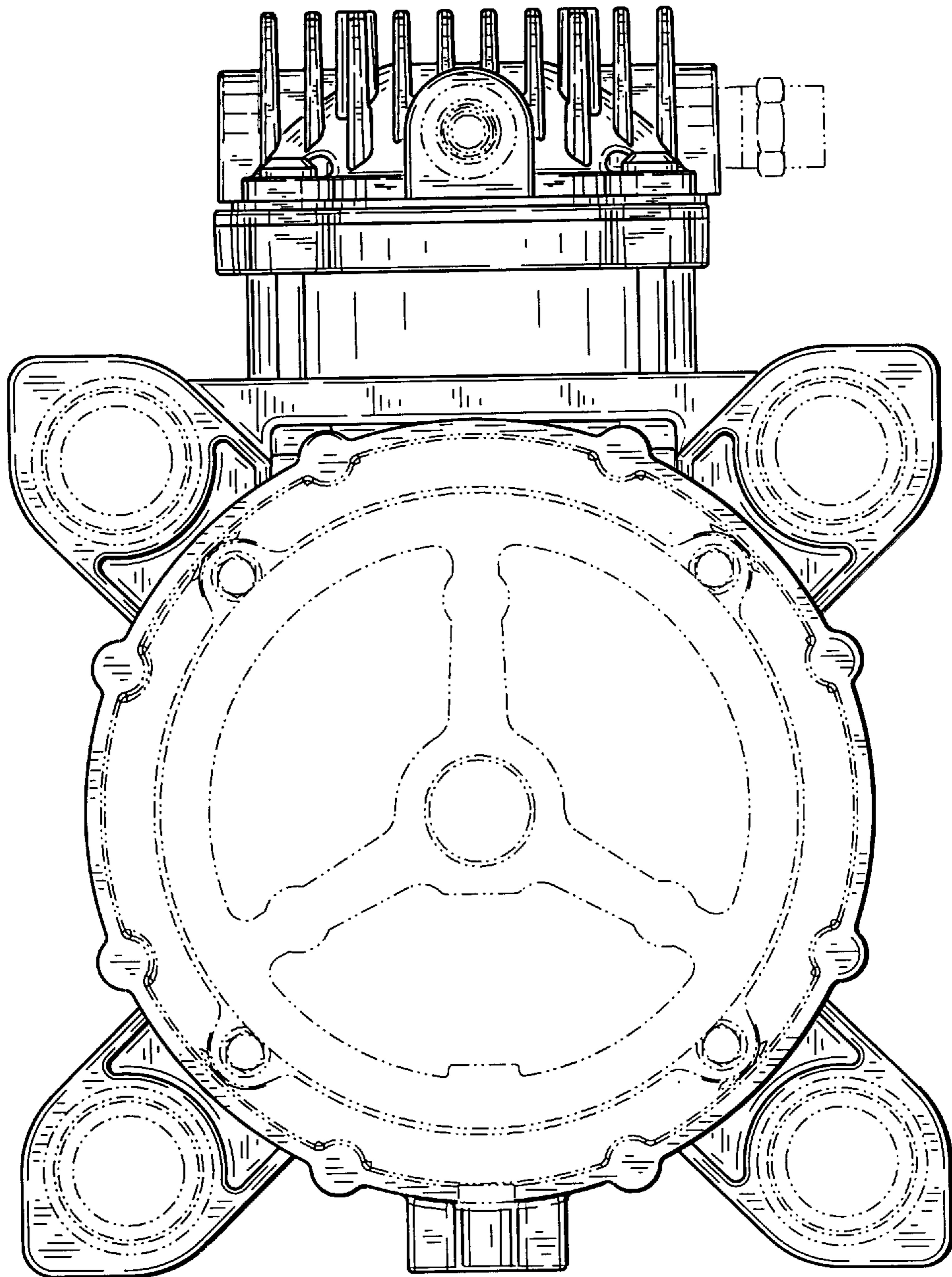


FIG. 6



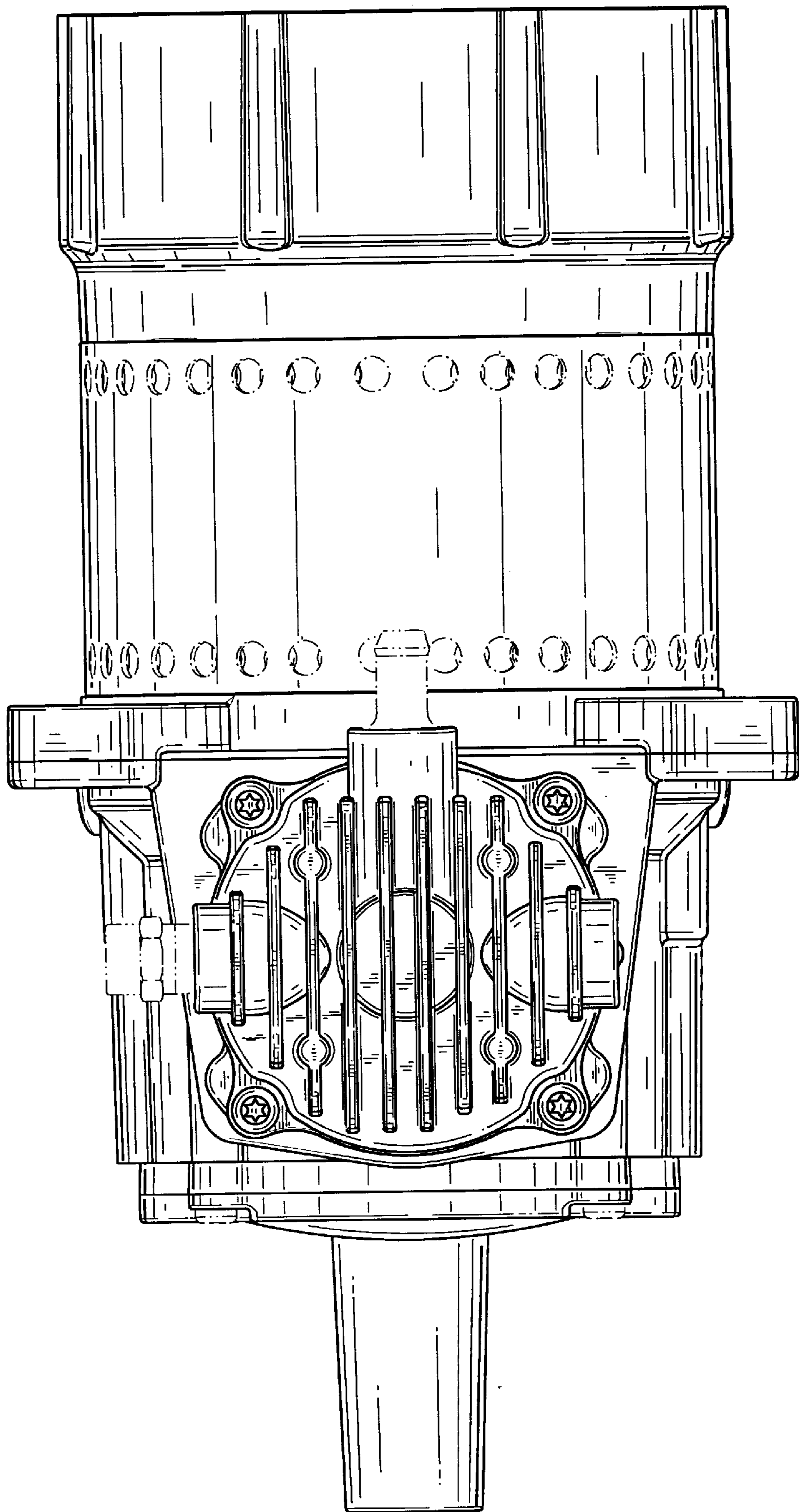


FIG. 7



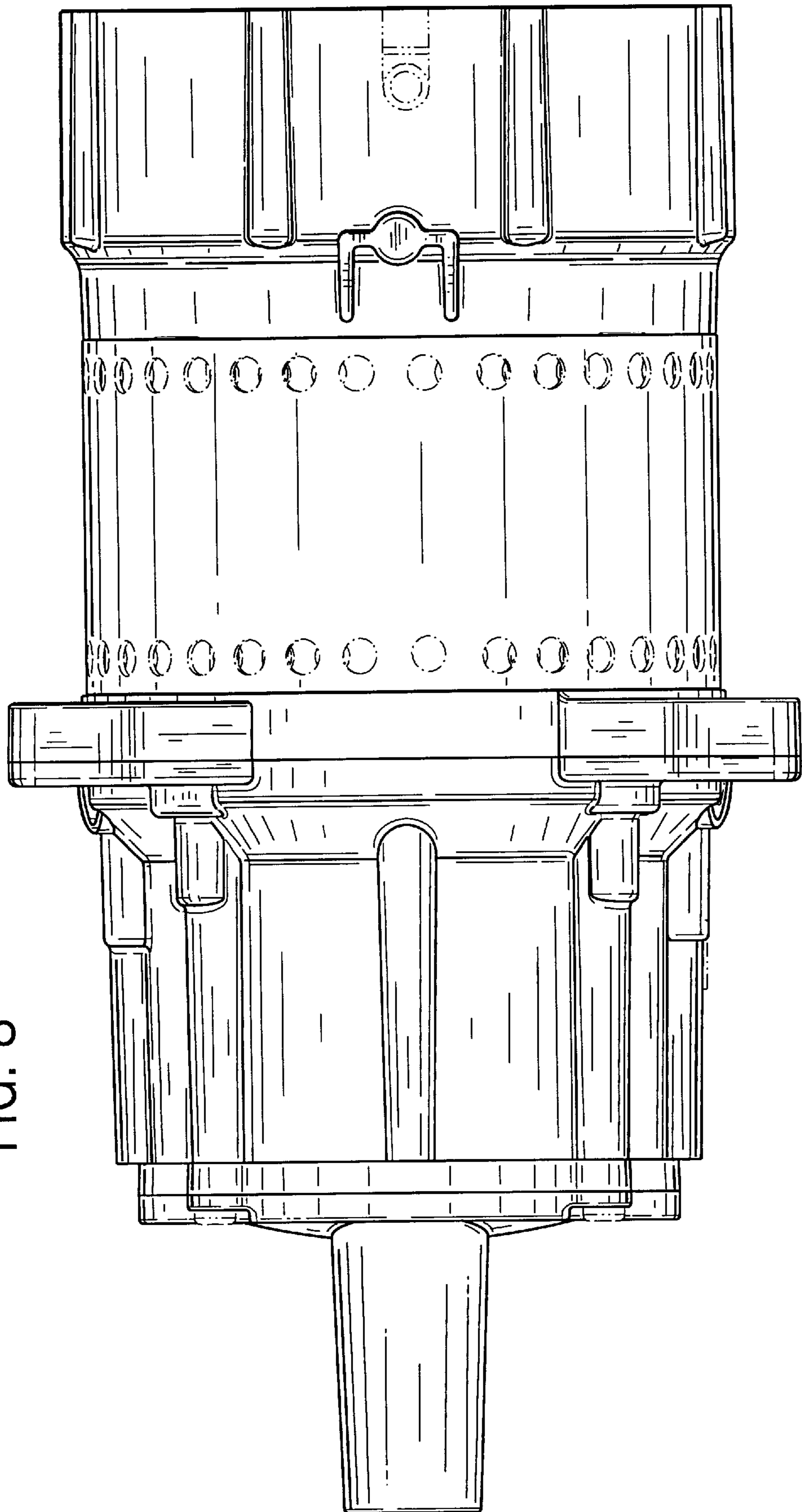


FIG. 8