



US00D405454S

# United States Patent [19] Bowen

[11] **Patent Number: Des. 405,454**

[45] **Date of Patent: \*\*Feb. 9, 1999**

[54] **GROUT PUMP**

[75] Inventor: **Jeffrey L. Bowen**, Aurelia, Iowa

[73] Assignee: **Geo-Loop Inc.**, Aurelia, Iowa

[\*\*] Term: **14 Years**

[21] Appl. No.: **75,791**

[22] Filed: **Aug. 25, 1997**

[51] **LOC (6) Cl.** ..... **15-02**

[52] **U.S. Cl.** ..... **D15/7**

[58] **Field of Search** ..... D15/7, 9; 417/405-409;  
418/40; 415/219 R, DIG. 6

[56] **References Cited**

**U.S. PATENT DOCUMENTS**

- D. 240,272 6/1976 Philpott ..... D15/7
- D. 292,978 12/1987 Hansen et al. .... D15/7
- D. 294,947 3/1988 Wilden .
- D. 325,387 4/1992 Rupe .

- D. 331,412 12/1992 Wilden ..... D15/7
- 4,406,595 9/1983 Robertson et al. .
- 4,439,200 3/1984 Meyer et al. .
- 5,055,007 10/1991 Geddings .

*Primary Examiner*—Ralf Seifert  
*Attorney, Agent, or Firm*—Zarley, McKee, Thomte, Voorhees & Sease

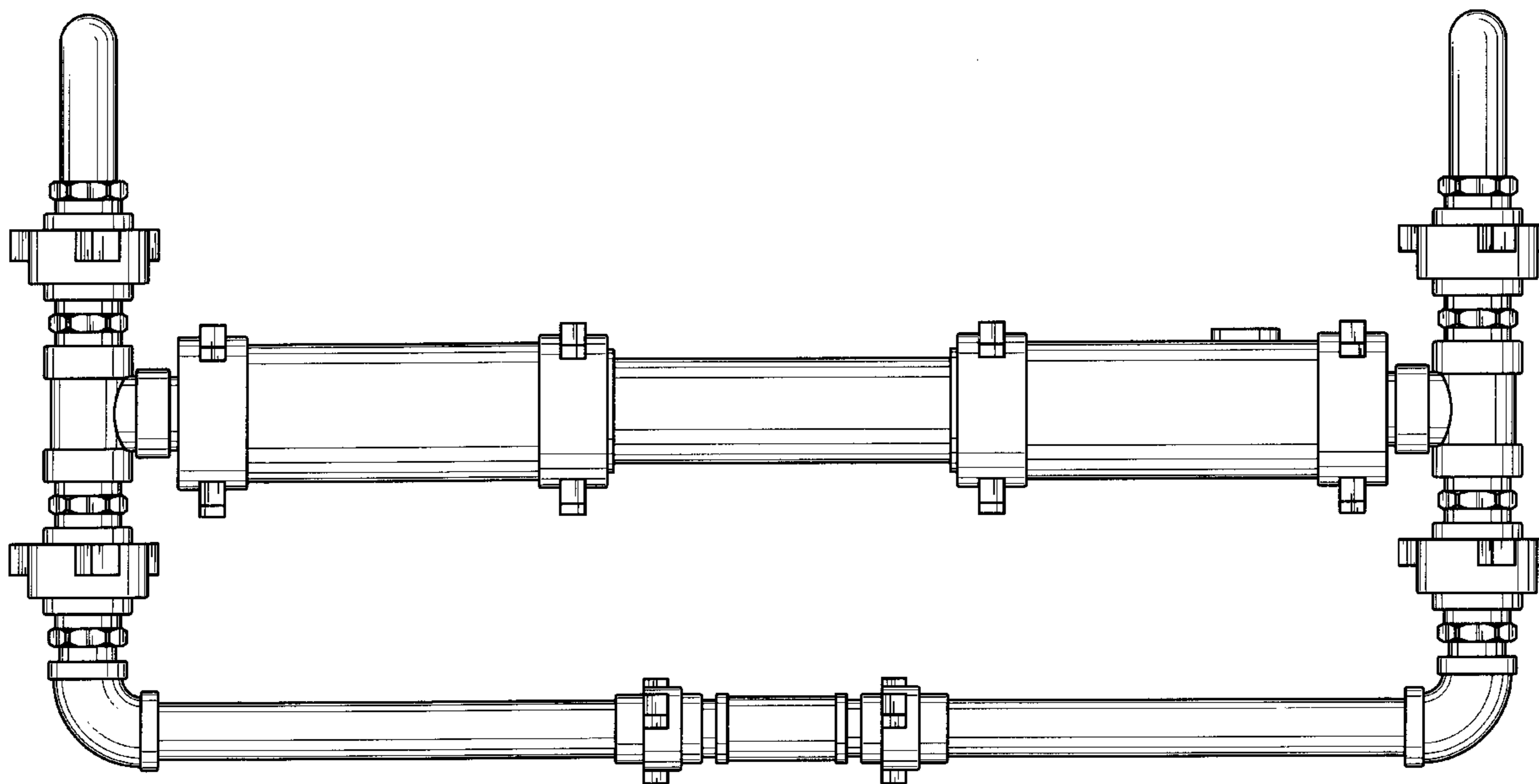
[57] **CLAIM**

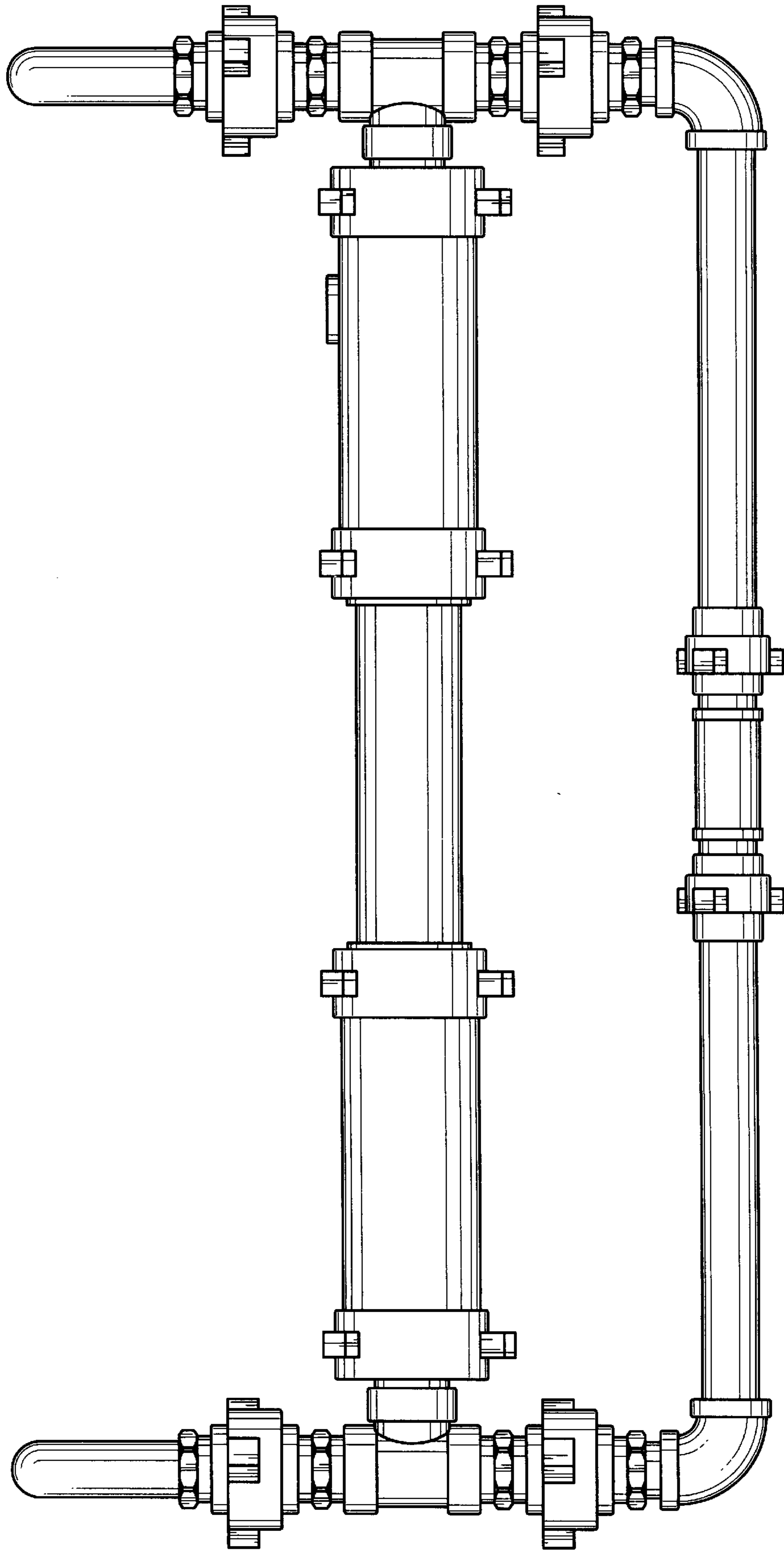
I claim the ornamental design for a grout pump, as shown.

**DESCRIPTION**

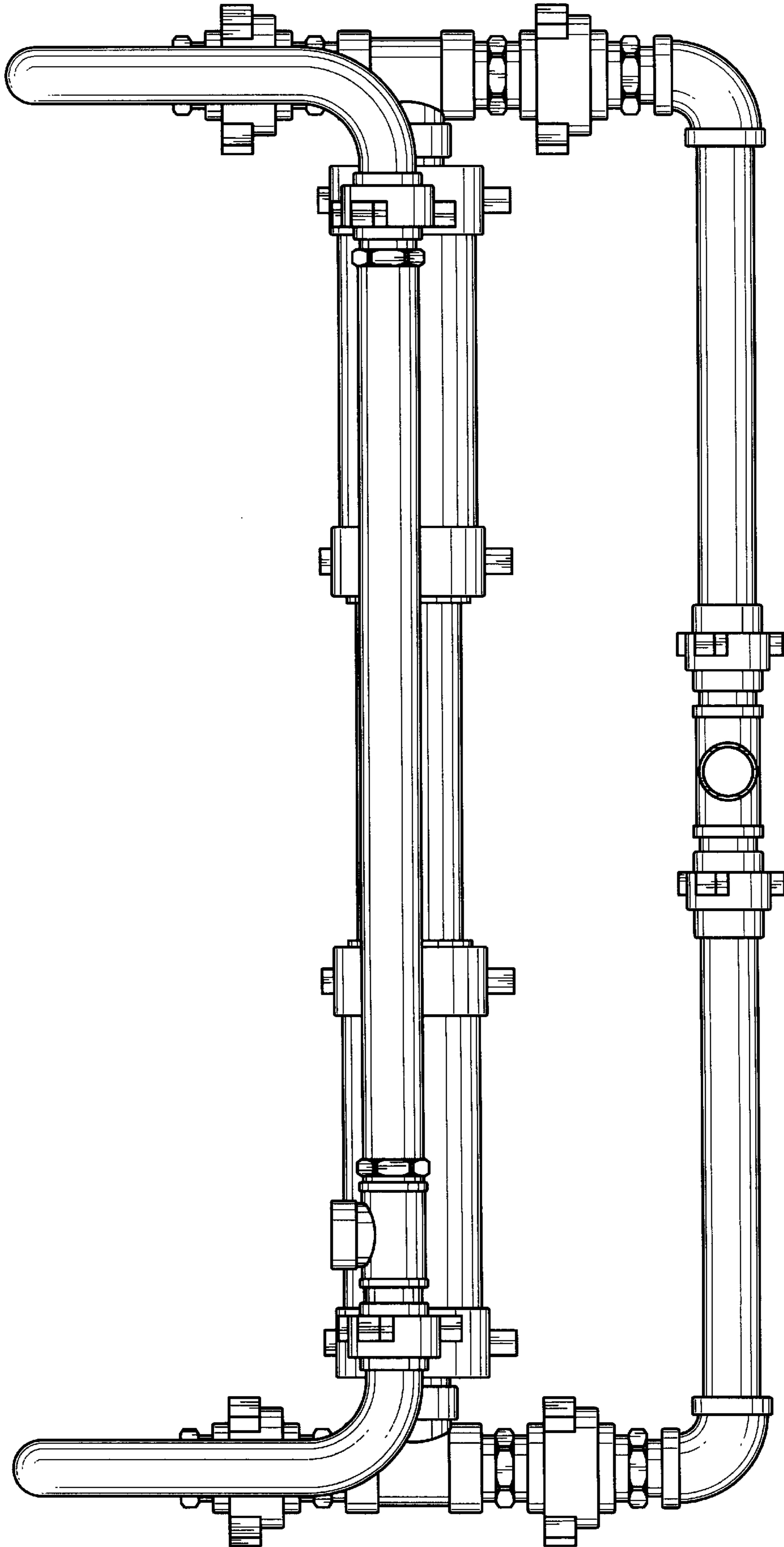
FIG. 1 is a front elevational view of a grout pump showing my new design;  
 FIG. 2 is a rear elevational view thereof;  
 FIG. 3 is a typical end elevational view shown at an enlarged scale as seen from the left-hand end of FIG. 1;  
 FIG. 4 is a top plan view thereof; and,  
 FIG. 5 is a bottom plan view thereof.

**1 Claim, 4 Drawing Sheets**

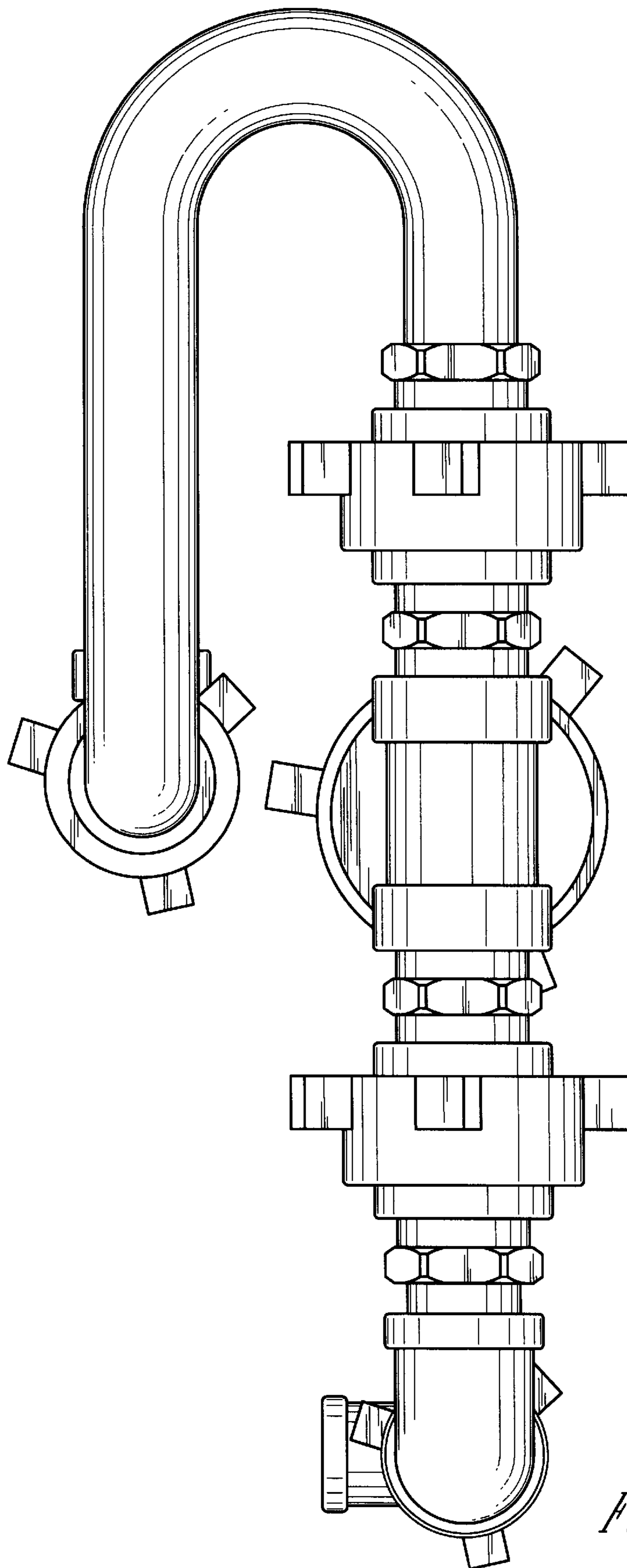




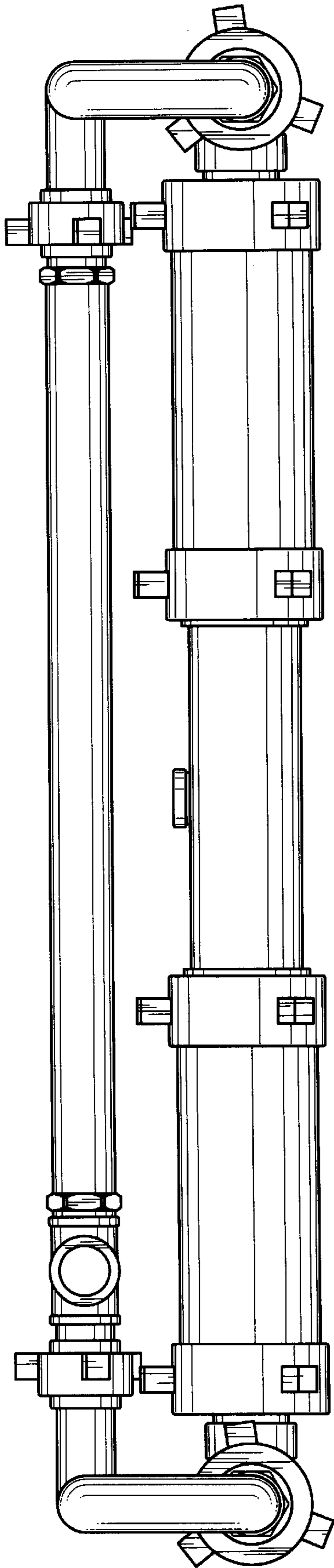
*Fig. 1*



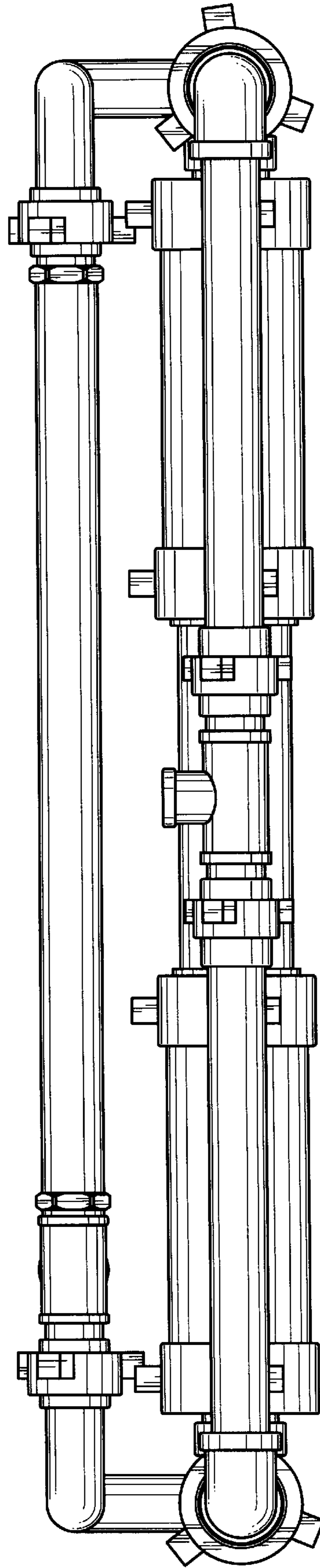
*Fig. 2*



*Fig. 3*



*Fig. 4*



*Fig. 5*