



US00D405453S

United States Patent [19]
Richter

[11] **Patent Number: Des. 405,453**

[45] **Date of Patent: ***Feb. 9, 1999**

[54] **MOBILE TELEPHONE HOLDER**
[76] Inventor: **Herbert Richter**, Drosselweg 8, 75331 Engelbrand, Germany
[**] Term: **14 Years**
[*] Notice: The term of this patent shall not extend beyond the expiration date of Pat. No. D. 379,463.

D. 391,265 2/1998 Richter D14/253
D. 391,266 2/1998 Richter D14/253

Primary Examiner—Jeffrey Asch
Attorney, Agent, or Firm—Klaus J. Bach

[21] Appl. No.: **82,613**
[22] Filed: **Jan. 27, 1998**

[57] **CLAIM**
The ornamental design for a mobile telephone holder, as shown and described.

Related U.S. Application Data

DESCRIPTION

[62] Division of Ser. No. 73,523, Jul. 14, 1997, Pat. No. Des. 391,266.
[51] **LOC (6) Cl.** **14-03**
[52] **U.S. Cl.** **D14/253**
[58] **Field of Search** D14/251, 253, D14/140, 240, 149–151, 100, 107, 114, 142, 138, 137; D13/107, 108; 379/419, 420, 428, 440, 454, 455, 446

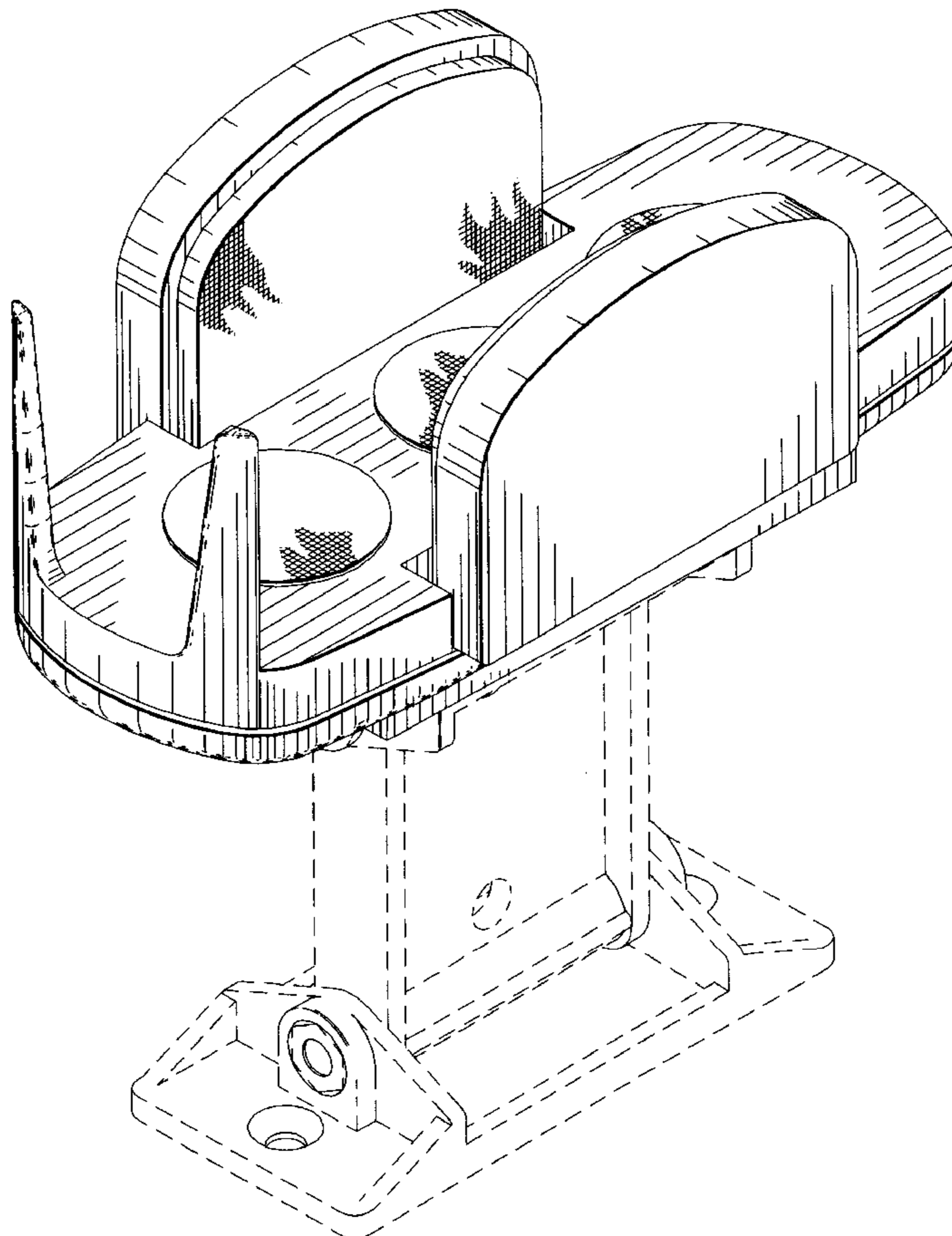
FIG. 1 is a perspective view of a mobile telephone holder showing my new design;
FIG. 2 is a front end view of the mobile telephone holder shown in FIG. 1;
FIG. 3 is a rear end view of the mobile telephone holder shown in FIG. 1;
FIG. 4 is a side view of the mobile telephone holder as seen from the left side of FIG. 3;
FIG. 5 is a side view of the mobile telephone holder as seen from the right side of FIG. 3;
FIG. 6 is a top view of the mobile telephone holder shown in FIG. 1; and
FIG. 7 is a bottom view of the mobile telephone holder shown in FIG. 1.

[56] **References Cited**
U.S. PATENT DOCUMENTS

The broken line showings throughout the views are for illustrative purposes only and form no part of the claimed design.

D. 379,463 5/1997 Richter D14/253
D. 388,795 1/1998 Richter D14/253

1 Claim, 5 Drawing Sheets



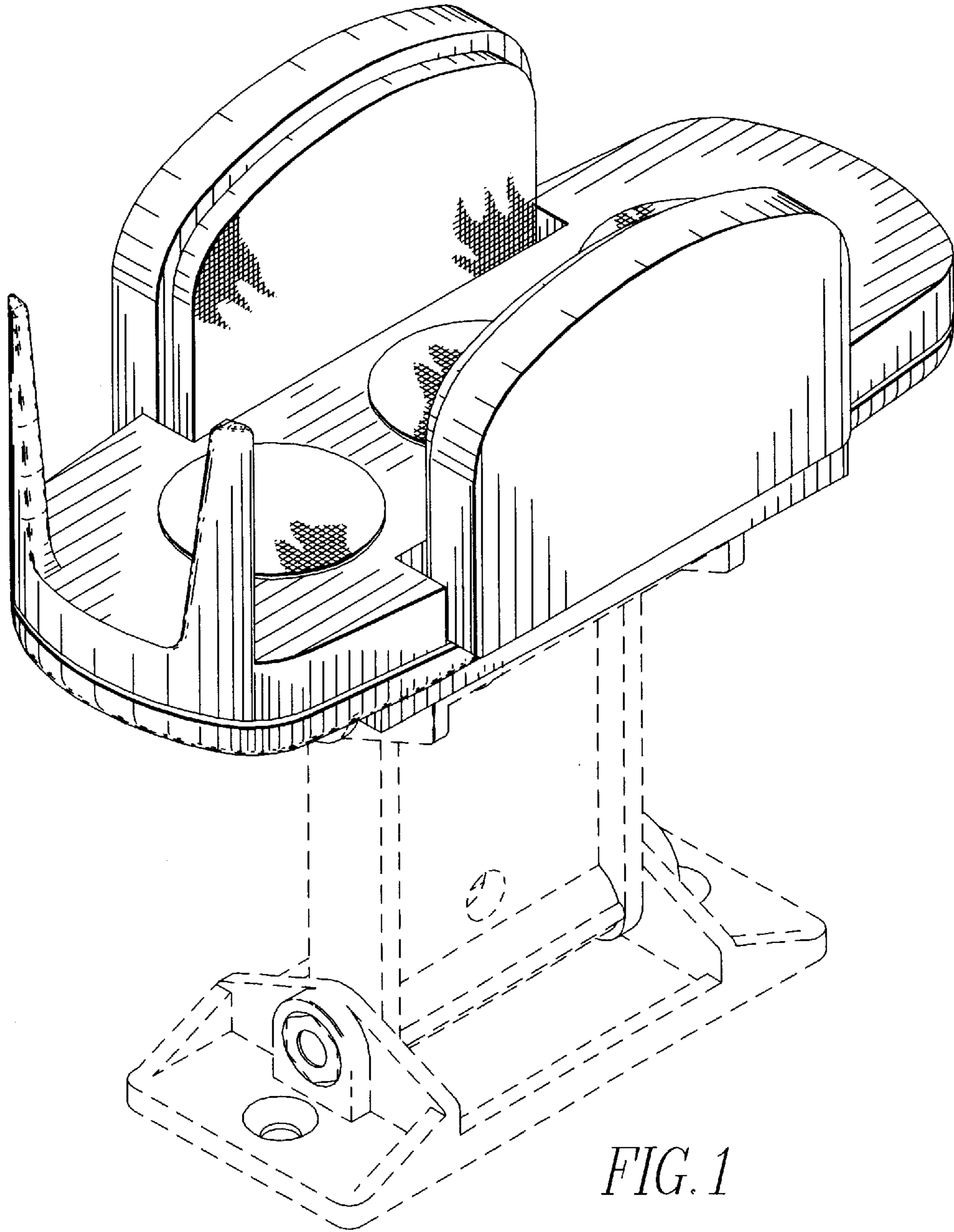


FIG. 1

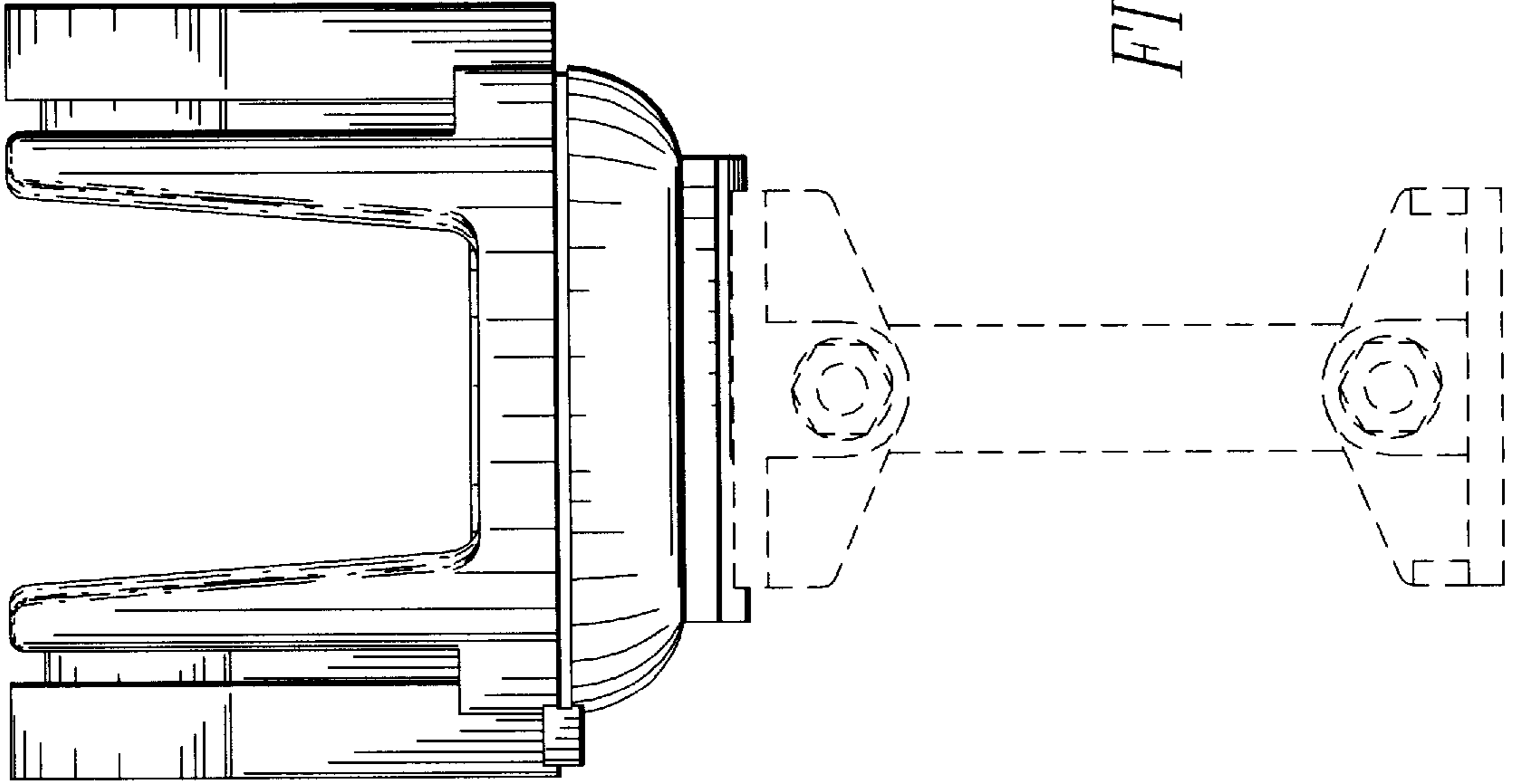


FIG. 3

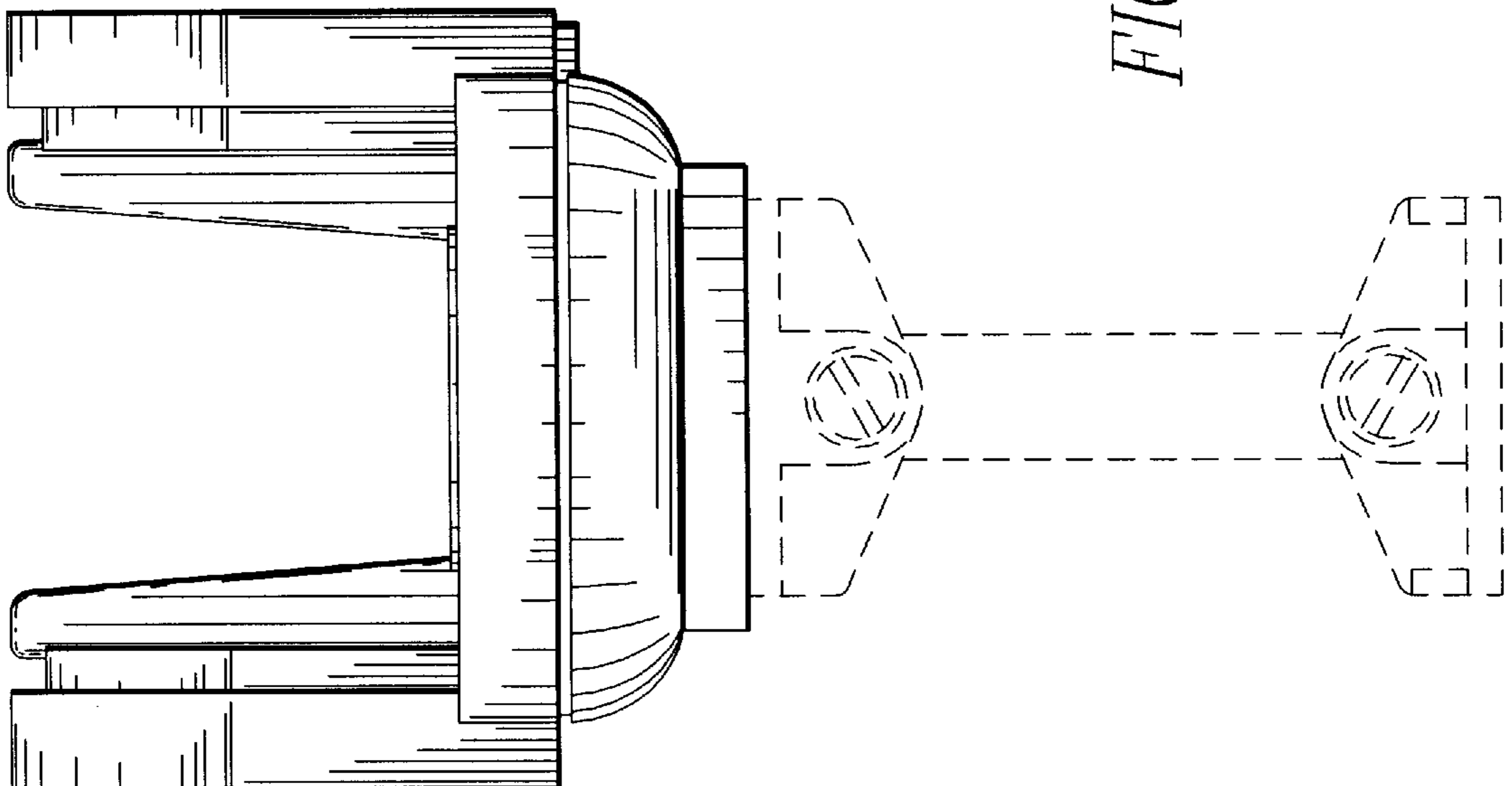


FIG. 2

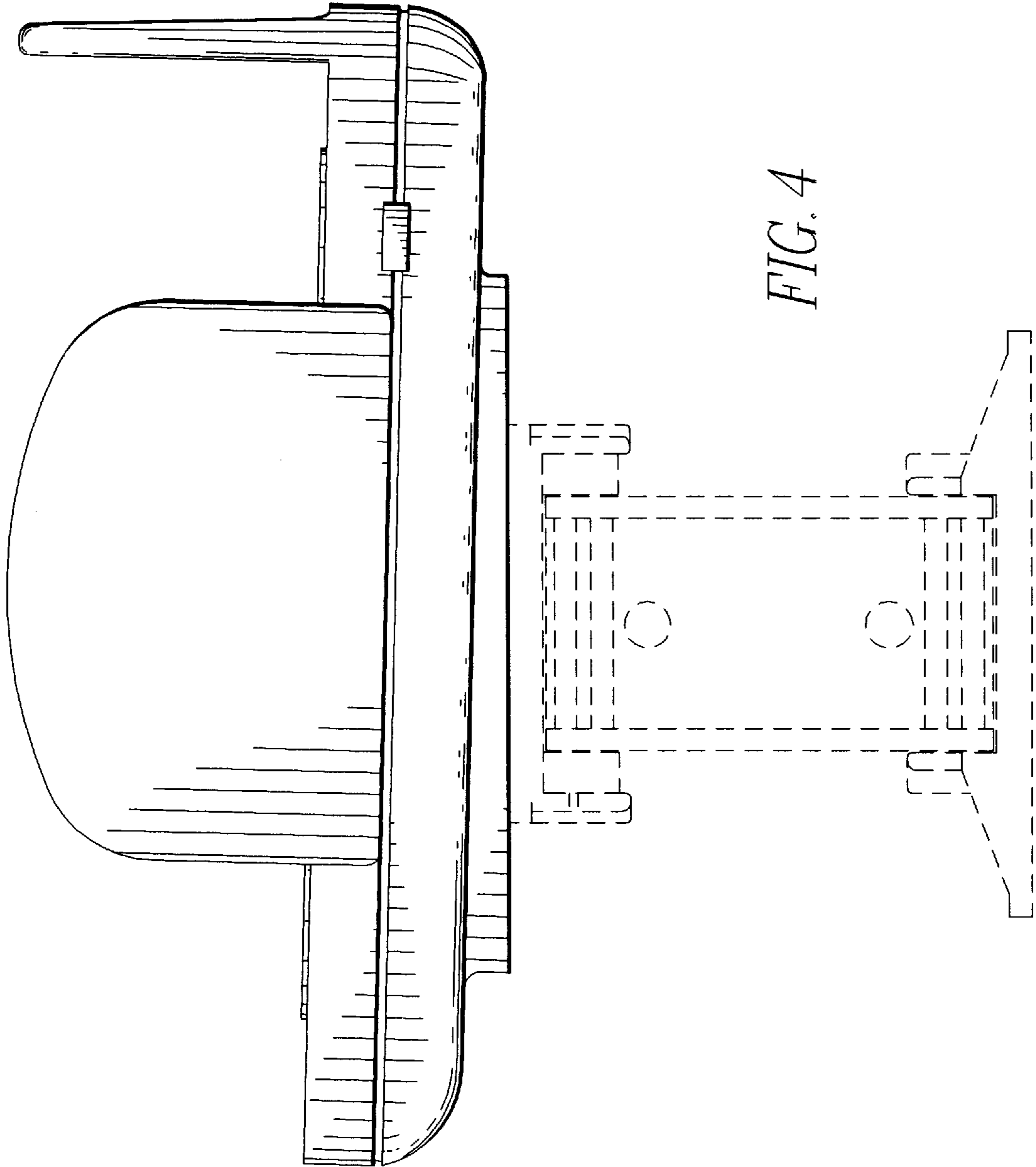
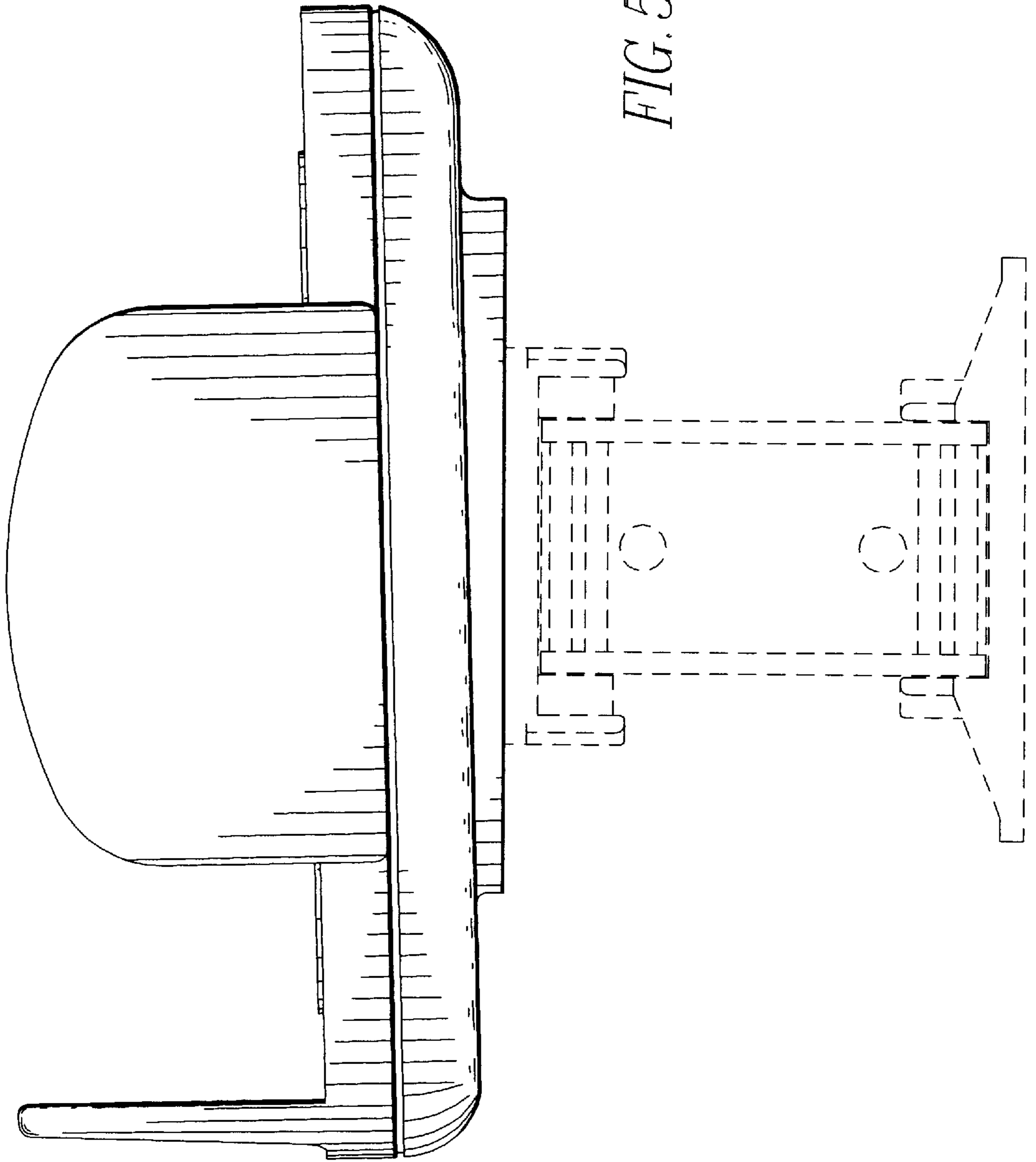


FIG. 4



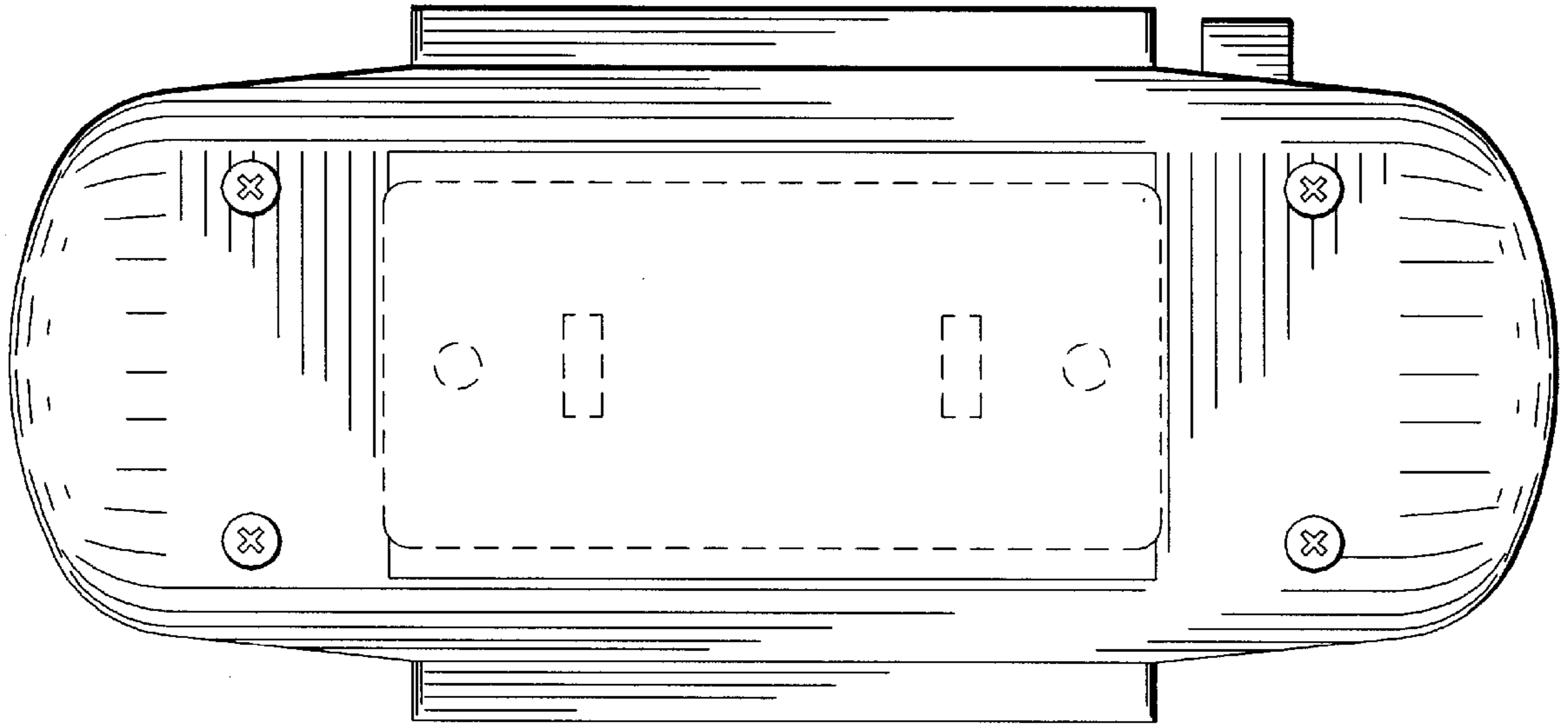


FIG. 7

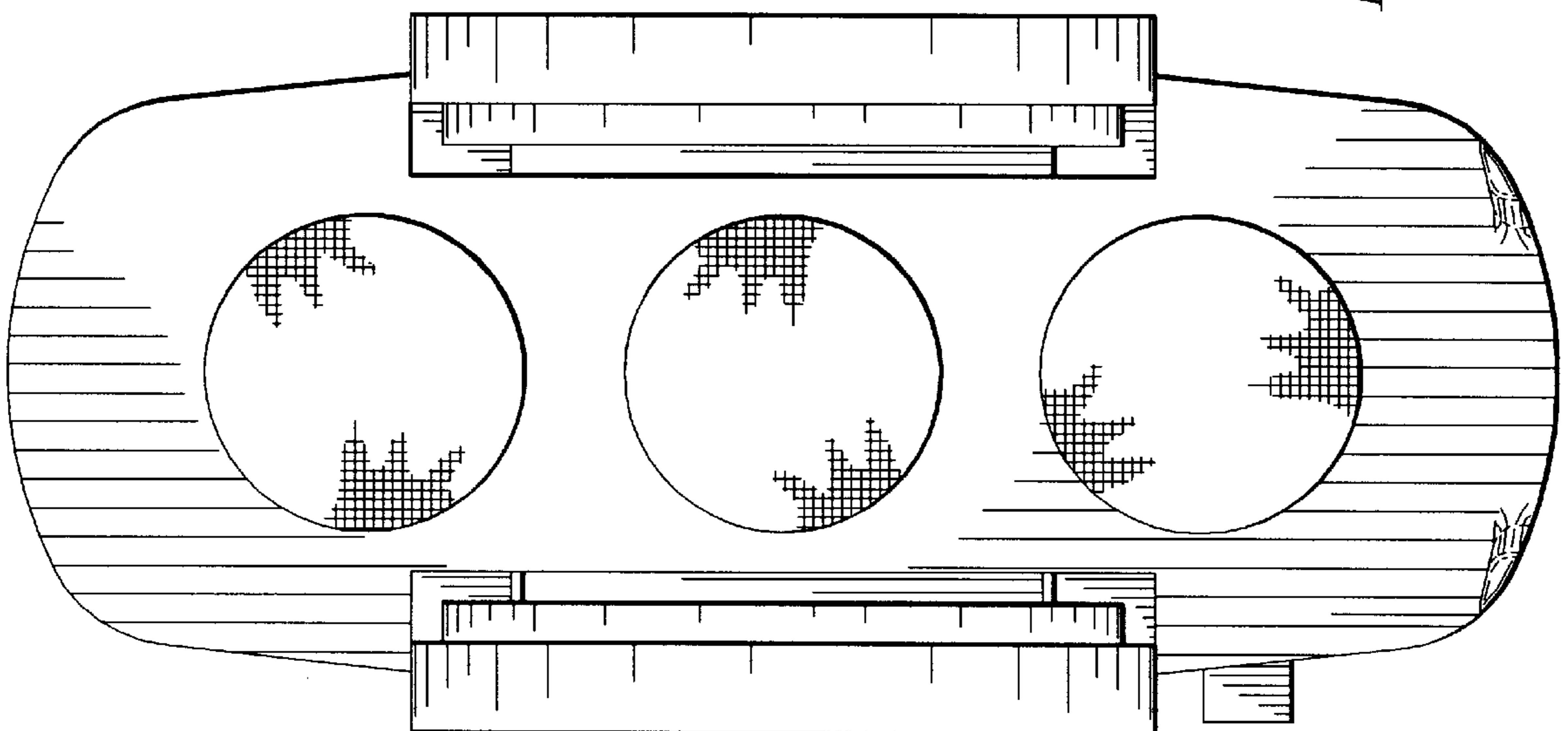


FIG. 6