



US00D405451S

United States Patent [19] Sone

[11] **Patent Number: Des. 405,451**

[45] **Date of Patent: **Feb. 9, 1999**

[54] **ELECTROACOUSTIC TRANSDUCER**

D. 373,546 9/1996 Imahori D10/116
D. 375,275 11/1996 Suzuki D10/116
4,115,770 9/1978 Kanazawa 340/396

[75] Inventor: **Takahiro Sone**, Shizuoka, Japan

[73] Assignee: **Star Micronics Co., Ltd.**, Shizuoka, Japan

[*] Notice: The term of this patent shall not extend beyond the expiration date of Pat. Nos. Des. 350,705 and Des. 375,275.

[**] Term: **14 Years**

[21] Appl. No.: **59,223**

[22] Filed: **Sep. 5, 1996**

[30] **Foreign Application Priority Data**

Mar. 8, 1996 [JP] Japan 8-6485

[51] **LOC (6) Cl.** **14-01**

[52] **U.S. Cl.** **D14/222**

[58] **Field of Search** D10/75, 116; D14/214, D14/217, 221-224, 229; 340/392, 396; 324/156; 367/157, 167, 175; 381/188-199; 455/344, 347, 350, 351

[56] **References Cited**

U.S. PATENT DOCUMENTS

D. 339,544 9/1993 Sone D10/116
D. 350,705 9/1994 Sone D10/116
D. 371,312 7/1996 Suzuki D10/116

FOREIGN PATENT DOCUMENTS

948056 2/1996 Japan .

Primary Examiner—Ted Shooman
Assistant Examiner—Nanda Bondade
Attorney, Agent, or Firm—Sughrue, Mion, Zinn, Macpeak & Seas, PLLC

[57] **CLAIM**

The ornamental design for an electroacoustic transducer, as shown and described.

DESCRIPTION

FIG. 1 is a perspective view of the top, front and left side of an electroacoustic transducer showing my new design; FIG. 2 is a front elevational view thereof, the rear elevational view being a mirror image thereof; FIG. 3 is a top plan view thereof; FIG. 4 is a left side elevational view thereof, the right side elevational view being a mirror image thereof; FIG. 5 is a bottom plan view thereof; FIG. 6 is the 6—6 sectional view of FIG. 2; FIG. 7 is the 7—7 sectional view of FIG. 5; FIG. 8 is the 8—8 sectional view of FIG. 5; and, FIG. 9 is a 9—9 sectional view of FIG. 5.

1 Claim, 3 Drawing Sheets

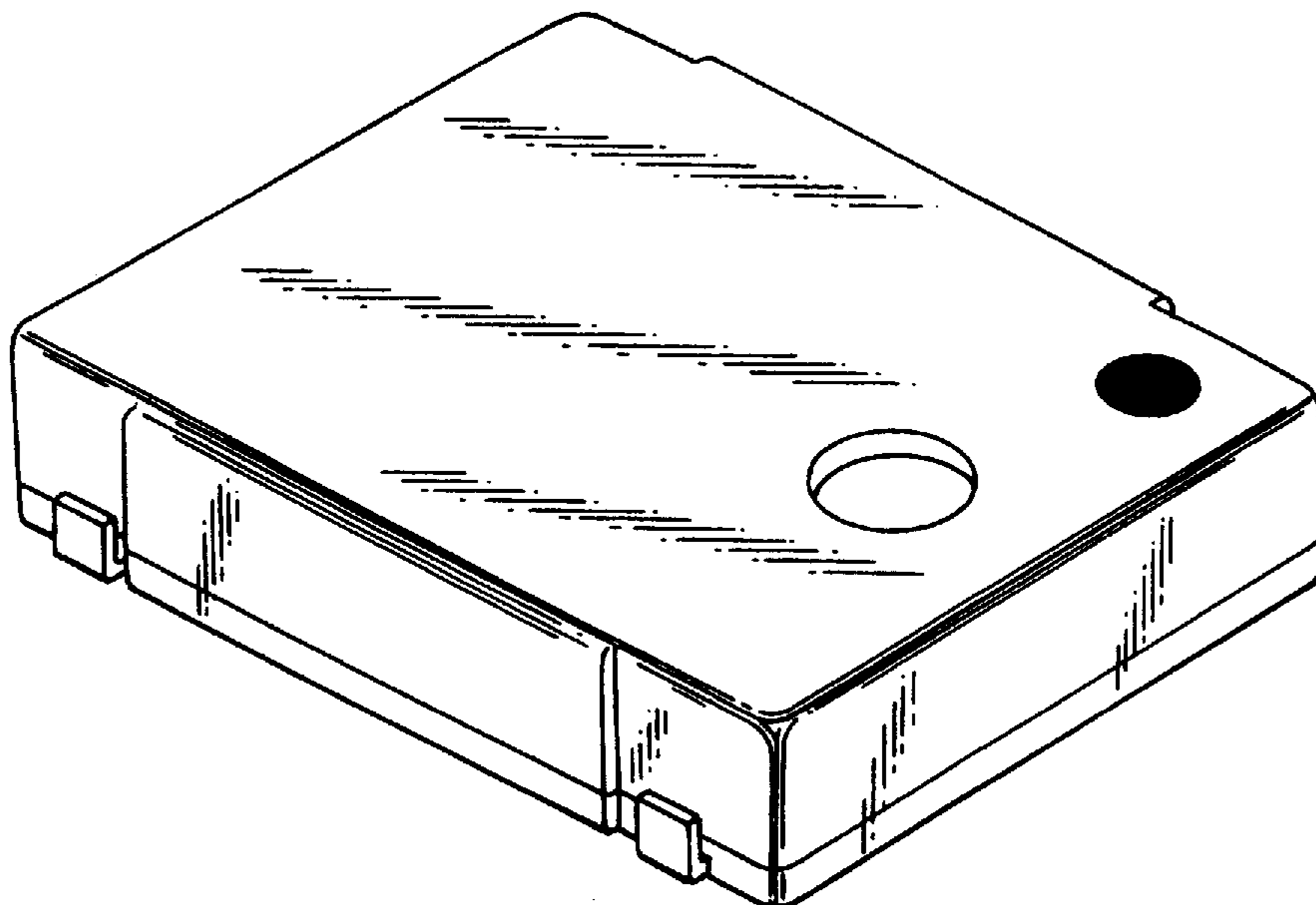


FIG. 1

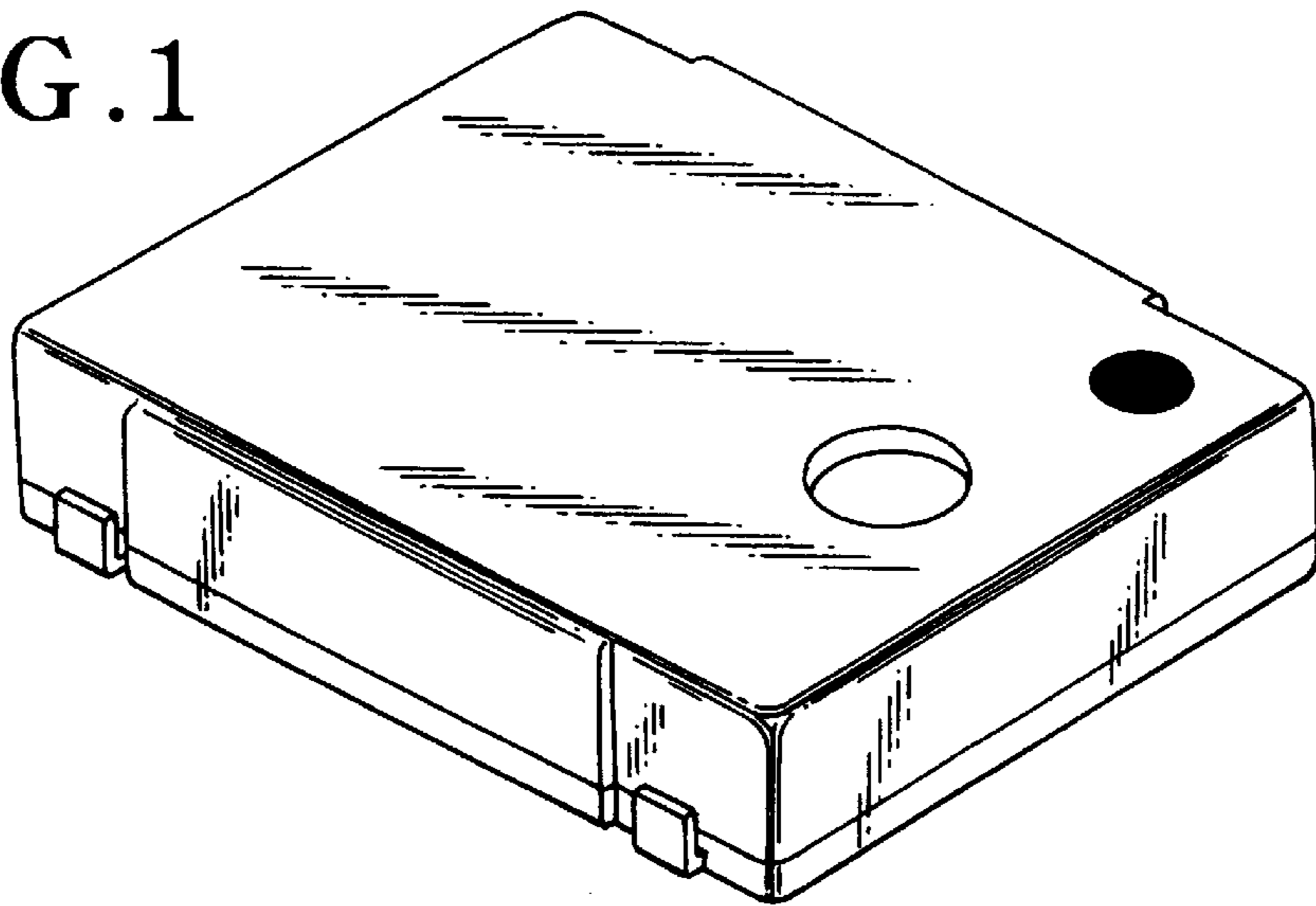


FIG. 2

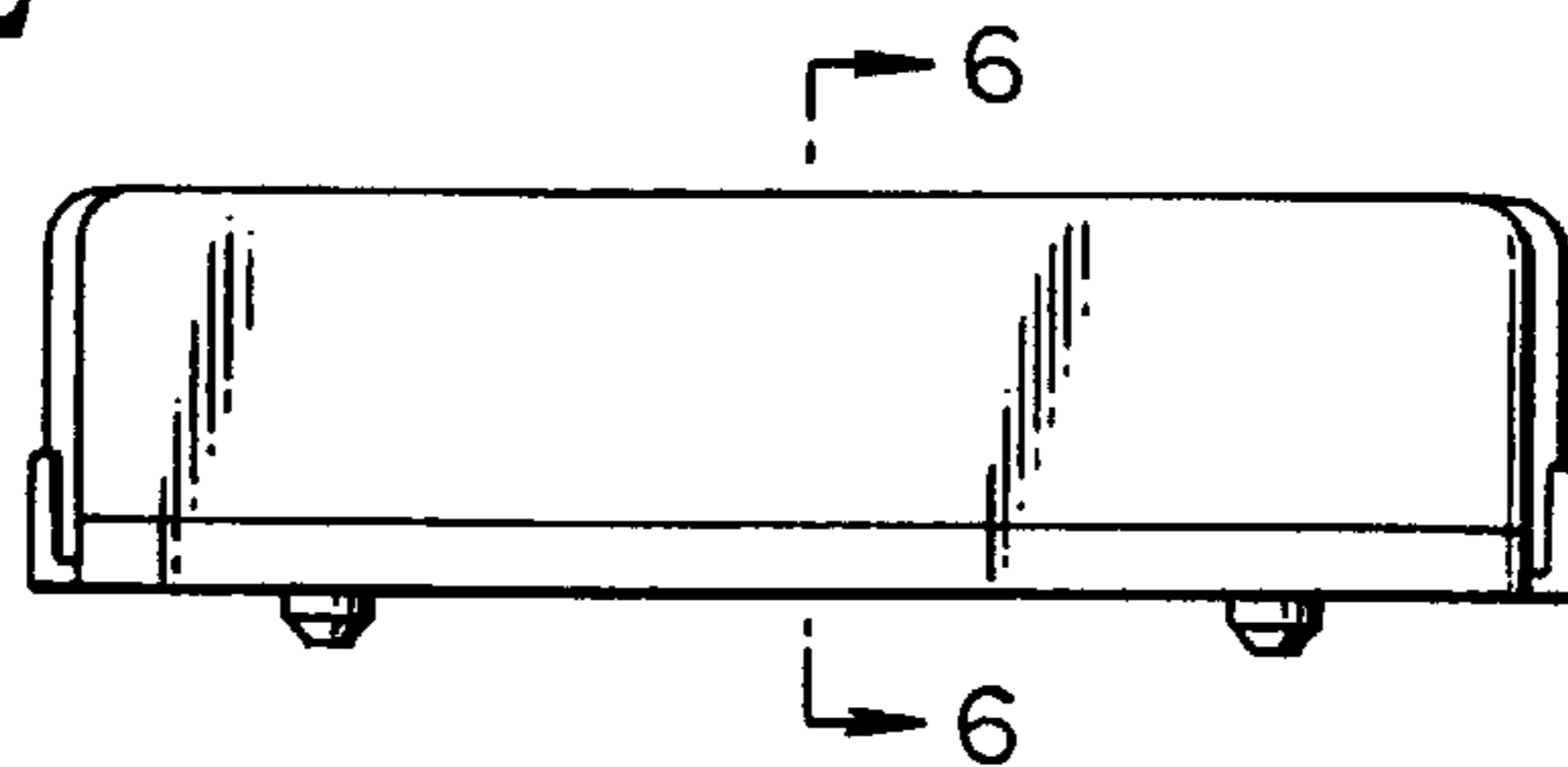


FIG. 3

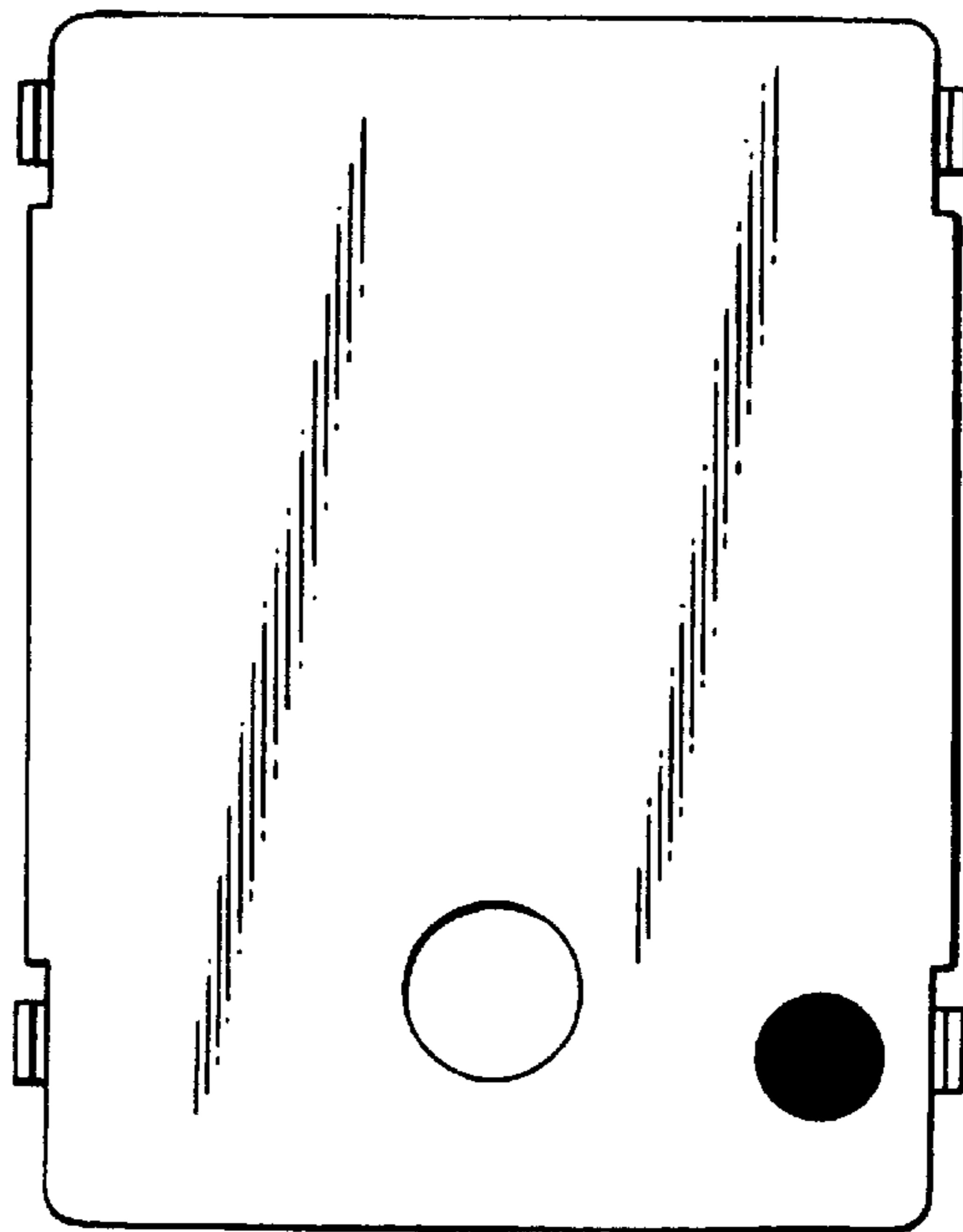


FIG. 4

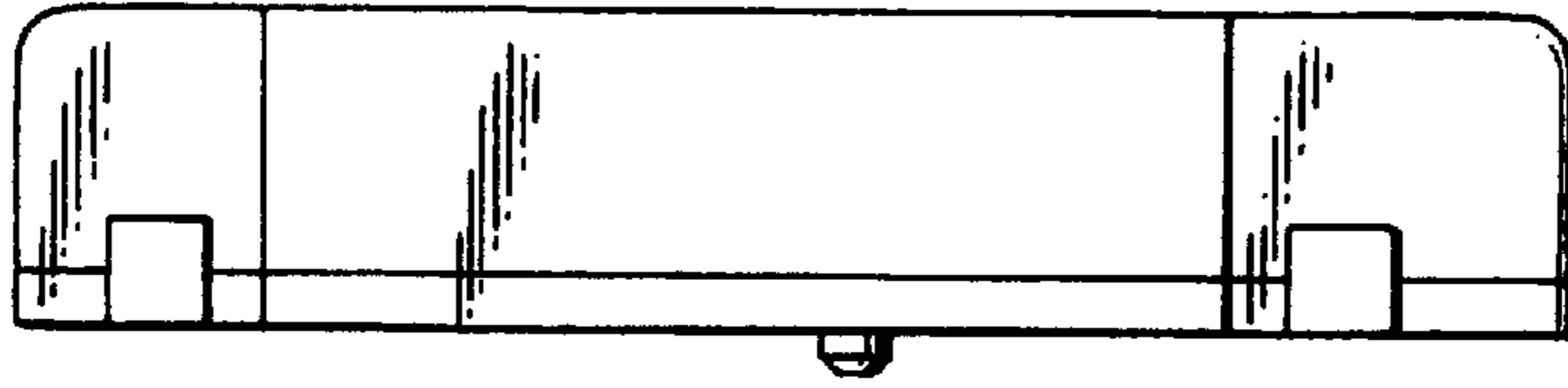


FIG. 5

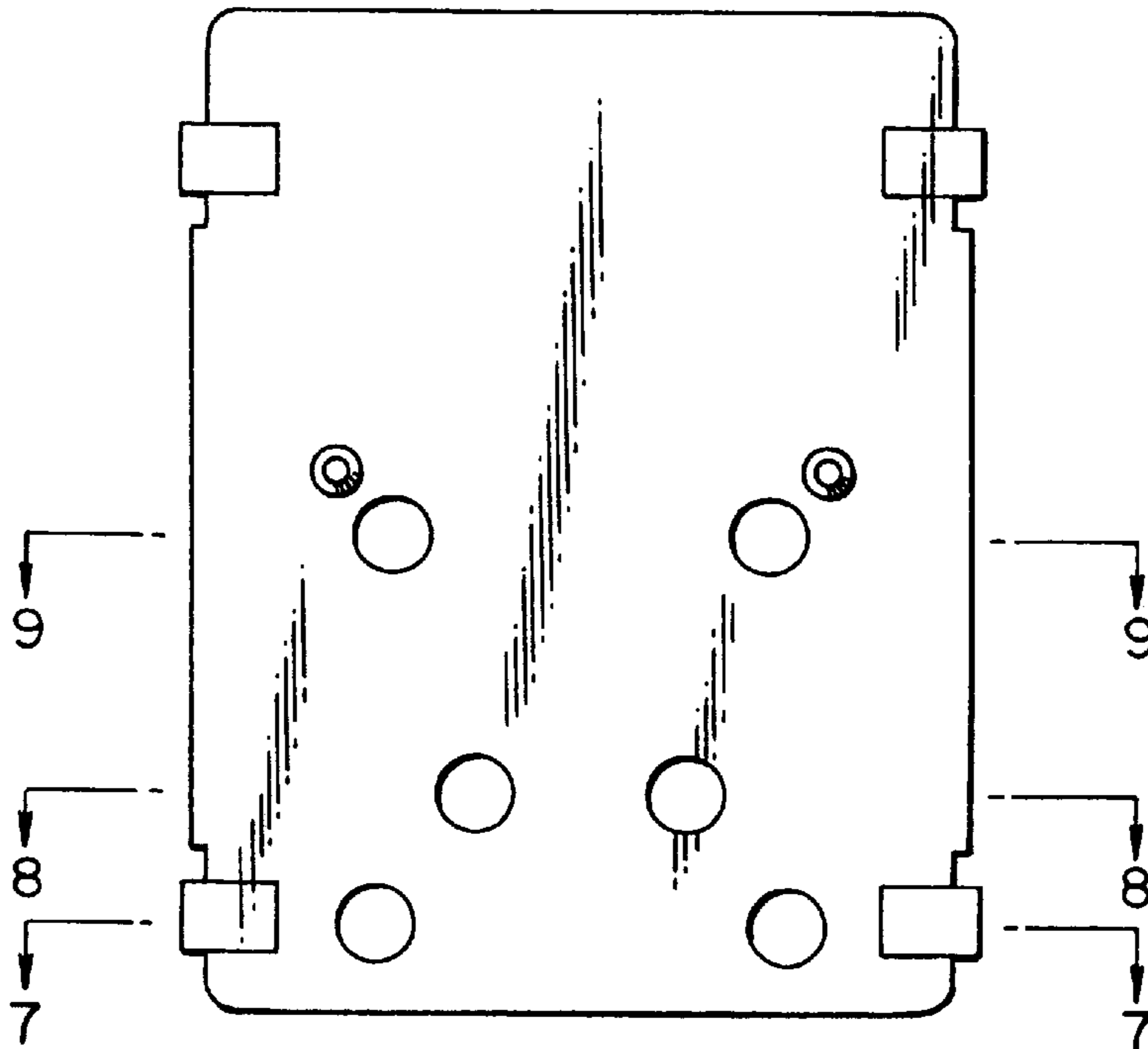


FIG. 6

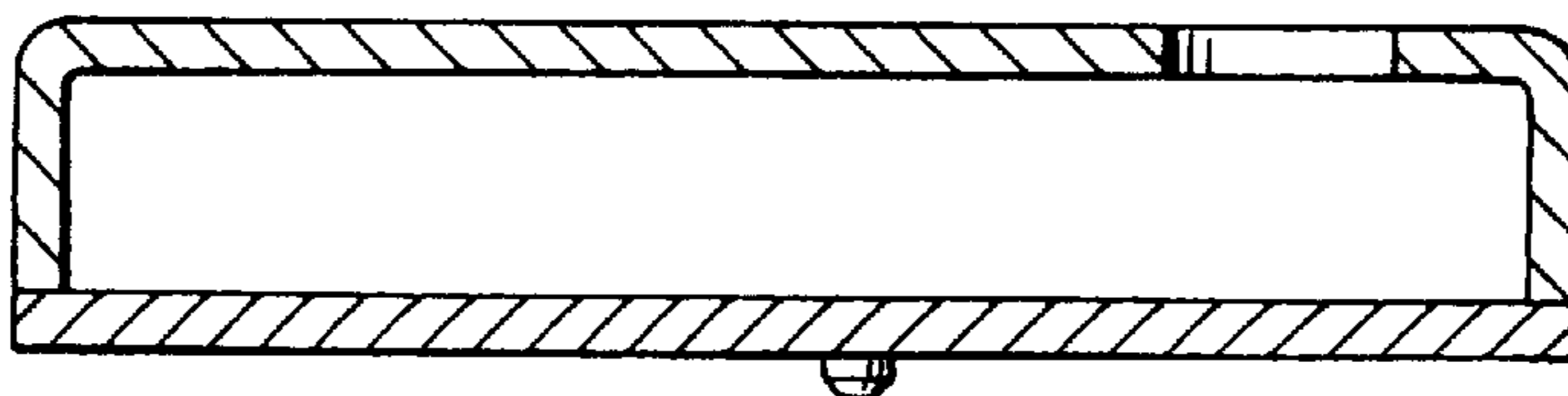


FIG. 7

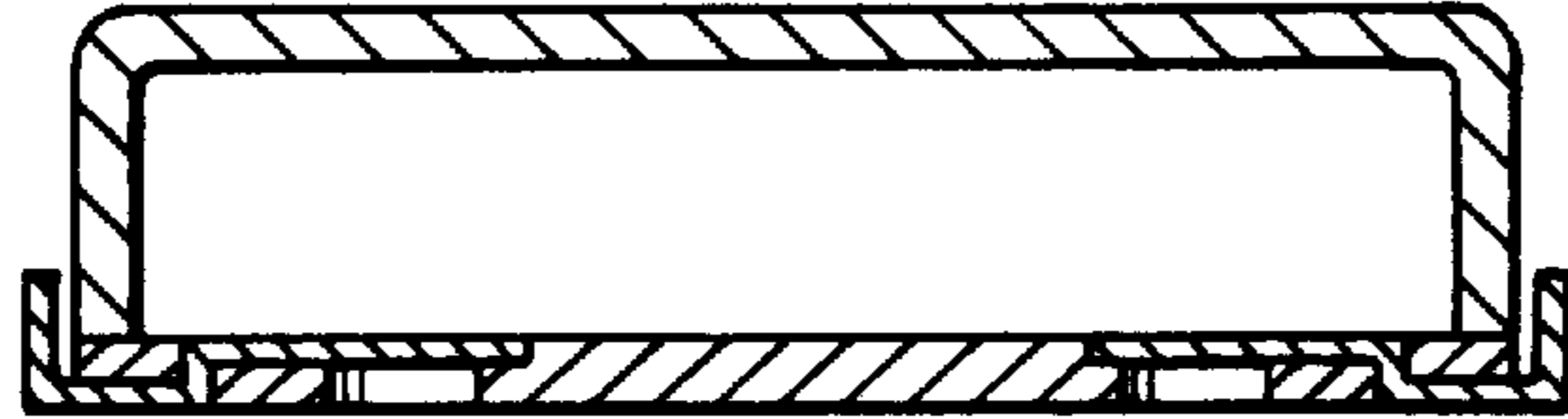


FIG. 8

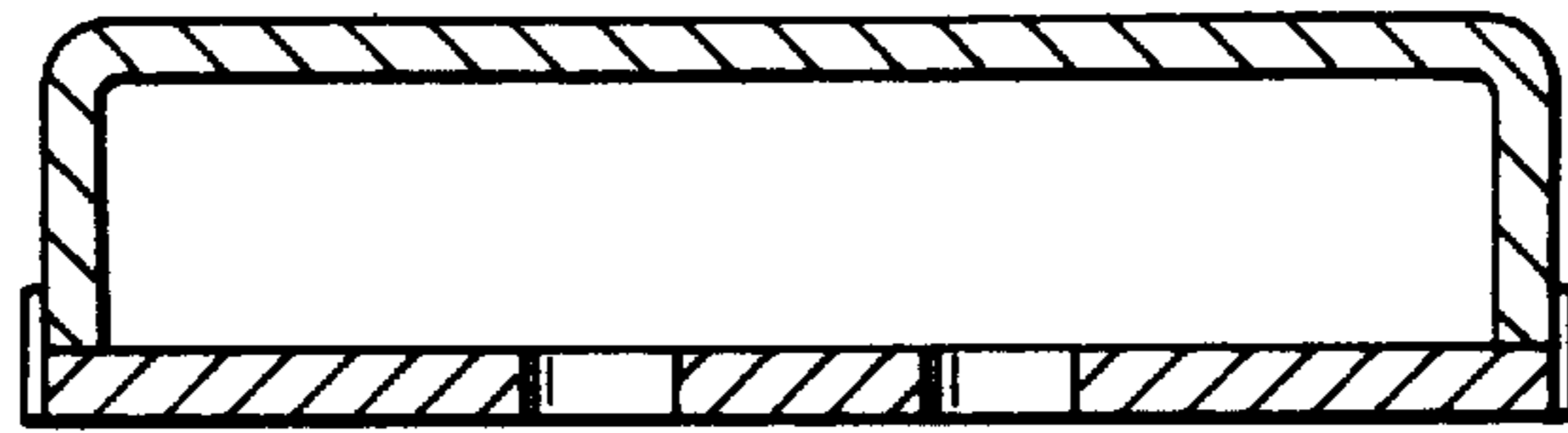


FIG. 9

