



US00D405449S

# United States Patent [19]

Nakamura et al.

[11] Patent Number: Des. 405,449

[45] Date of Patent: \*\*Feb. 9, 1999

[54] HEADPHONE

[75] Inventors: Mitsuhiro Nakamura; Hirohisa Tanaka, both of Tokyo, Japan

[73] Assignee: Sony Corporation, Tokyo, Japan

[\*\*] Term: 14 Years

[21] Appl. No.: 81,155

[22] Filed: Dec. 23, 1997

[51] LOC (6) Cl. .... 14-01

[52] U.S. Cl. .... D14/205

[58] Field of Search ..... D14/192, 205, D14/206, 223, 249; 181/129, 130, 137; 379/430, 431, 444; 381/25, 68, 158, 183, 187

### [56] References Cited

#### U.S. PATENT DOCUMENTS

D. 316,861	5/1991	Yoda et al. ....	D14/205
D. 348,465	7/1994	Yamatogi ....	D14/205
D. 358,389	5/1995	Isono ....	D14/205
D. 358,391	5/1995	Isono ....	D14/205
D. 369,611	5/1996	Saito ....	D14/205

#### OTHER PUBLICATIONS

Sony Catalog 84, "Cyber-shot", pp. 237, 238 (Nov. 1996).  
Sony Headphone/Active Speaker System Catalog, "WARP/Street Style", p. 10 (Jul. 1997).

Sony Style catalog, spring/summer 1993, p. 283, MDR-A22L Vertical in-the-air Stereo Headphone, 1993.

Primary Examiner—Philip S. Hyder  
Assistant Examiner—Nanda Bondade  
Attorney, Agent, or Firm—Foley & Lardner

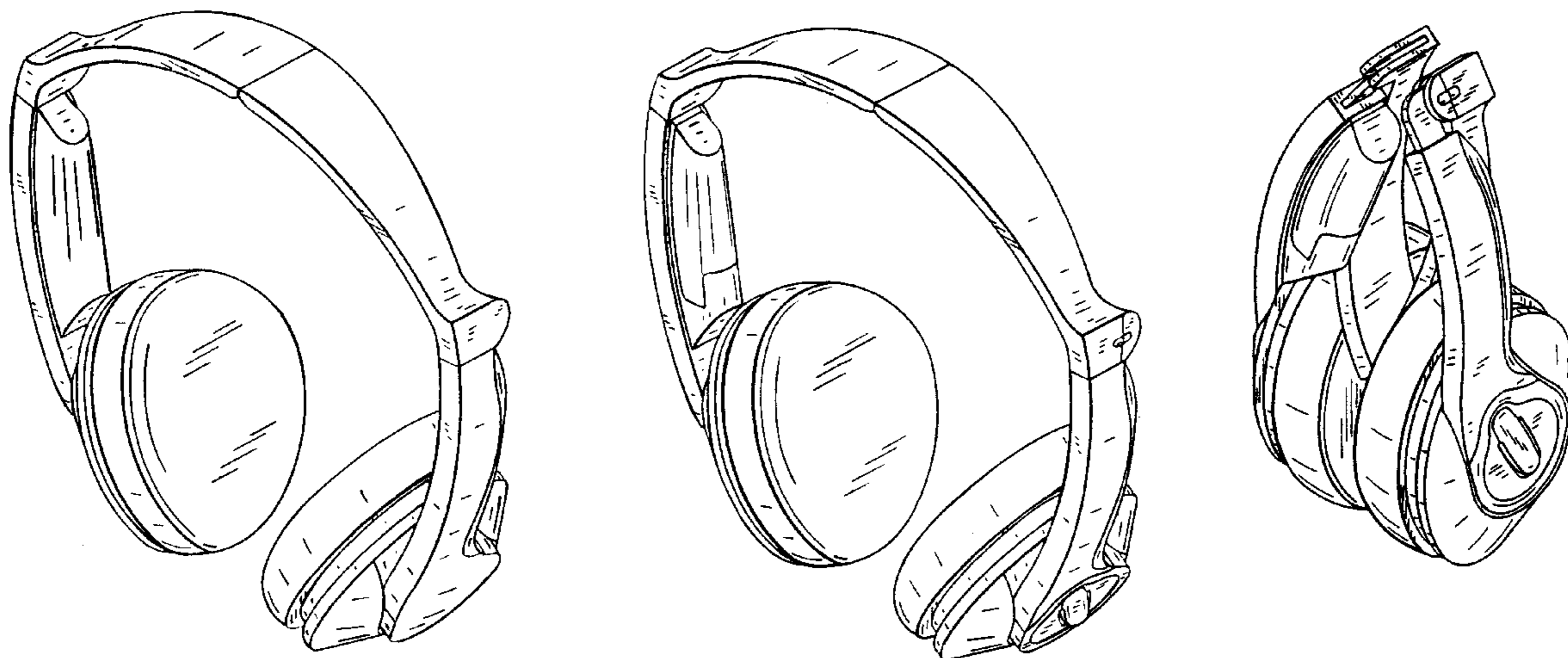
### [57] CLAIM

The ornamental design for a headphone, as shown and described.

### DESCRIPTION

FIG. 1 is a perspective view of a first embodiment of a headphone showing our new design; FIG. 2 is a top plan view thereof; FIG. 3 is a left side elevational view thereof; FIG. 4 is a front elevational view thereof; FIG. 5 is a bottom plan view thereof; FIG. 6 is a right side elevational view thereof; FIG. 7 is a rear elevational view thereof; FIG. 8 is a perspective view of a second embodiment of a headphone showing our new design; FIG. 9 is a top plan view thereof; FIG. 10 is a left side elevational view thereof; FIG. 11 is a front elevational view thereof; FIG. 12 is a bottom plan view thereof; FIG. 13 is a right side elevational view thereof; FIG. 14 is a rear elevational view thereof; and, FIG. 15 is a perspective view thereof, in the folded condition.

1 Claim, 7 Drawing Sheets



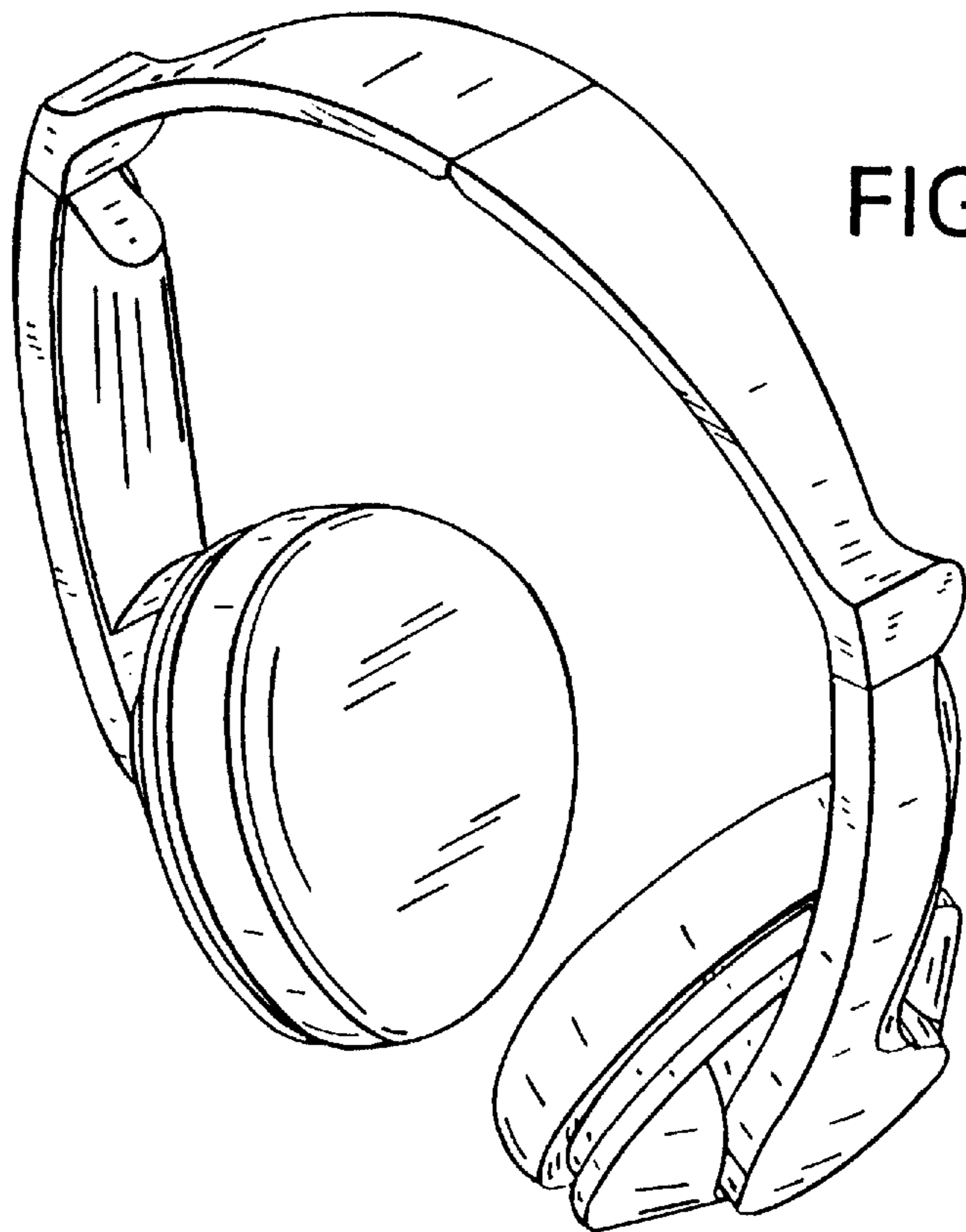


FIG. 1

FIG. 2

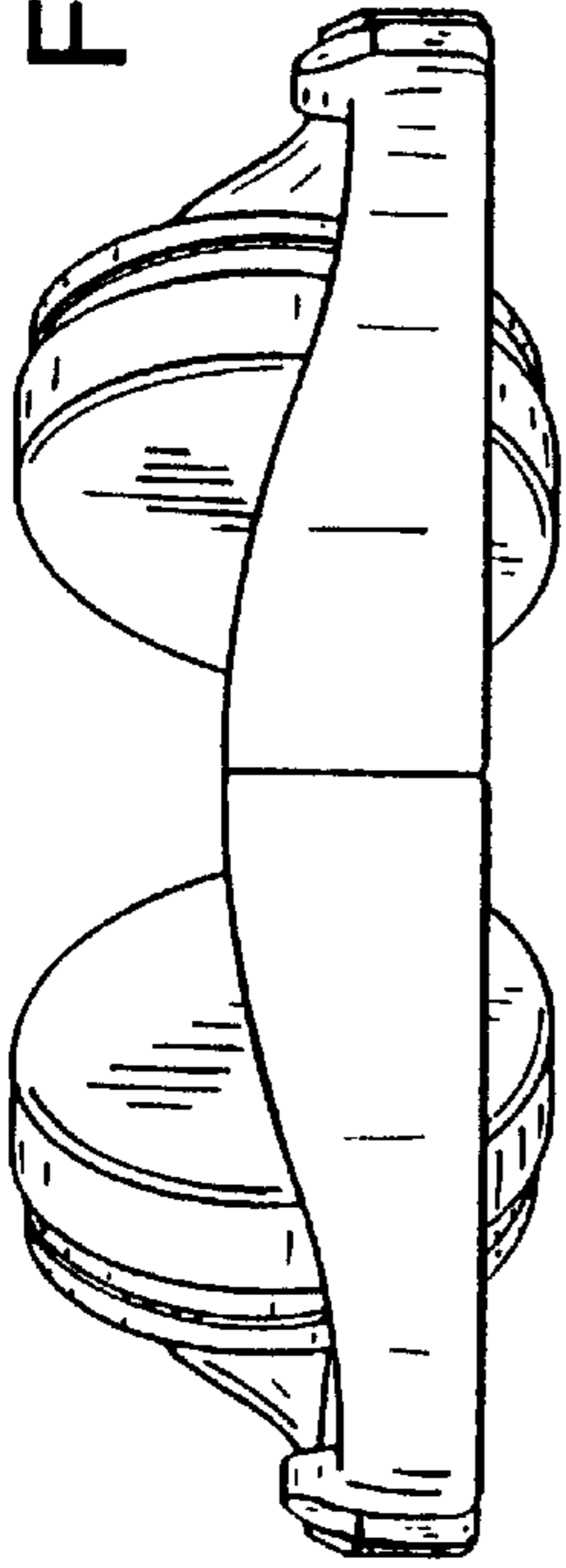


FIG. 4

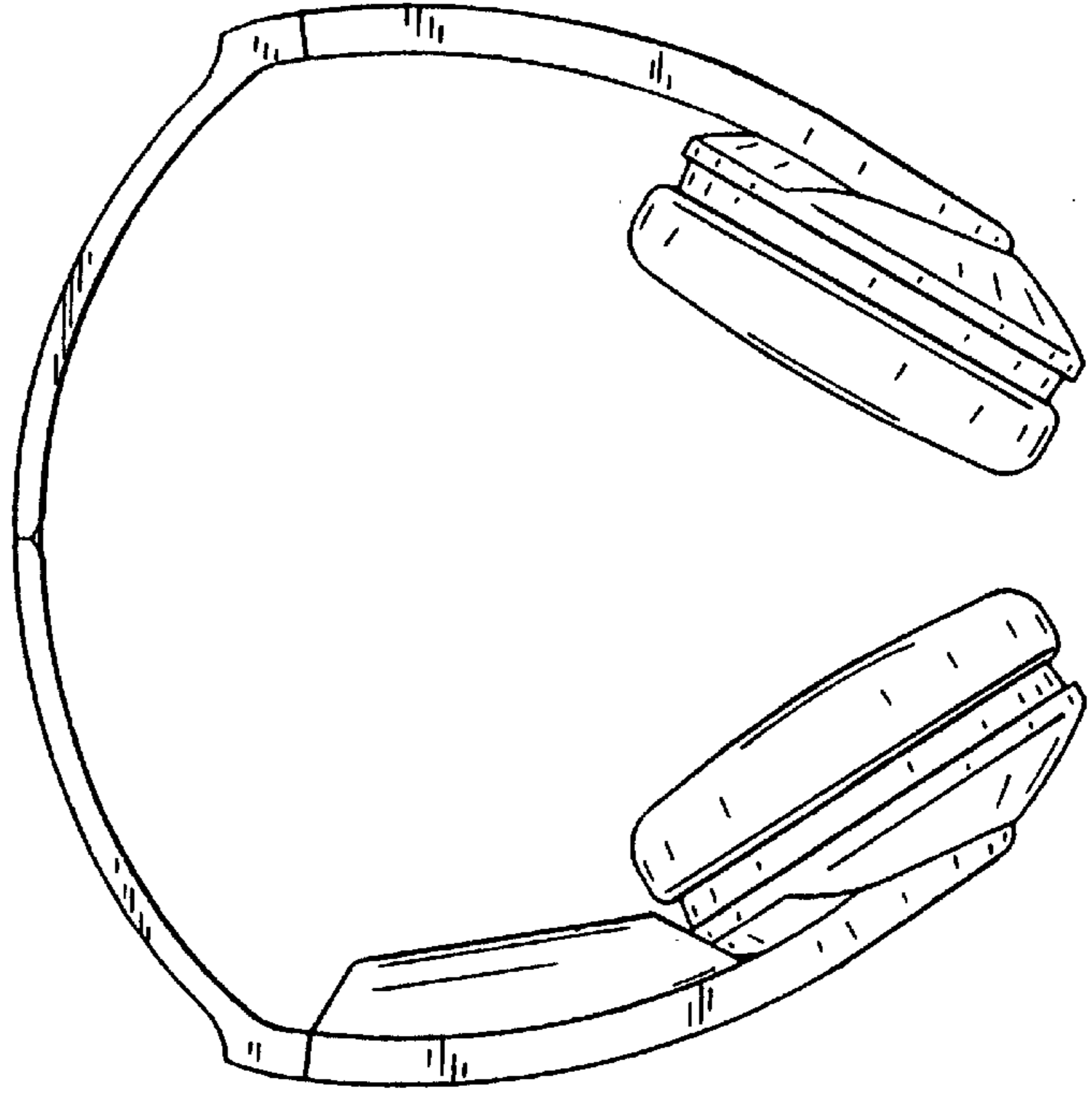


FIG. 3

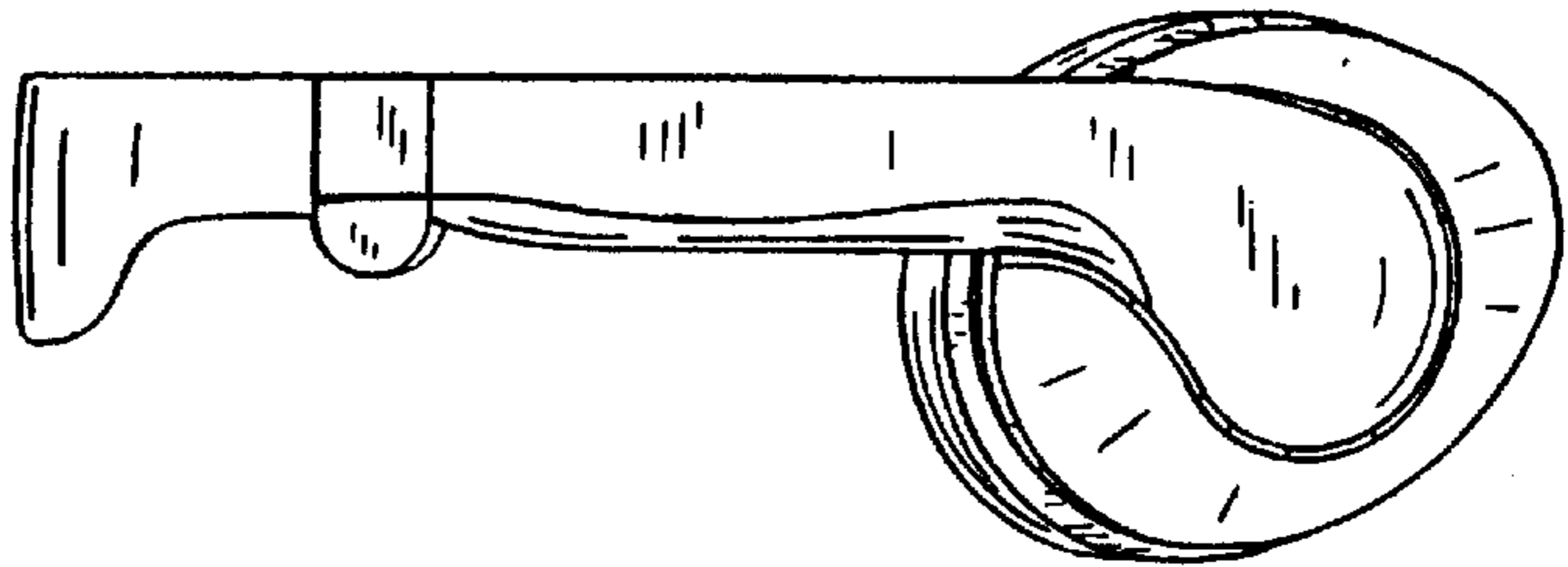


FIG. 6

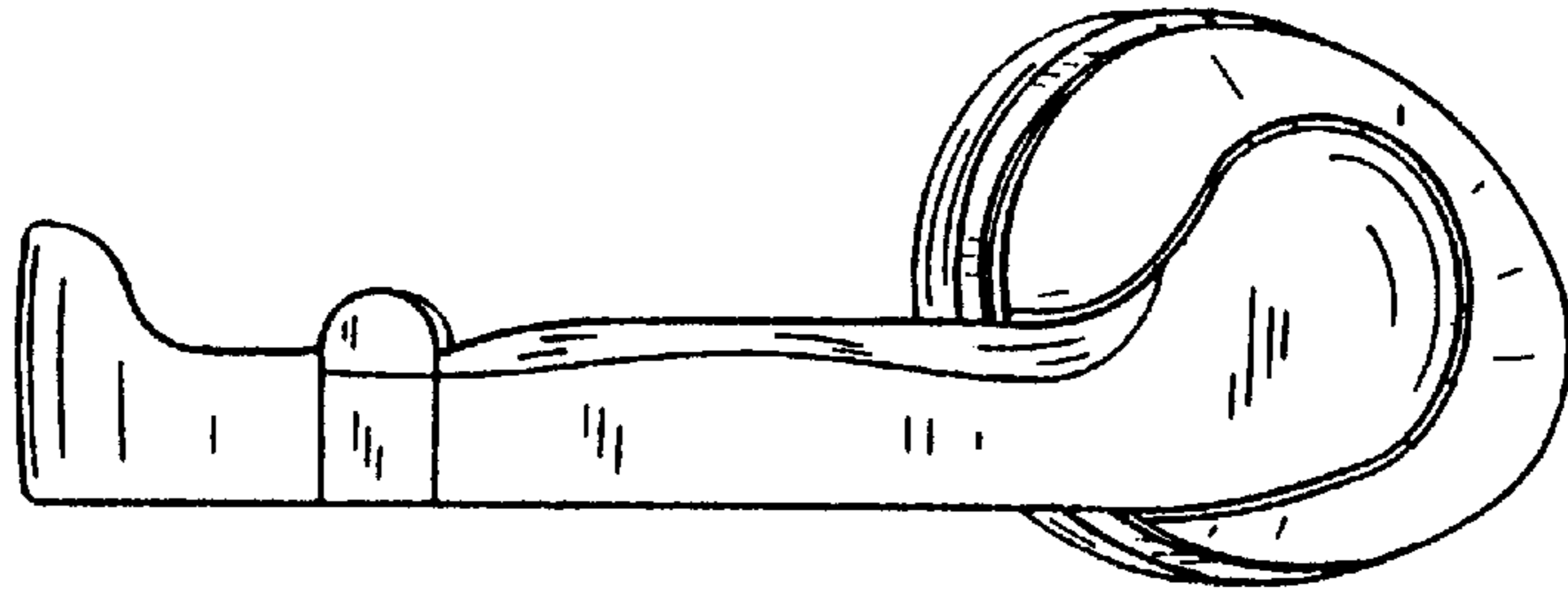
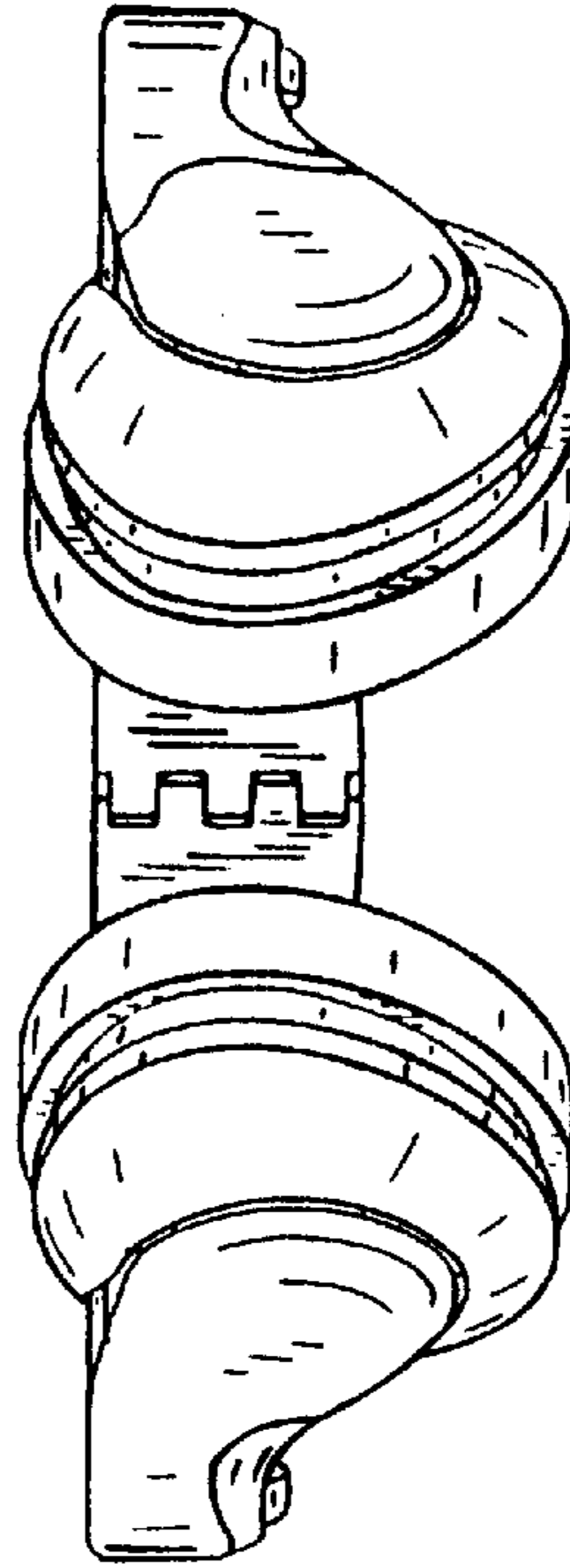


FIG. 5



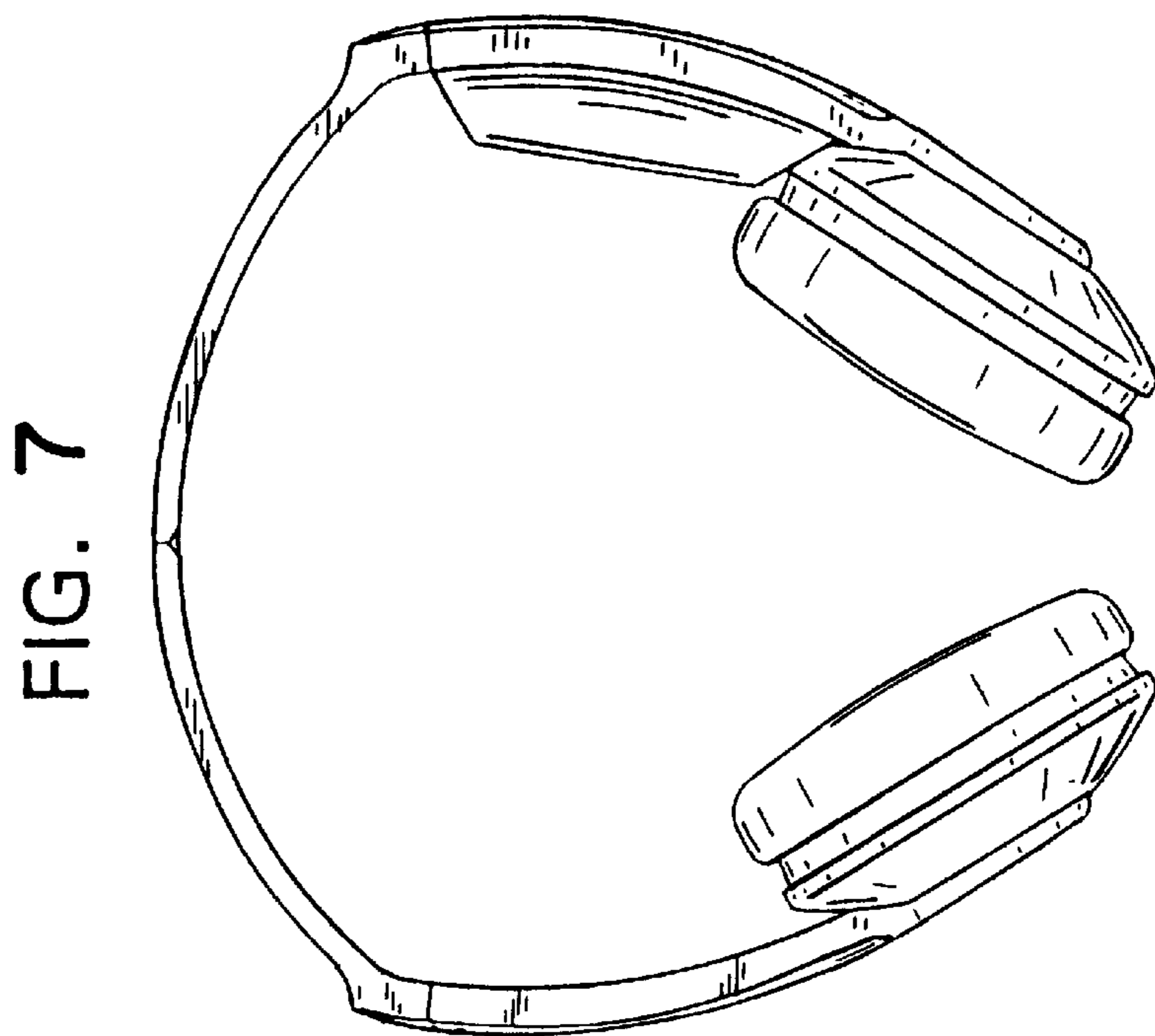
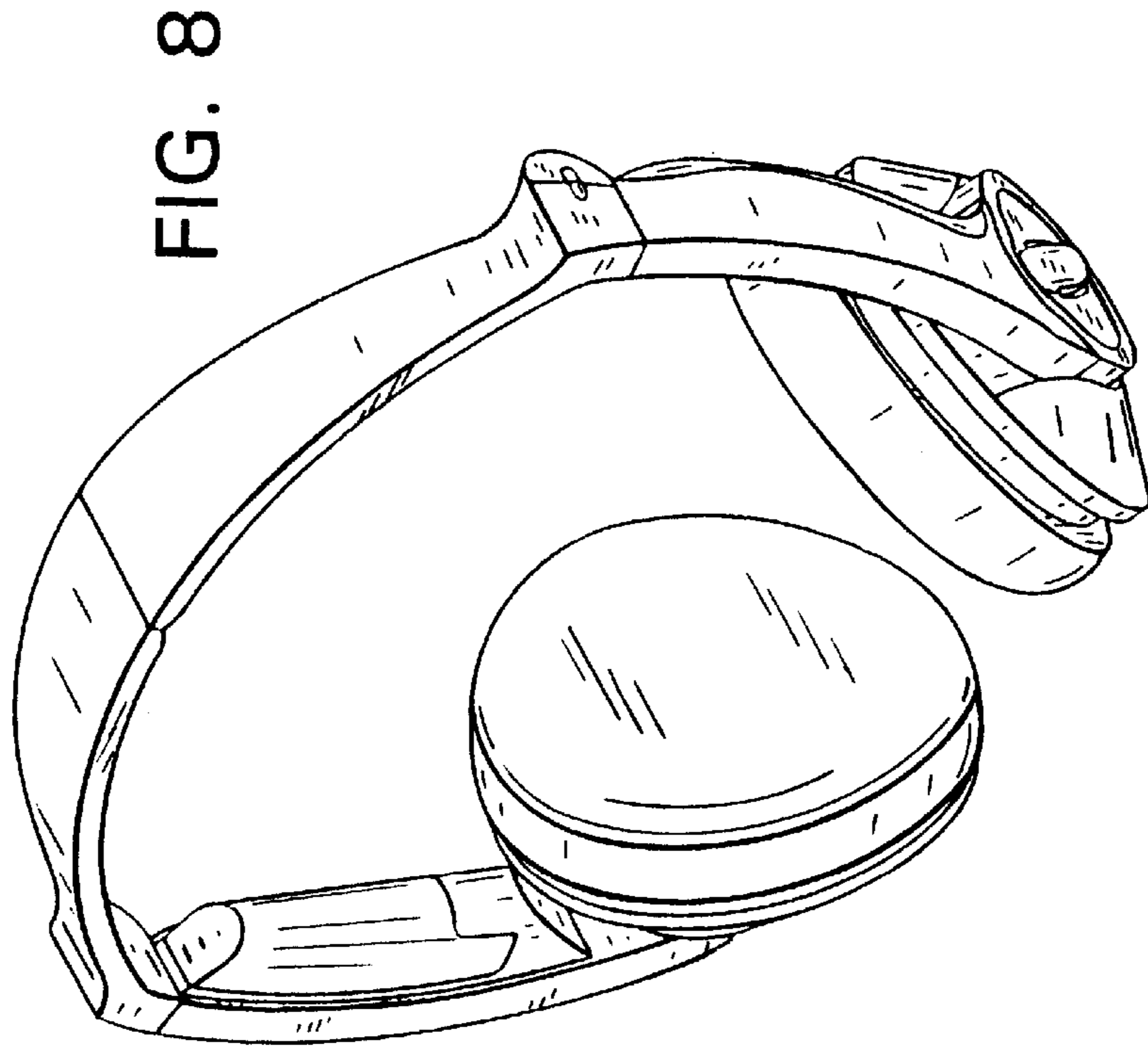


FIG. 9

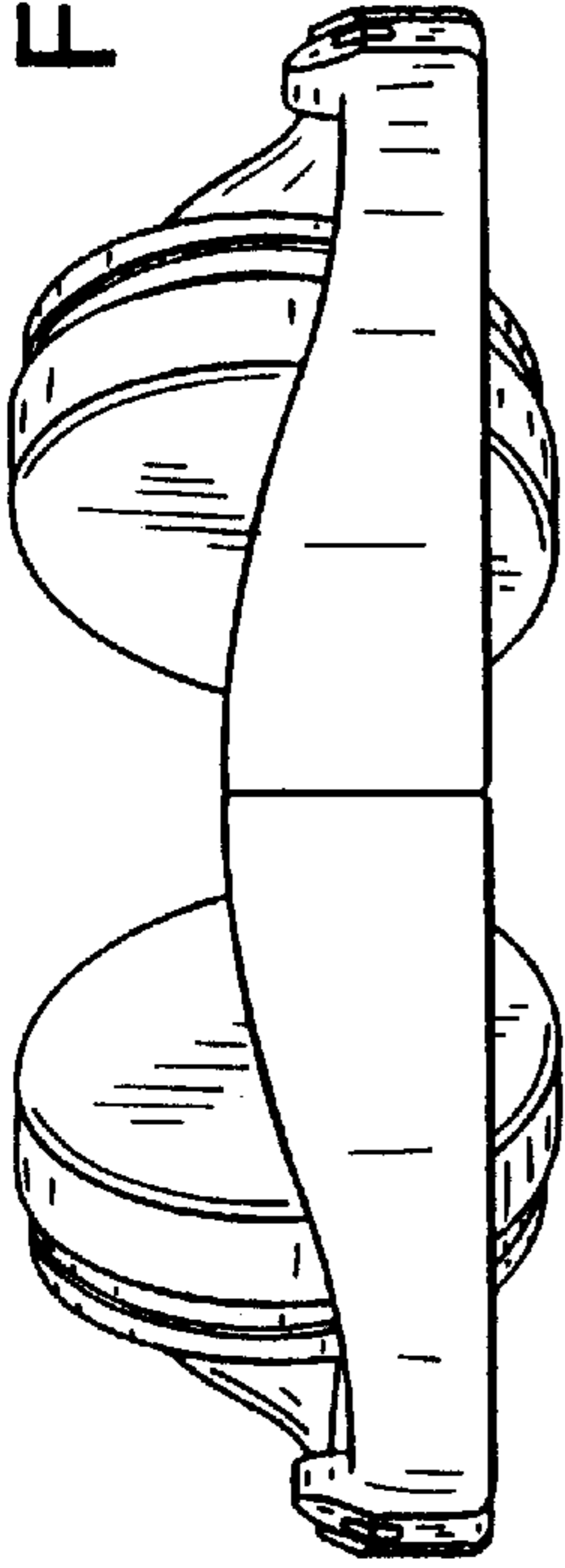


FIG. 11

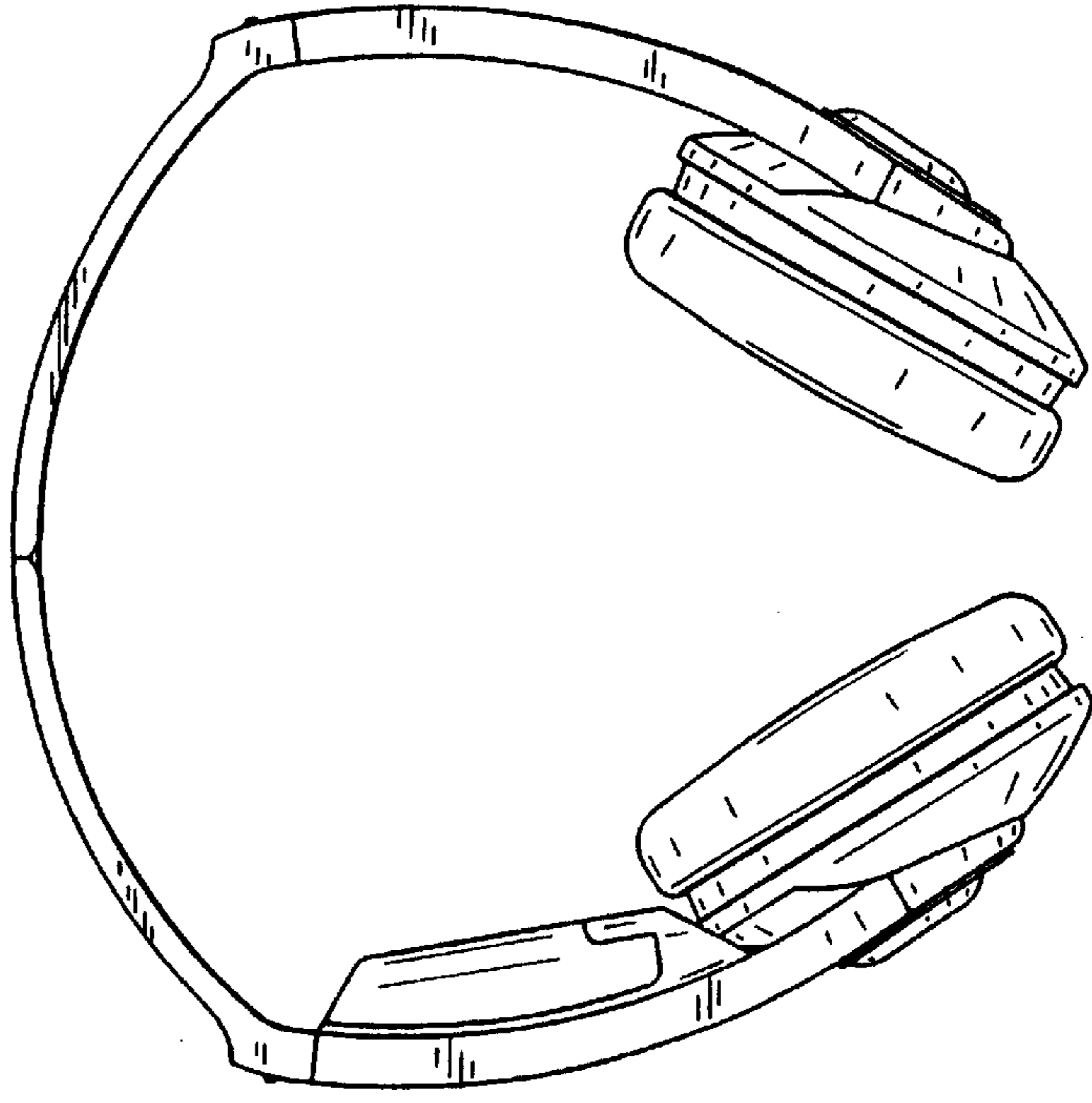


FIG. 10

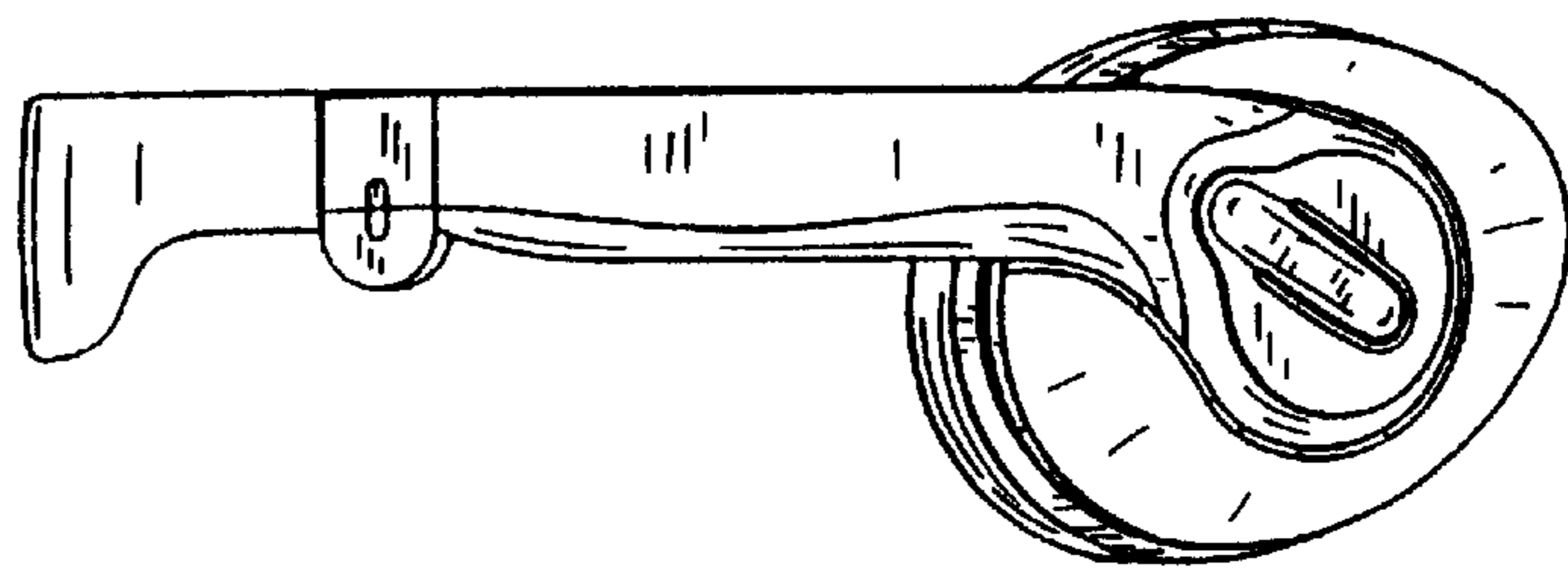


FIG. 13

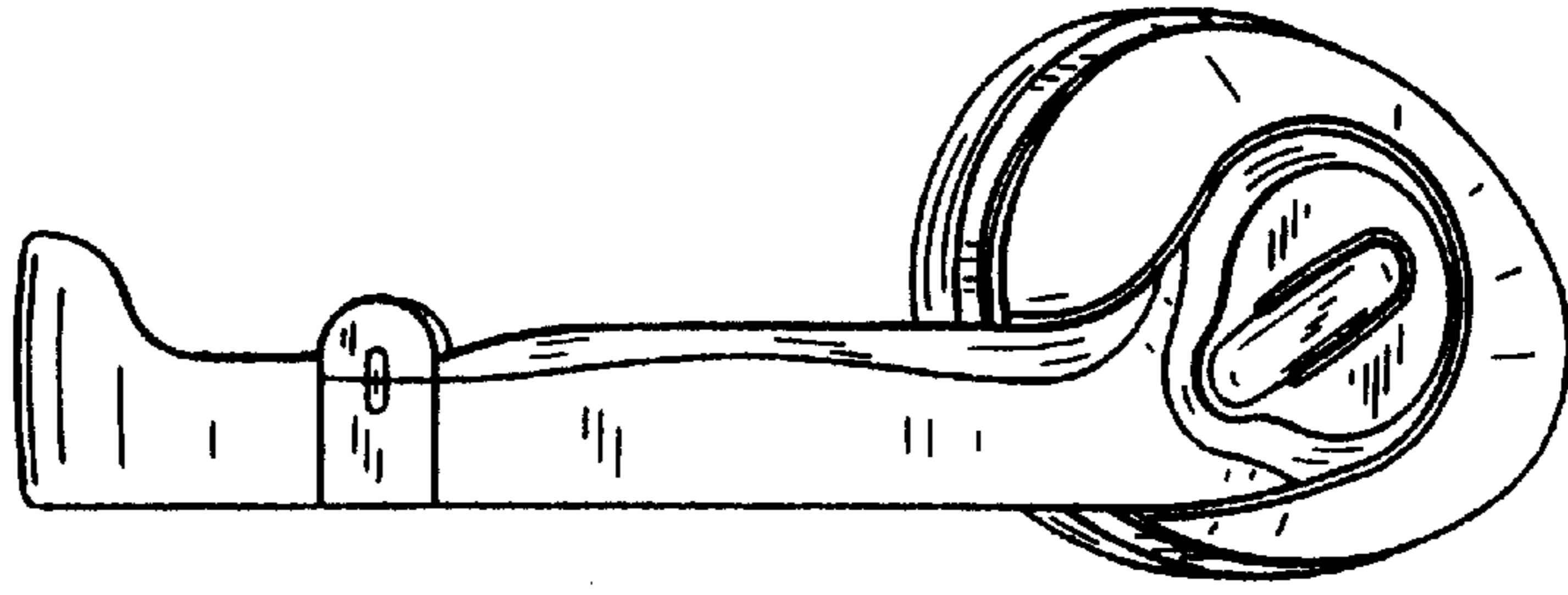


FIG. 12

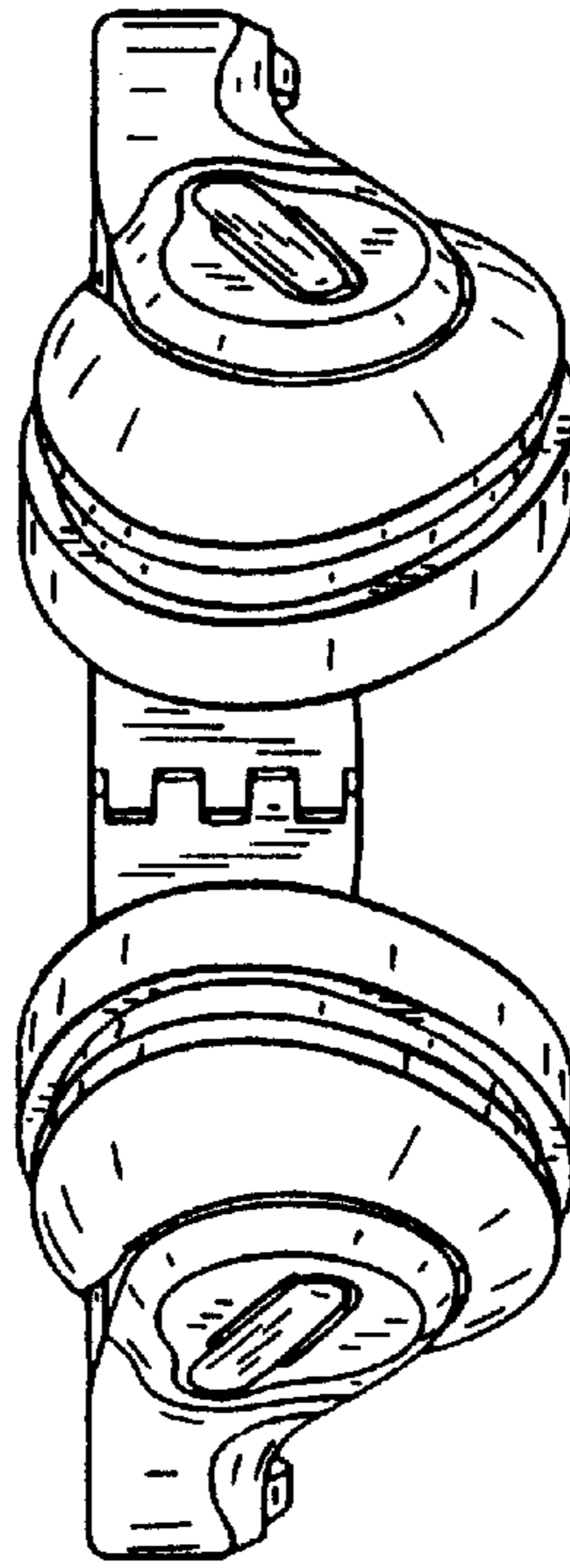


FIG. 15

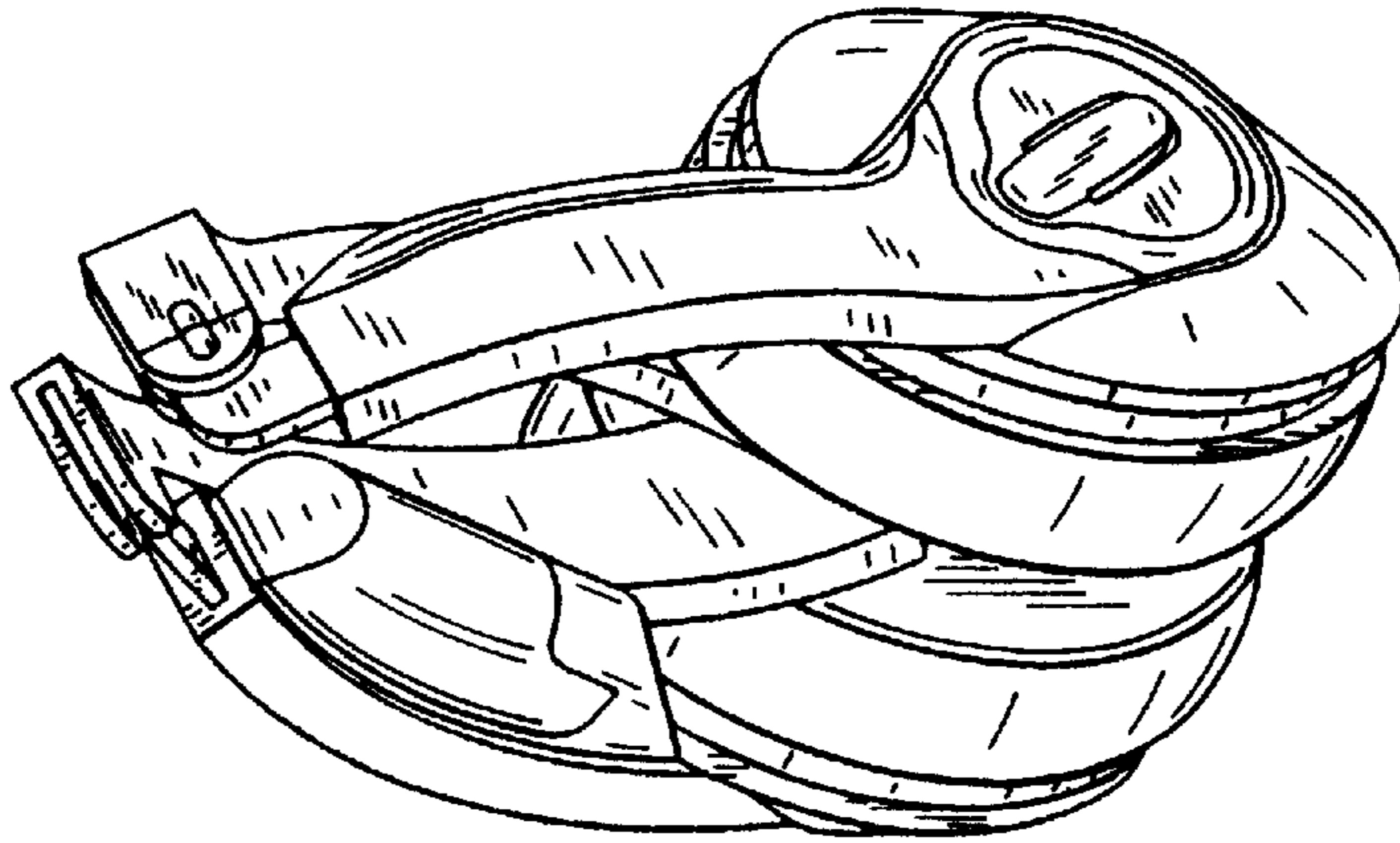


FIG. 14

