



US00D405446S

# United States Patent [19] Bhavnani

[11] **Patent Number: Des. 405,446**

[45] **Date of Patent: \*\*Feb. 9, 1999**

[54] **TELEPHONE**

[75] Inventor: **Dilip Kumar Bhavnani**, Beverly Hills, Calif.

[73] Assignee: **Sun Coast Merchandise Corporation**, Commerce, Calif.

[\*\*] Term: **14 Years**

[21] Appl. No.: **76,676**

[22] Filed: **Sep. 12, 1997**

[51] **LOC (6) Cl.** ..... **14-03**

[52] **U.S. Cl.** ..... **D14/148**

[58] **Field of Search** ..... D14/140, 142, D14/147-151, 240, 138; 379/419, 420, 428, 440, 434-436; D13/107, 108; 455/550-575, 90

[56] **References Cited**

**U.S. PATENT DOCUMENTS**

- D. 267,178 12/1982 Baum ..... D14/147
- D. 279,672 7/1985 Baum ..... D14/147

- D. 279,777 7/1985 Cooke et al. .... D14/149
- D. 286,282 10/1986 Brown ..... D14/148 X
- D. 293,237 12/1987 Brown ..... D14/148
- D. 296,692 7/1988 Besford et al. .... D14/138
- D. 355,652 2/1995 Lee et al. .... D14/149
- D. 375,935 11/1996 Nagele et al. .... D13/108
- 4,284,855 8/1981 Adams et al. .... 379/440

*Primary Examiner*—Jeffrey Asch  
*Attorney, Agent, or Firm*—Sheldon & Mak

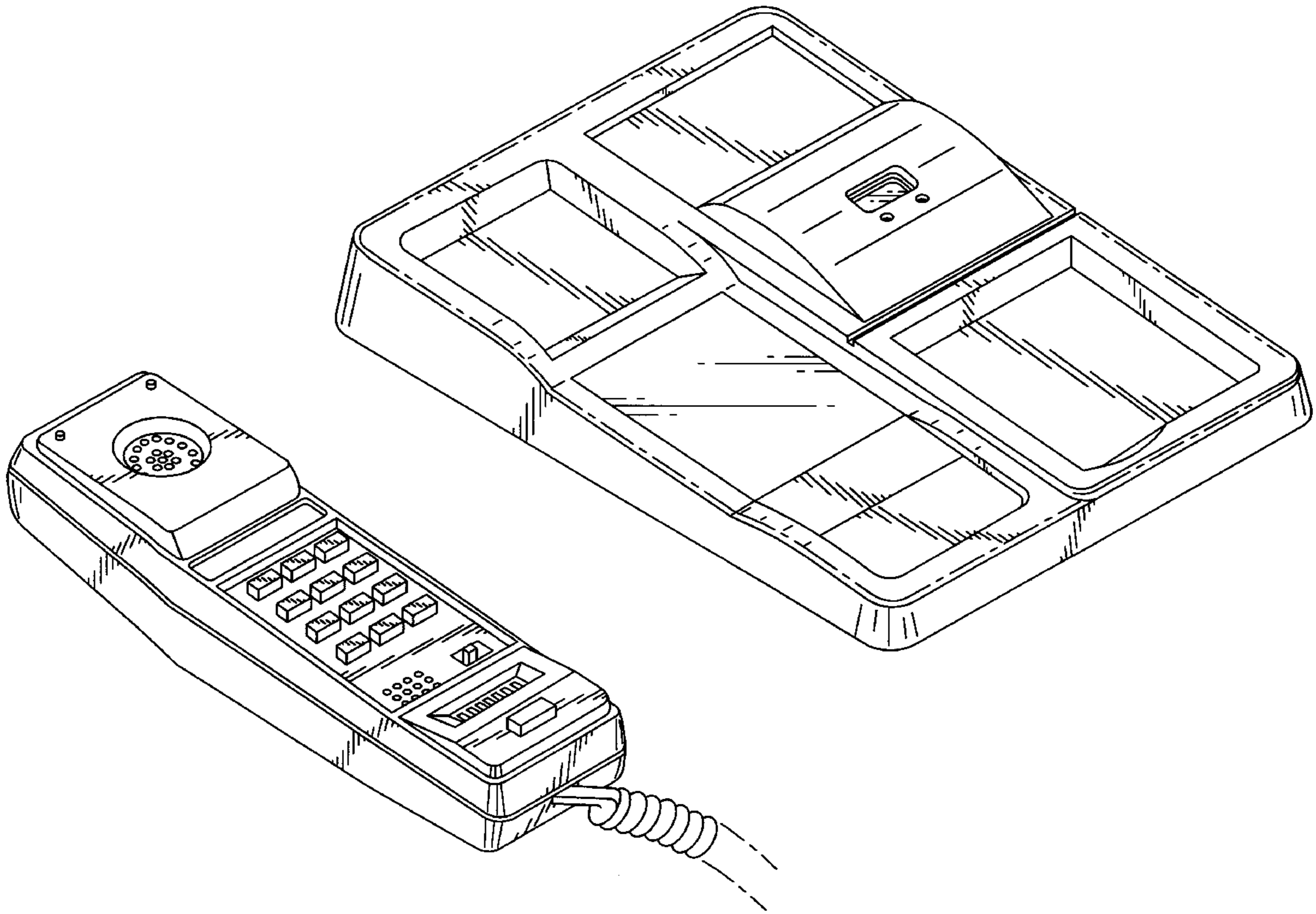
[57] **CLAIM**

The ornamental design for a telephone, as shown and described.

**DESCRIPTION**

FIG. 1 is a top right perspective view of a telephone showing my new design;  
FIG. 2 is a left side elevational view thereof;  
FIG. 3 is a rear side elevational view thereof;  
FIG. 4 is a front side elevation view thereof;  
FIG. 5 is a right side elevational view thereof;  
FIG. 6 is a bottom view thereof; and,  
FIG. 7 is an exploded top left perspective view thereof.

**1 Claim, 3 Drawing Sheets**



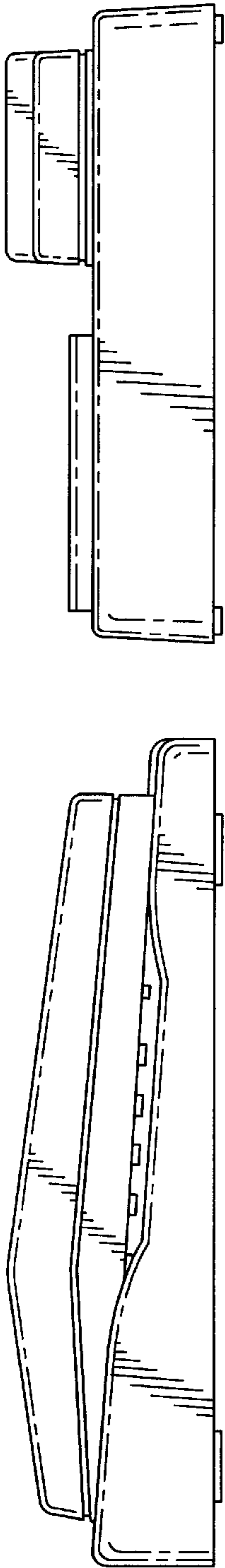


FIG. 3

FIG. 2

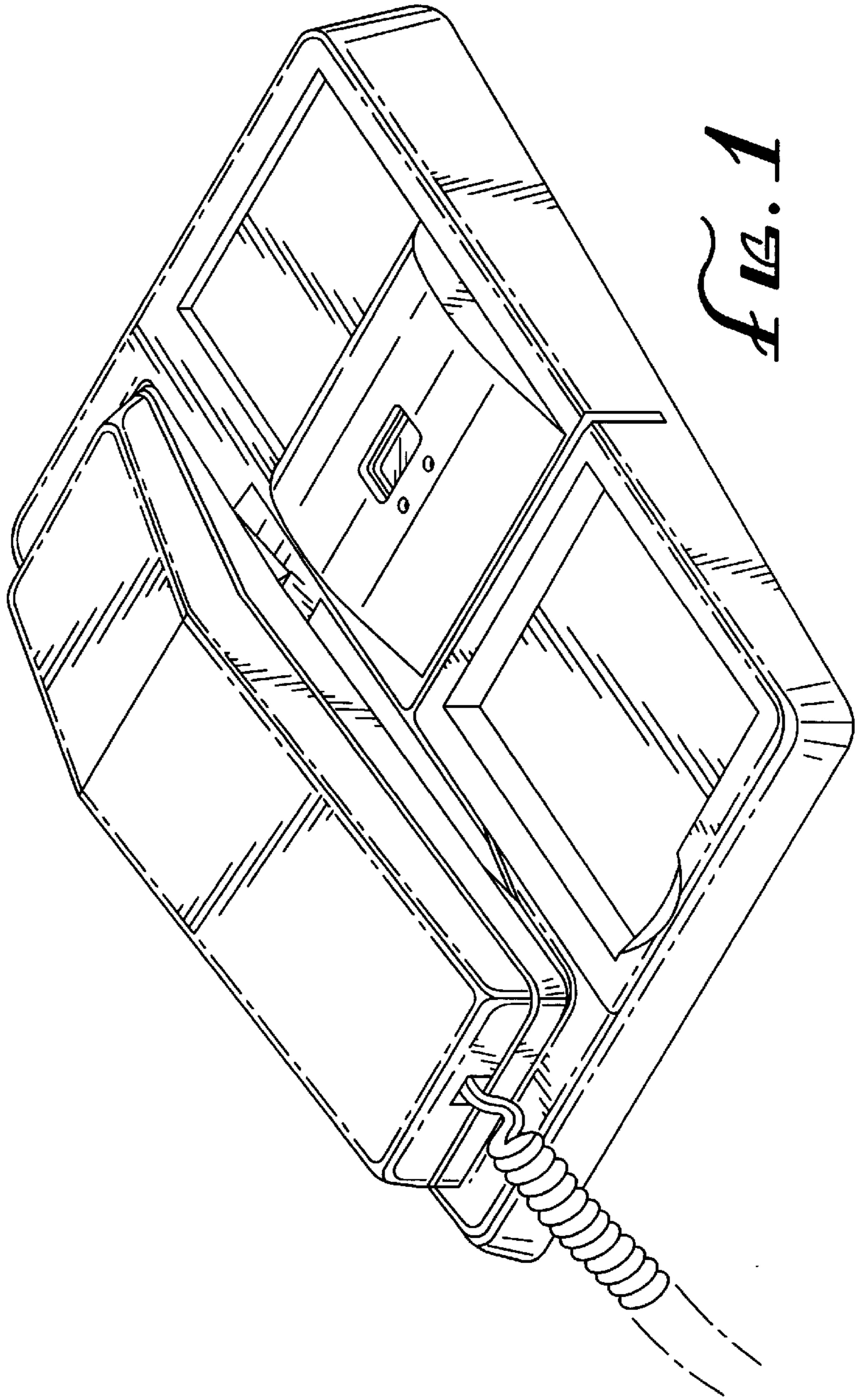


FIG. 1

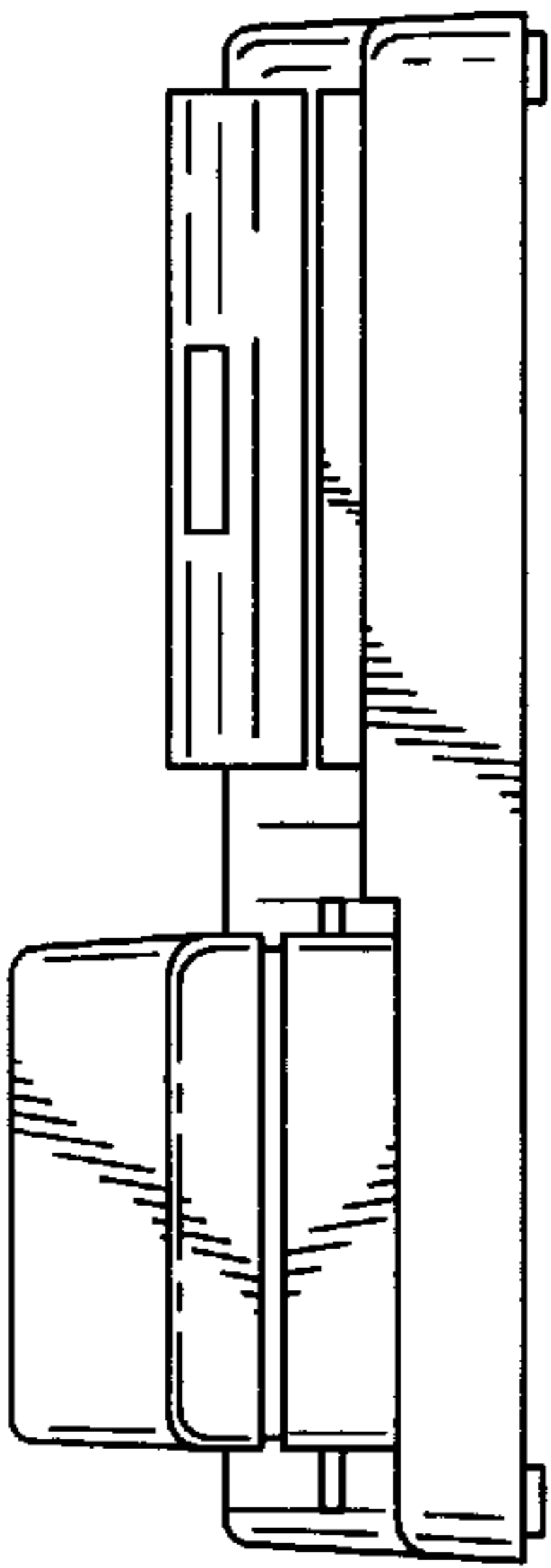


FIG. 4

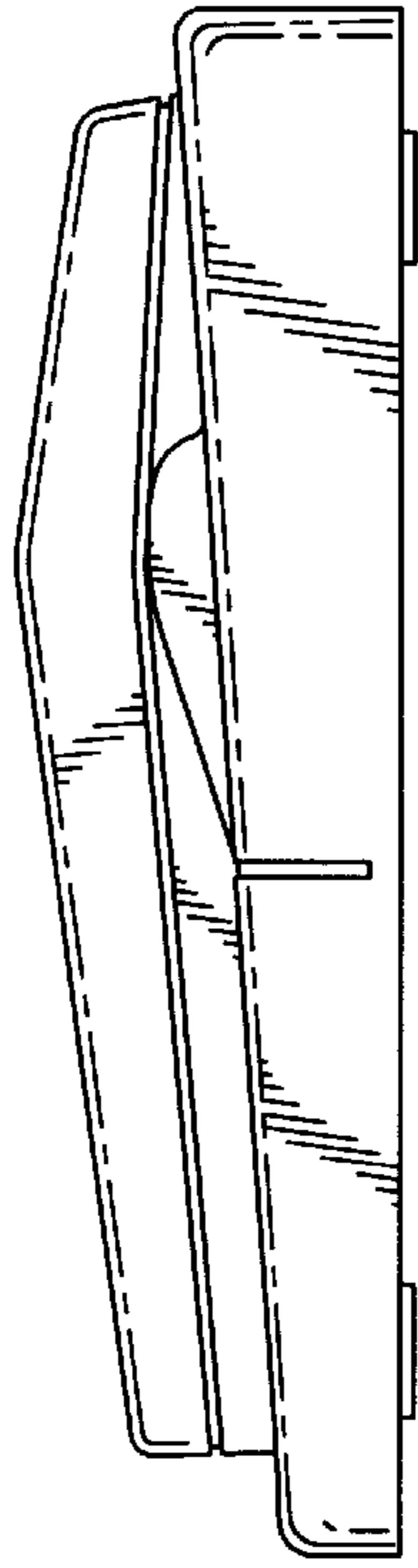


FIG. 5

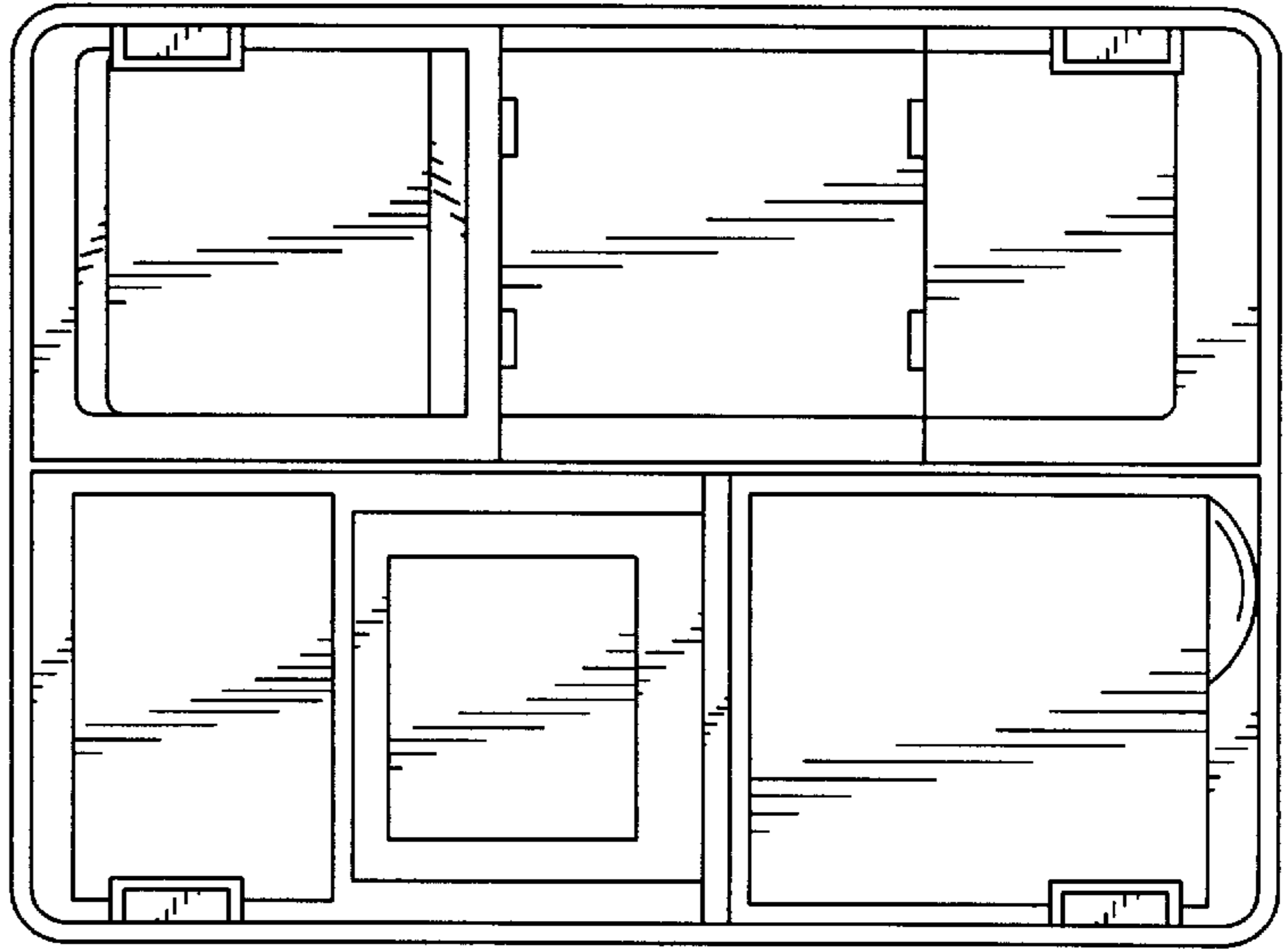


FIG. 6

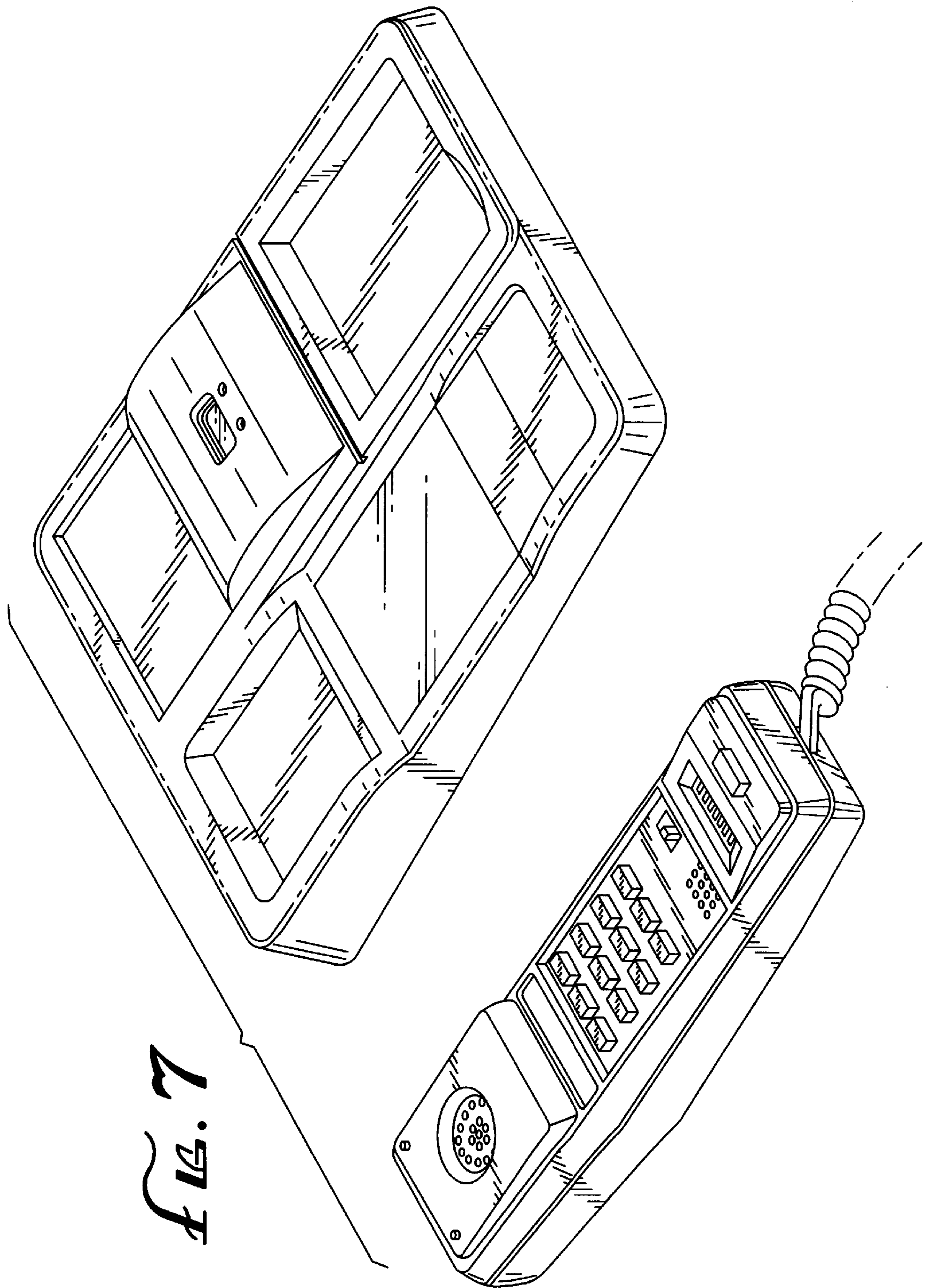


FIG. 7