

US00D405443S

United States Patent [19] Marsh

[11] **Patent Number: Des. 405,443**

[45] **Date of Patent: **Feb. 9, 1999**

[54] **AIRCRAFT PERSONAL VIDEO MONITOR**

5,177,616 1/1993 Riday 248/917 X
5,179,447 1/1993 Lain 248/917 X

[75] Inventor: **Ricky Dale Marsh**, Heber Springs, Ark.

Primary Examiner—Sandra L. Morris
Assistant Examiner—Richelle Shelton
Attorney, Agent, or Firm—Stephen D. Carver

[73] Assignee: **Audio International Inc.**, North Little Rock, Ark.

[**] Term: **14 Years**

[57] **CLAIM**

The ornamental design for an aircraft personal video monitor, as shown and described.

[21] Appl. No.: **56,438**

DESCRIPTION

[22] Filed: **Jun. 28, 1996**

[51] **LOC (6) Cl.** **14-03**

[52] **U.S. Cl.** **D14/126; D12/345; D14/113; D14/132**

[58] **Field of Search** D14/113, 124-134; 312/7.2; 348/836, 838, 789; 248/917-924; D12/345; D24/158

FIG. 1 is a front perspective view of my aircraft personal video monitor;
FIG. 2 is a rear perspective view thereof;
FIG. 3 is a front elevational view;
FIG. 4 is a left side elevational view;
FIG. 5 is a right side elevational view;
FIG. 6 is a rear elevational view;
FIG. 7 is a top plan view, taken from the top of FIG. 6 and looking down; and,
FIG. 8 is a bottom plan view, taken from the bottom of FIG. 6 and looking up.

[56] **References Cited**

U.S. PATENT DOCUMENTS

| | | | | |
|------------|---------|--------------|-------|---------|
| D. 340,235 | 10/1993 | Robak et al. | | D14/113 |
| D. 373,584 | 9/1996 | Anand | | D14/126 |
| 2,783,114 | 2/1957 | Raduns | | 312/72 |

1 Claim, 3 Drawing Sheets

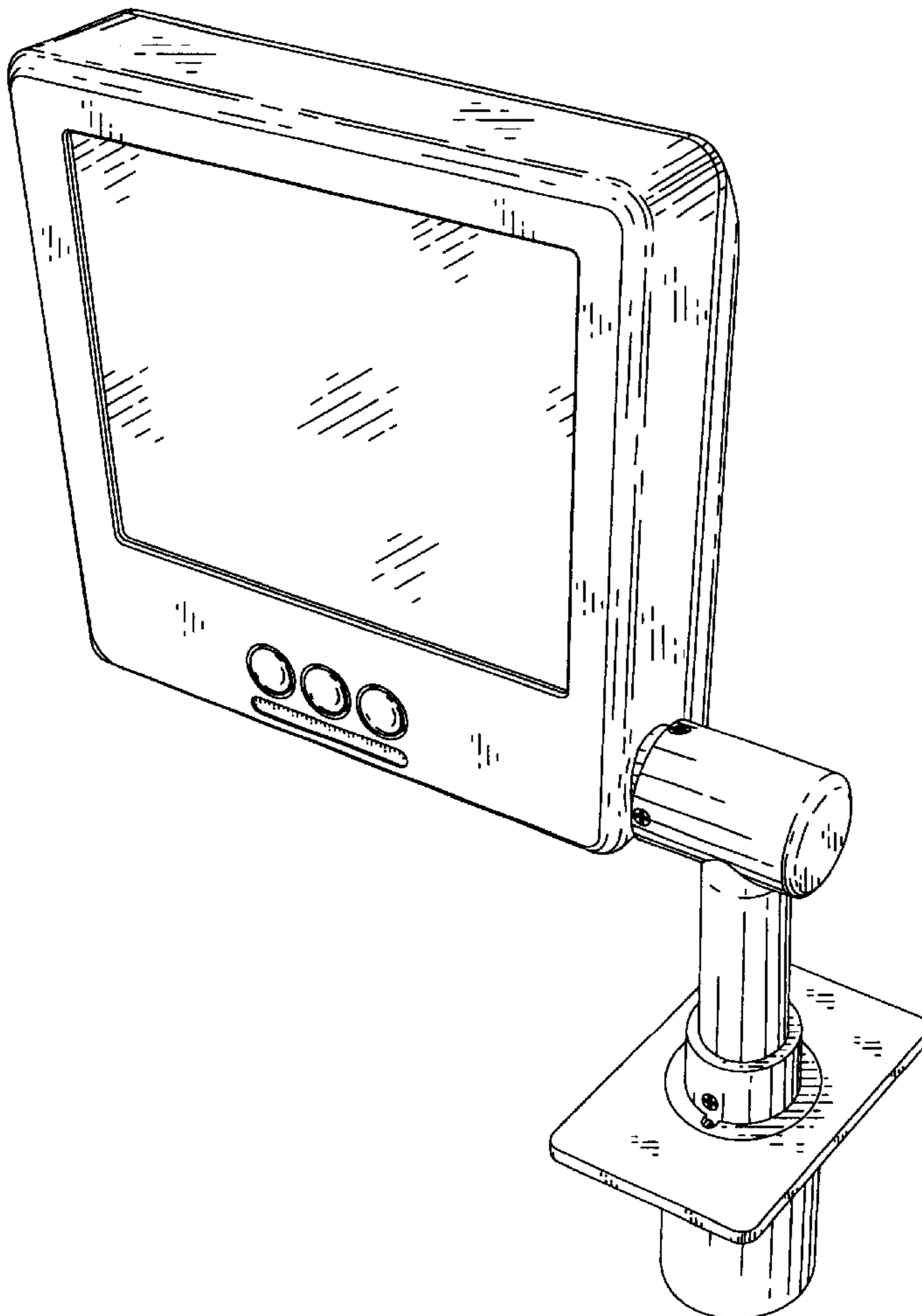


FIG. 1

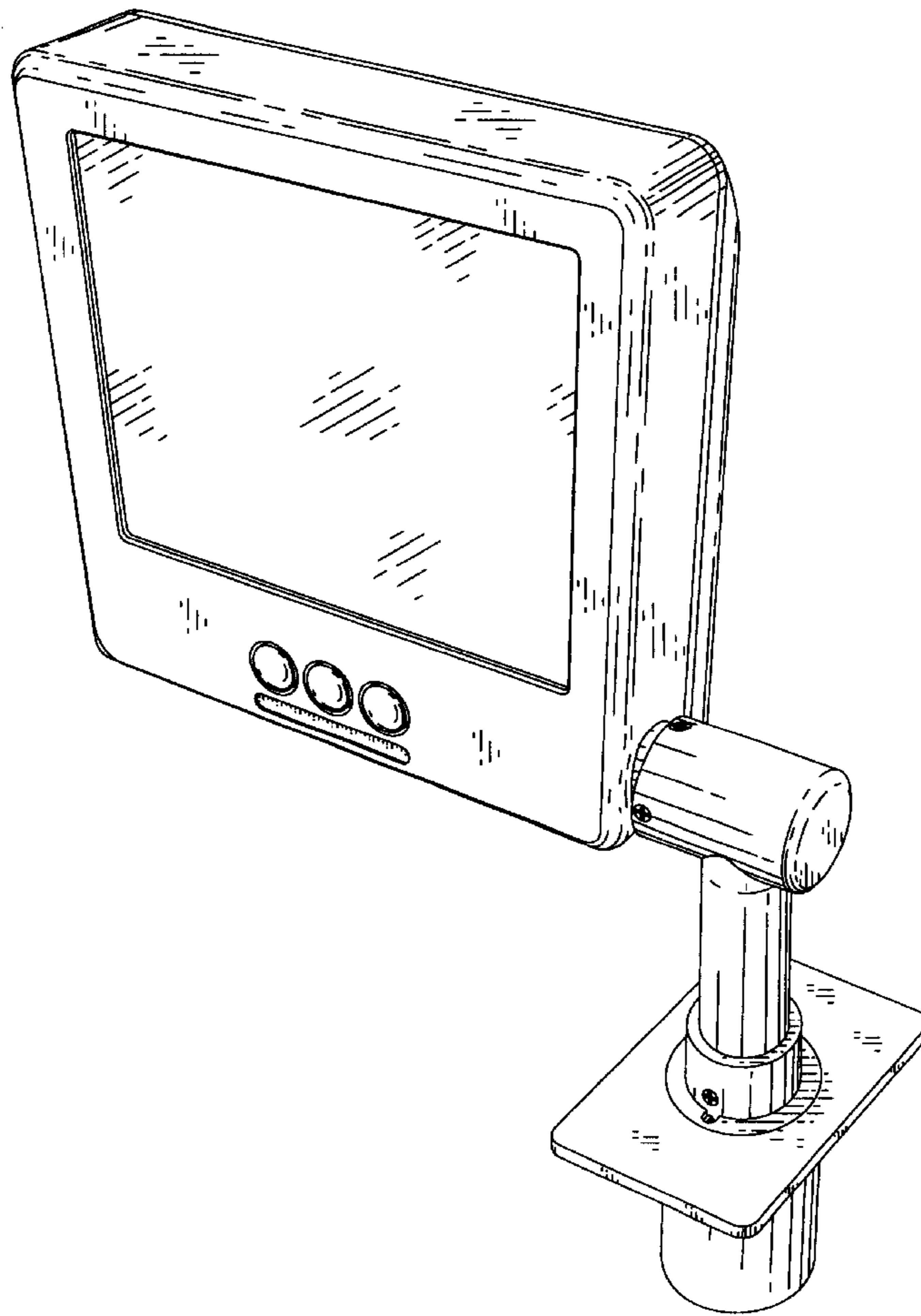


FIG. 2

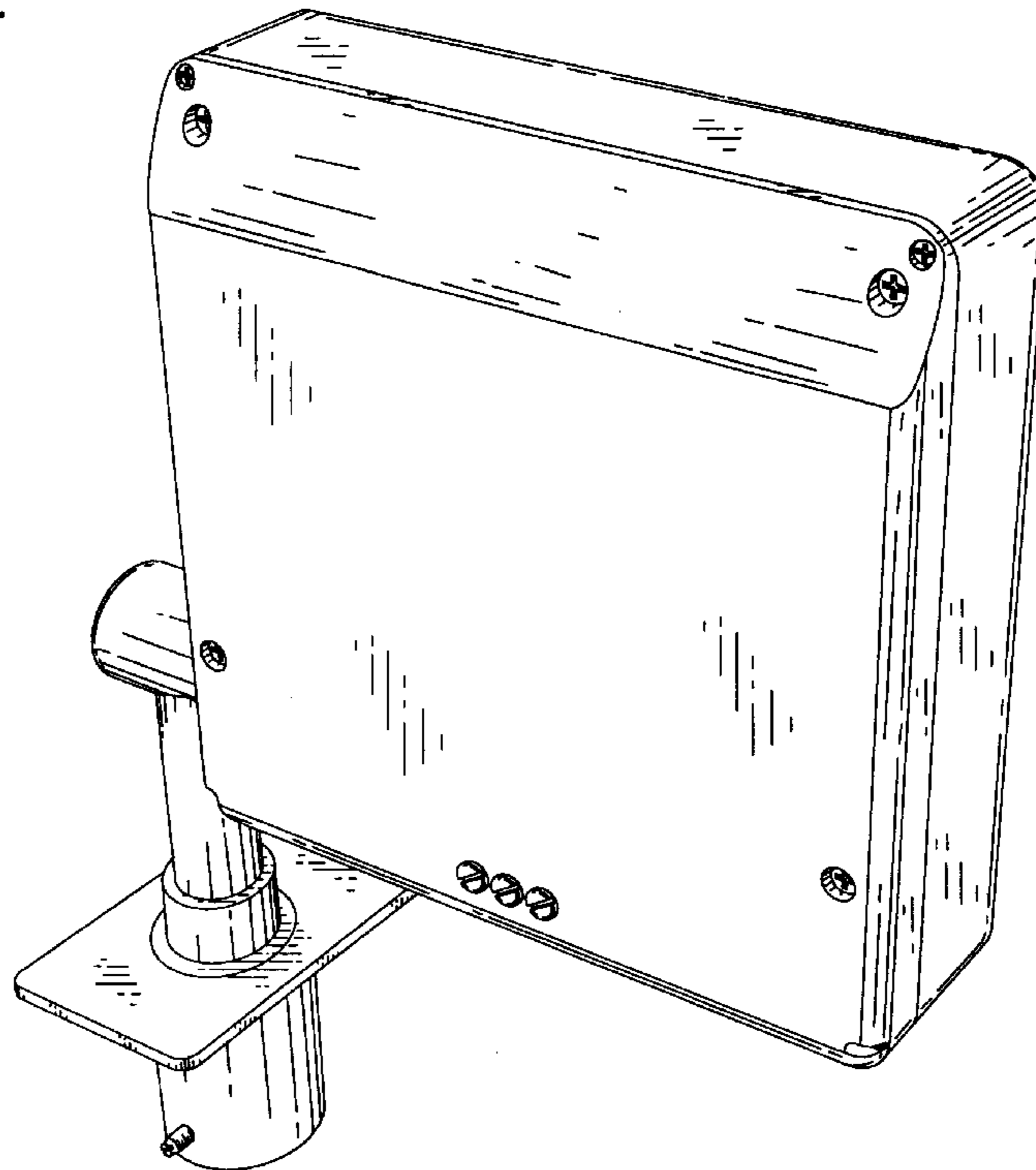


FIG. 3

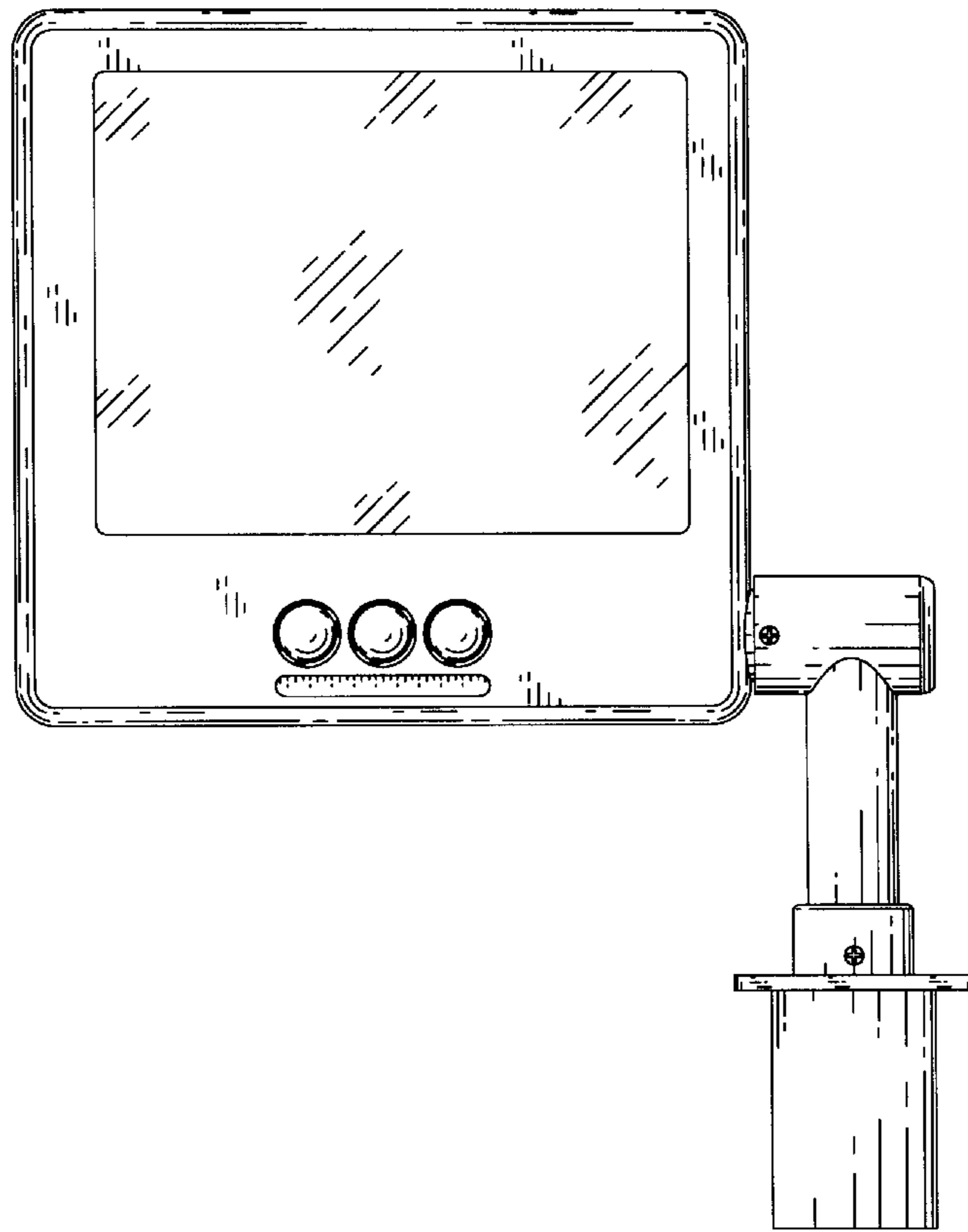


FIG. 4

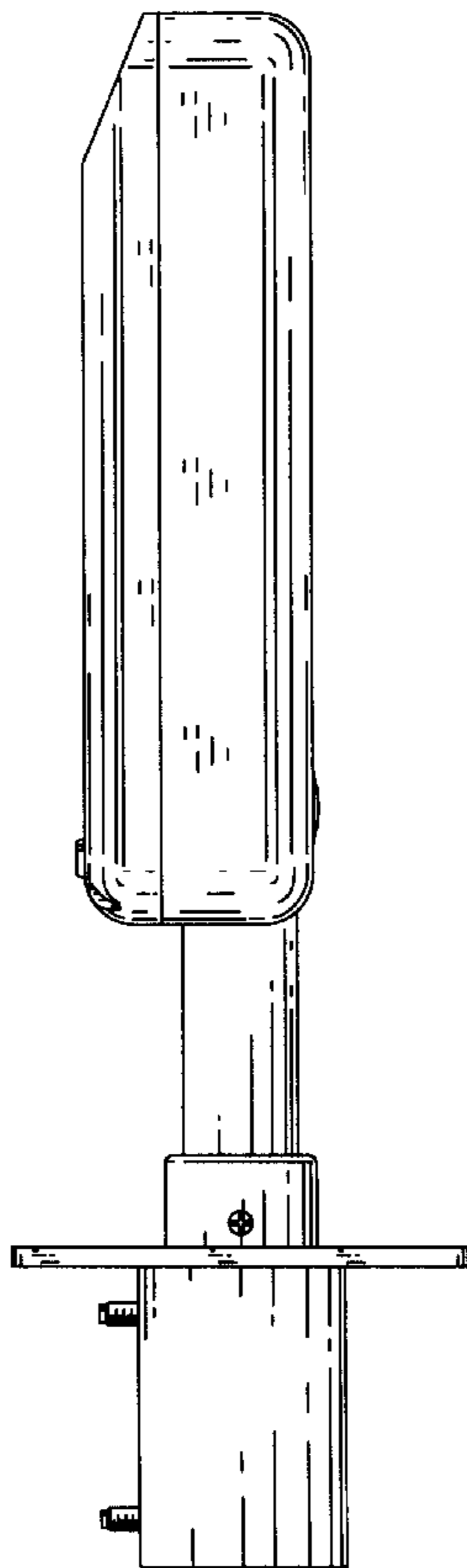


FIG. 5

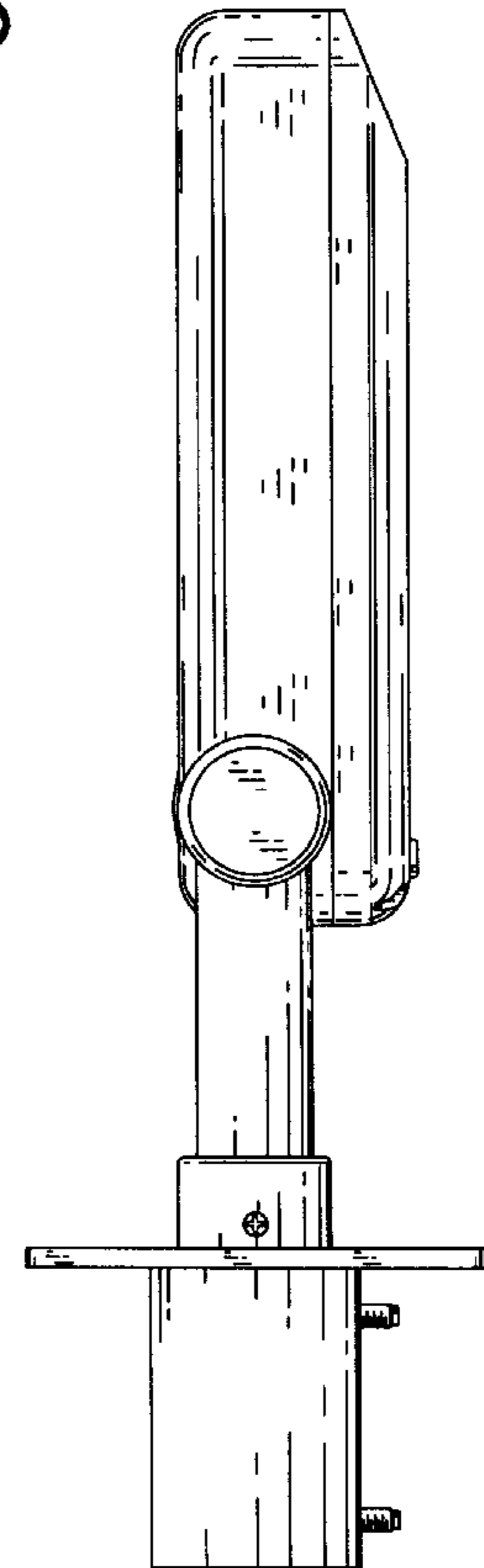


FIG. 6

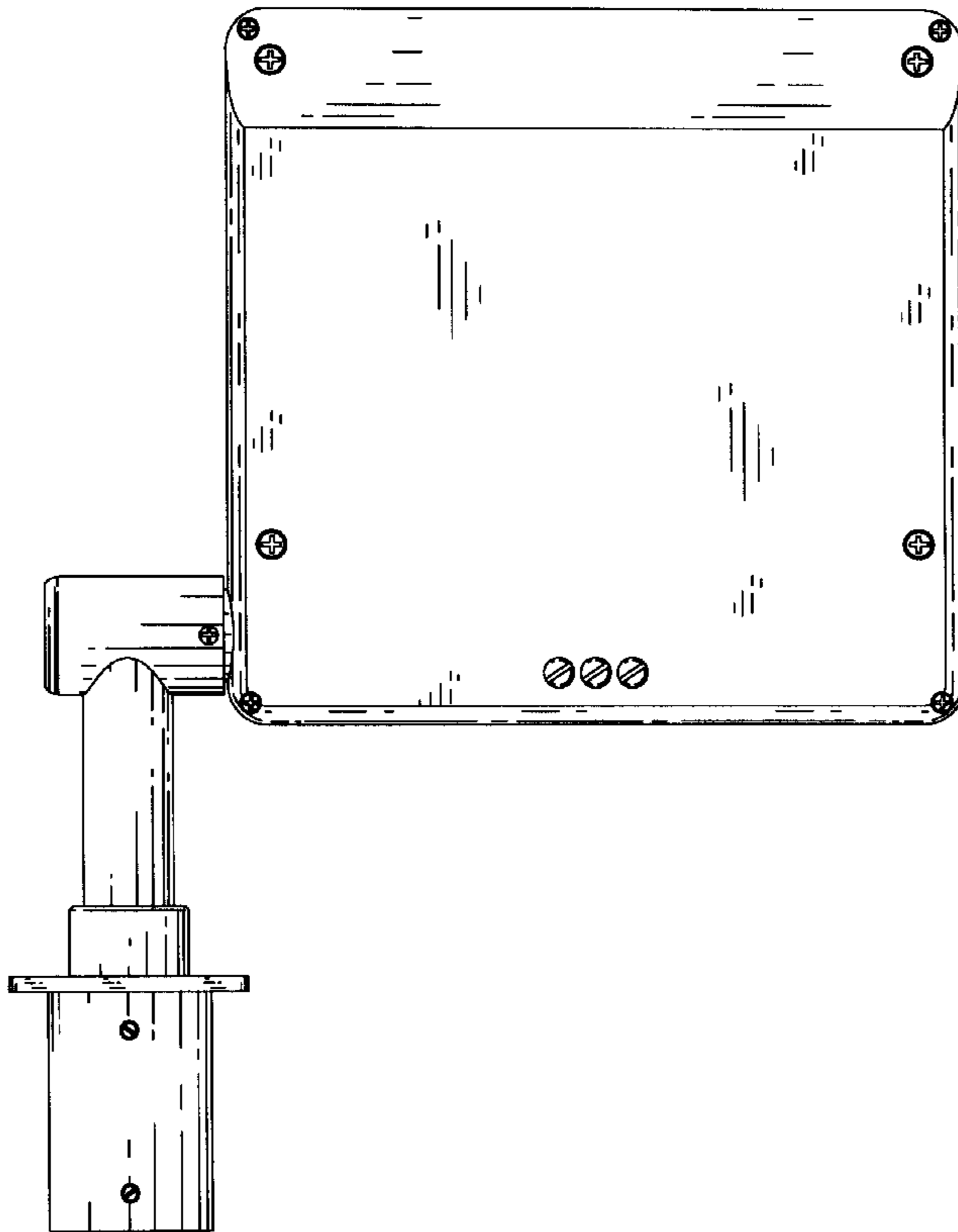


FIG. 7

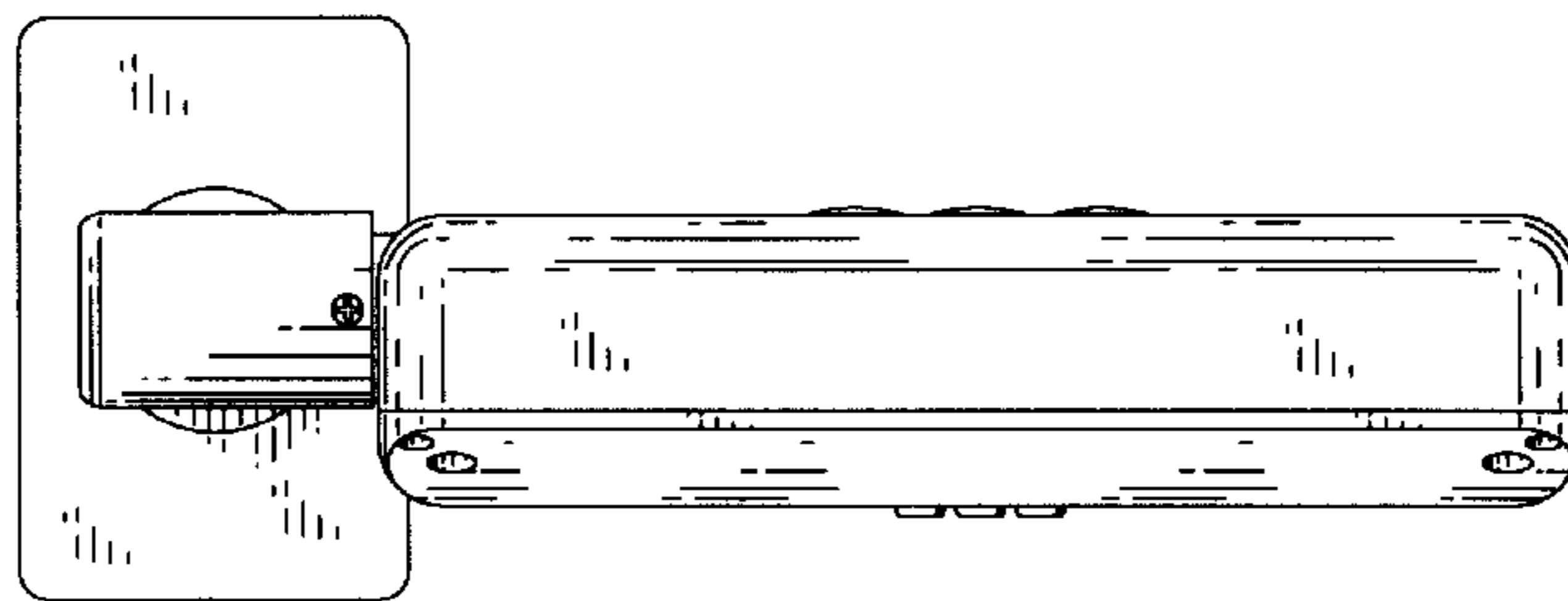


FIG. 8

