



US00D405436S

# United States Patent [19]

Hill et al.

[11] **Patent Number:** **Des. 405,436**

[45] **Date of Patent:** **\*\*Feb. 9, 1999**

[54] **COMPUTER MONITOR**

[75] Inventors: **David Wayne Hill**, Cary; **John David Swanse**y, Durham, both of N.C.

[73] Assignee: **International Business Machines Corporation**, Armonk, N.Y.

[\*\*] Term: **14 Years**

[21] Appl. No.: **83,513**

[22] Filed: **Jan. 14, 1998**

[51] **LOC (6) Cl.** ..... **14-02**

[52] **U.S. Cl.** ..... **D14/113; D14/126**

[58] **Field of Search** ..... D14/100, 101, D14/106, 113, 124-129; 248/917-924; 341/12; 345/104, 133, 156, 168, 87, 173, 901-905; 348/180, 184, 325, 739

[56] **References Cited**

**U.S. PATENT DOCUMENTS**

- D. 377,483 1/1997 Takami et al. .... D14/113
- D. 384,046 9/1997 Oates ..... D14/113

*Primary Examiner*—Freda Nunn

*Attorney, Agent, or Firm*—Anthony N. Magistrale; Andrew J. Dillon

[57] **CLAIM**

The ornamental design for a computer monitor, as shown and described.

**DESCRIPTION**

FIG. 1 is a perspective view of the computer monitor of the present invention;  
 FIG. 2 is a front view of the computer monitor of the present invention;  
 FIG. 3 is a rear view of the computer monitor of the present invention;  
 FIG. 4 is a right-side view of the computer monitor of the present invention;  
 FIG. 5 is a left-side view of the computer monitor of the present invention;  
 FIG. 6 is a top view of the computer monitor of the present invention; and,  
 FIG. 7 is a bottom view of the computer monitor of the present invention.

The partial hatching shown in FIGS. 1, 2, 4, 5, 6 and 7 is understood to represent a conventional speaker.

**1 Claim, 7 Drawing Sheets**

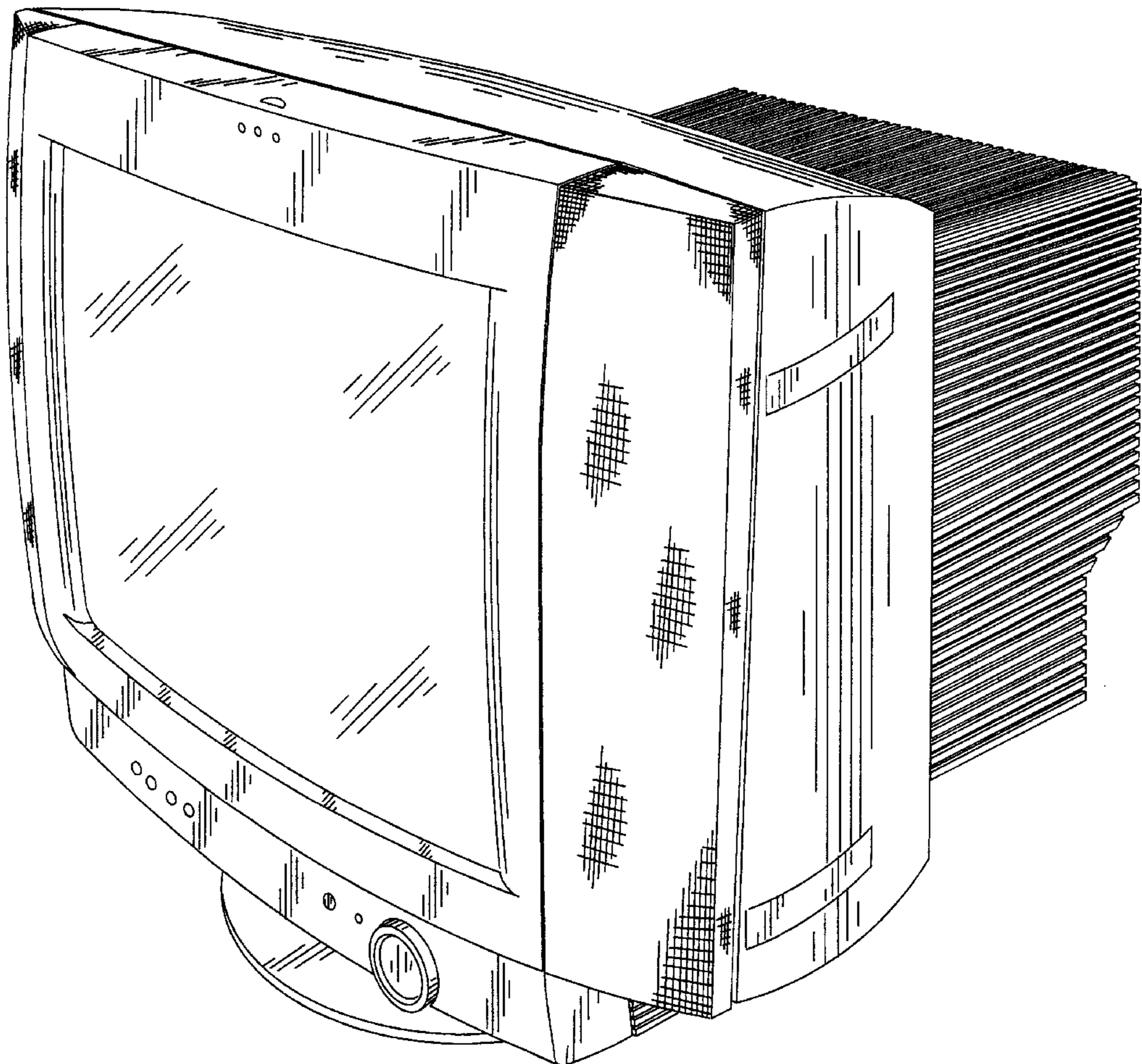


FIG. 1

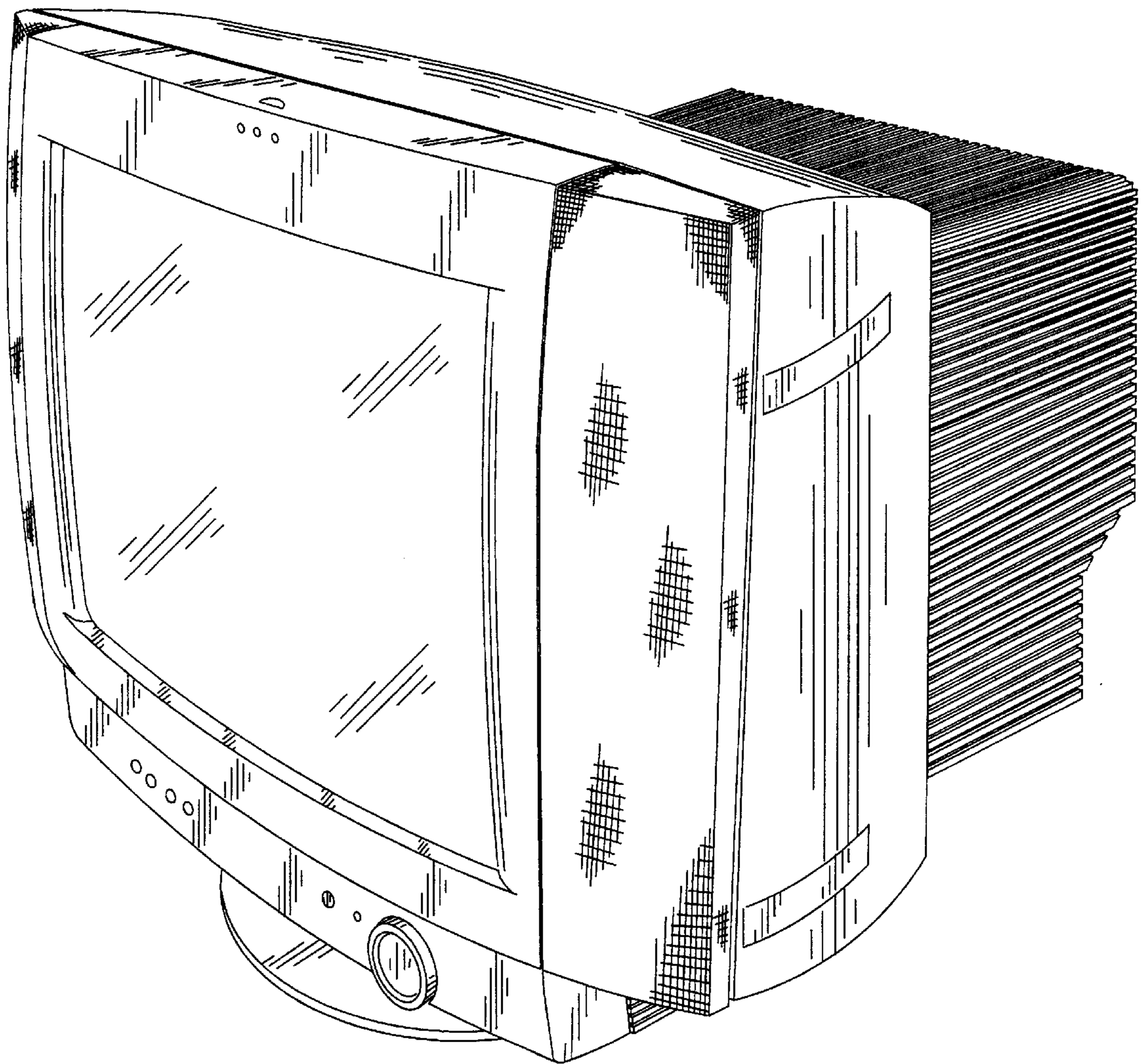


FIG. 2

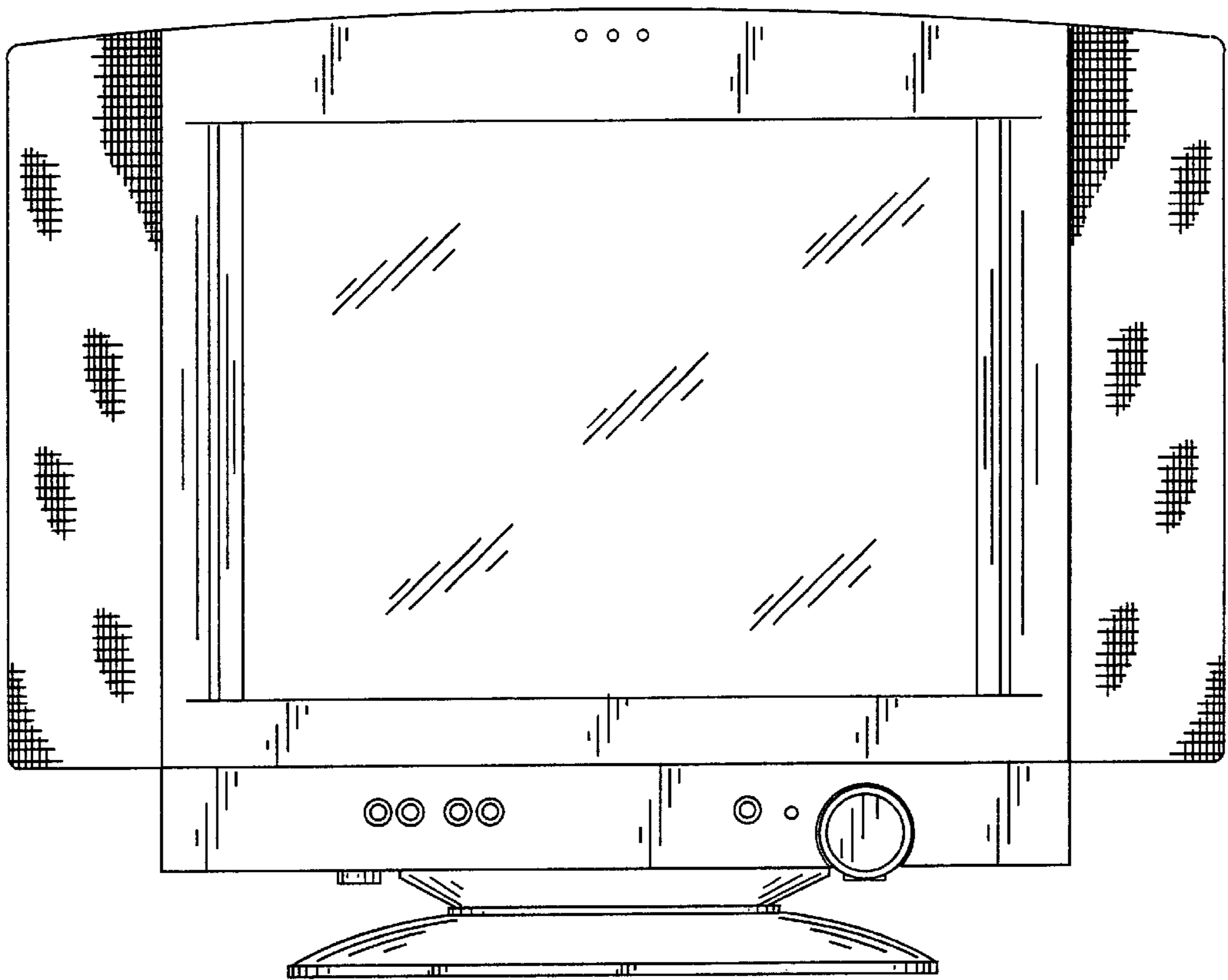


FIG. 3

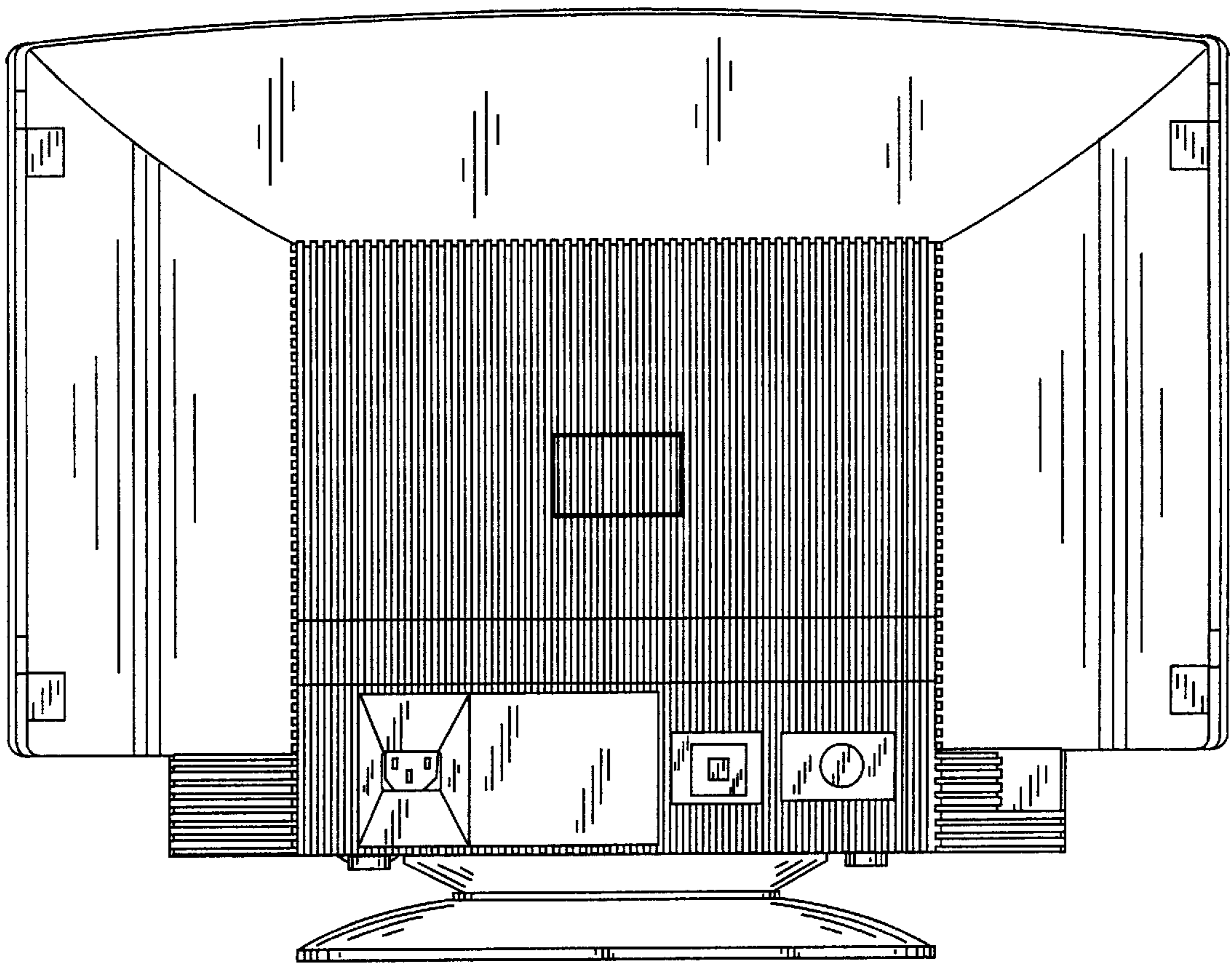


FIG. 4

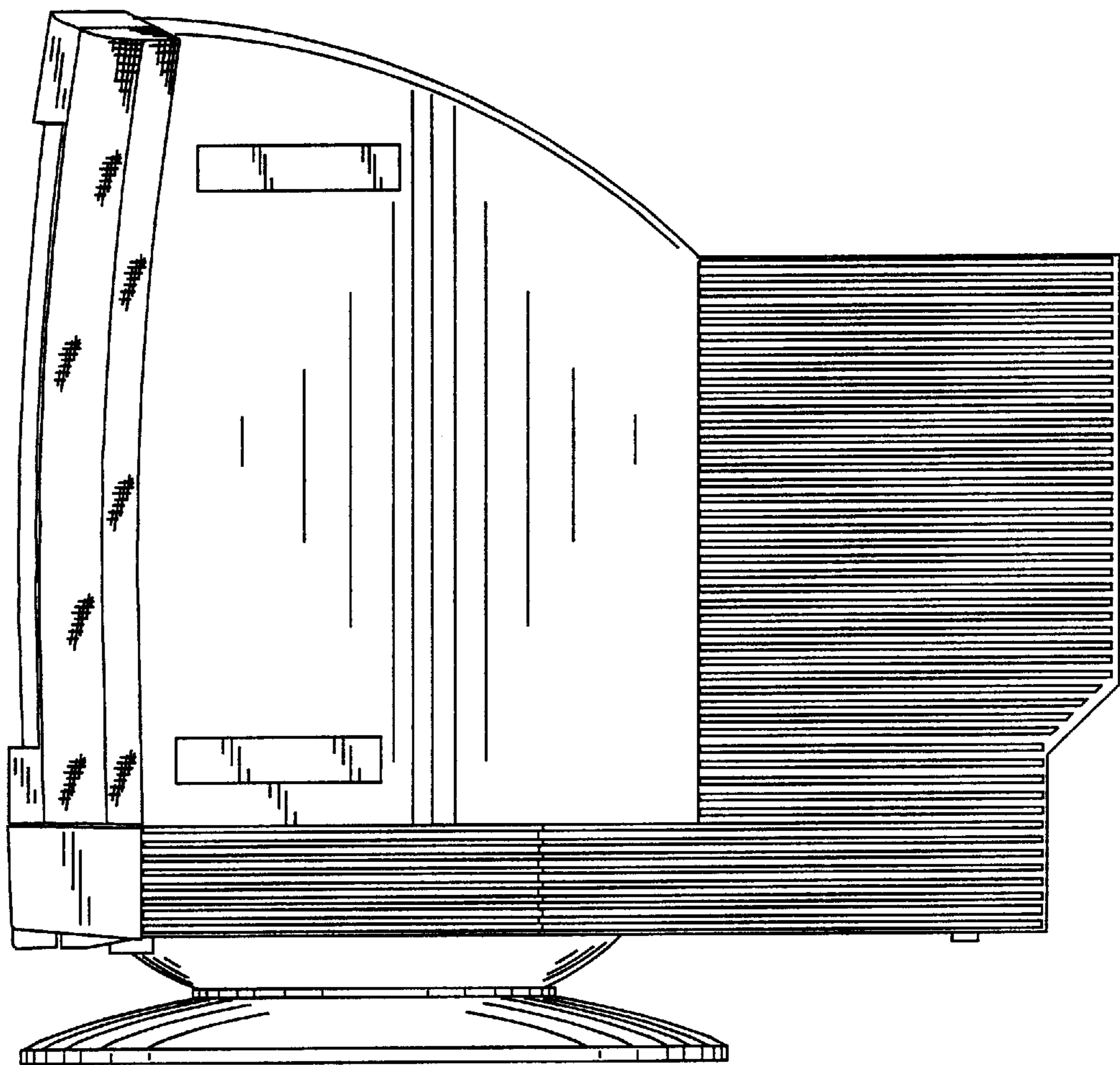


FIG. 5

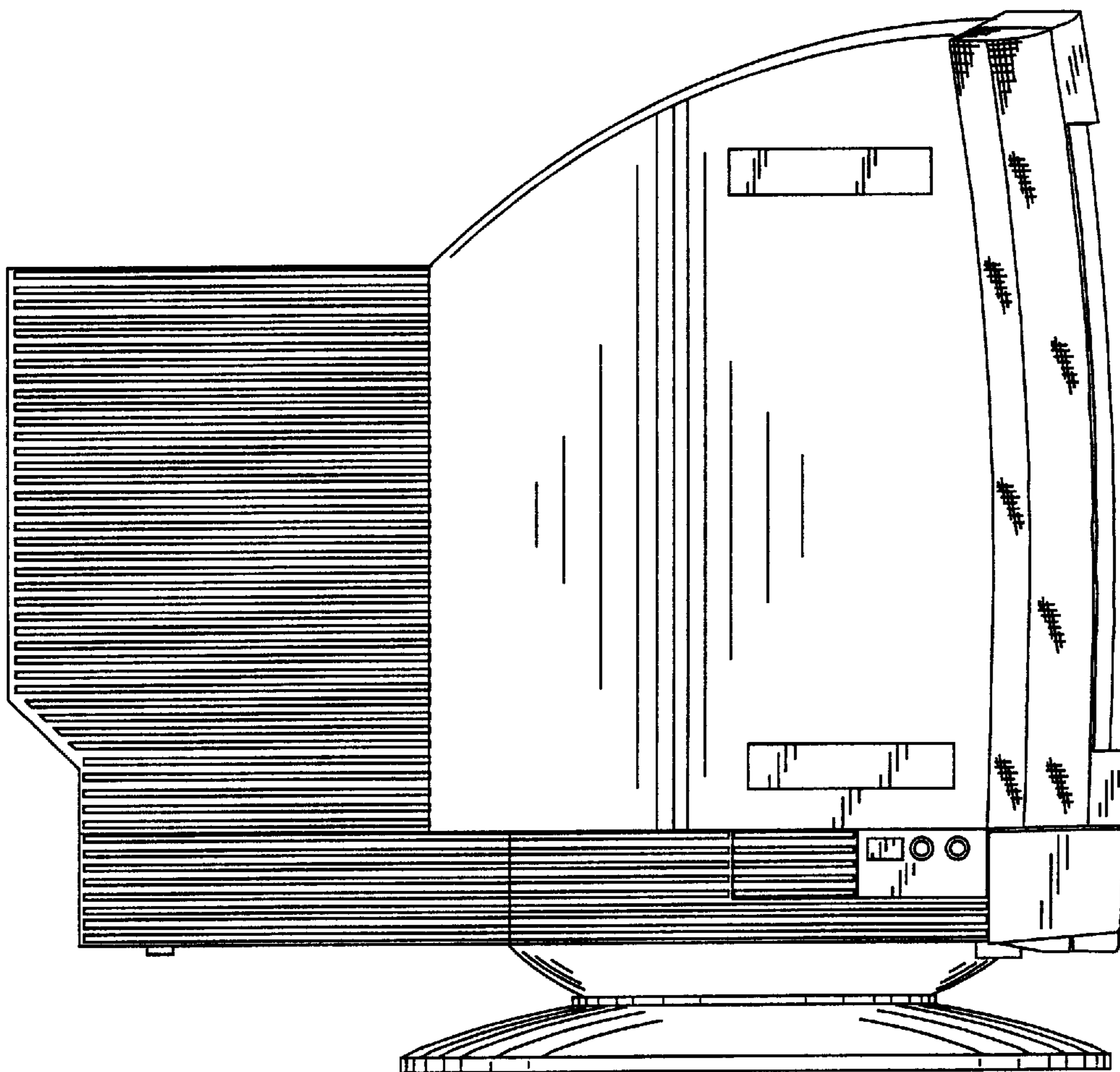


FIG. 6

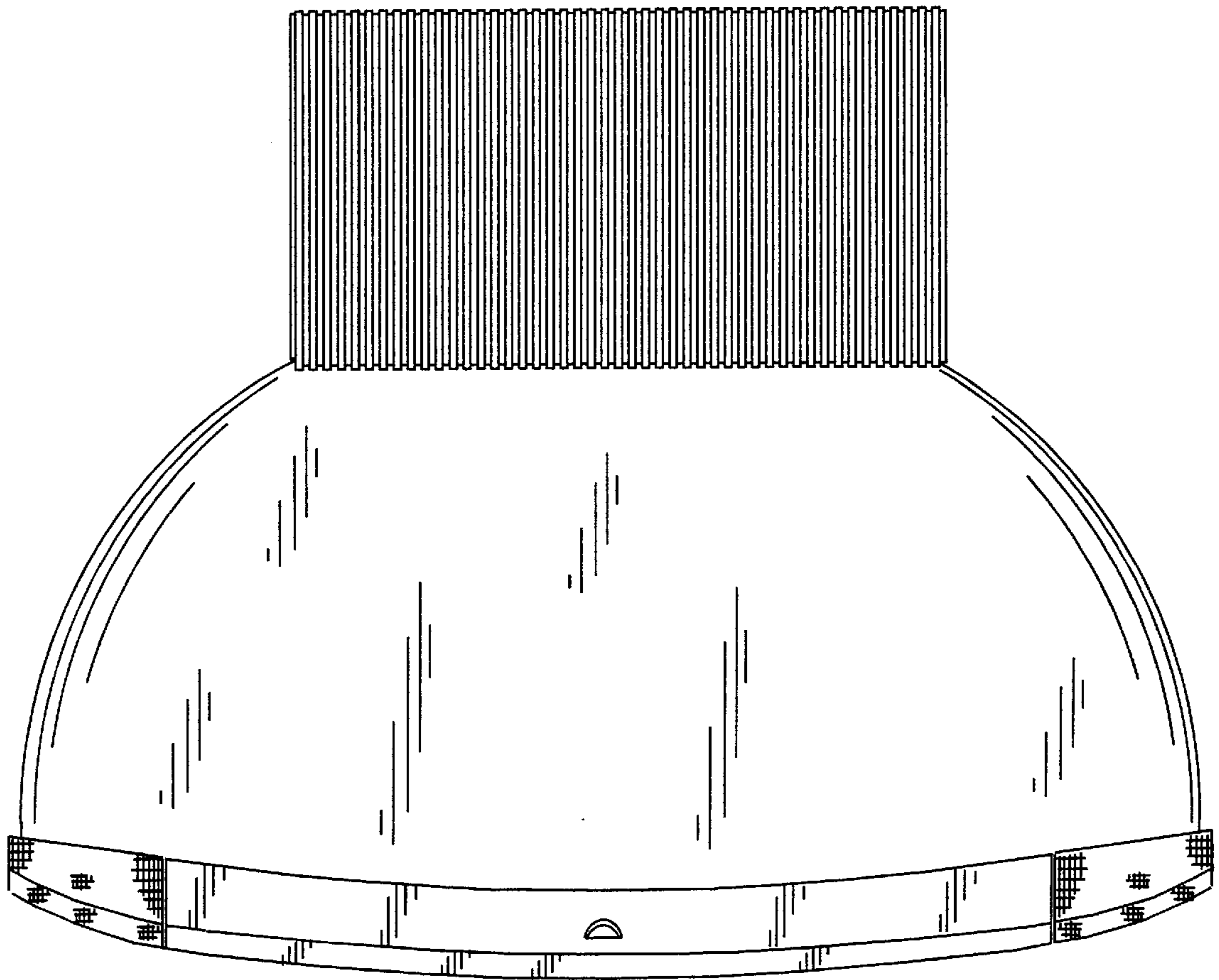


FIG. 7

