



US00D405425S

# United States Patent [19]

Hikita

[11] Patent Number: Des. 405,425

[45] Date of Patent: \*\*Feb. 9, 1999

## [54] TAPE MOUNTED HEATSINK PACKAGE FOR ELECTRONIC PARTS

[75] Inventor: Fumihiko Hikita, Kawagoe, Japan

[73] Assignee: Kyoshin Kogyo Co., Ltd., Tokyo, Japan

[\*\*] Term: 14 Years

[21] Appl. No.: 77,280

[22] Filed: Oct. 1, 1997

### [30] Foreign Application Priority Data

Jun. 10, 1997 [JP] Japan ..... 9-57414

[51] LOC (6) Cl. .... 13-03

[52] U.S. Cl. .... D13/179

[58] Field of Search ..... D13/179; 174/15.1, 174/16.3; 165/82.3, 185

### [56] References Cited

#### U.S. PATENT DOCUMENTS

- D. 301,334 5/1989 Dupasquier et al. .... D13/179
- D. 361,986 9/1995 Harmon ..... D13/179
- 4,872,505 10/1989 Jones et al. .... 165/80.3

Primary Examiner—Brian N. Vinson

### [57] CLAIM

The ornamental design for a tape mounted heatsink package for electronic parts, as shown and described.

### DESCRIPTION

FIG. 1 is a top plan view of a tape mounted heatsink package for electronic parts showing my new design; FIG. 2 is a front elevational view thereof; FIG. 3 is a bottom plan view thereof; FIG. 4 is a rear elevational view thereof; FIG. 5 is a left side elevational view thereof, the right side elevational view being mirror image; FIG. 6 is a sectional view thereof, taken along line 6—6 in FIG. 2; and, FIG. 7 is a top, front, and left side perspective view thereof, showing a pair of the heatsinks detached from the tape strip and mounted on an electronic circuit board assembly shown in broken-lines to indicate that it is not intended to form part of the claimed design.

The claimed design is shown broken-away in the views to indicate indeterminate length, it being understood that the heat sink elements are continuous throughout the entire length of the packaging.

1 Claim, 4 Drawing Sheets

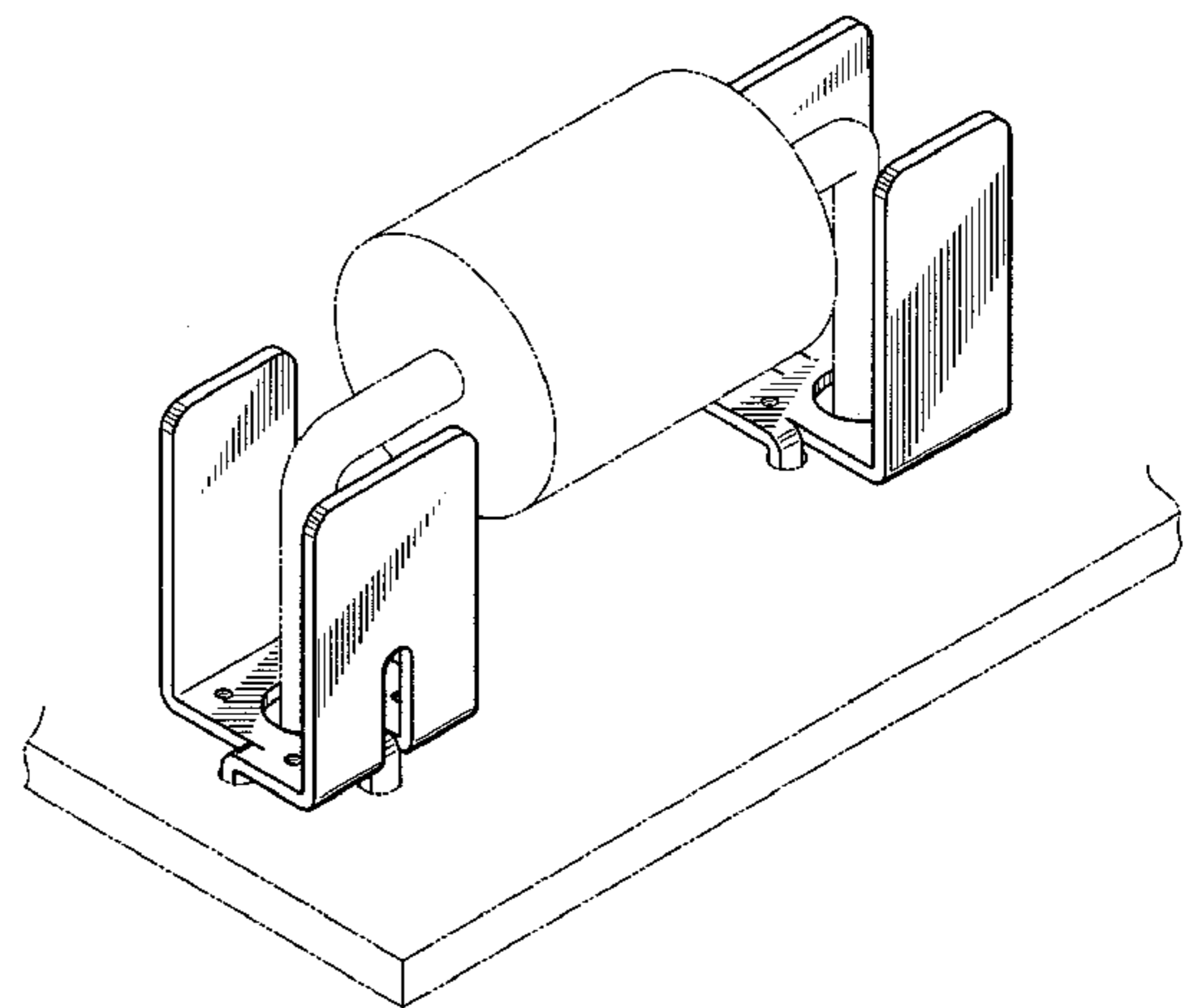
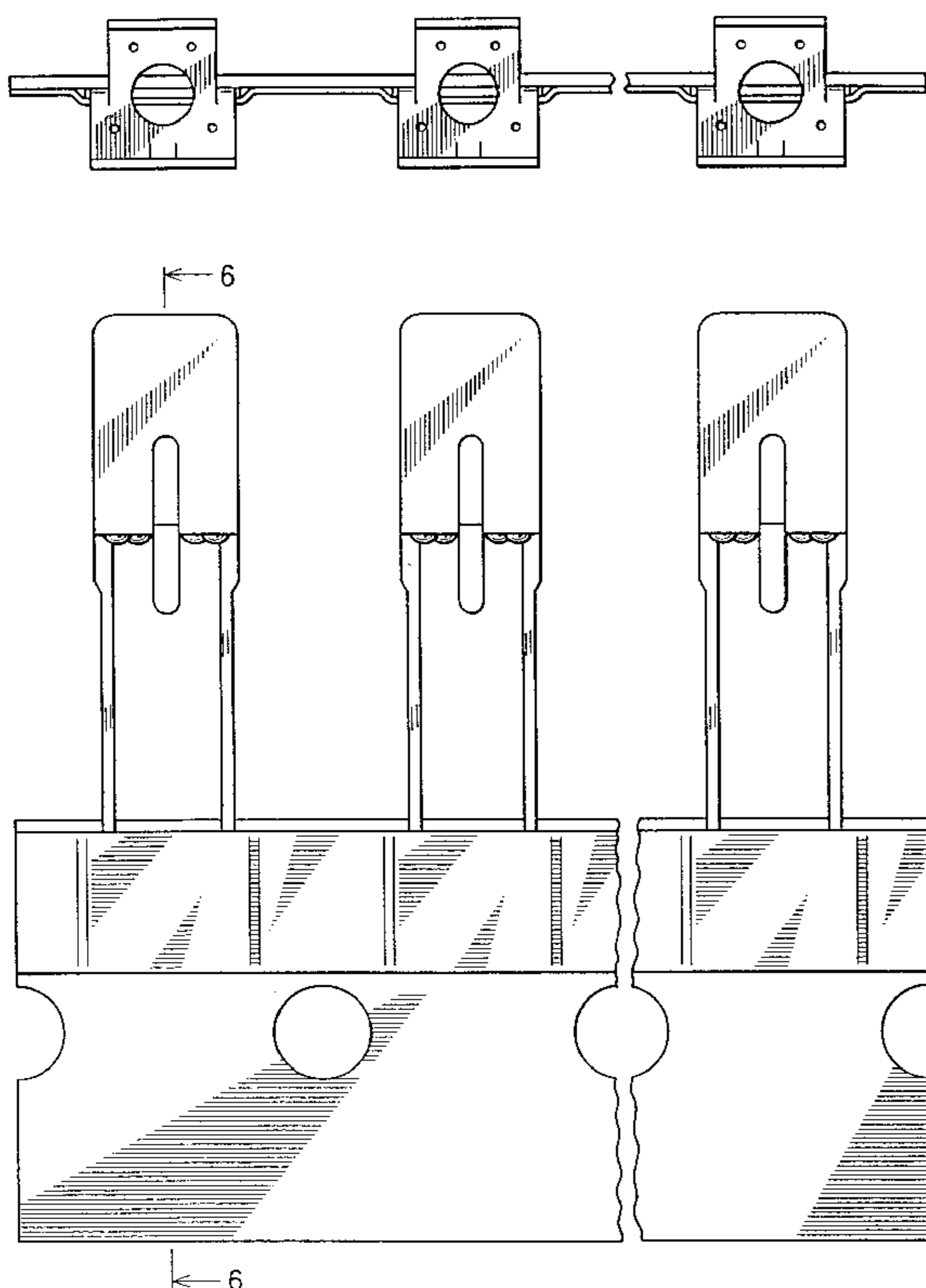


FIG. 1

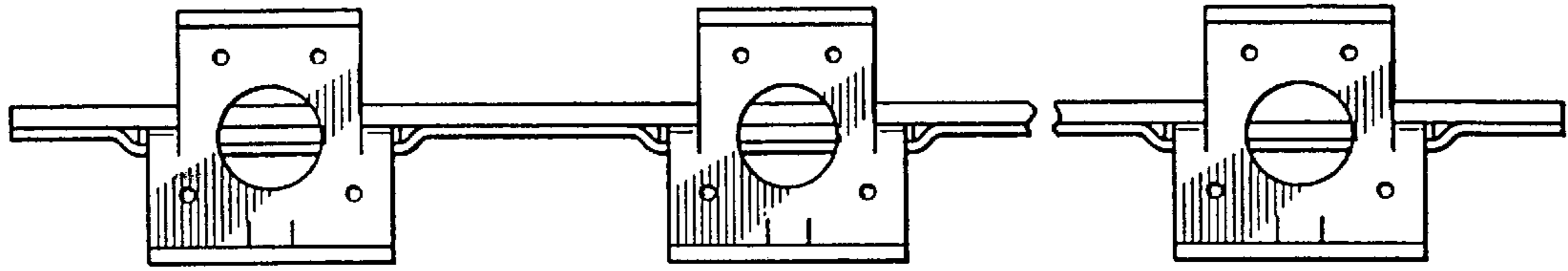


FIG. 2

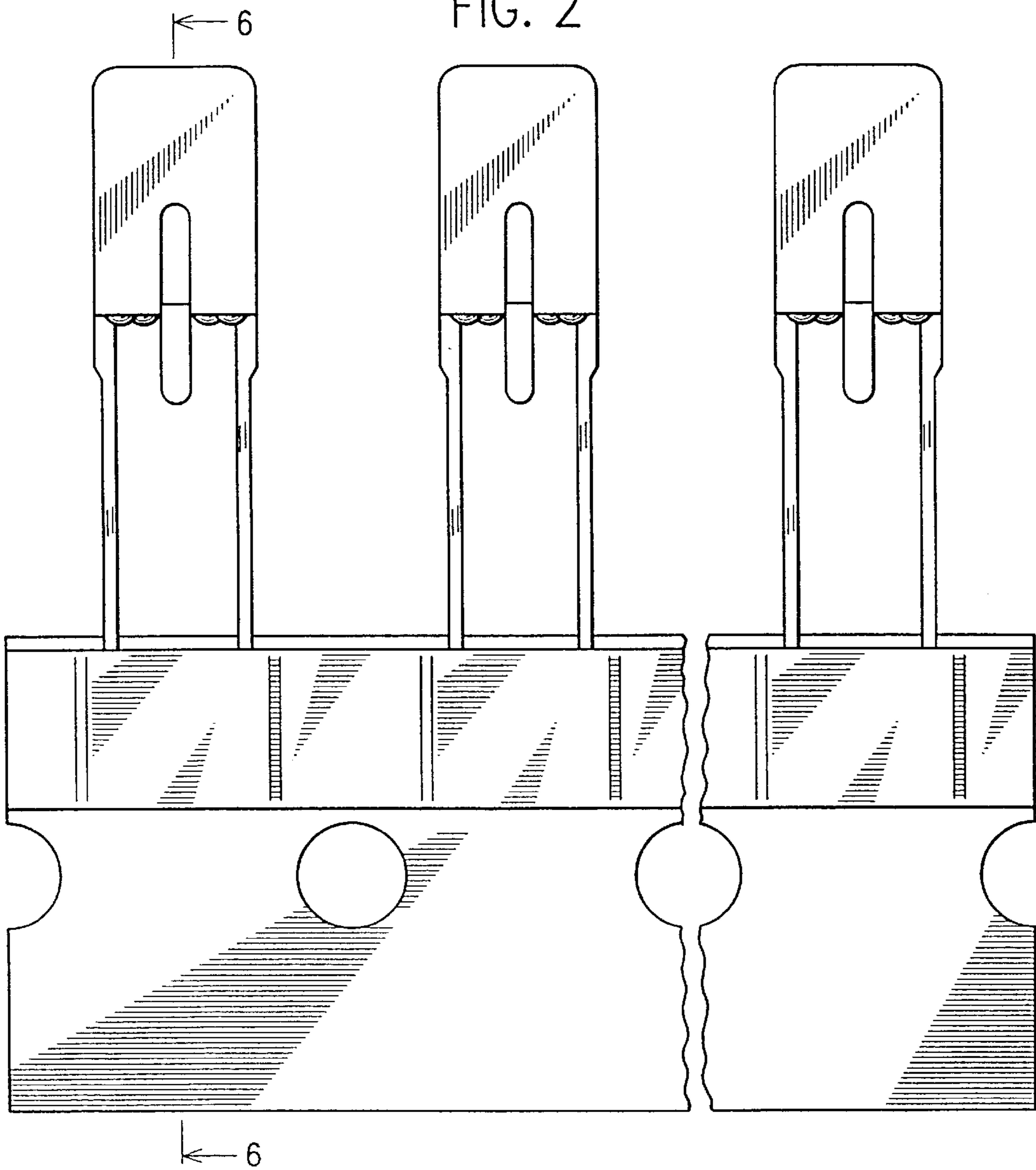


FIG. 3

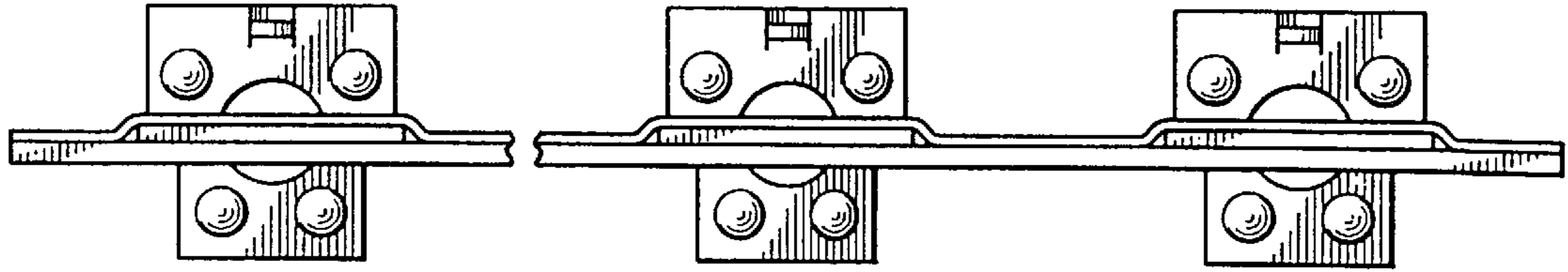


FIG. 4

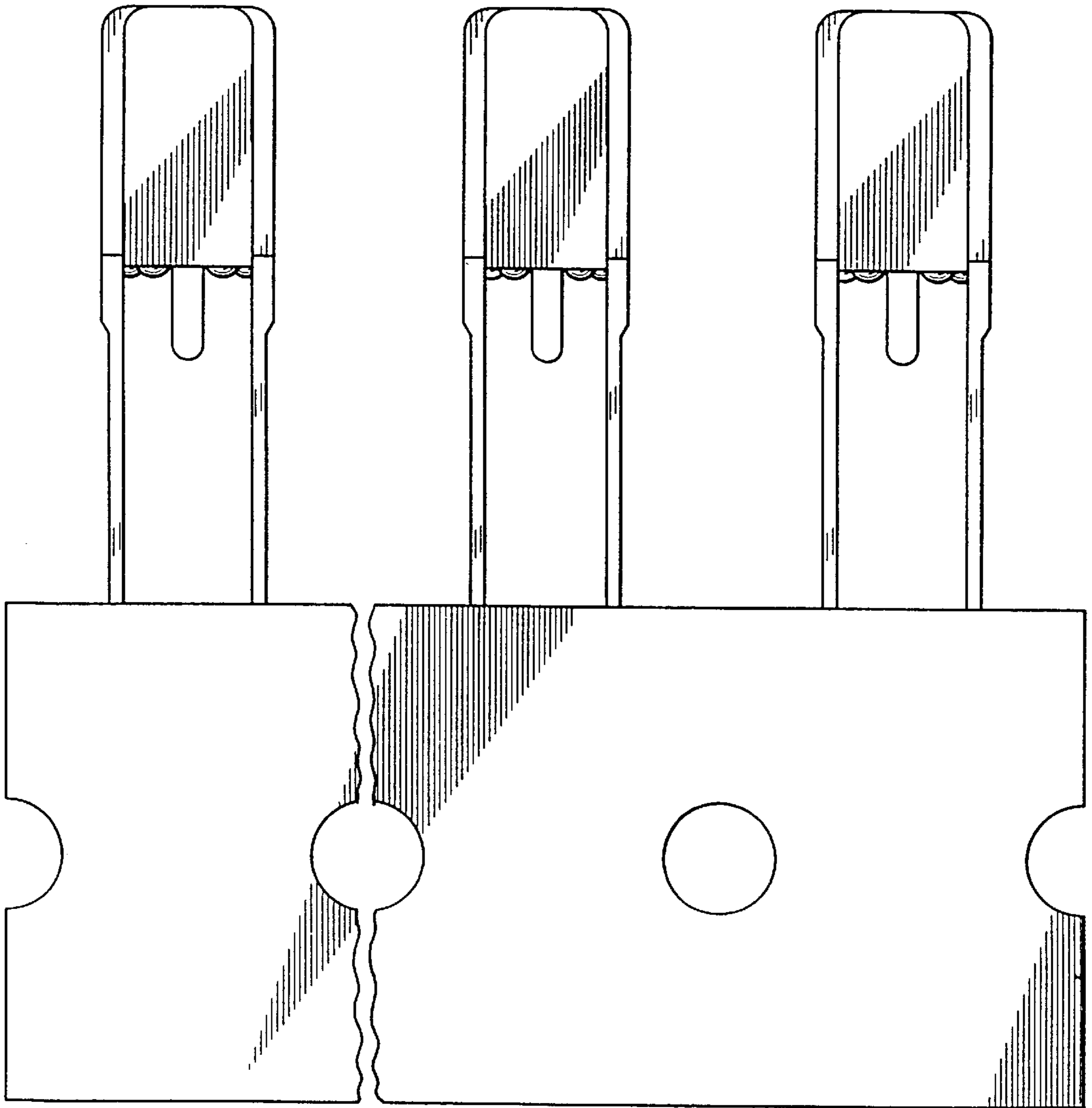


FIG. 5

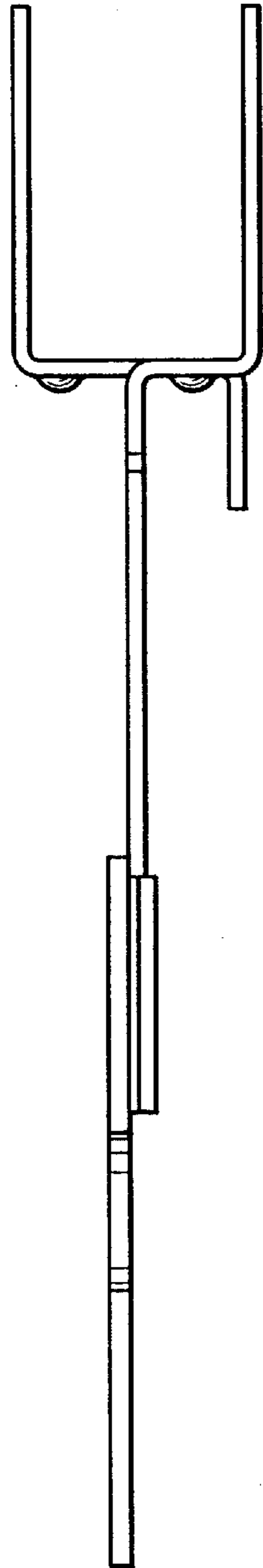


FIG. 6

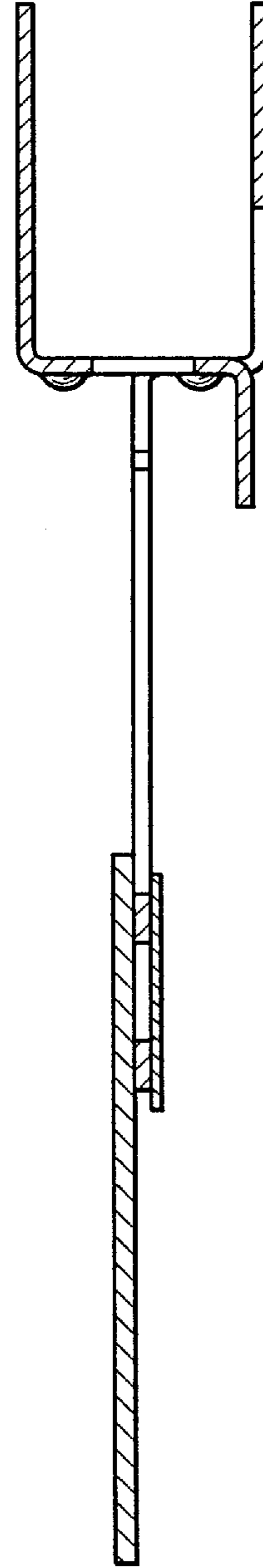


FIG. 7

