



US00D405423S

United States Patent [19]
Nakamura

[11] **Patent Number: Des. 405,423**

[45] **Date of Patent: **Feb. 9, 1999**

[54] **INSULATING COVER FOR A TERMINAL**

[75] Inventor: **Toshinobu Nakamura**, Tokyo, Japan

[73] Assignee: **Shinagawa Shoko Co., Ltd.**, Tokyo, Japan

[**] Term: **14 Years**

[21] Appl. No.: **83,507**

[22] Filed: **Feb. 11, 1998**

[30] **Foreign Application Priority Data**

Sep. 16, 1997 [JP] Japan 9-67508

[51] **LOC (6) Cl.** **13-03**

[52] **U.S. Cl.** **D13/156**

[58] **Field of Search** D13/156, 120;
174/138 F, 135; 439/596, 892, 467, 687,
902

[56] **References Cited**

U.S. PATENT DOCUMENTS

D. 203,828	2/1966	Wells	D13/156
D. 304,440	11/1989	Drake	D13/120
D. 316,398	4/1991	Hill	D13/120
D. 385,256	10/1997	Nakamura	D13/156
3,332,053	7/1967	Busler	439/596 X
3,534,150	10/1970	Kudlaty	174/138 F
4,698,459	10/1987	Drake	174/138
4,759,723	7/1988	Siemon	439/467 X
5,190,475	3/1993	Dickens	174/138 F X
5,346,407	9/1994	Hood	439/892

Primary Examiner—Joel Sincavage

Attorney, Agent, or Firm—Frishauf, Holtz, Goodman, Langer & Chick

[57] **CLAIM**

The ornamental design for an insulating cover for a terminal, as shown and described.

DESCRIPTION

FIG. 1 is a front, bottom and left side perspective view of an insulating cover for a terminal, showing my new design; FIG. 2 is a rear, bottom and right side perspective view thereof;

FIG. 3 is a front elevational view thereof;

FIG. 4 is a rear elevational view thereof;

FIG. 5 is a top plan view thereof;

FIG. 6 is a bottom plan view thereof;

FIG. 7 is a left side view thereof;

FIG. 8 is a right side view thereof;

FIG. 9 is a front, bottom and left side perspective view thereof, in an open state;

FIG. 10 is a rear, bottom and right side perspective view thereof in the open state;

FIG. 11 is a front elevational view thereof in the open state;

FIG. 12 is a rear elevational view thereof in the open state;

FIG. 13 is a left side view thereof in the open state;

FIG. 14 is a right side view thereof in the open state;

FIG. 15 is a top plan view thereof in the open state;

FIG. 16 is a bottom plan view thereof in the open state; and,

FIG. 17 is a front view thereof showing the terminal cover in use.

The broken line showing of the terminal and conductor is included for the purpose of illustrating environmental structure only and forms no part of the claimed design.

1 Claim, 5 Drawing Sheets

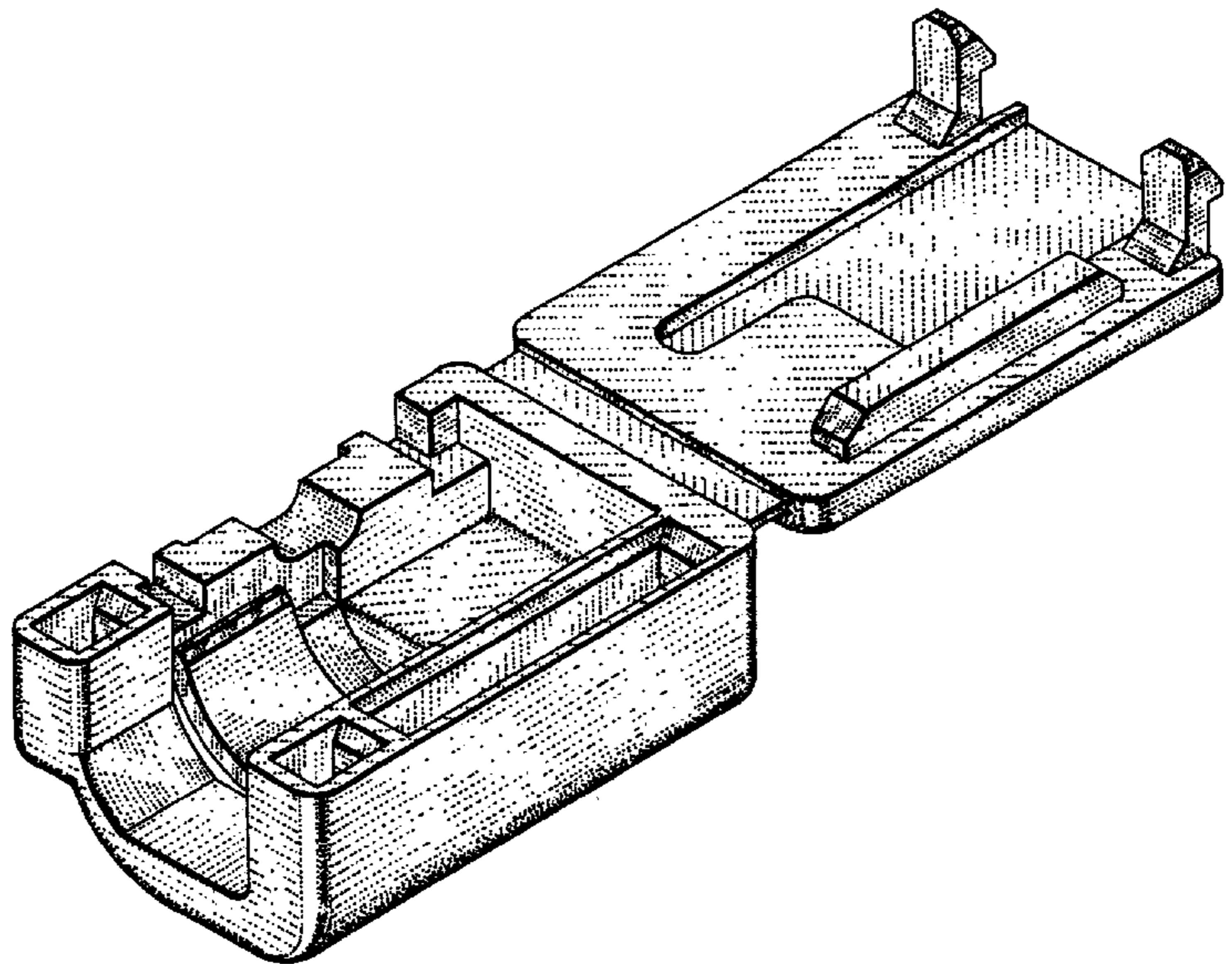
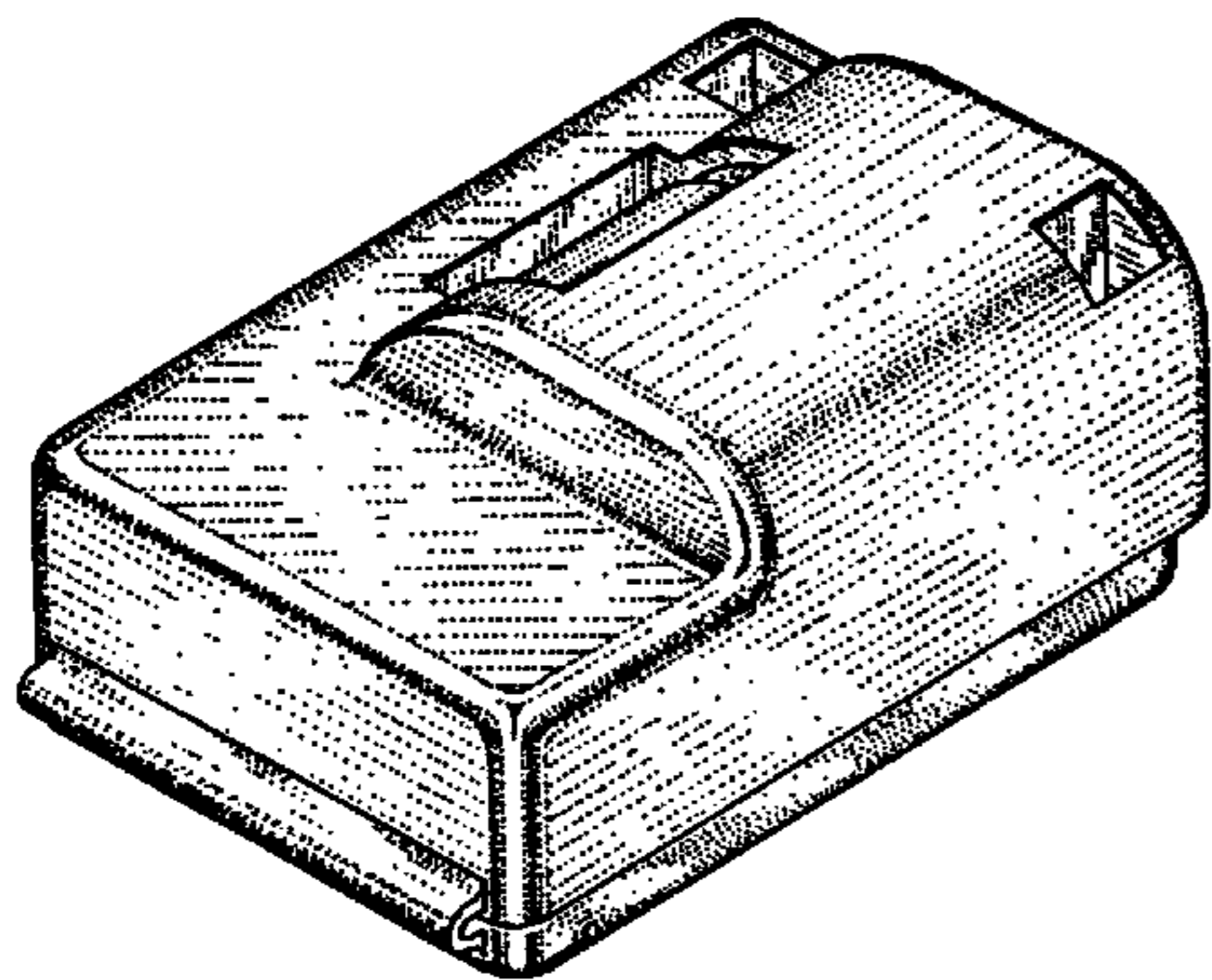


FIG. 1

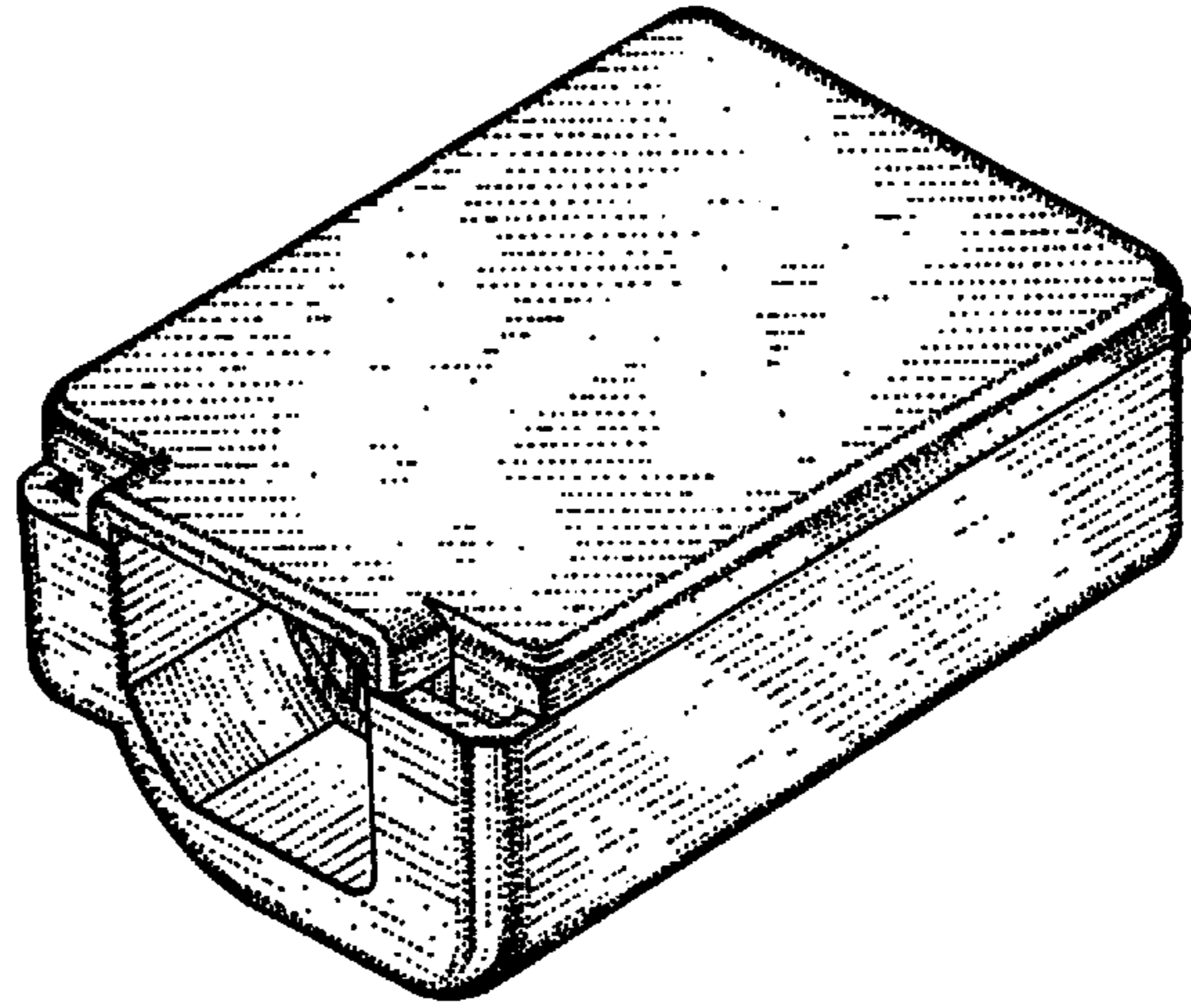


FIG. 2

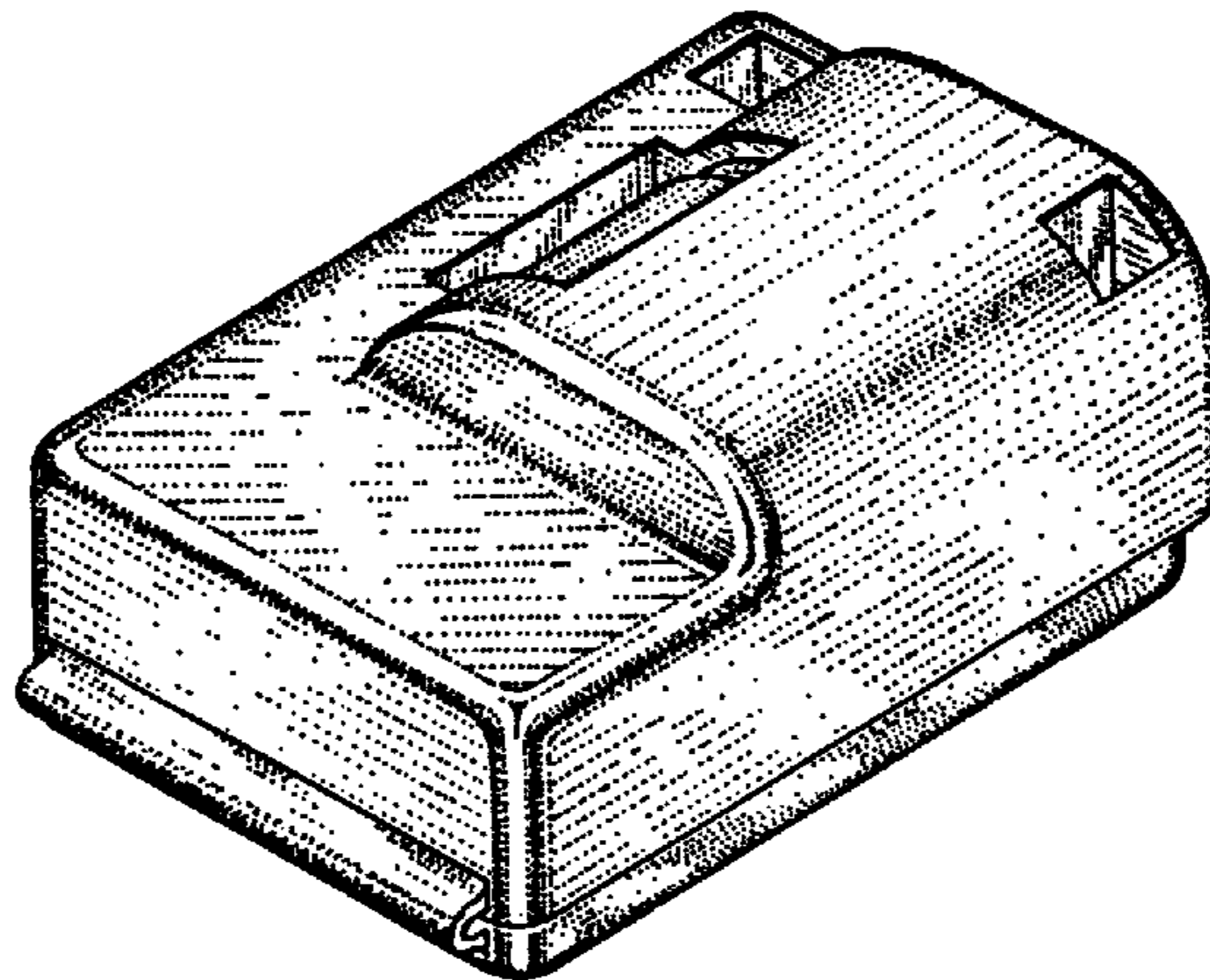


FIG. 3

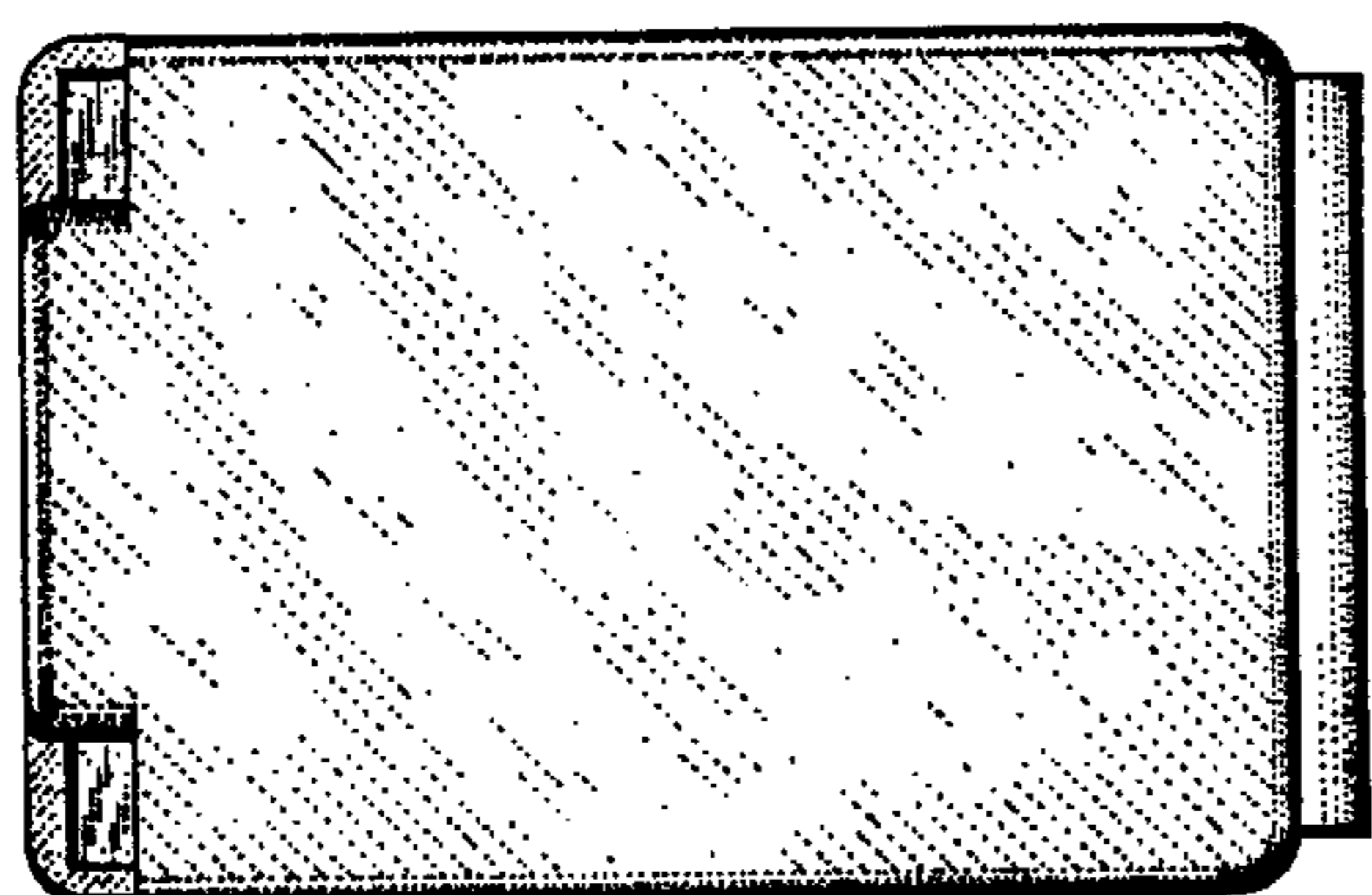


FIG. 4

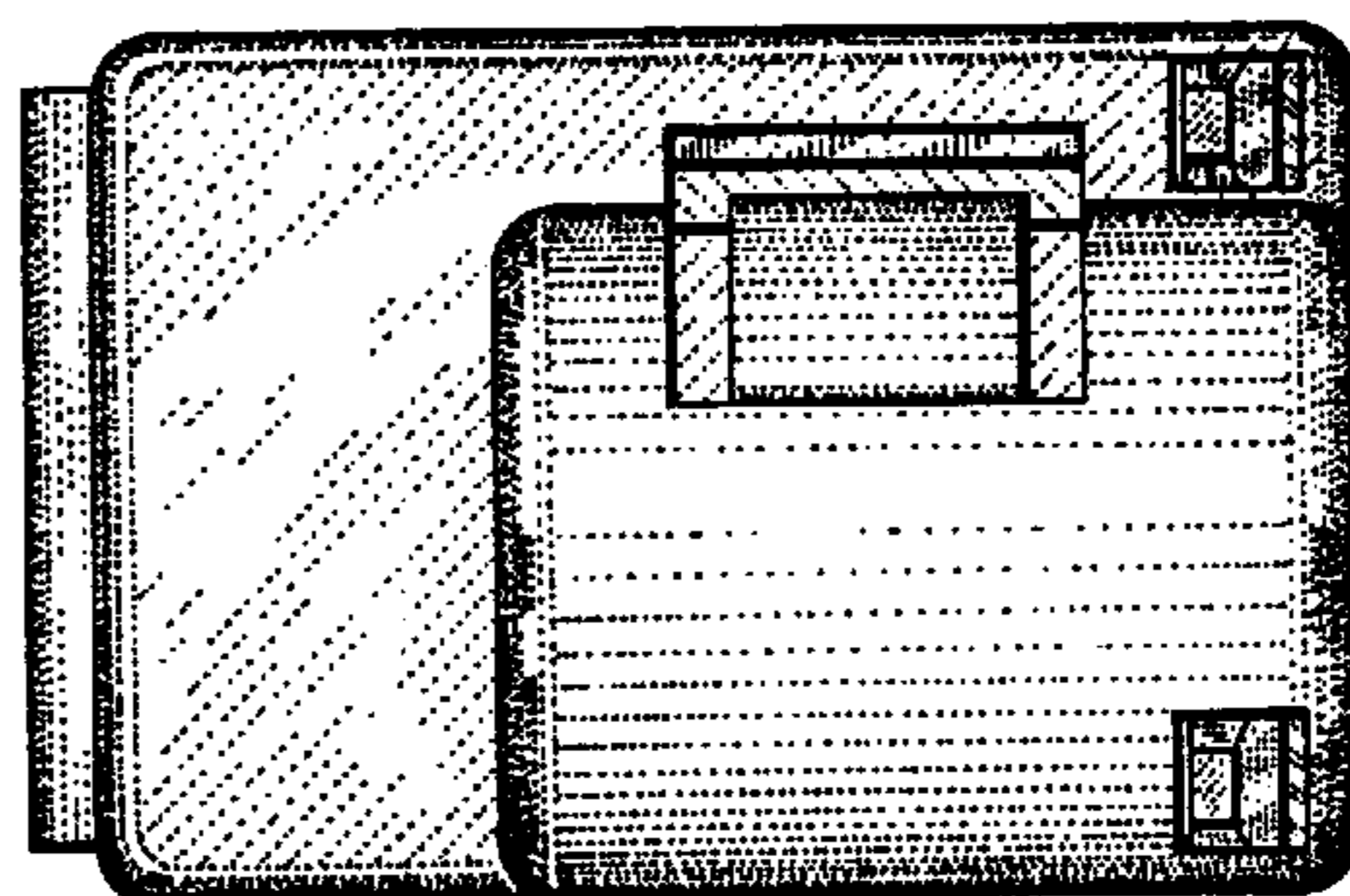


FIG. 5

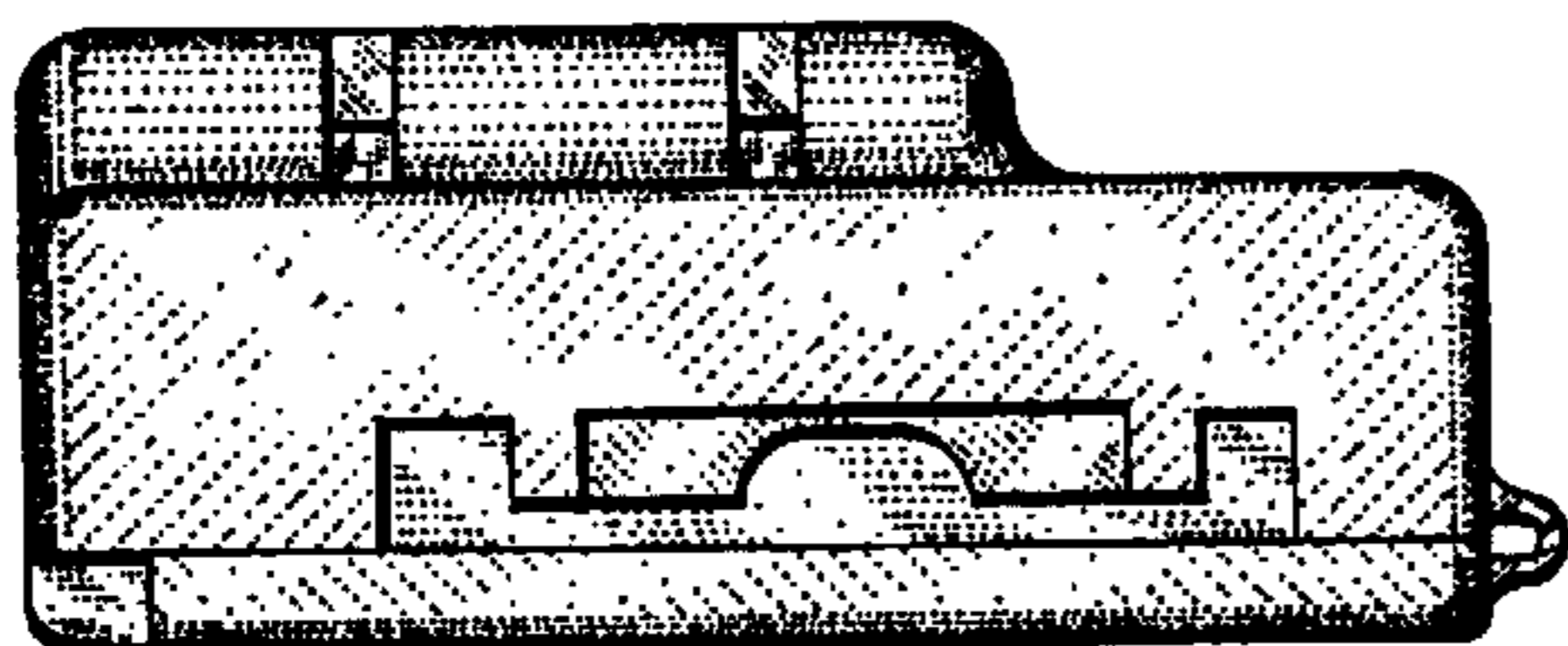


FIG. 6

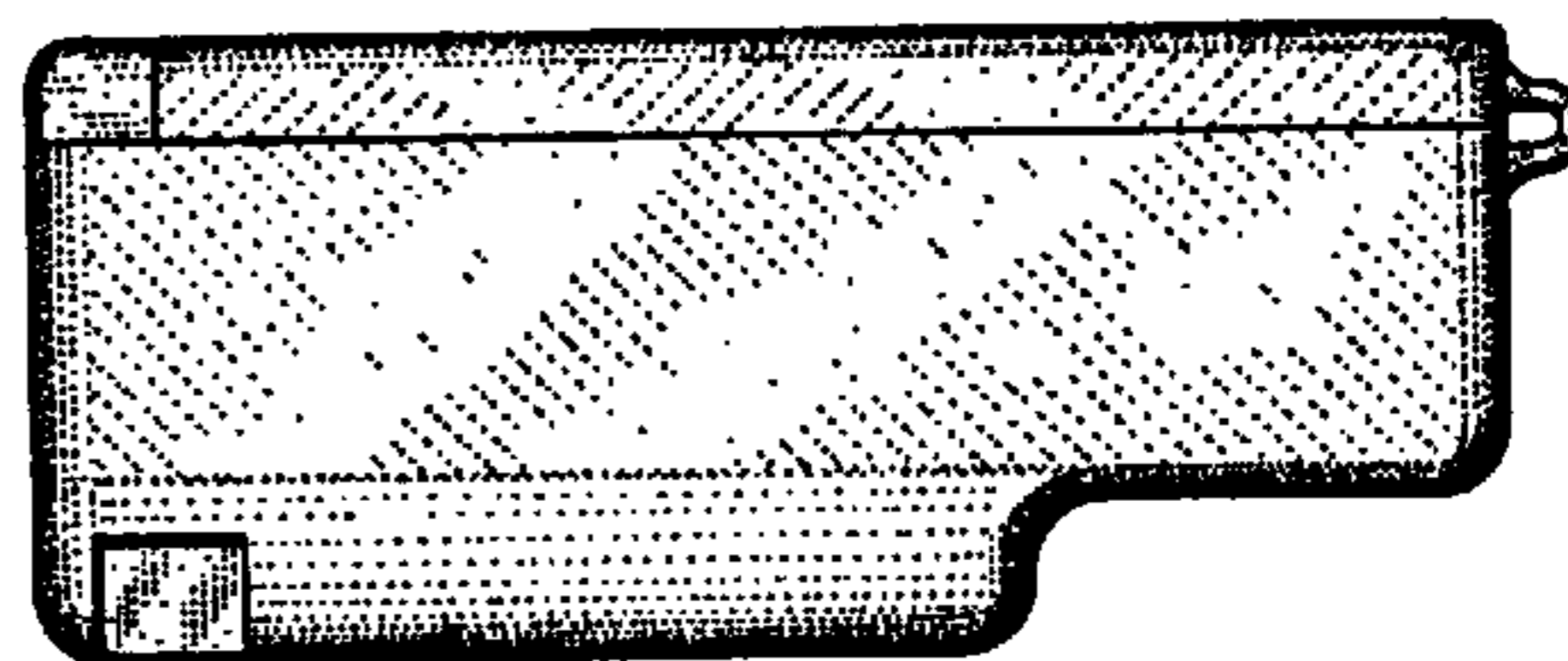


FIG. 7

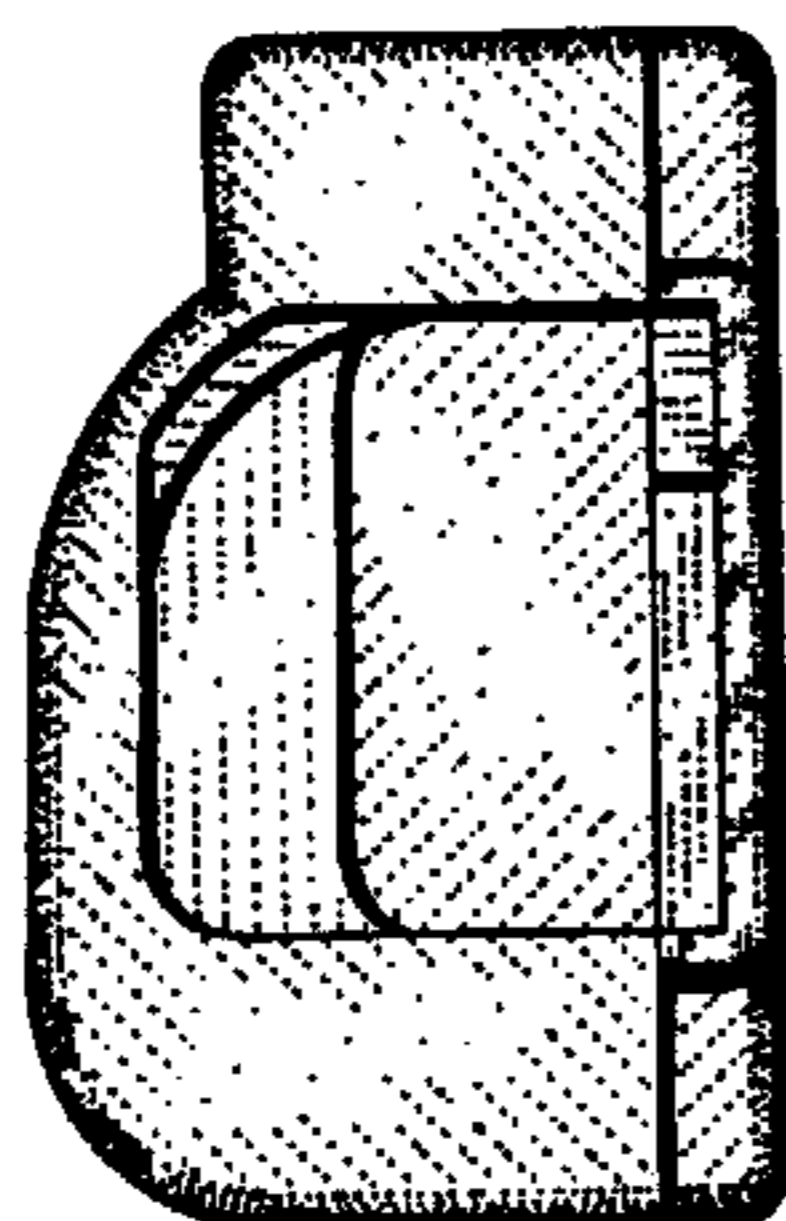


FIG. 8

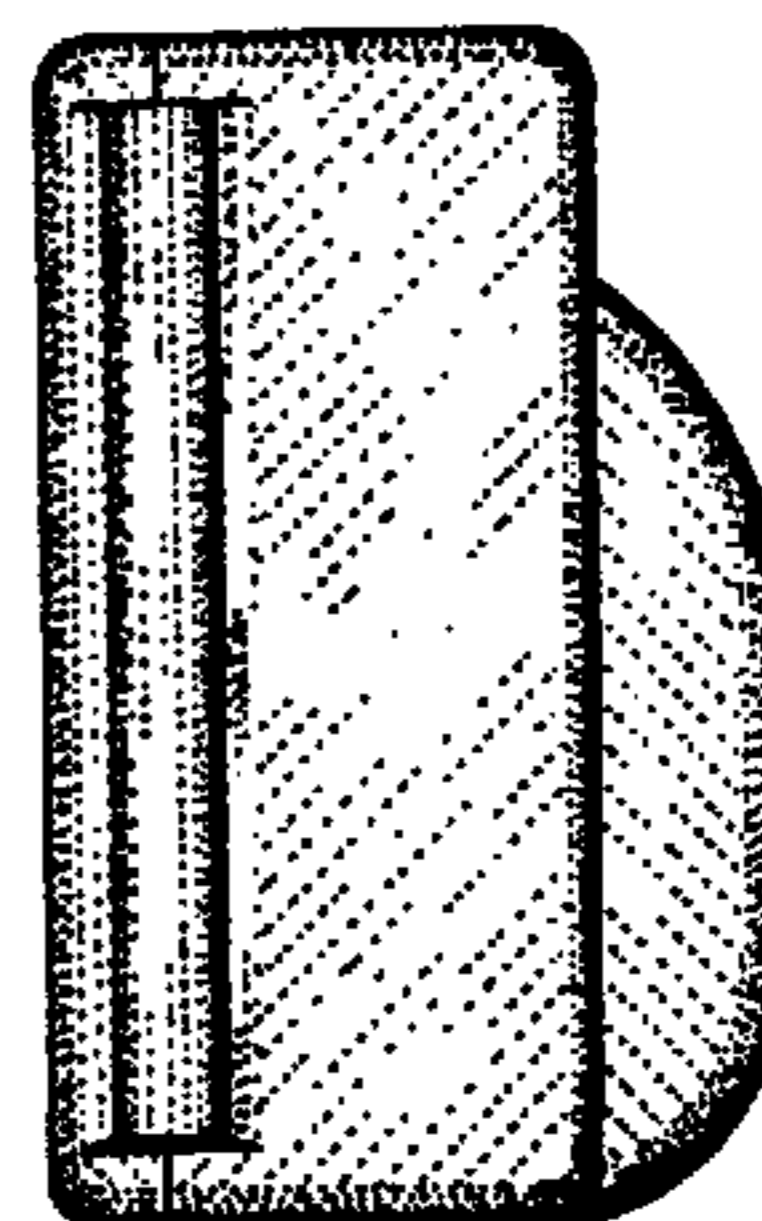


FIG. 9

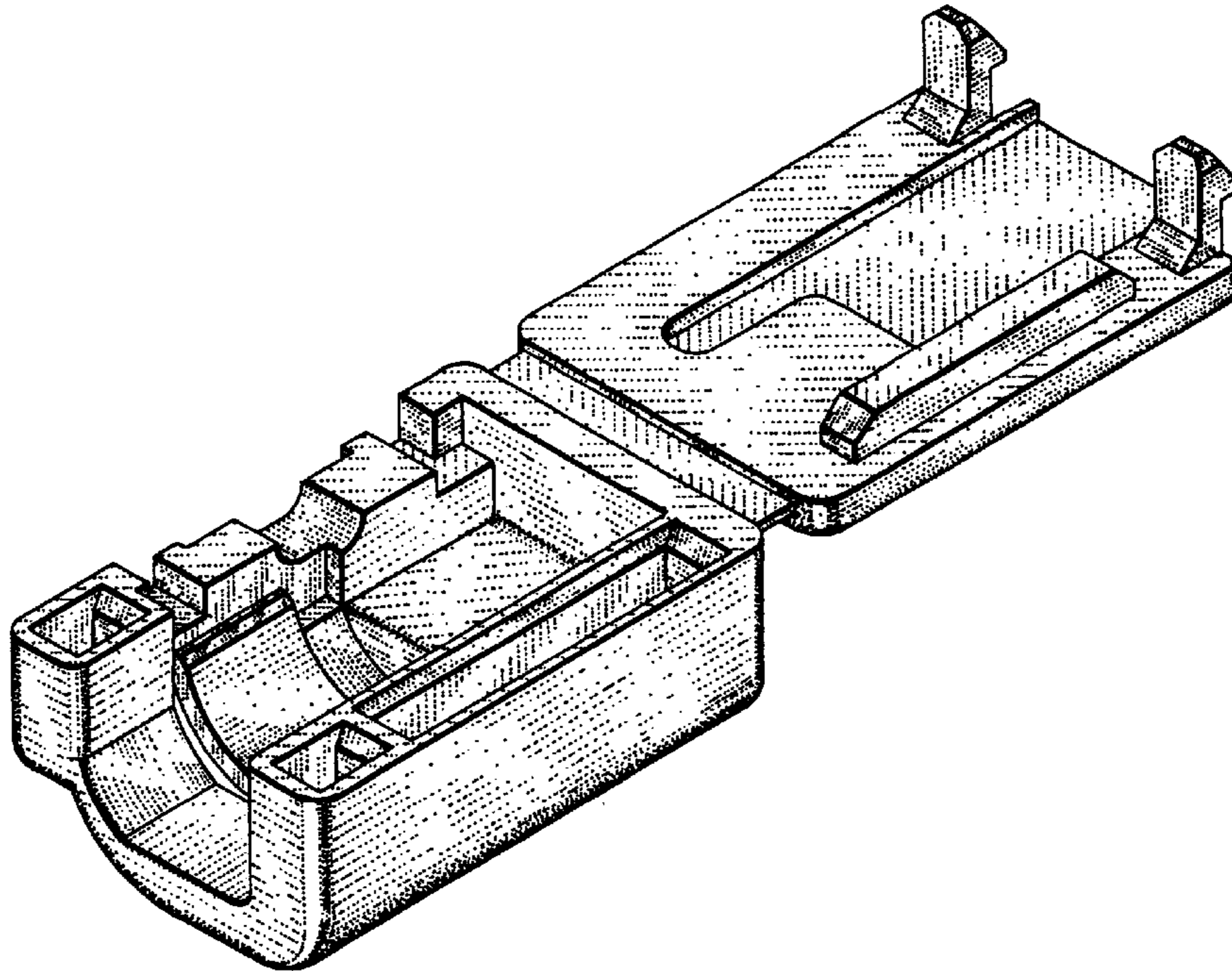


FIG. 10

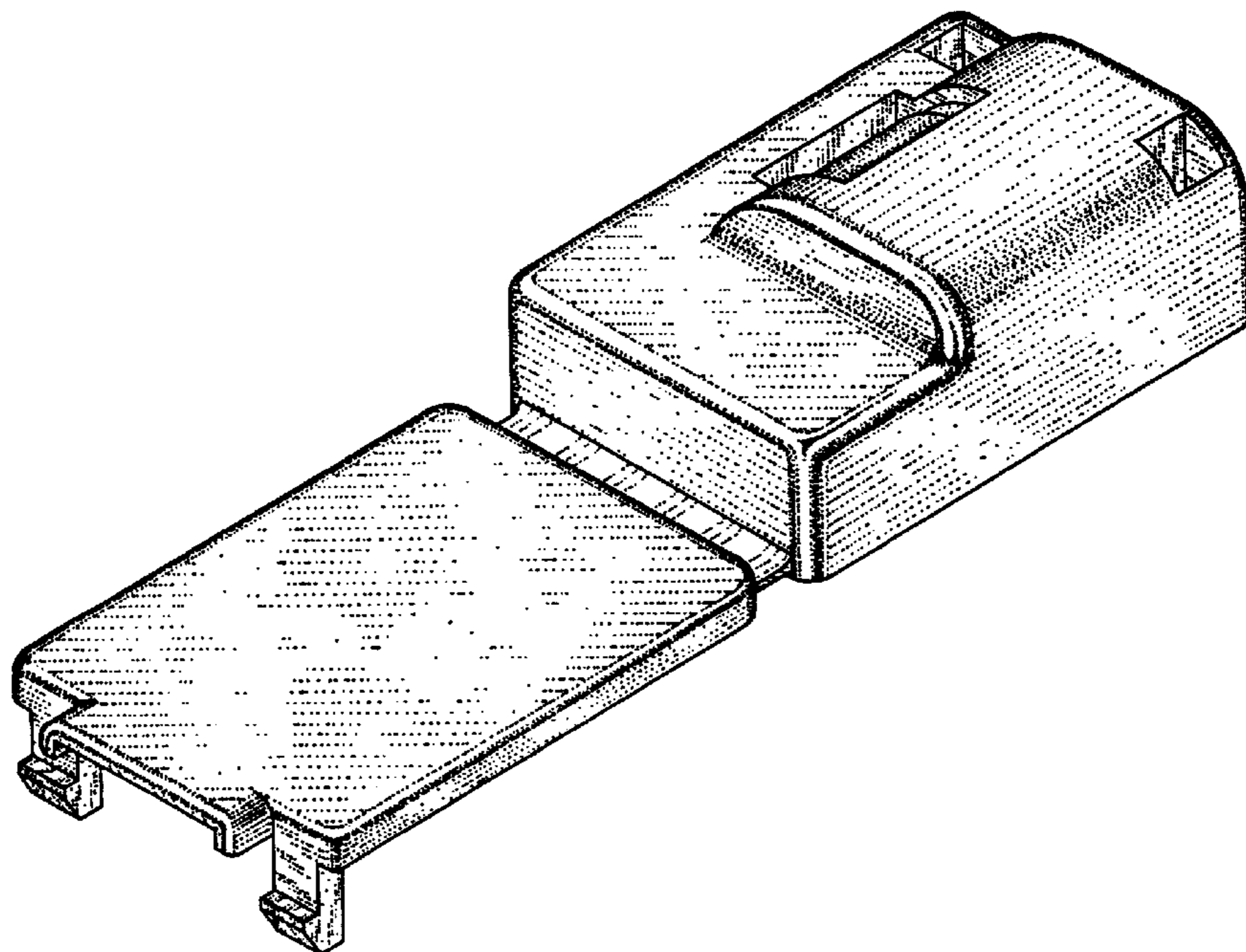


FIG. 11

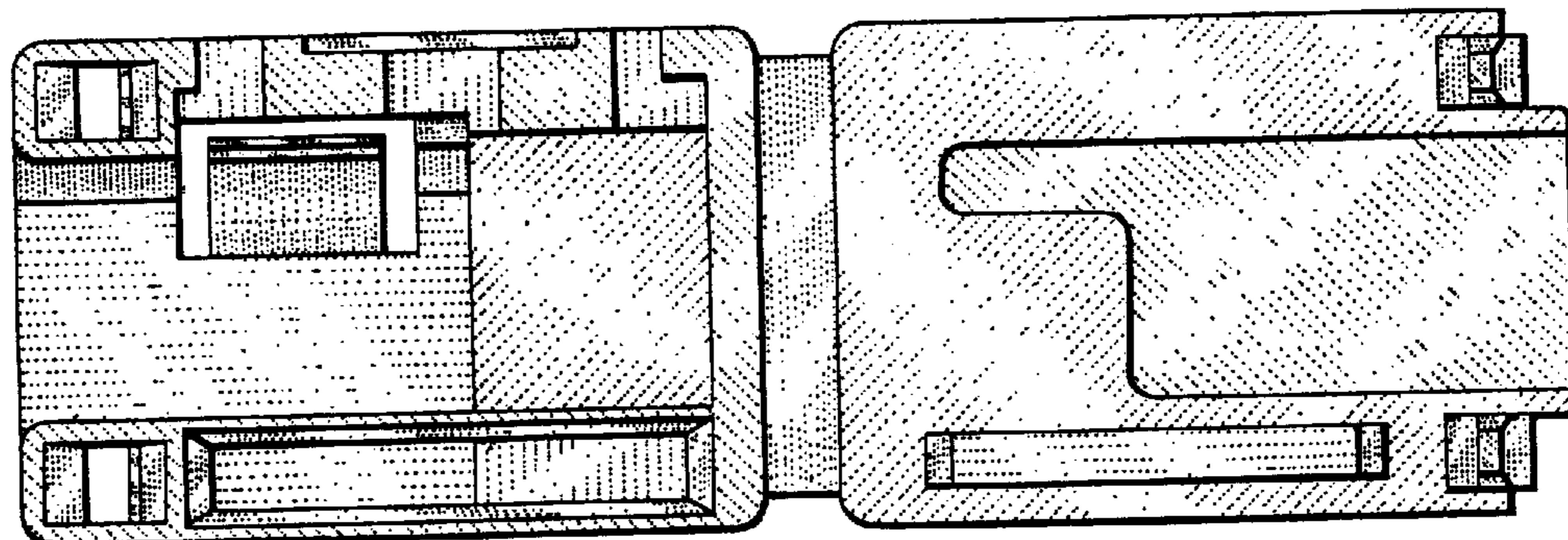


FIG. 12

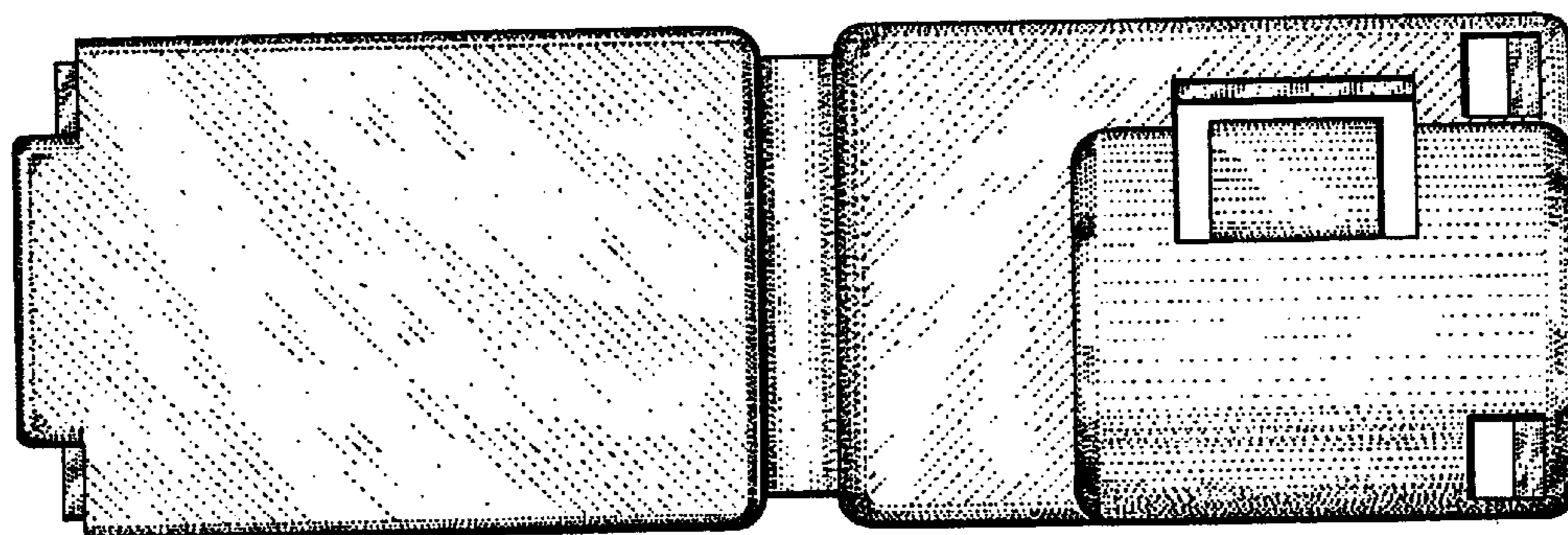


FIG. 13

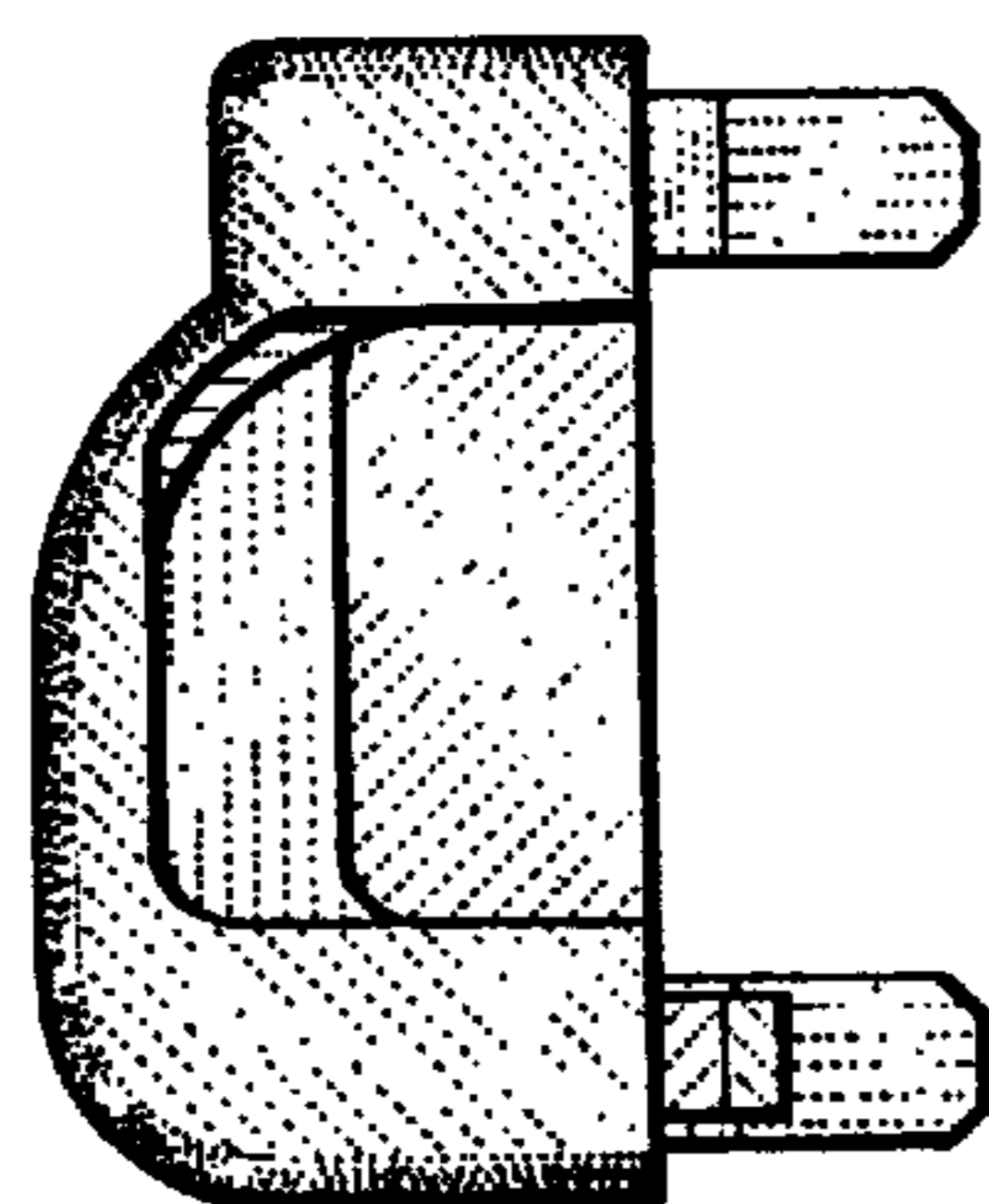


FIG. 14

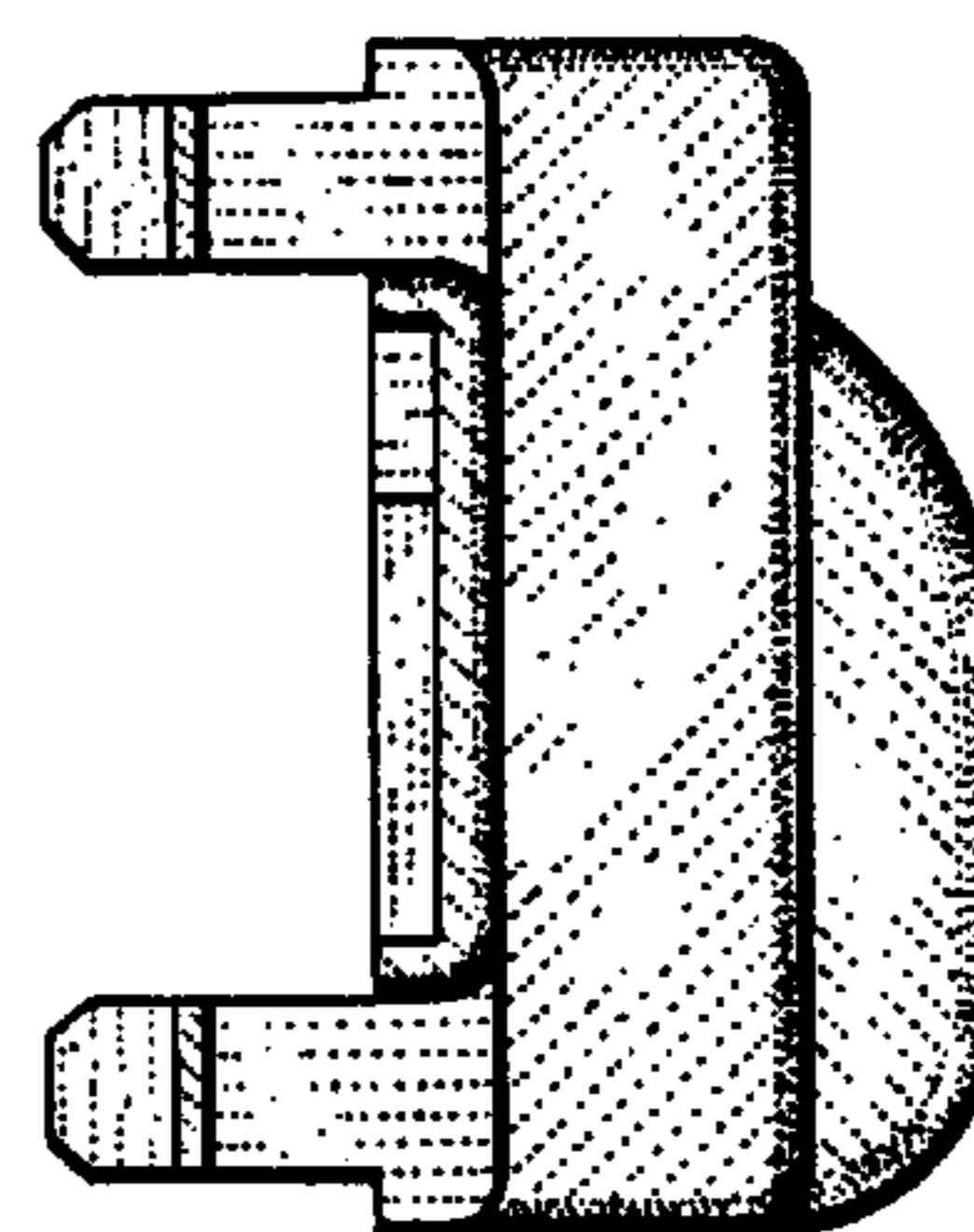


FIG. 15

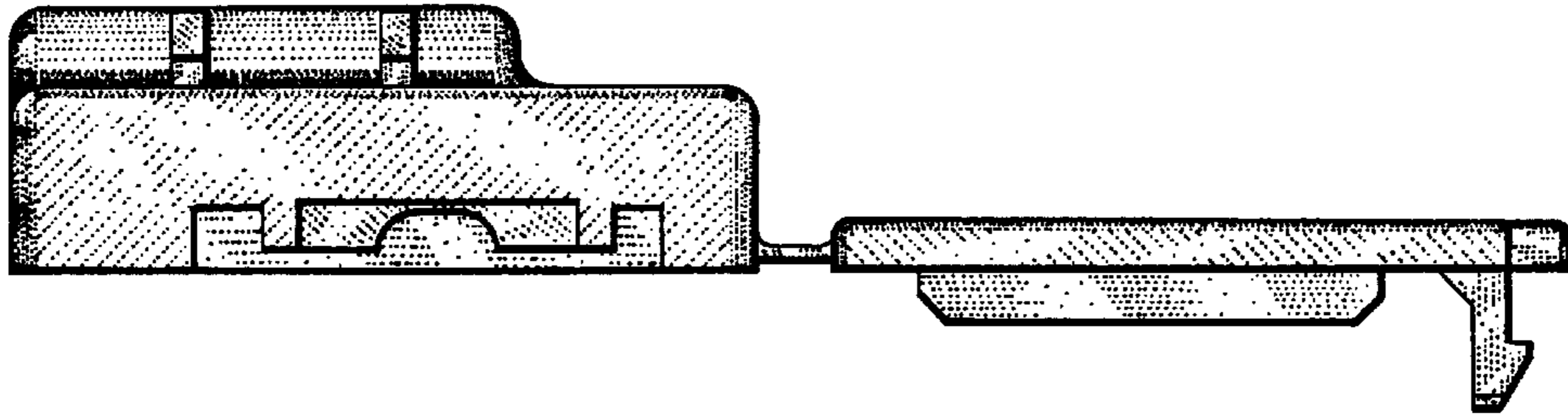


FIG. 16

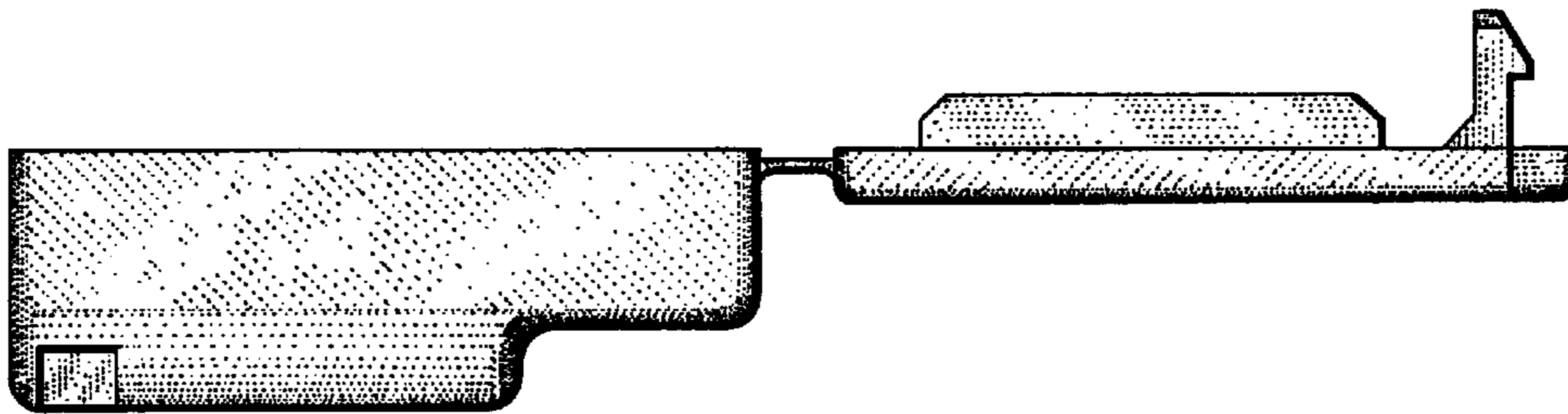


FIG. 17

