



US00D405422S

# United States Patent [19]

Tennefoss et al.

[11] Patent Number: **Des. 405,422**

[45] Date of Patent: **\*\*Feb. 9, 1999**

[54] ELECTRICAL HOUSING

[75] Inventors: **Michael Reid Tennefoss**, Portola Valley; **James Marcus Stewart**, San Jose; **Milton Thomas Tormey**, Los Altos, all of Calif.

[73] Assignee: **Echelon Corporation**, Palo Alto, Calif.

[\*\*] Term: **14 Years**

[21] Appl. No.: **74,663**

[22] Filed: **Aug. 7, 1997**

[51] LOC (6) Cl. .... **13-03**

[52] U.S. Cl. .... **D13/152**

[58] Field of Search ..... D13/152, 147, D13/146; D14/256; 174/52.1, 59; 439/76, 344, 620, 638, 660, 668, 676

[56] **References Cited**

**U.S. PATENT DOCUMENTS**

D. 265,986 8/1982 Wearsch et al. .... D13/152

D. 305,531 1/1990 Suzuki et al. .... D13/152  
D. 339,794 9/1993 Powell et al. .... D13/152  
D. 343,825 2/1994 Enderby ..... D13/152  
D. 372,703 8/1996 Hannon et al. .... D13/152

*Primary Examiner*—Brian N. Vinson  
*Attorney, Agent, or Firm*—Blakely, Sokoloff, Taylor & Zafman LLP

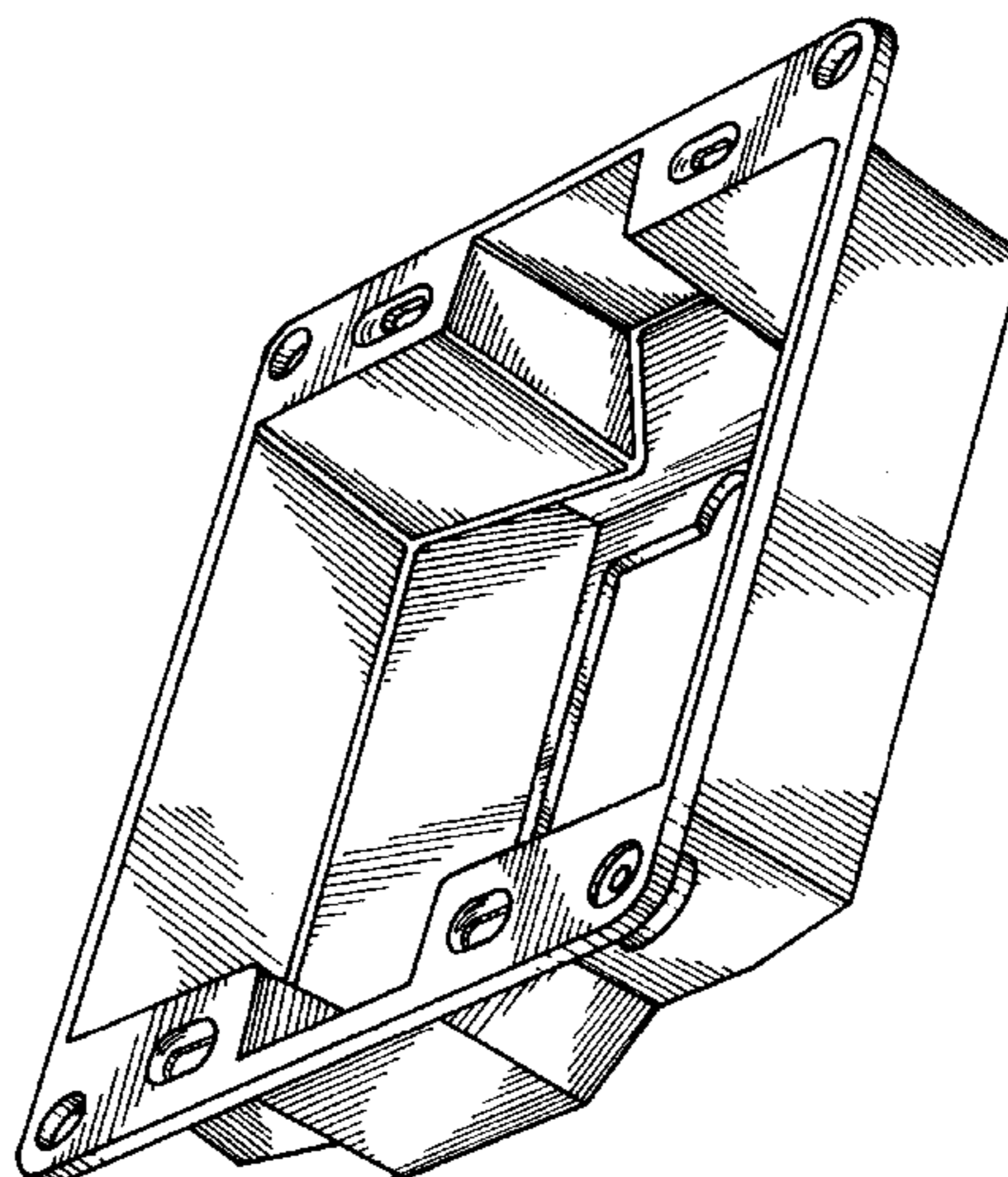
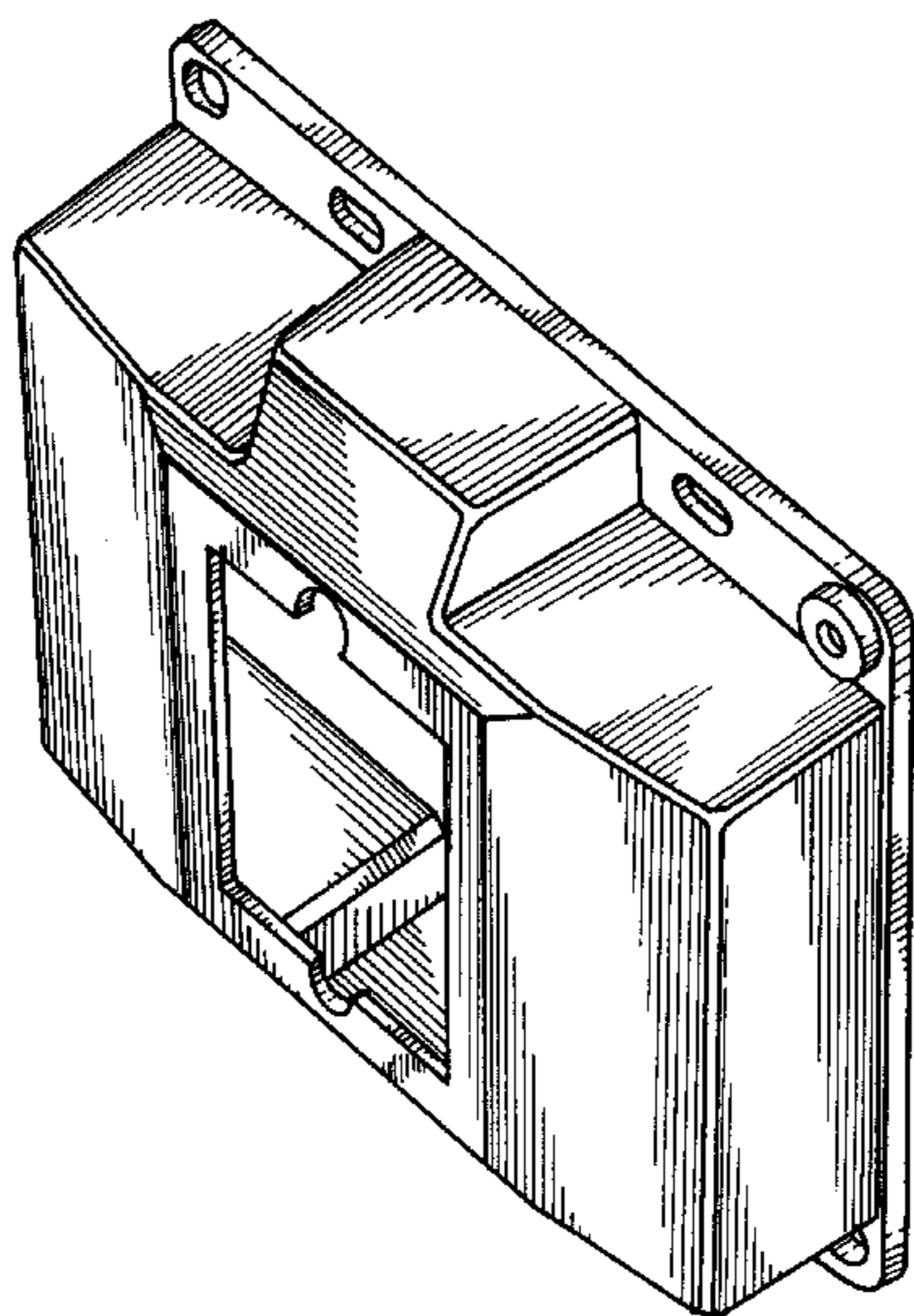
[57] **CLAIM**

The ornamental design for an electrical housing, as shown and described.

**DESCRIPTION**

FIG. 1 is a rear-top perspective view of the design; FIG. 2 is a front-bottom perspective view thereof; FIG. 3 is rear view thereof; FIG. 4 is a left side view thereof; and, FIG. 5 is a top view thereof.

**1 Claim, 2 Drawing Sheets**



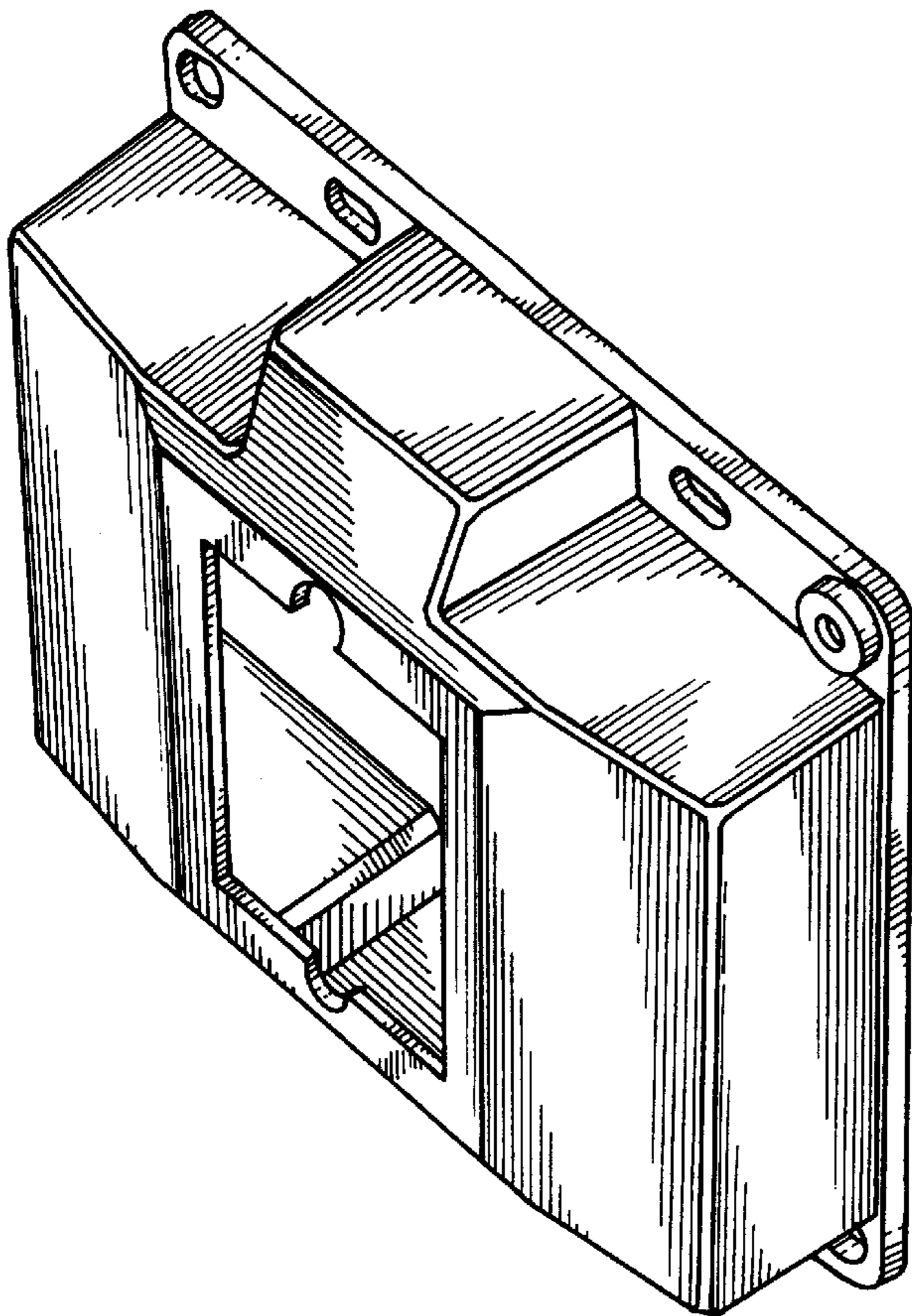
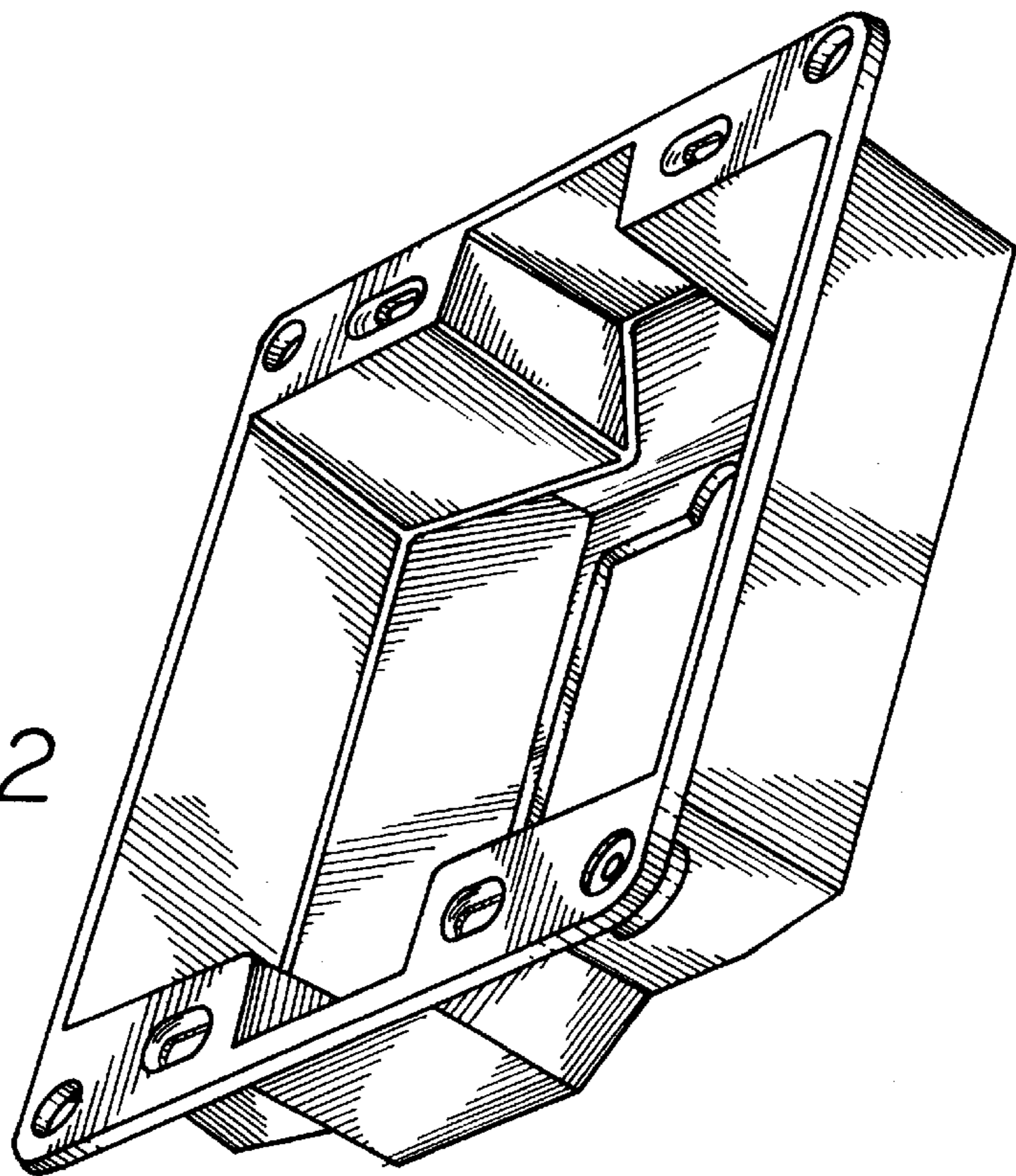


FIG. 1

FIG. 2



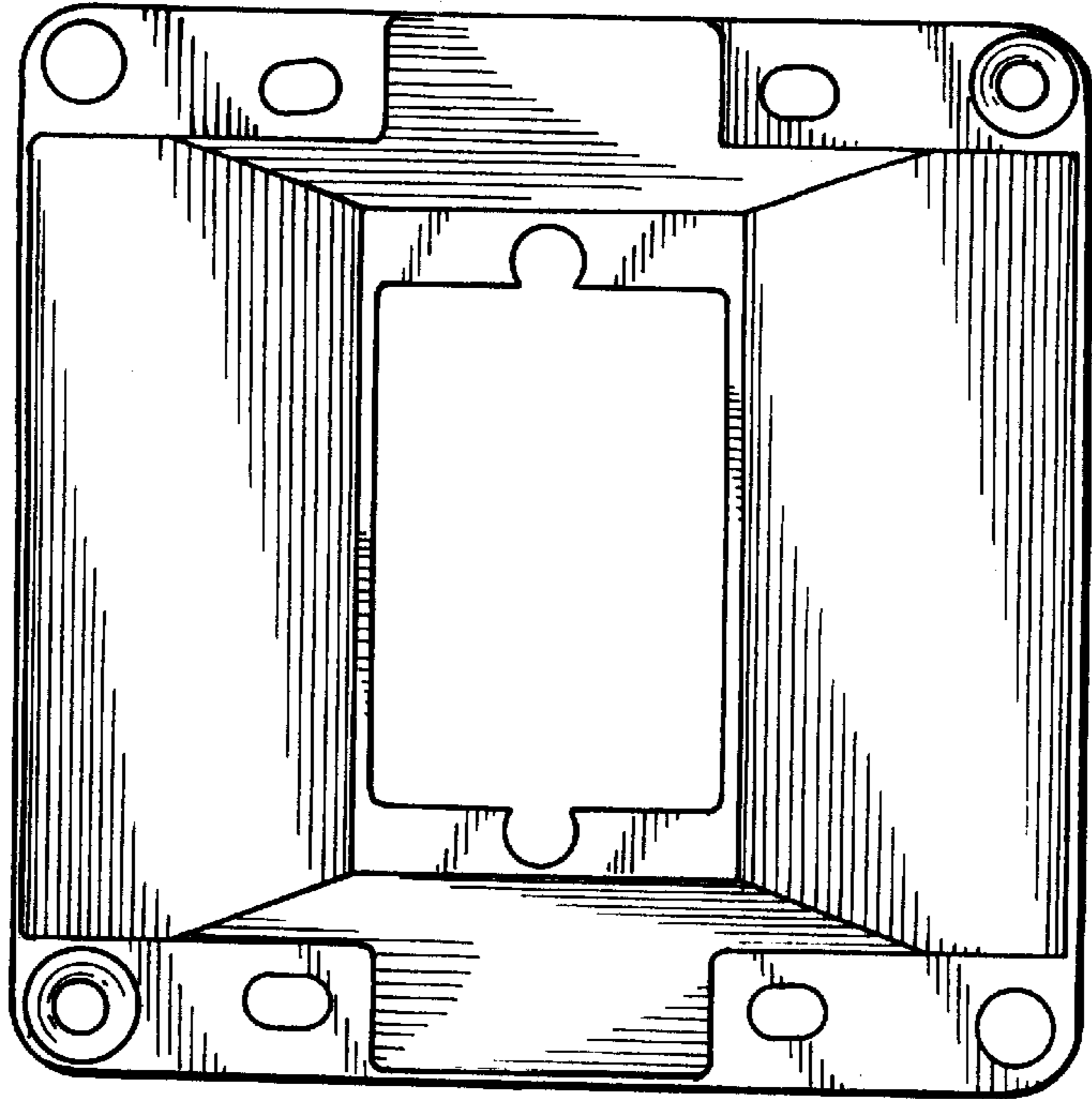


FIG. 3

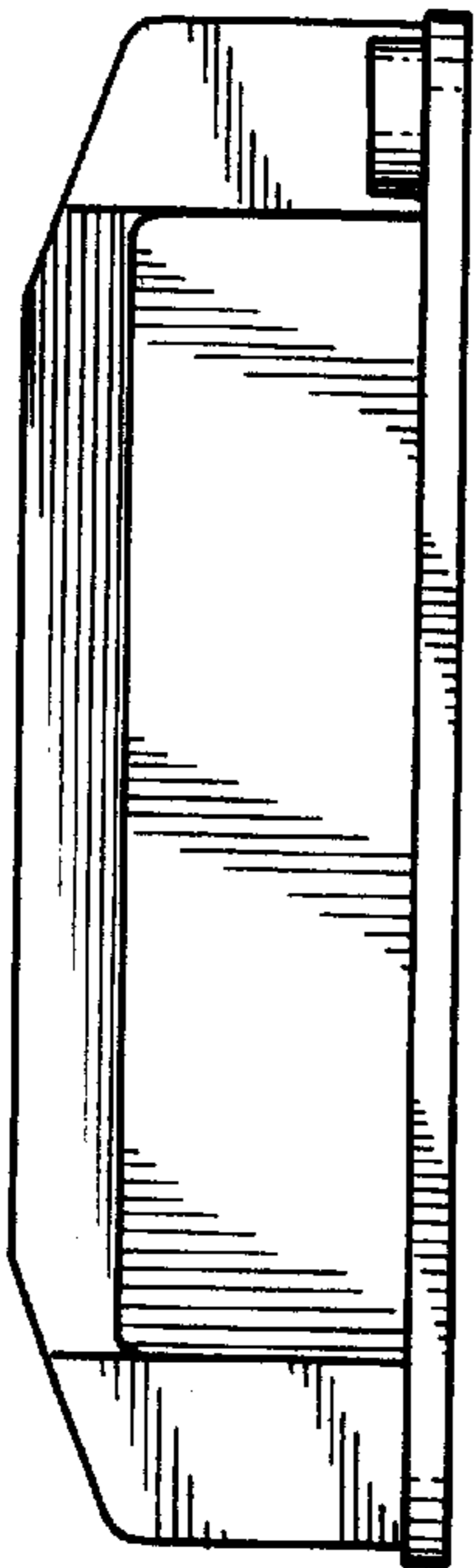


FIG. 4

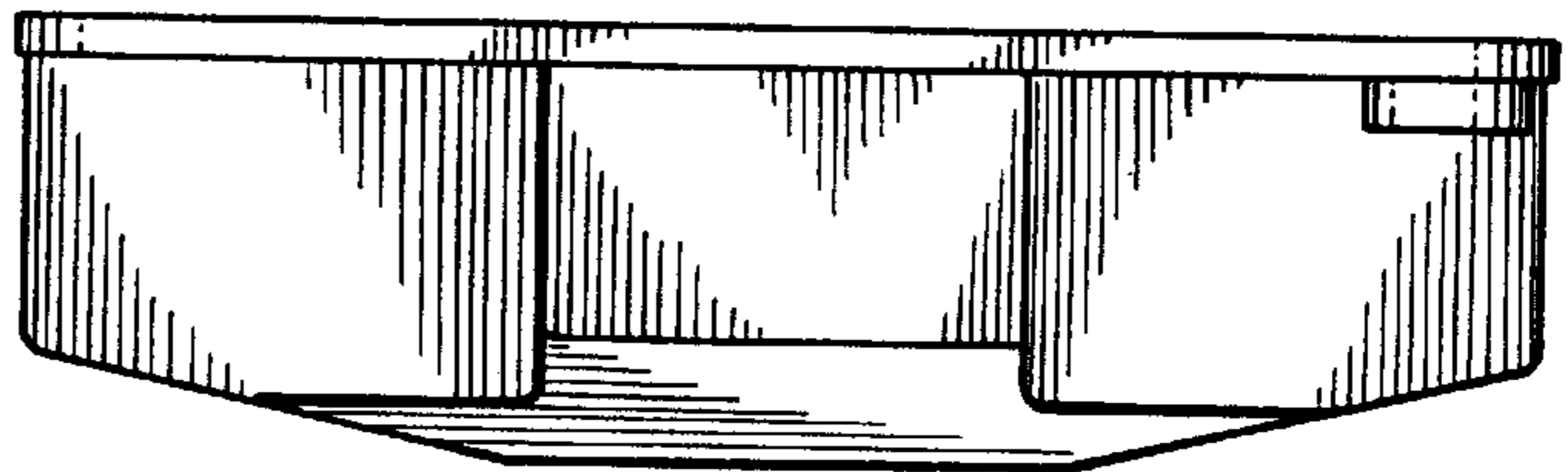


FIG. 5