



US00D405421S

United States Patent [19]

Tennefoss et al.

[11] **Patent Number:** **Des. 405,421**

[45] **Date of Patent:** ****Feb. 9, 1999**

[54] **ELECTRICAL HOUSING**

[75] Inventors: **Michael Reid Tennefoss**, Portola Valley; **James Marcus Stewart**, San Jose; **Milton Thomas Tormey**, Los Altos, all of Calif.

[73] Assignee: **Echelon Corporation**, Palo Alto, Calif.

[**] Term: **14 Years**

[21] Appl. No.: **74,645**

[22] Filed: **Aug. 7, 1997**

[51] **LOC (6) Cl.** **13-03**

[52] **U.S. Cl.** **D13/152**

[58] **Field of Search** D13/152, 147, D13/146; D14/256; 174/52.1, 59; 439/76, 344, 620, 638, 660, 668, 676

[56] **References Cited**

U.S. PATENT DOCUMENTS

D. 265,986 8/1982 Wearsch et al. D13/152

D. 305,531 1/1990 Suzuki et al. D13/152
D. 339,794 9/1993 Powell et al. D13/152
D. 343,825 2/1994 Enderby D13/152
D. 372,703 8/1996 Hannon et al. D13/152

Primary Examiner—Brian N. Vinson
Attorney, Agent, or Firm—Blakely, Sokoloff, Taylor & Zafman LLP

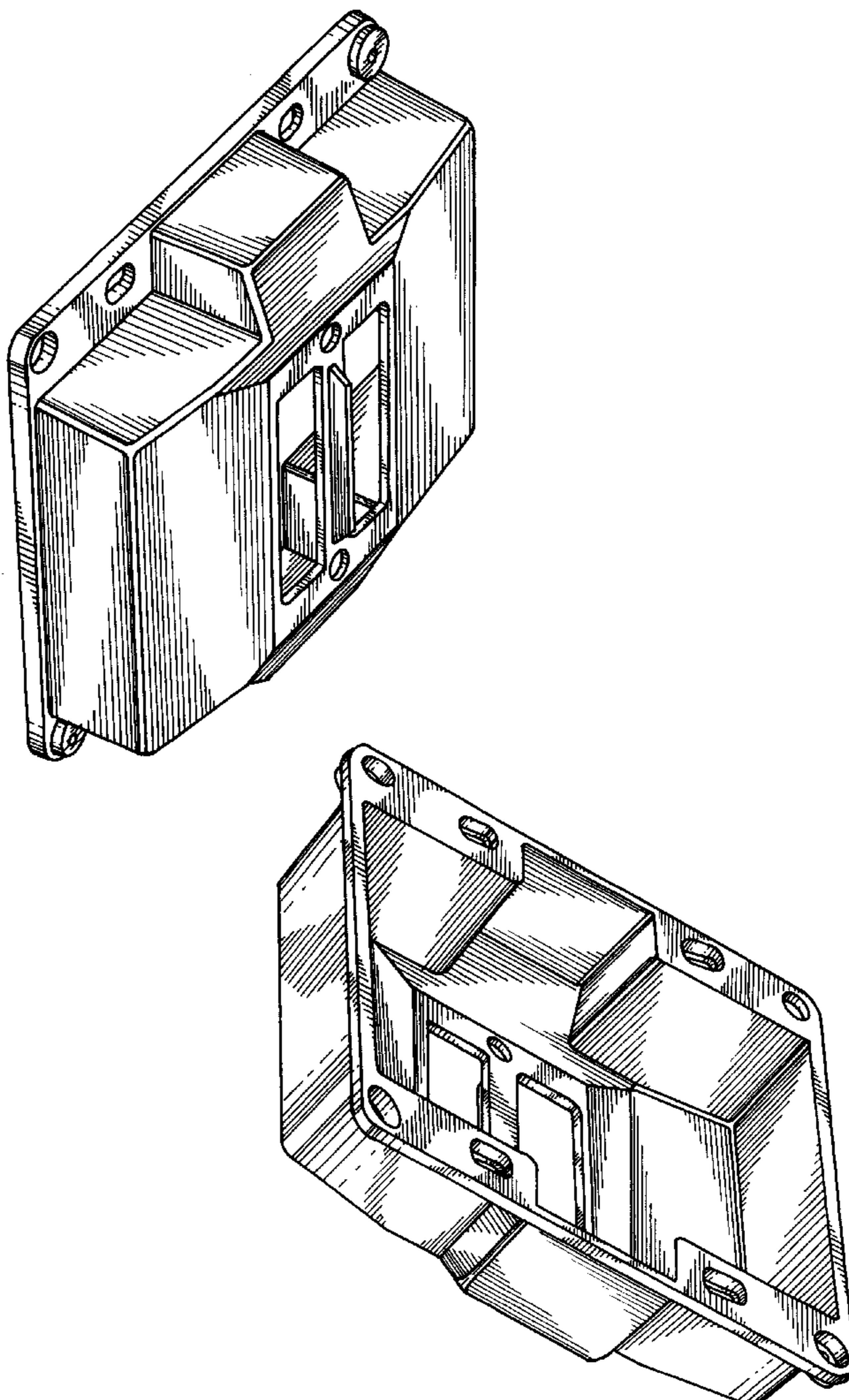
[57] **CLAIM**

The ornamental design for an electrical housing, as shown and described.

DESCRIPTION

FIG. 1 is a top-rear perspective view of the design; FIG. 2 is a front-bottom perspective view thereof; FIG. 3 is a rear view thereof; FIG. 4 is a right view thereof; and, FIG. 5 is a top view thereof.

1 Claim, 2 Drawing Sheets



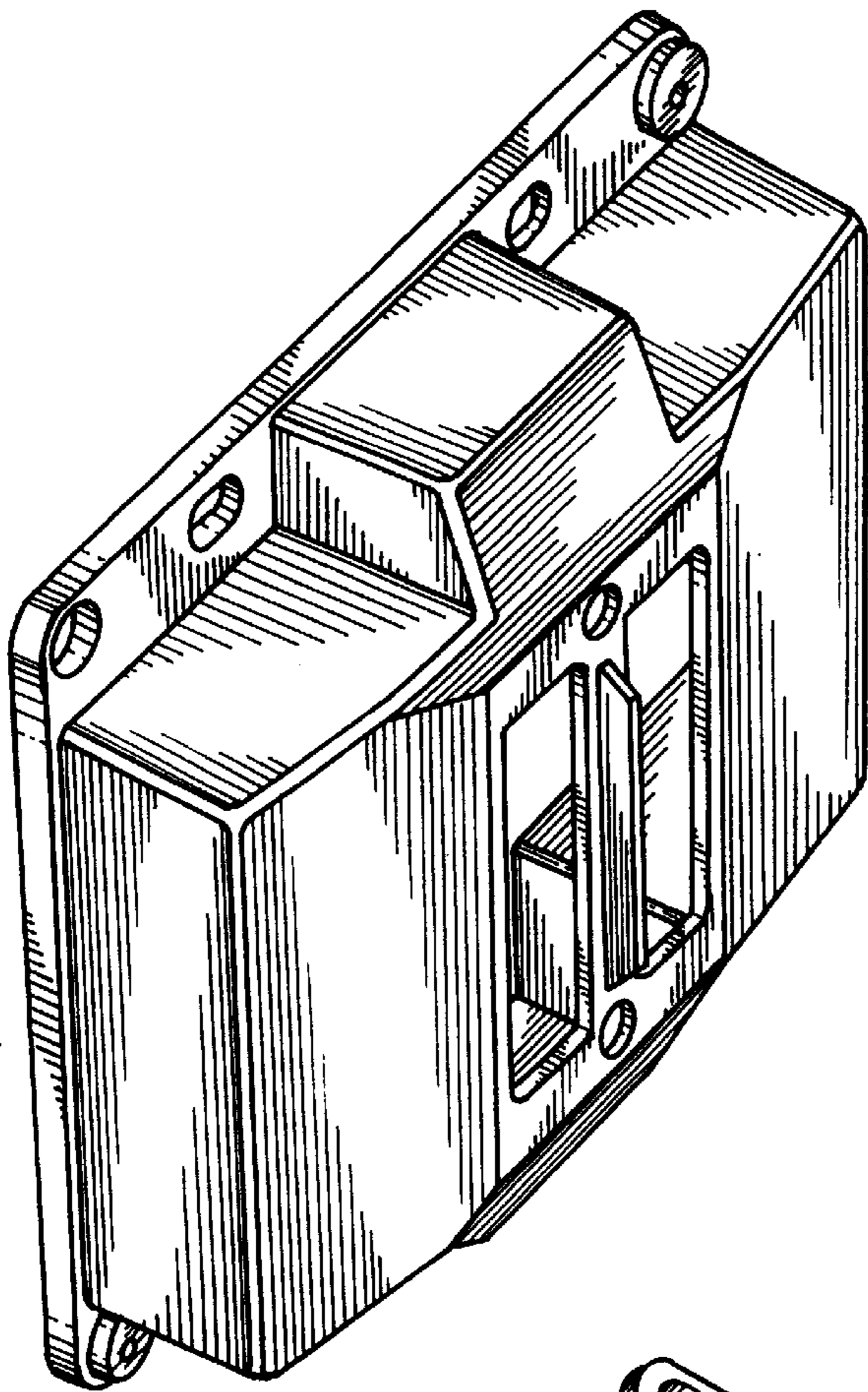


FIG. 1

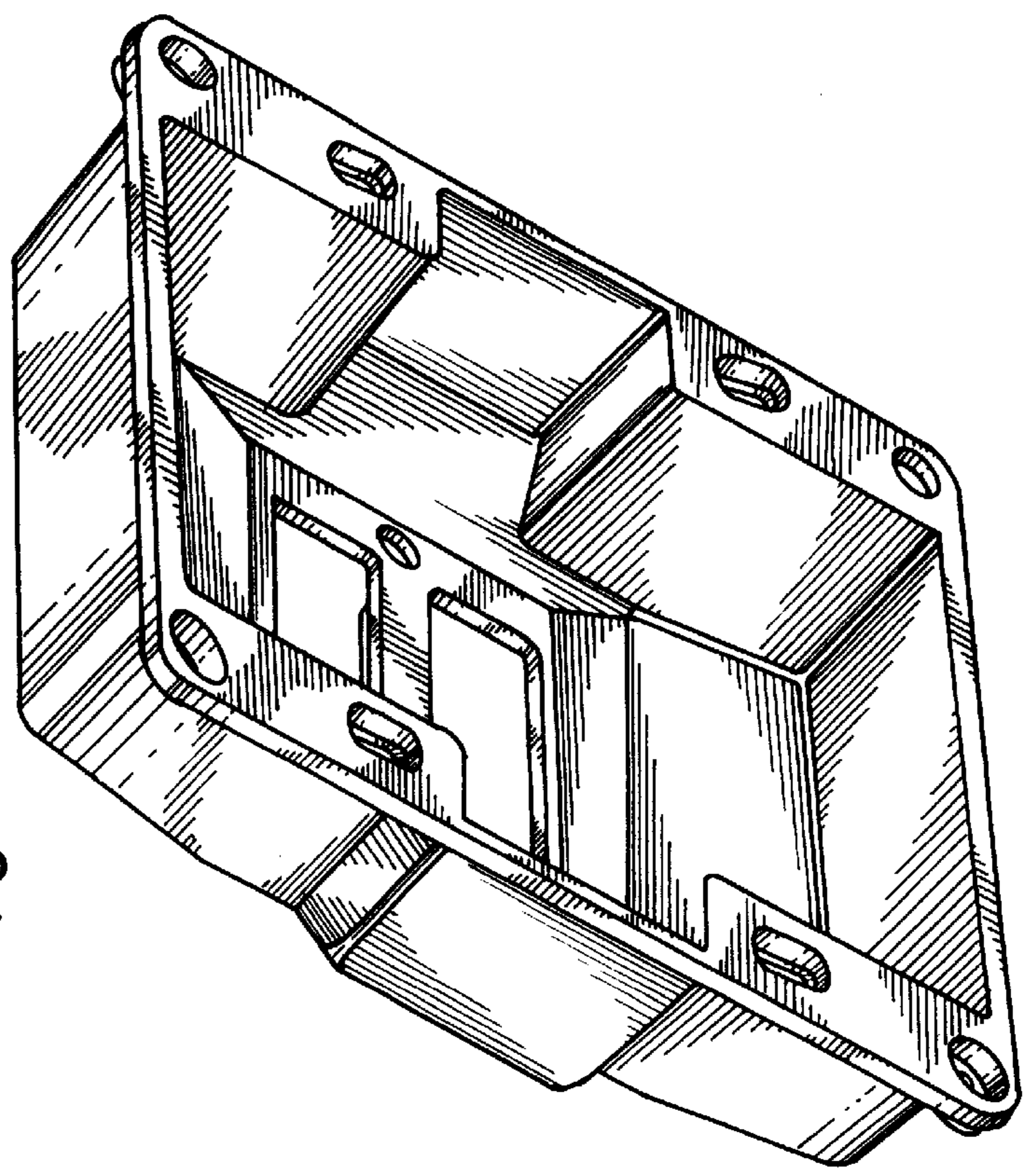


FIG. 2

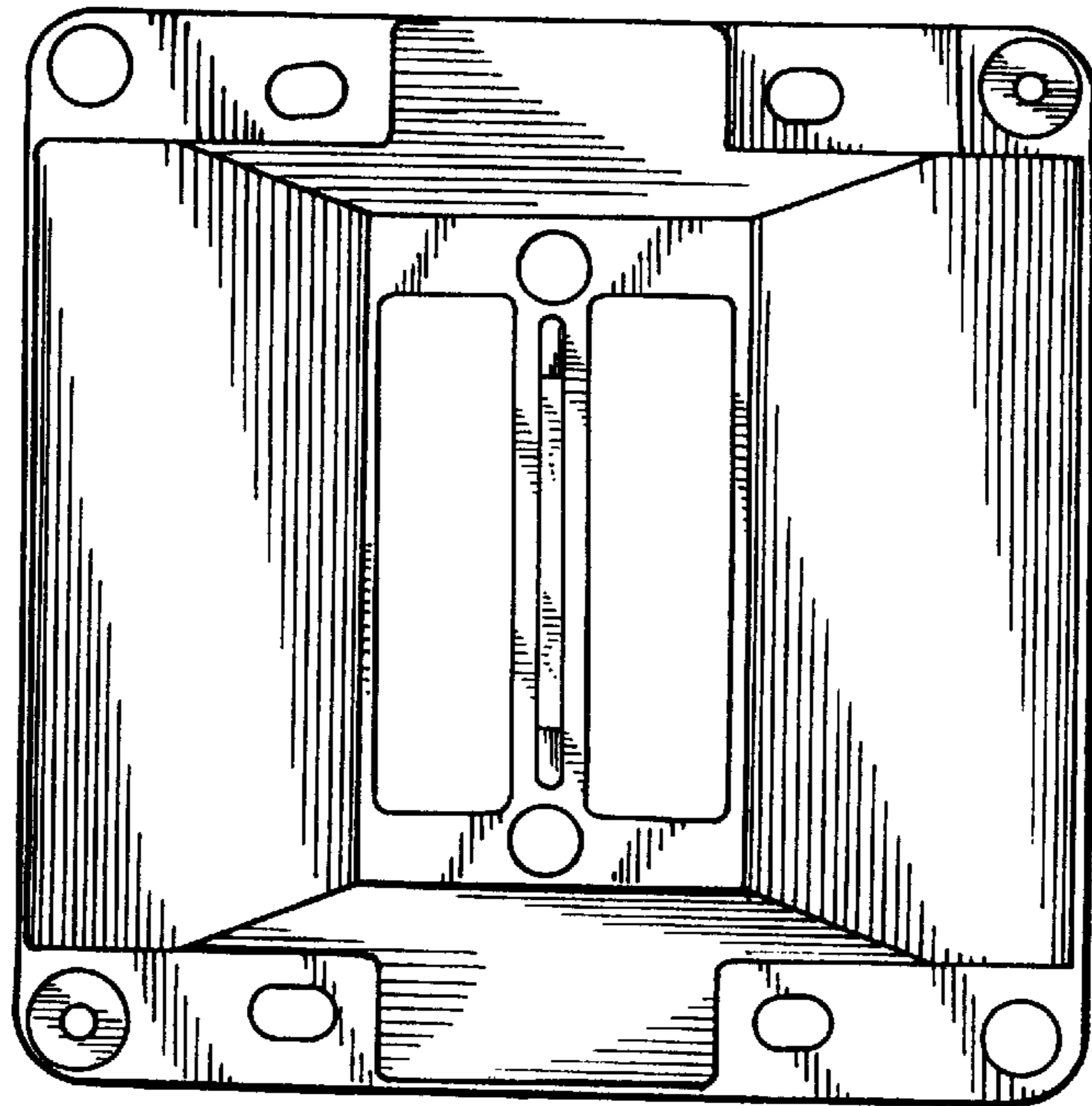


FIG. 3

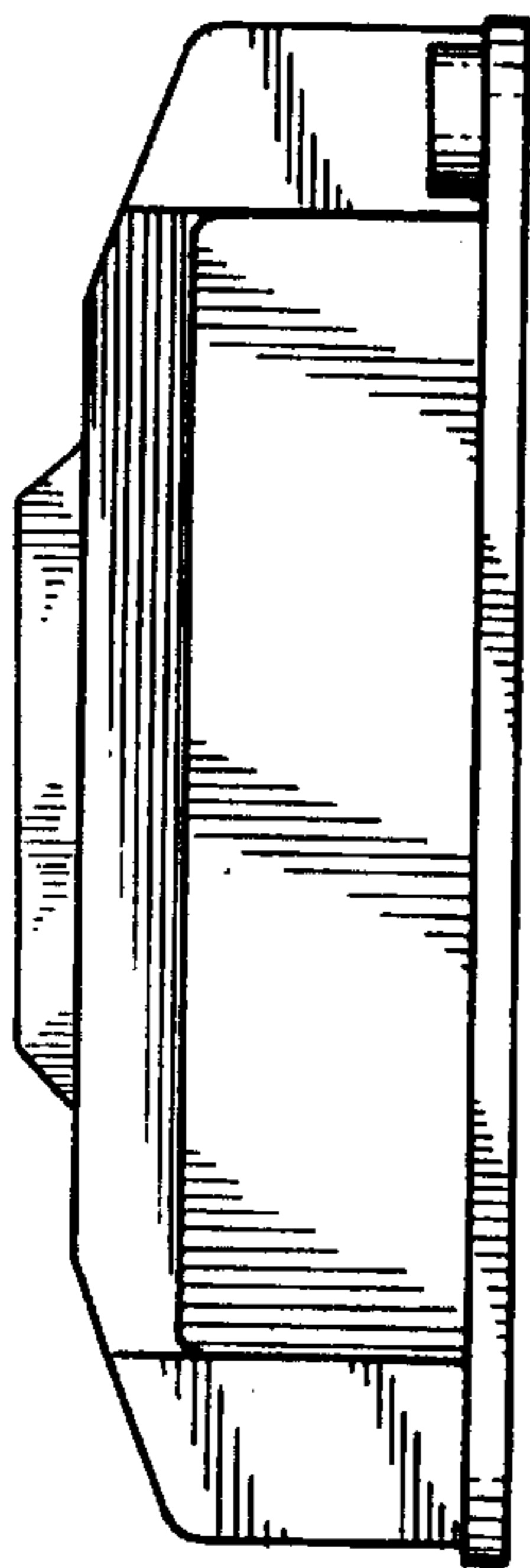


FIG. 4

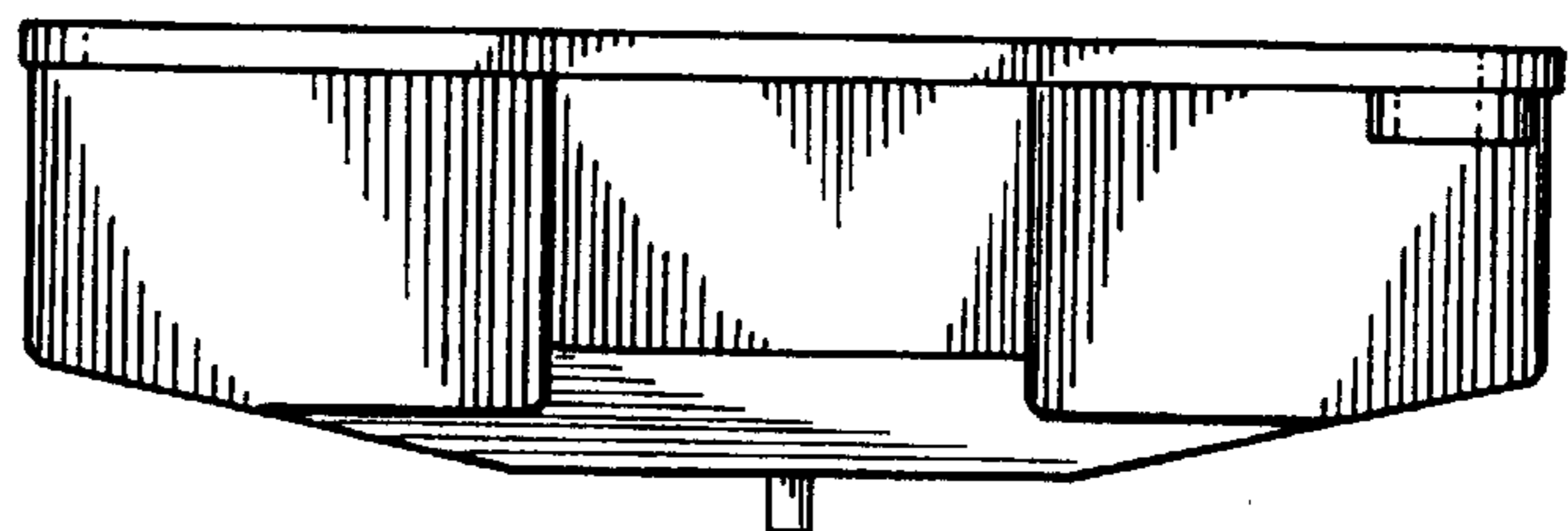


FIG. 5