



US00D405420S

United States Patent [19]
Awbrey

[11] **Patent Number: Des. 405,420**
[45] **Date of Patent: **Feb. 9, 1999**

[54] **DISTRIBUTION BLOCK**

[75] Inventor: **Jerry Awbrey**, Winder, Ga.

[73] Assignee: **Esoteric Audio U.S.A., Inc.**, Winder, Ga.

[**] Term: **14 Years**

[21] Appl. No.: **83,299**

[22] Filed: **Jan. 29, 1998**

[51] **LOC (6) Cl.** **13-03**

[52] **U.S. Cl.** **D13/151**

[58] **Field of Search** D13/151, 146,
D13/120; 439/798, 810, 814

[56] **References Cited**

U.S. PATENT DOCUMENTS

| | | | | |
|------------|---------|-------------------|-------|-----------|
| D. 316,701 | 5/1991 | Hill | | D13/120 |
| D. 342,937 | 1/1994 | Angel, Jr. et al. | | D13/146 |
| D. 361,750 | 8/1995 | Ansley | | D13/151 |
| 3,546,364 | 12/1970 | O'Neel | | 439/810 X |
| 5,266,057 | 11/1993 | Angel, Jr. et al. | | 439/798 X |

Primary Examiner—Joel Sincavage

Attorney, Agent, or Firm—Thomas, Kayden, Horstemeyer & Risley

[57] **CLAIM**

The ornamental design for a distribution block, as shown and described.

DESCRIPTION

FIG. 1 is a perspective view of a distribution block in accordance with a preferred embodiment of the present invention;

FIG. 2 is a left-front side view of the distribution block shown in FIG. 1;

FIG. 3 is a right-rear side view of the distribution block shown in FIG. 1;

FIG. 4 is a right-front side view of the distribution block shown in FIG. 1;

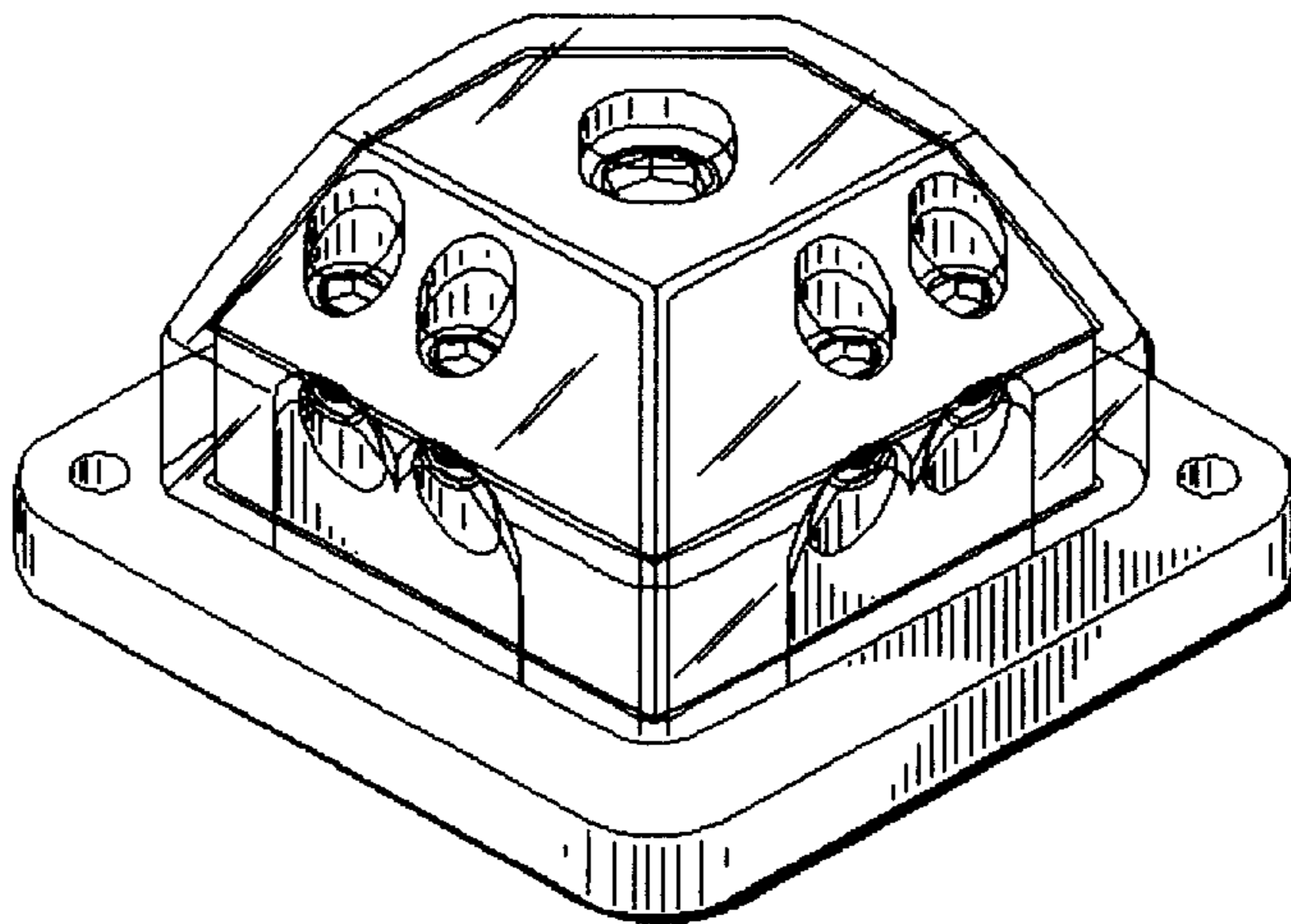
FIG. 5 is a left-rear side view of the distribution block shown in FIG. 1;

FIG. 6 is a top view of the distribution block shown in FIG. 1; and,

FIG. 7 is a bottom view of the distribution block shown in FIG. 1.

The distribution block illustrated in the drawings includes a clear plastic cover that substantially encases the top of the device. The cover is illustrated by the shadowed, or doubled, lines in the drawings.

1 Claim, 2 Drawing Sheets



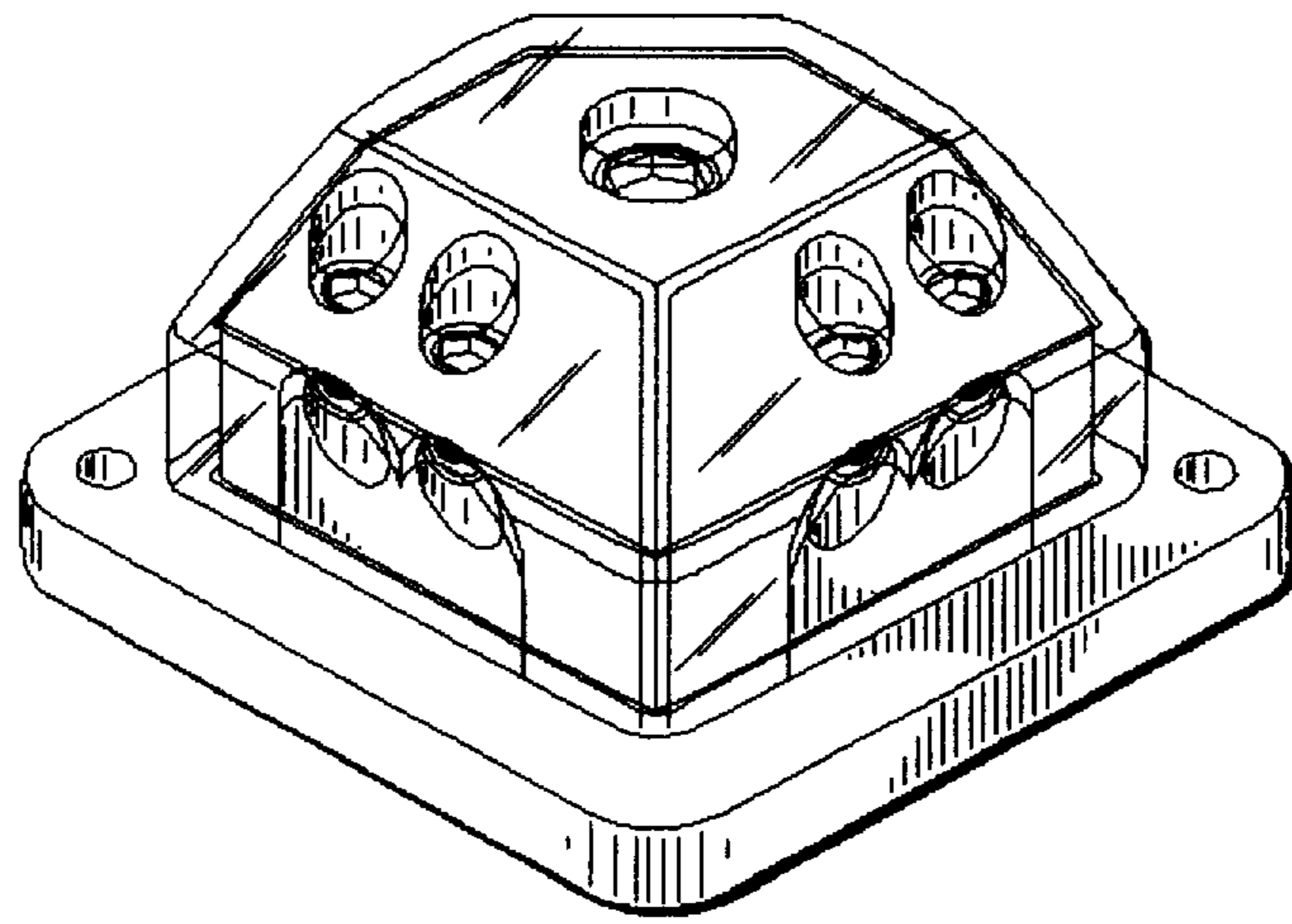


FIG. 1

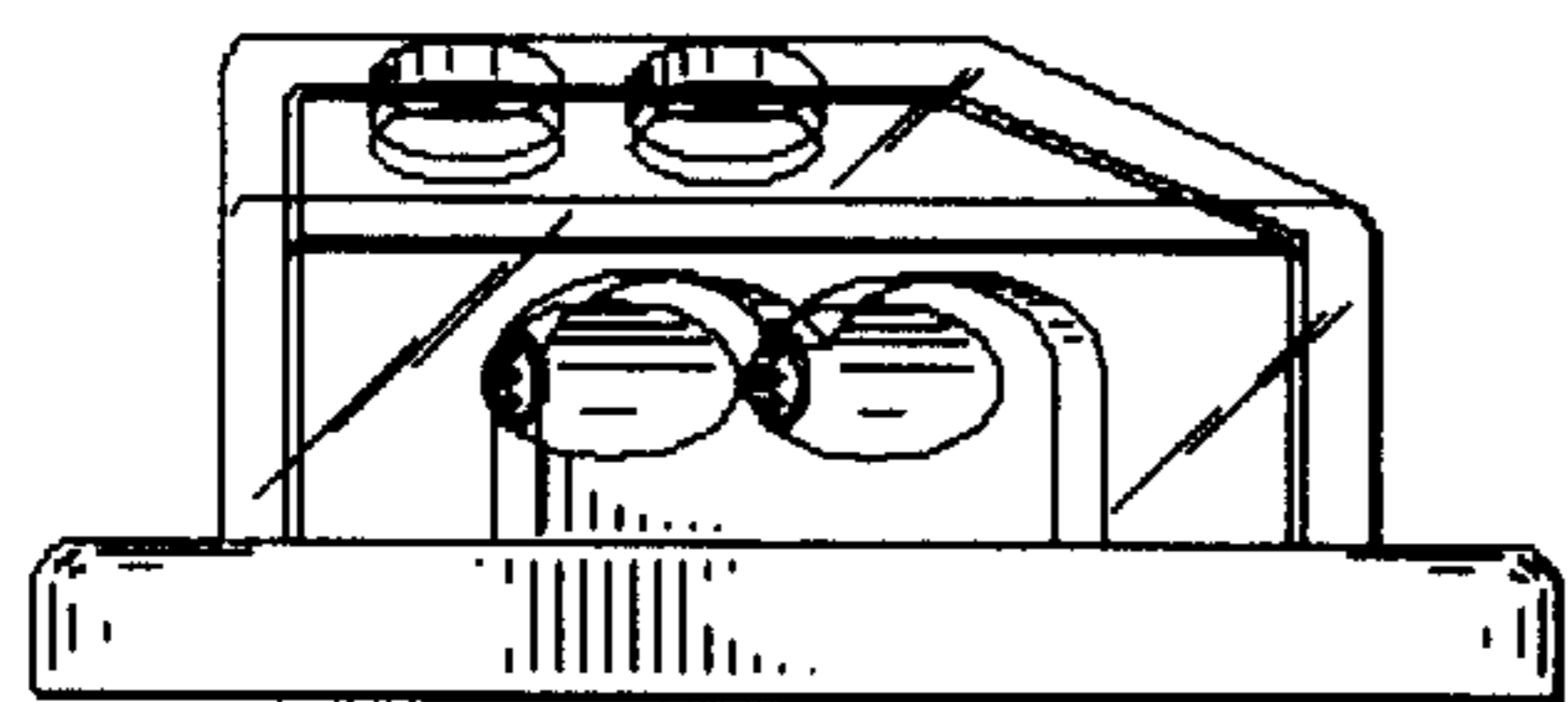


FIG. 2

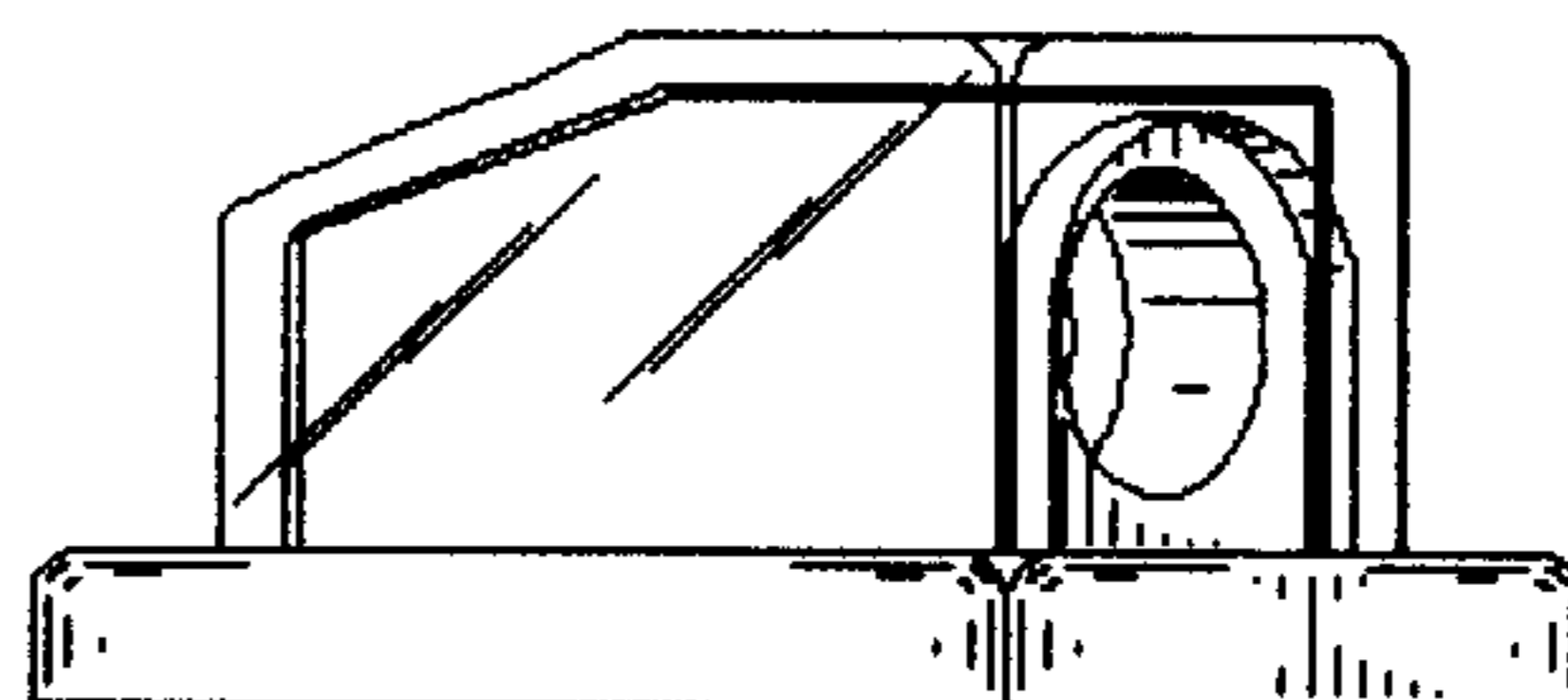


FIG. 3

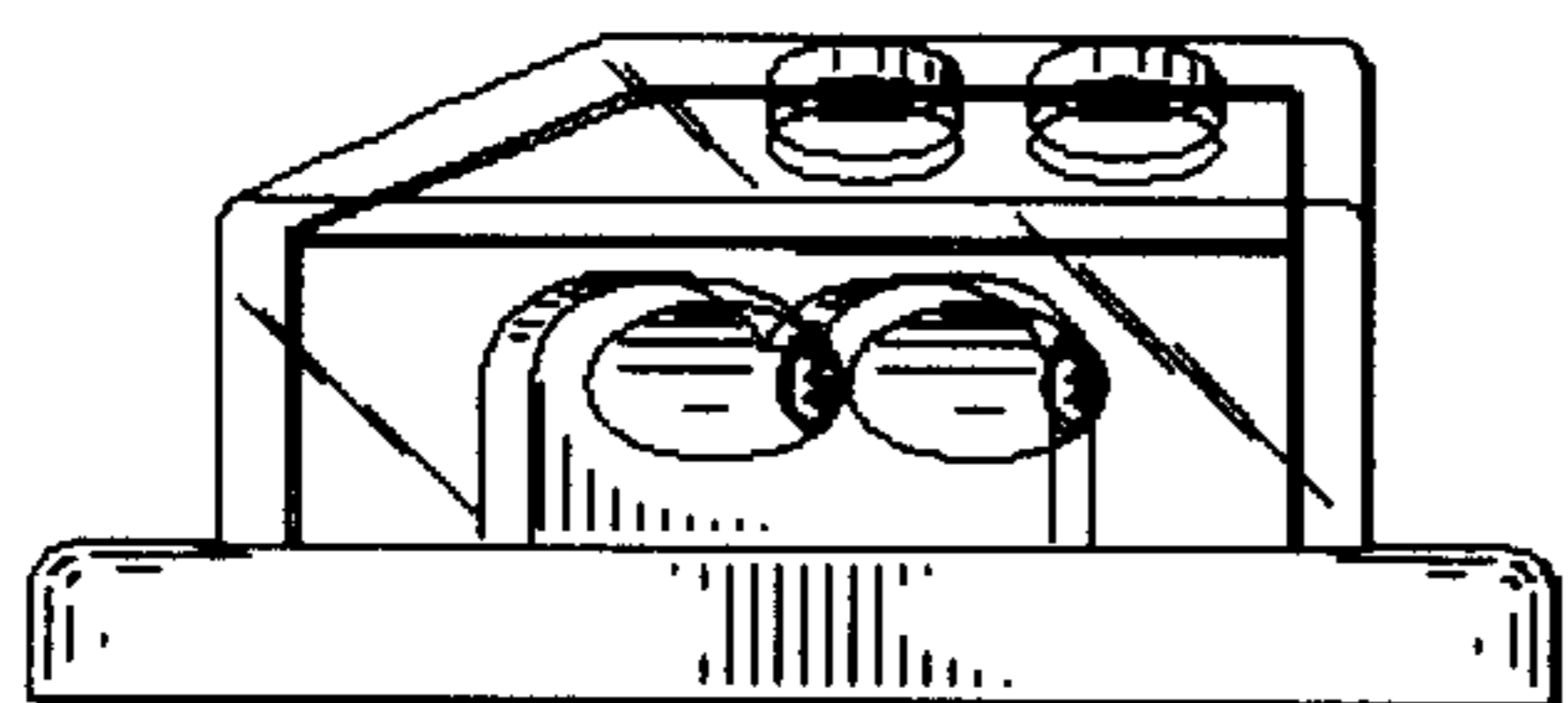


FIG. 4

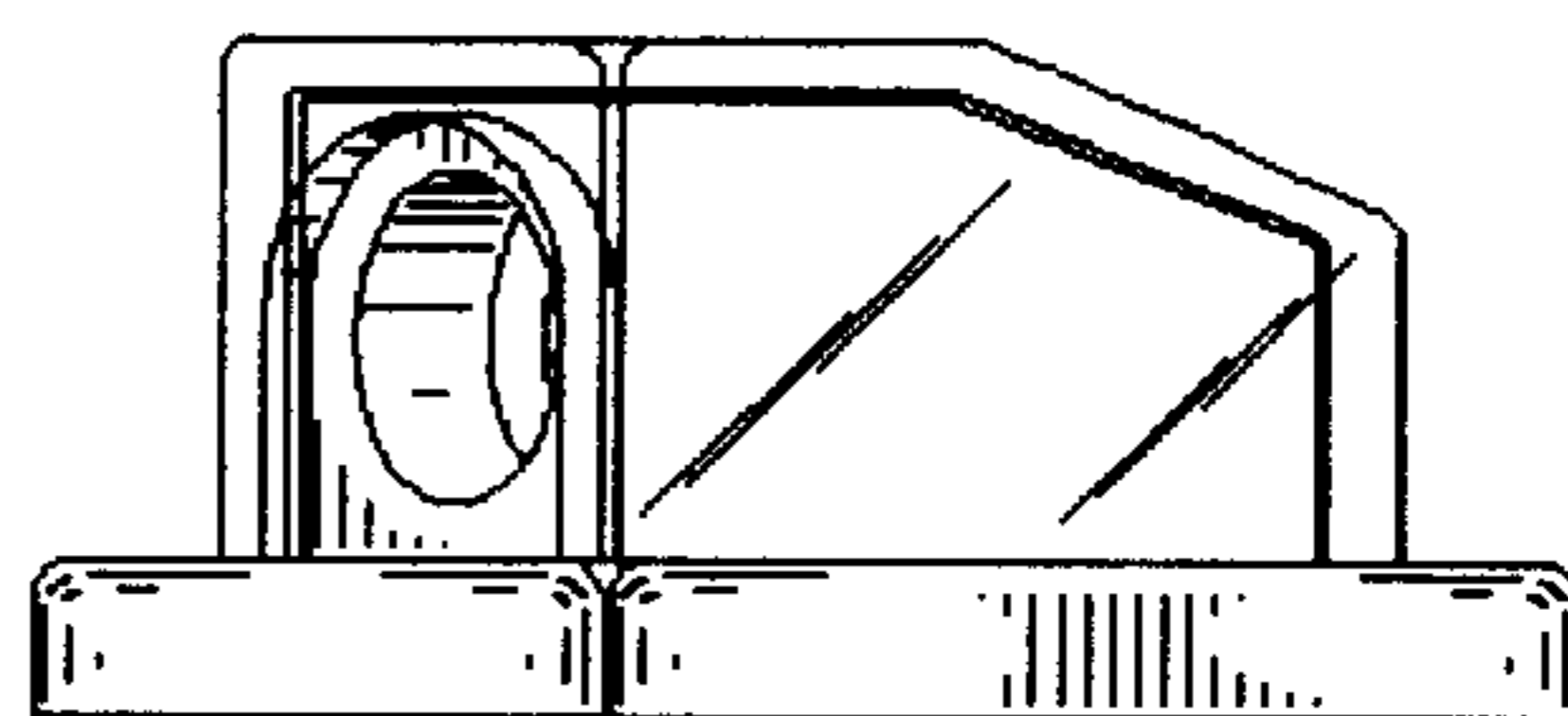


FIG. 5

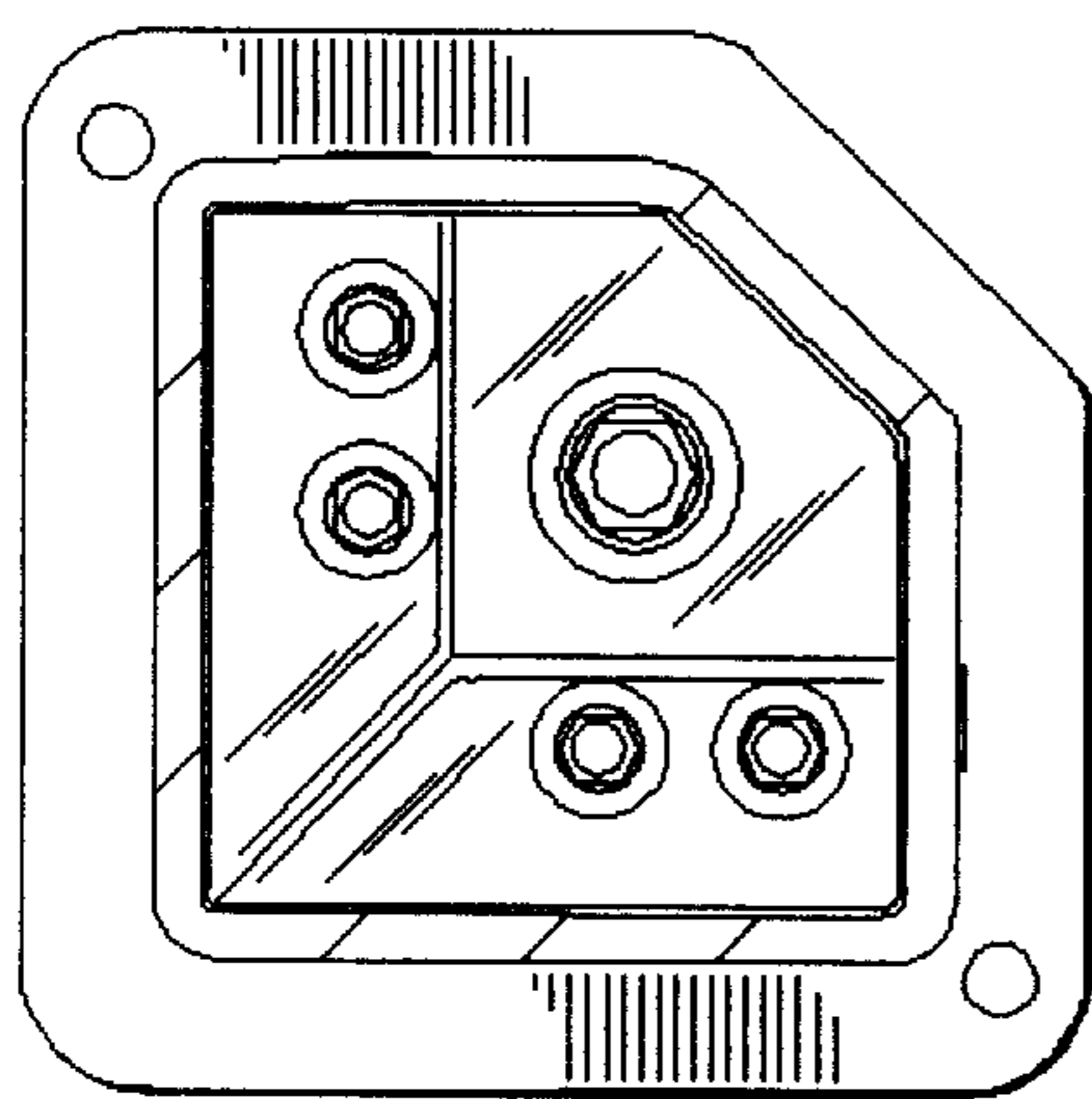


FIG. 6

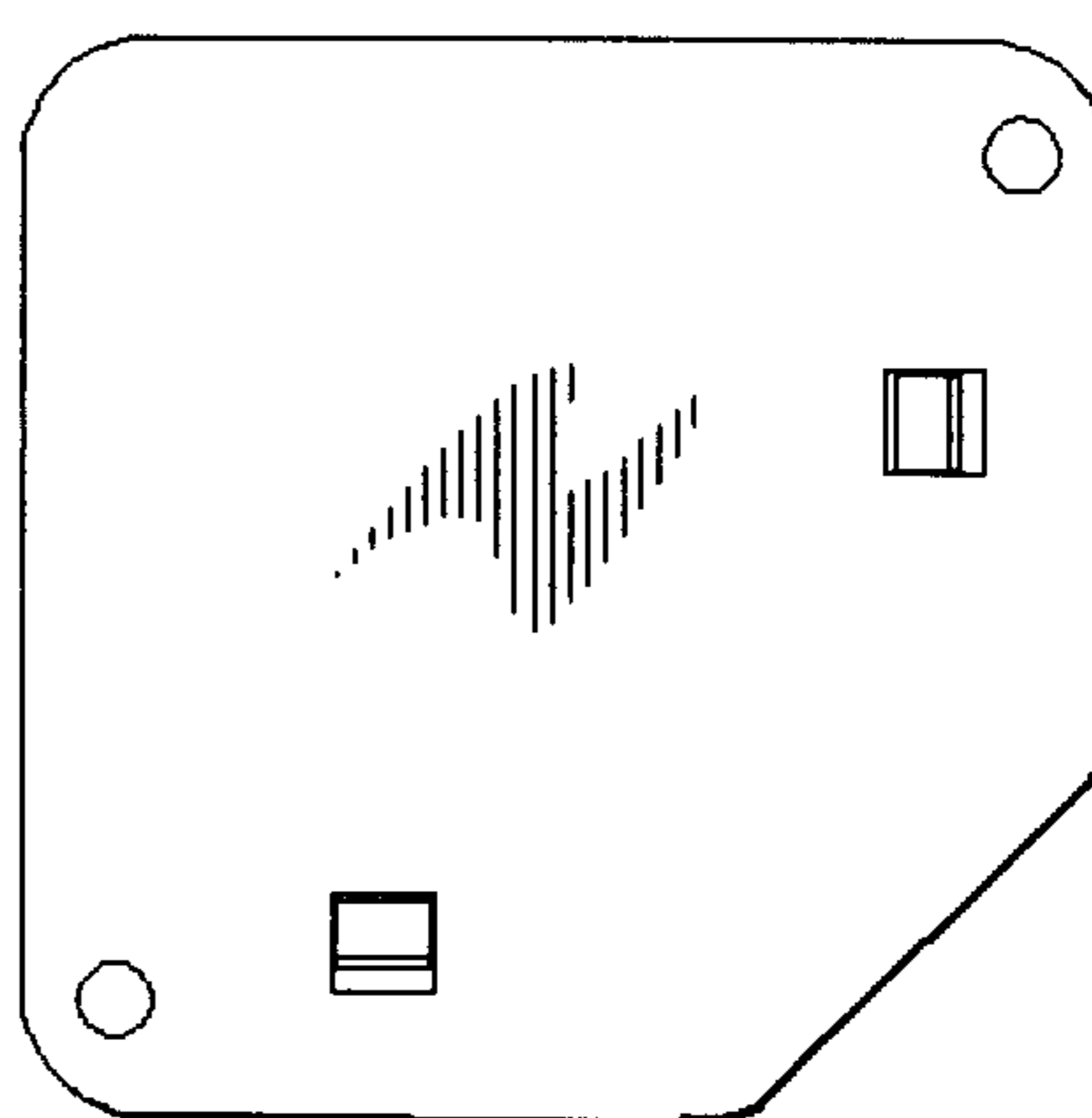


FIG. 7