



US00D405415S

United States Patent [19]

Henrici et al.

[11] **Patent Number: Des. 405,415**

[45] **Date of Patent: **Feb. 9, 1999**

[54] **LAMP SOCKET**

[75] Inventors: **Dieter Henrici**, Arnsberg;
Karl-Wilhelm Vogt, Ense, both of
Germany

[73] Assignee: **Brokelmann, Jaeger & Busse, GmbH**
& Co., Arnsberg, Germany

[**] Term: **14 Years**

[21] Appl. No.: **69,008**

[22] Filed: **Apr. 23, 1997**

[51] **LOC (6) Cl. 13-08**

[52] **U.S. Cl. D13/134**

[58] **Field of Search** D13/134; 313/51,
313/318.07; 439/336, 354, 356, 358, 602,
605, 660, 699.2, 611, 612, 36; 362/226

[56] **References Cited**

U.S. PATENT DOCUMENTS

- D. 324,373 3/1992 Kondo et al. D13/134
- D. 330,366 10/1992 Henrici D13/134
- D. 347,620 6/1994 Henrici D13/134

- D. 363,359 10/1995 Henrici D26/28
- 4,647,132 3/1987 Mikola 439/699.2 X
- 4,693,958 9/1987 Baba 439/699.2 X
- 5,630,729 5/1997 Francis 439/699.2 X
- 5,662,490 9/1997 Ogawa 439/336

FOREIGN PATENT DOCUMENTS

407254466 10/1995 Japan .

Primary Examiner—Joel Sincavage
Attorney, Agent, or Firm—Herbert Dubno

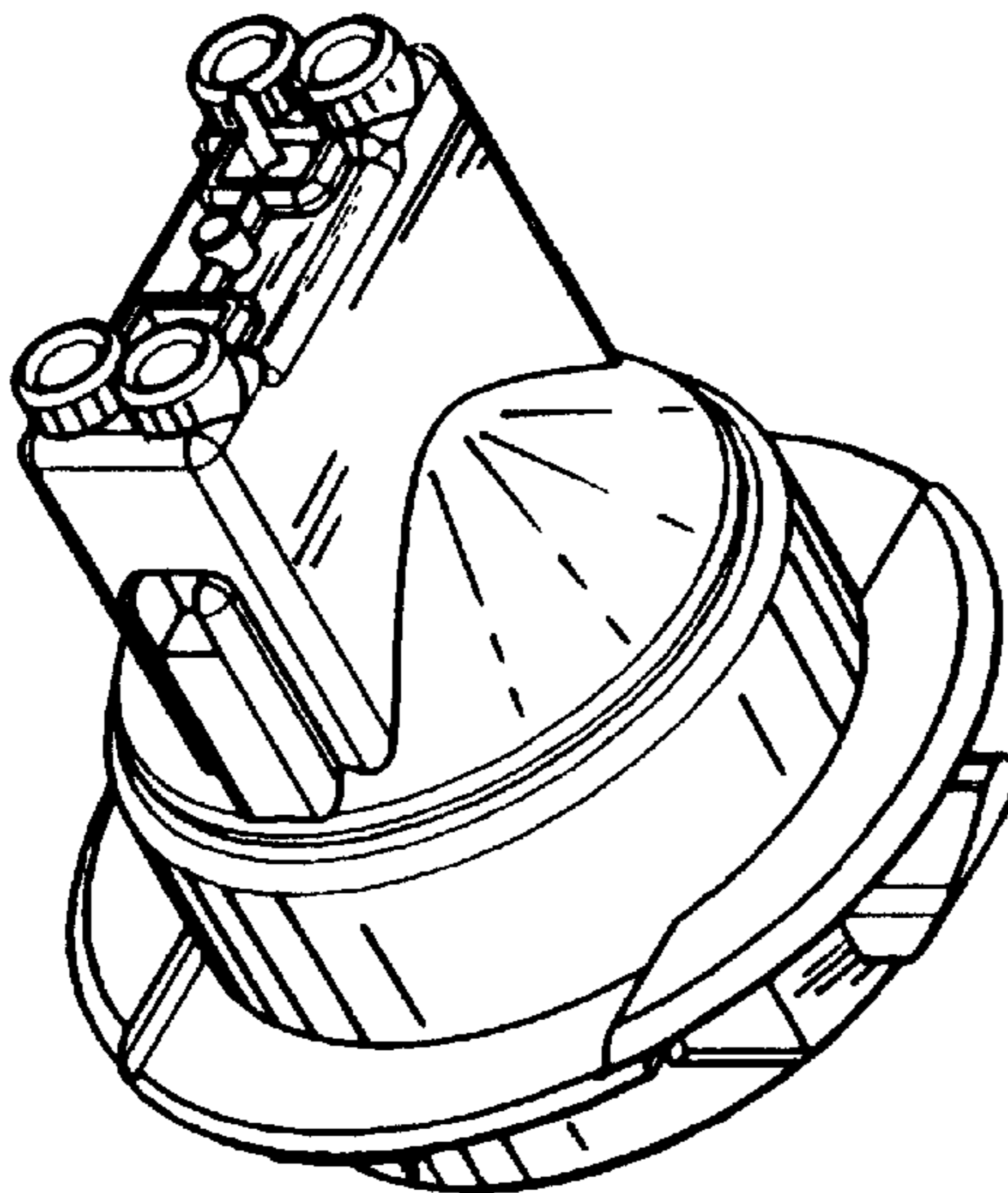
[57] **CLAIM**

The ornamental design for a lamp socket, as shown.

DESCRIPTION

FIG. 1 is a rear perspective view of a lamp socket embodying our new design;
FIG. 2 is a top view thereof;
FIG. 3 is a right side view thereof;
FIG. 4 is a rear view thereof;
FIG. 5 is a bottom view thereof;
FIG. 6 is a left side view thereof; and,
FIG. 7 is a front view thereof.

1 Claim, 3 Drawing Sheets



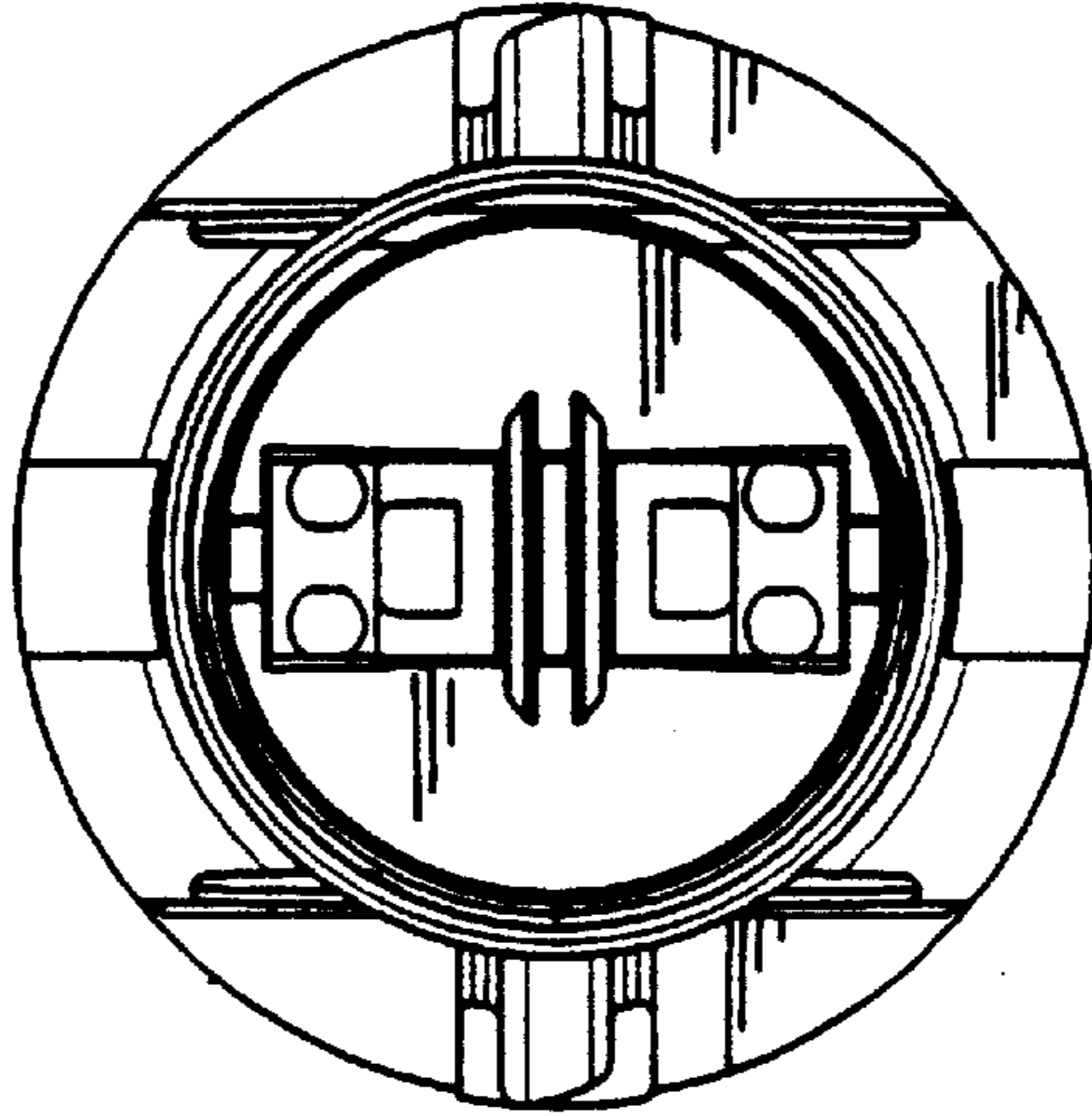


FIG. 7

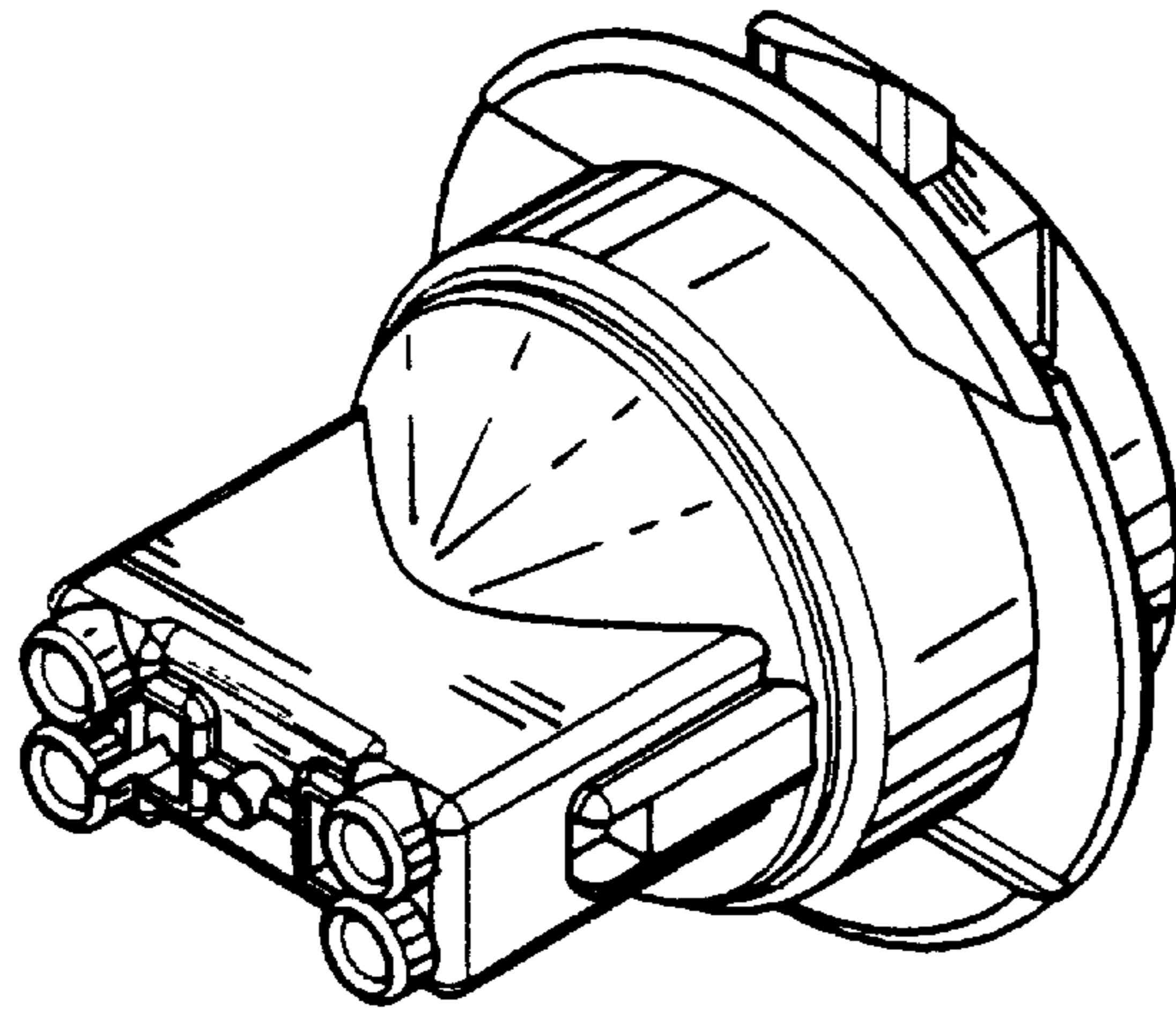


FIG. 1

FIG.2

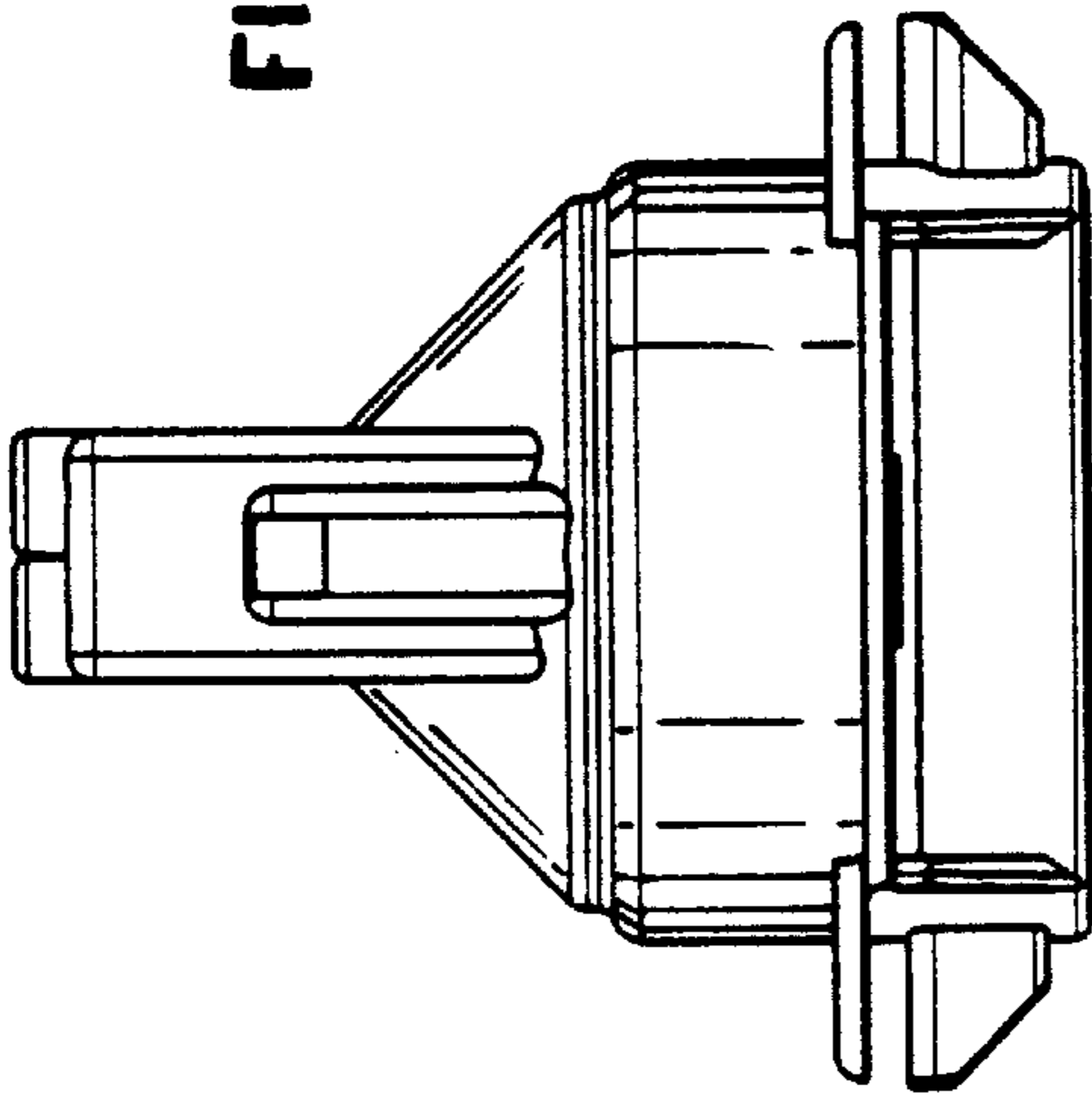


FIG.3

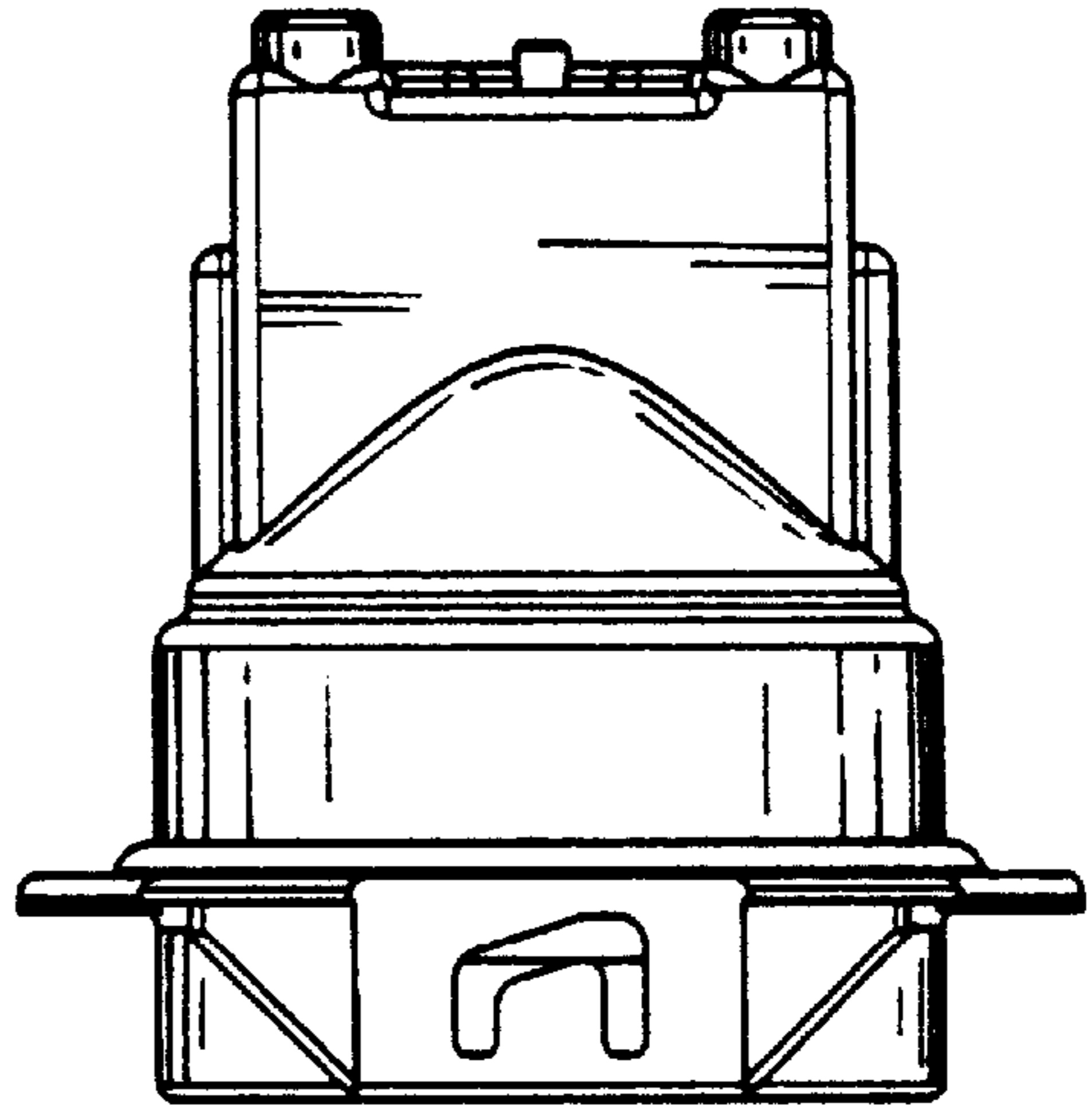
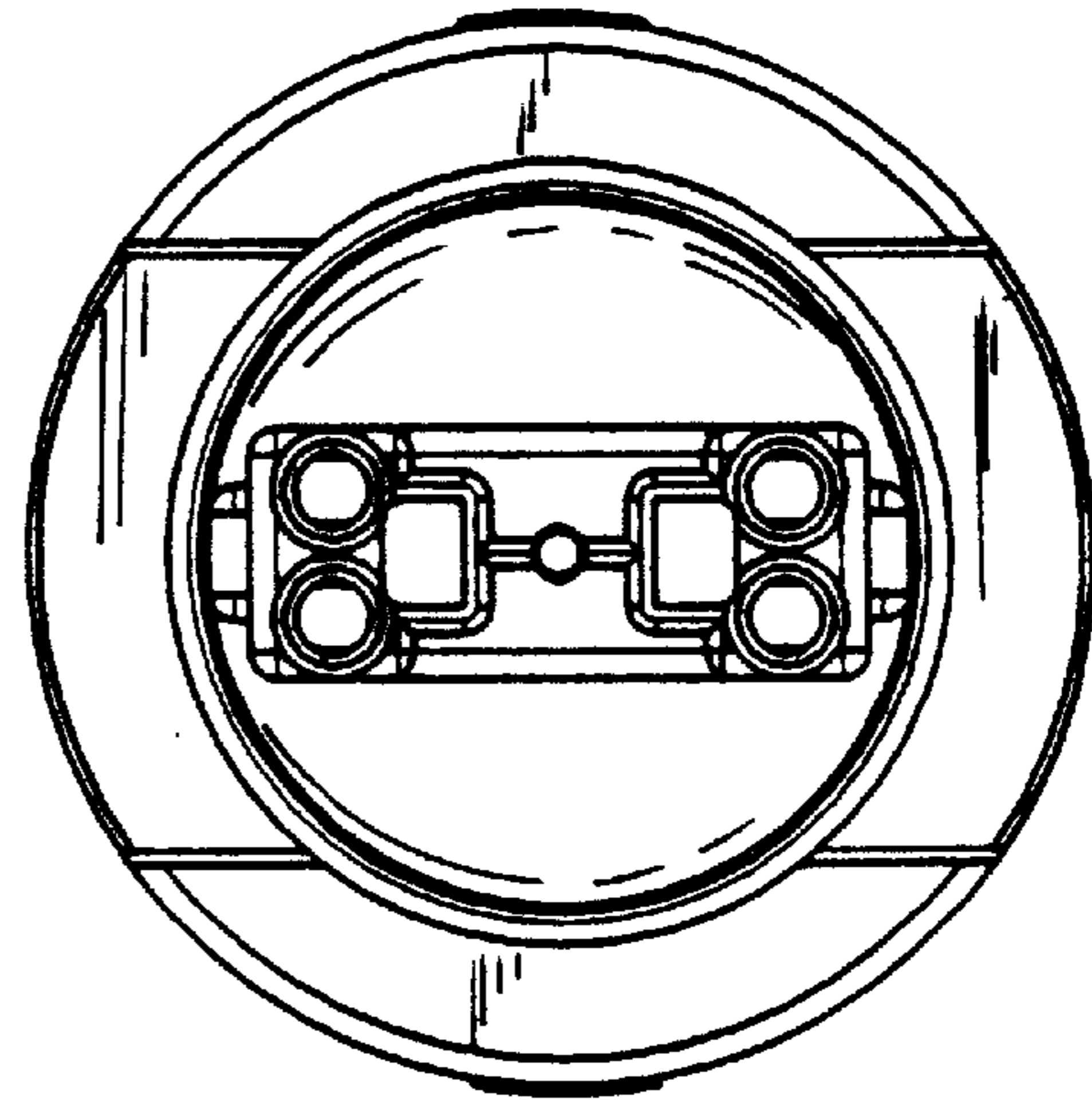


FIG.4



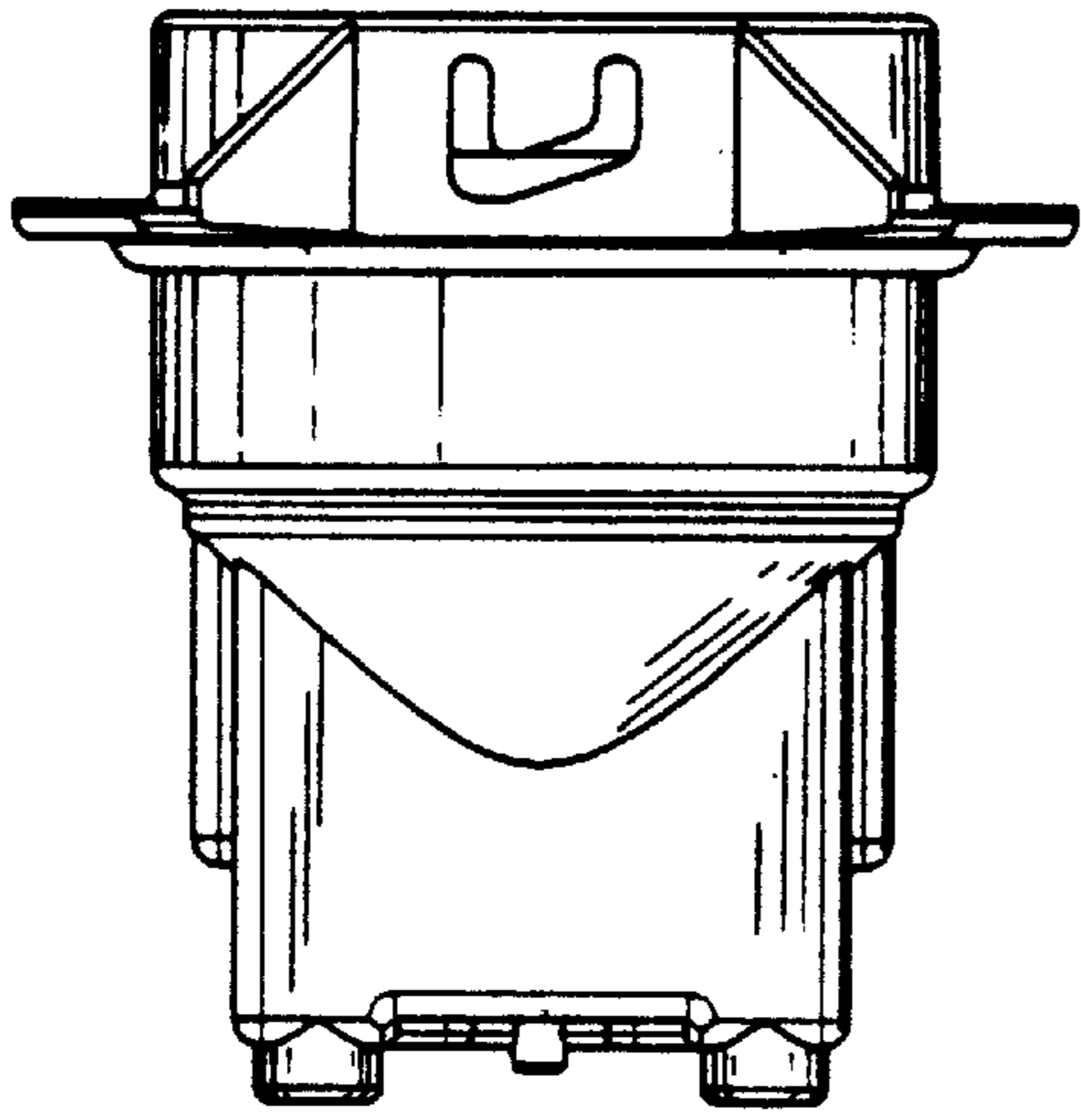


FIG. 6

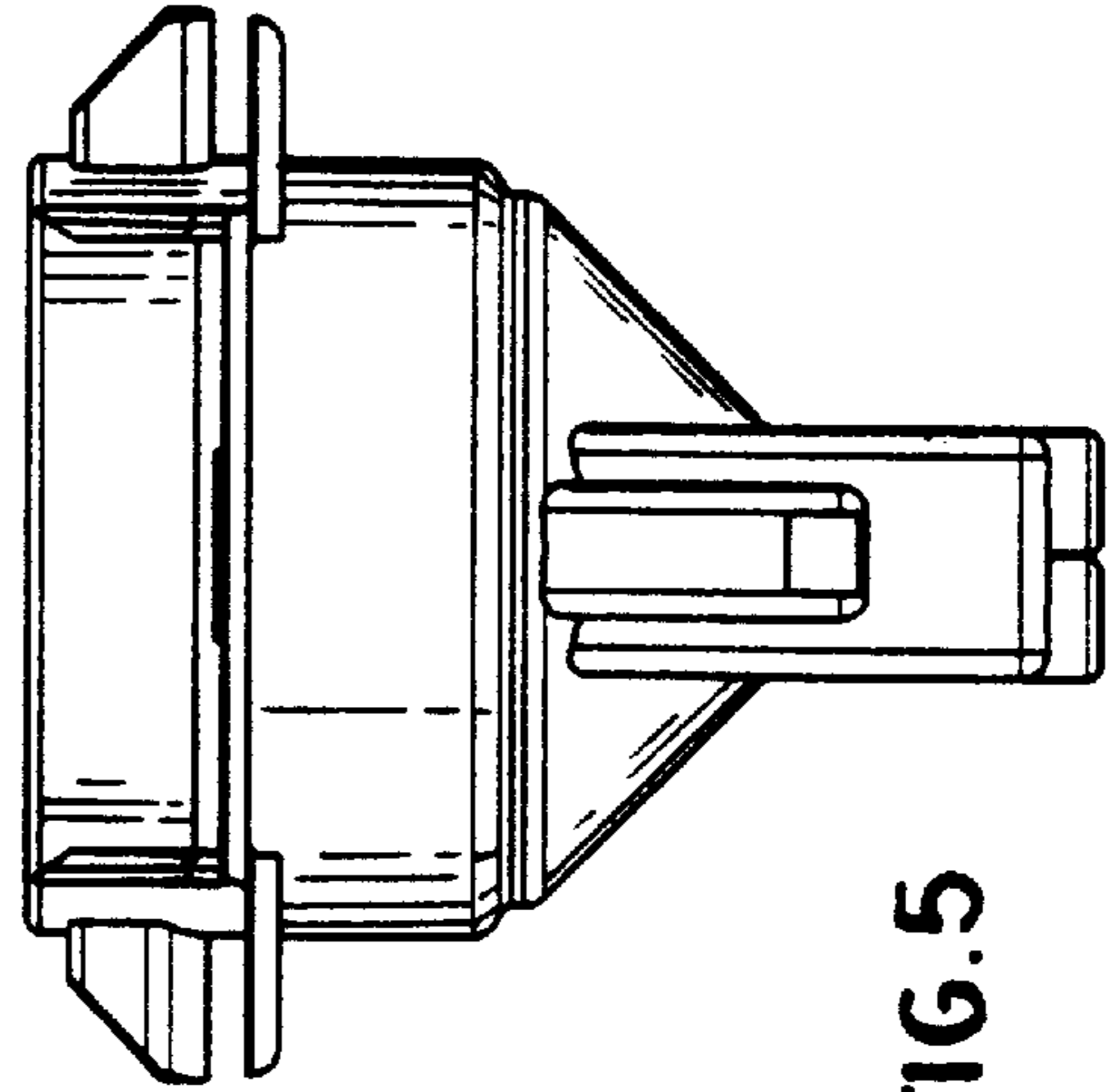


FIG. 5