



US00D405386S

United States Patent [19]
Ross

[11] **Patent Number: Des. 405,386**

[45] **Date of Patent: **Feb. 9, 1999**

[54] **PLANT CONTAINER**

5,503,886 4/1996 Guarriello et al. 47/65.5 X

[75] Inventor: **Daniel S. Ross**, Wylie, Tex.

OTHER PUBLICATIONS

[73] Assignee: **Ken Ross International, Inc.**, Wylie, Tex.

Injection Molders Inc. brochure, OPT-POTS; Item #1 Nursery cans. Nov. 9, 1977.

[**] Term: **14 Years**

Primary Examiner—Caron D. Veynar
Attorney, Agent, or Firm—Charles D. Gunter, Jr.

[21] Appl. No.: **84,091**

[57] **CLAIM**

[22] Filed: **Feb. 24, 1998**

The ornamental design for a plant container, as shown and described.

[51] **LOC (6) Cl.** **11-02**

DESCRIPTION

[52] **U.S. Cl.** **D11/152**

[58] **Field of Search** D11/143-156;
D6/403; 47/65.5, 66.7, 68, 72, 39, 40, 41.01;
206/423; 248/27.8

FIG. 1 is a front, perspective view of the plant container of the invention;

FIG. 2 is a front, plan view of the container of FIG. 1;

FIG. 3 is a bottom view of the container of FIG. 1;

FIG. 4 is a top view of the container of the invention; and,

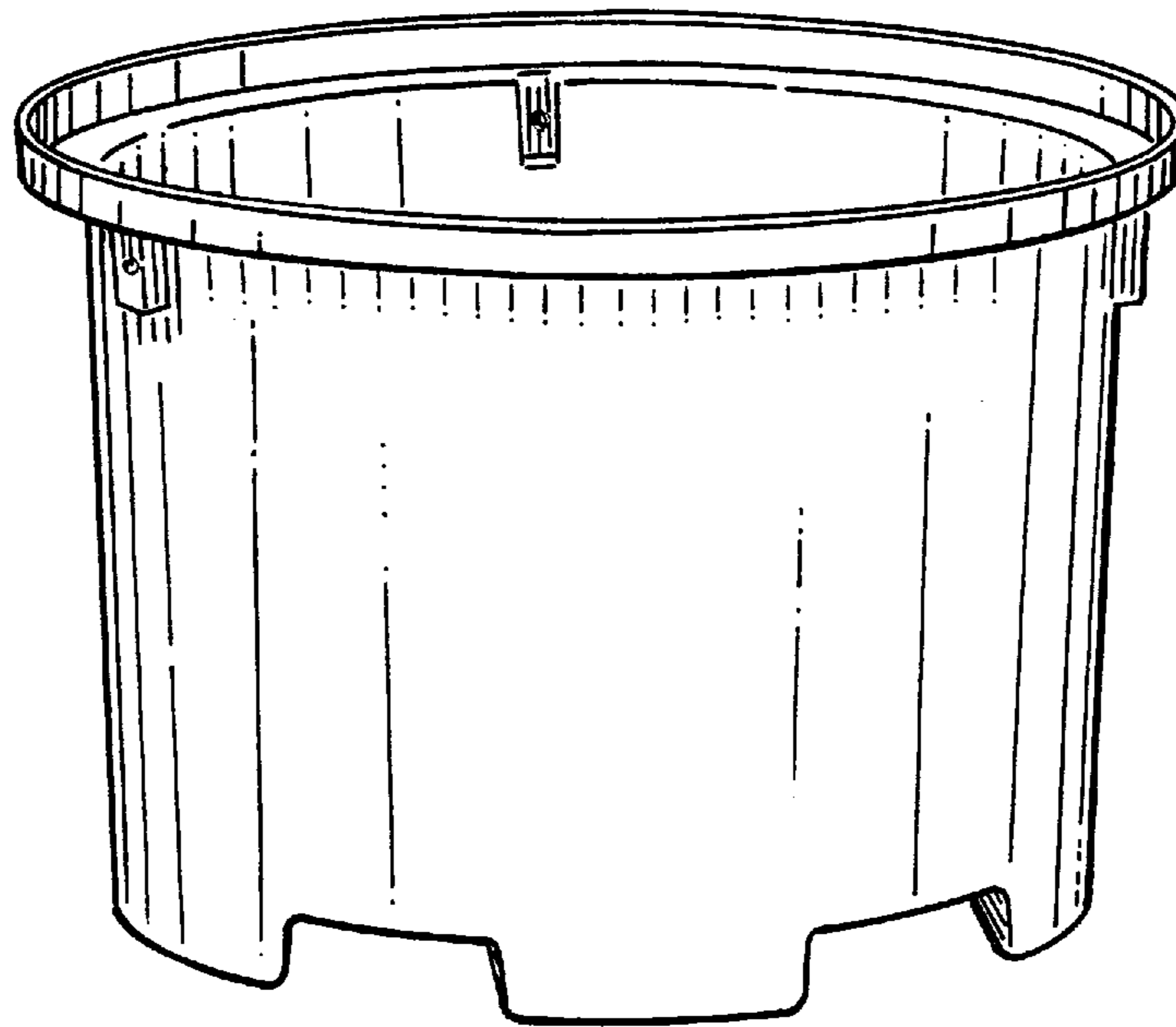
FIGS. 5-7 are side views of the container similar to FIG. 2 but rotated 90° in each case.

[56] **References Cited**

U.S. PATENT DOCUMENTS

D. 243,031	1/1977	Anderson	D11/152
D. 259,774	7/1981	Criscitiello, Jr.	D11/143
D. 361,956	9/1995	Moore	D11/152

1 Claim, 3 Drawing Sheets



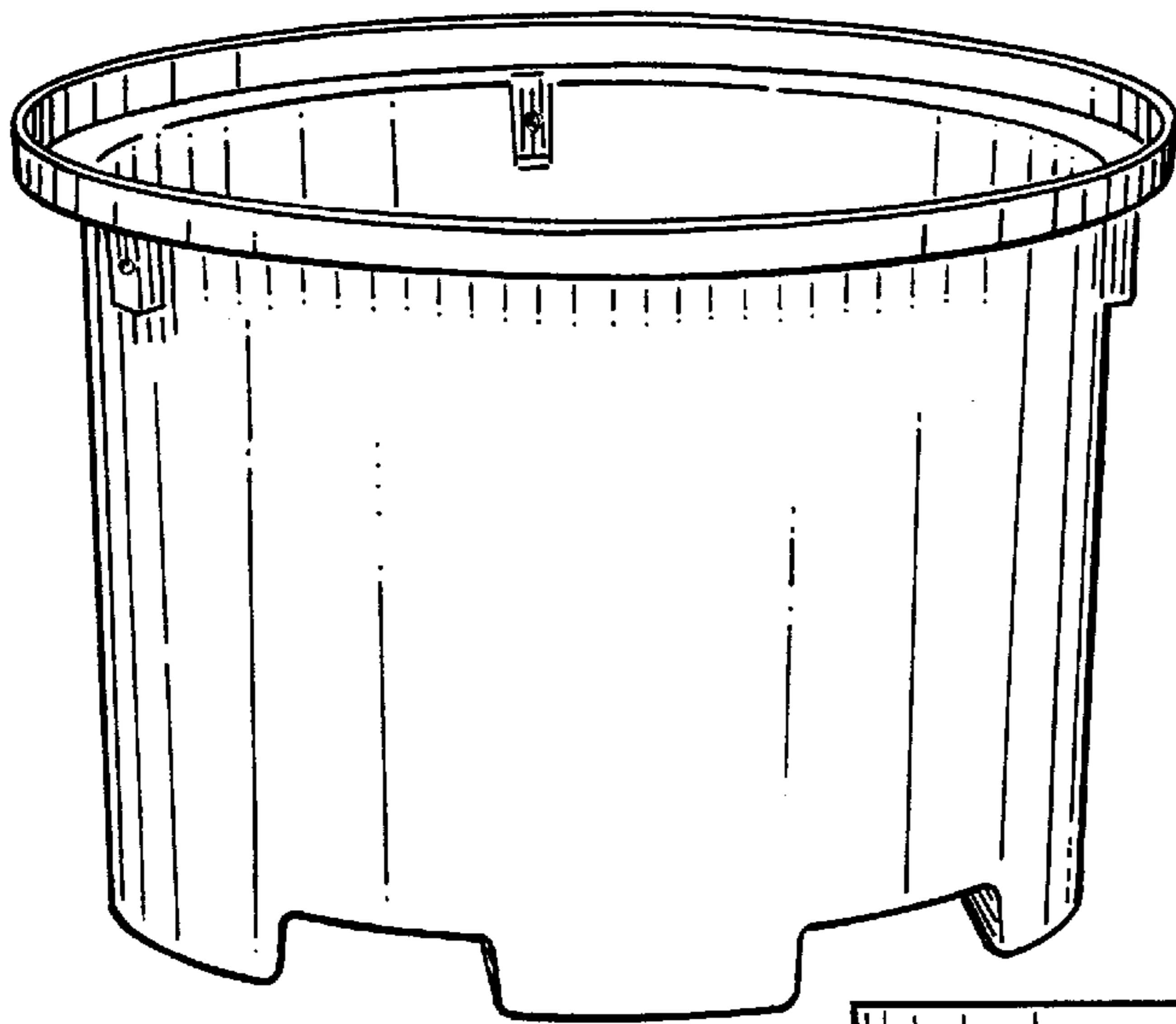


FIG. 1

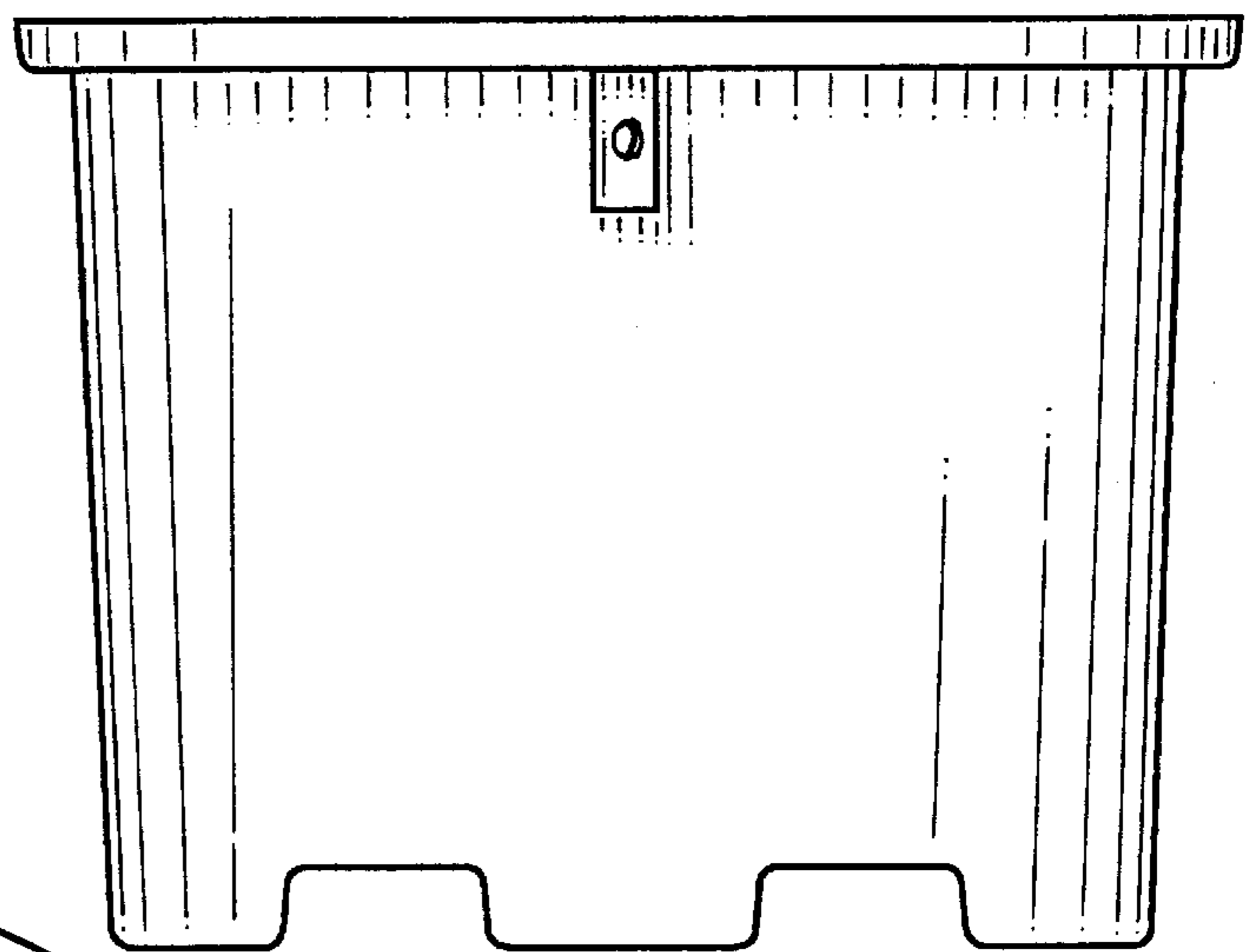


FIG. 2

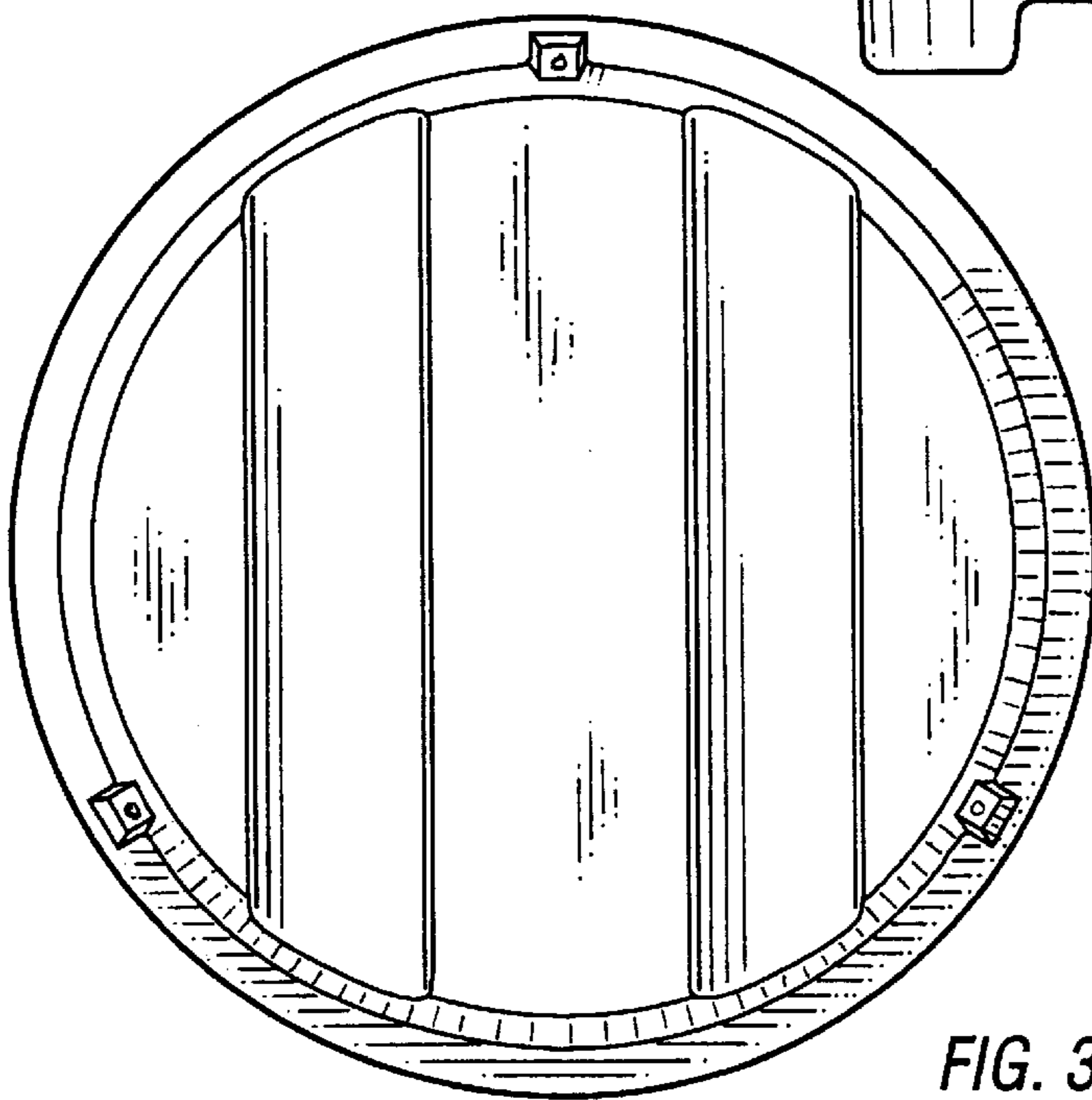


FIG. 3

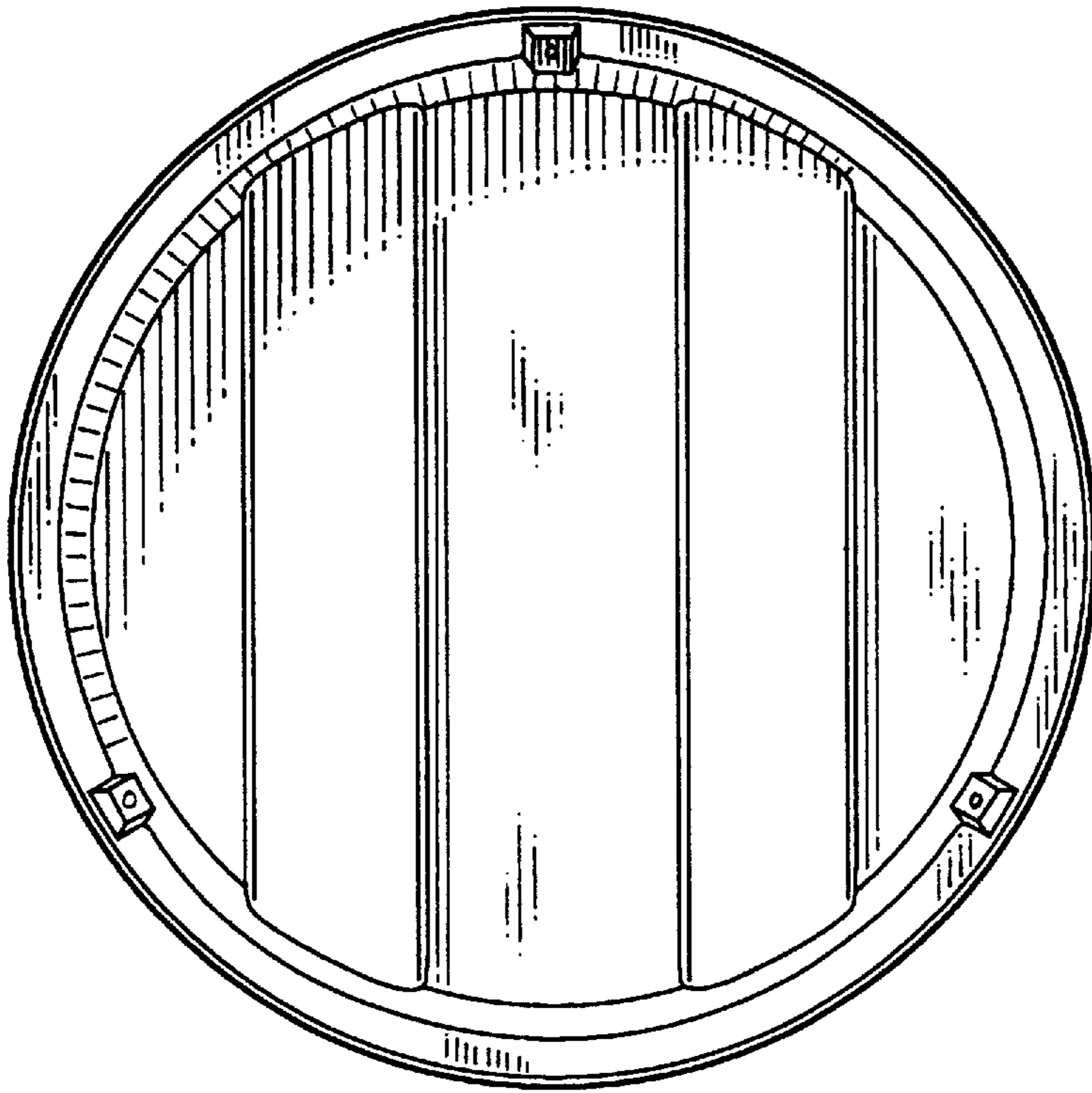


Fig. 4

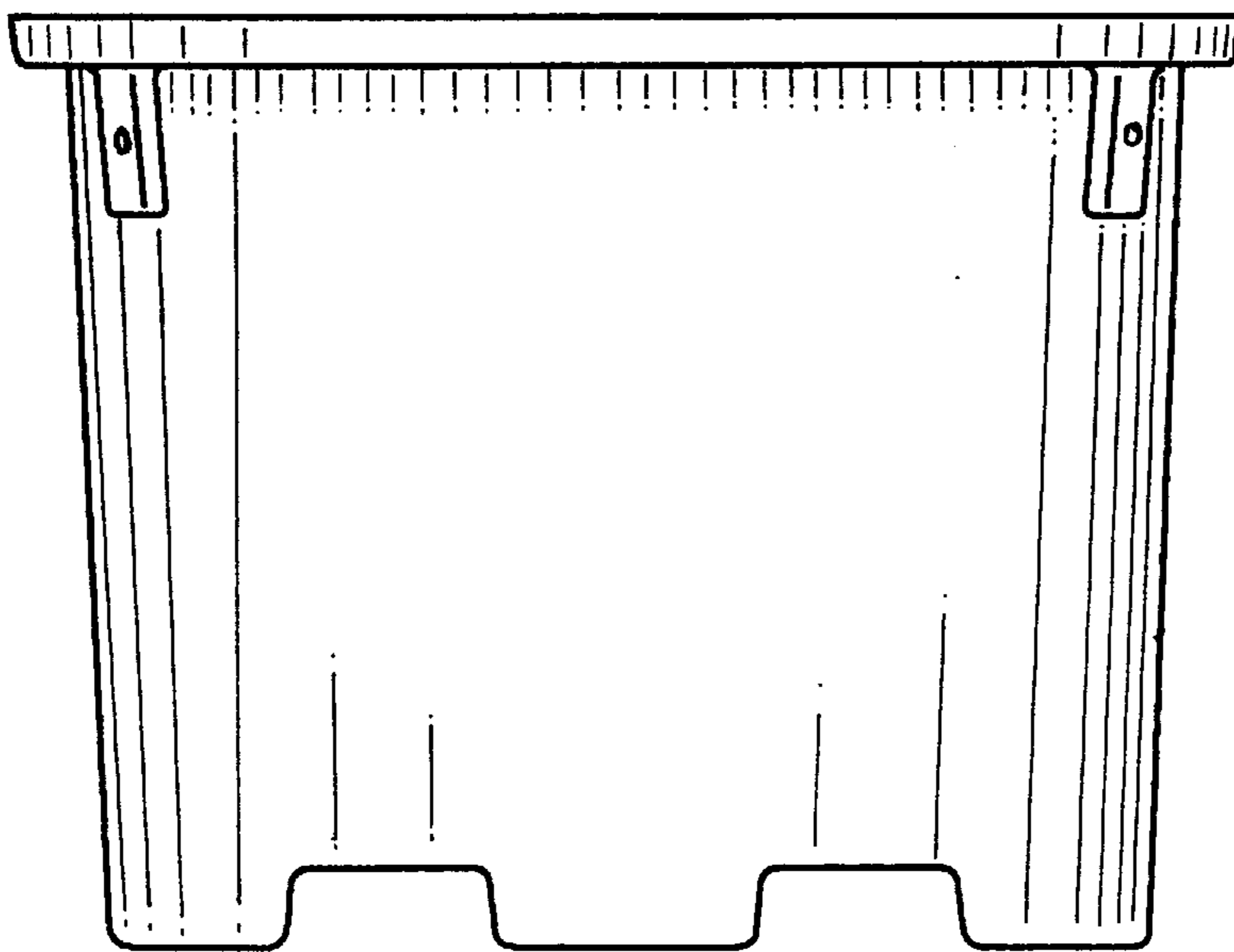


Fig. 5

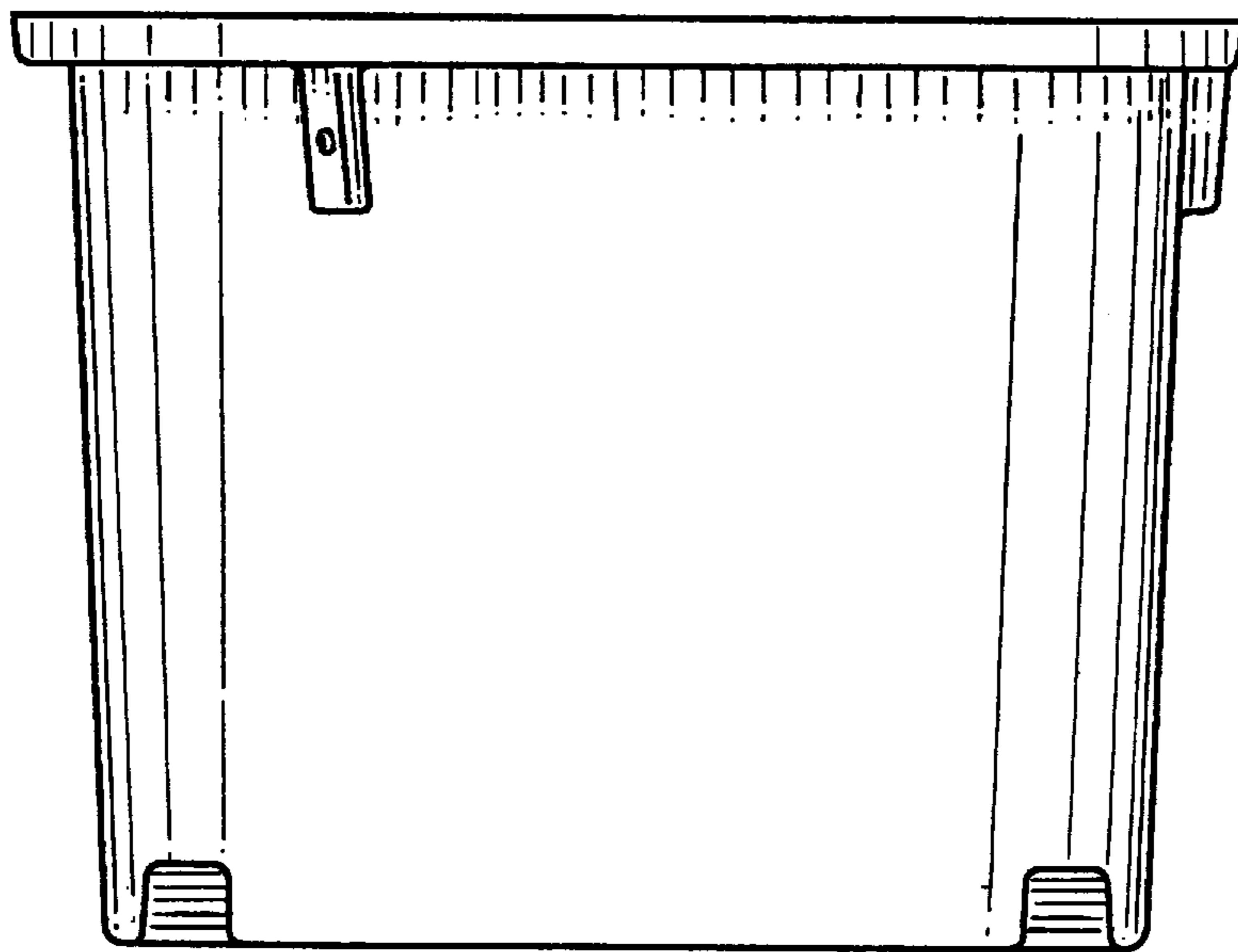


FIG. 6

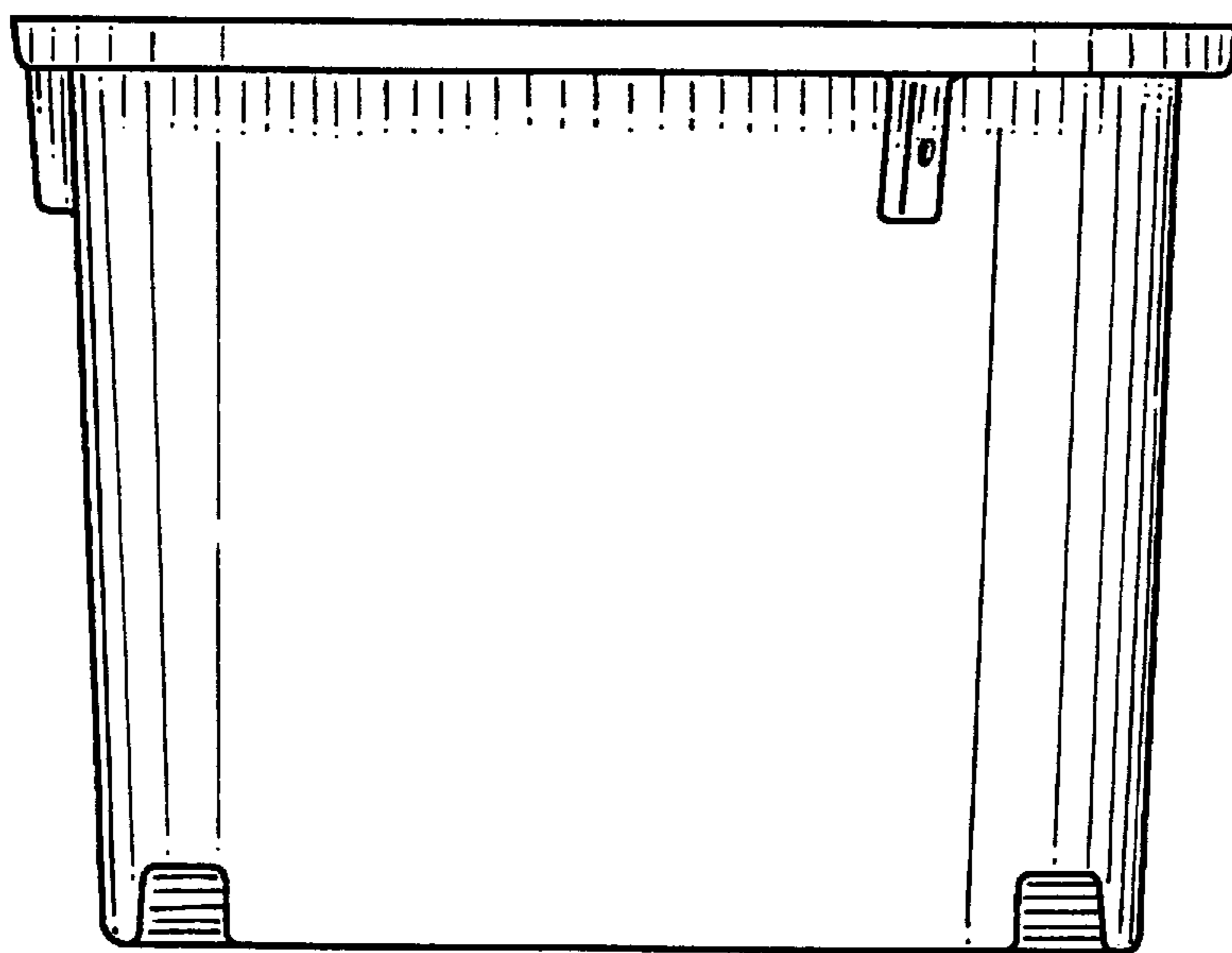


FIG. 7