



US00D405376S

United States Patent [19] Stekelenburg

[11] **Patent Number: Des. 405,376**

[45] **Date of Patent: **Feb. 9, 1999**

[54] **TIMER**

D. 296,878	7/1988	Rakocy	D10/40
D. 325,175	4/1992	Tinz	D10/40
D. 380,396	7/1997	Svarnias	D10/40

[75] Inventor: **Albert Stekelenburg**, Taipei, Taiwan

[73] Assignee: **Grasslin Far East Corporation**, Taipei, Taiwan

Primary Examiner—Nelson C. Holtje
Attorney, Agent, or Firm—Bacon & Thomas, PLLC

[**] Term: **14 Years**

[57] **CLAIM**

[21] Appl. No.: **87,616**

The ornamental design for a timer, as shown and described.

[22] Filed: **May 7, 1998**

DESCRIPTION

[51] **LOC (6) Cl.** **10-03**

FIG. 1 is a top view of a timer showing the preferred embodiment of my new design;

[52] **U.S. Cl.** **D10/40; D13/142**

FIG. 2 is a front view thereof;

[58] **Field of Search** D10/1-40, 122-132, D10/75; 200/38 R; D13/139, 142; 307/140 R, 141 R, 141.4; 368/97-100, 107-109, 121, 246

FIG. 3 is a right side elevational view thereof;

FIG. 4 is a left side elevational view thereof;

FIG. 5 is a rear elevational view thereof;

FIG. 6 is a bottom view thereof; and,

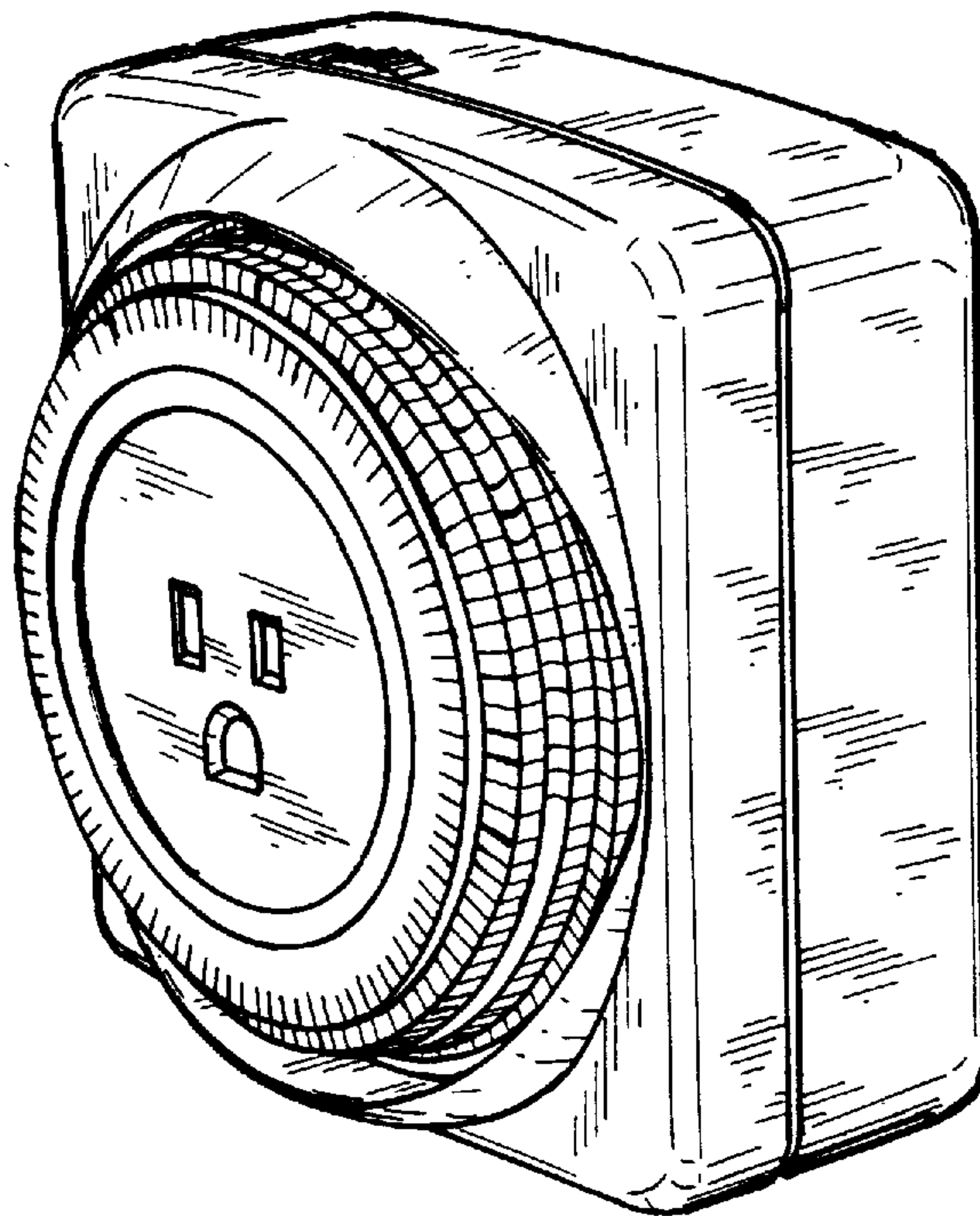
FIG. 7 is a perspective view thereof.

[56] **References Cited**

U.S. PATENT DOCUMENTS

D. 265,553 7/1982 Joss D10/40

1 Claim, 3 Drawing Sheets



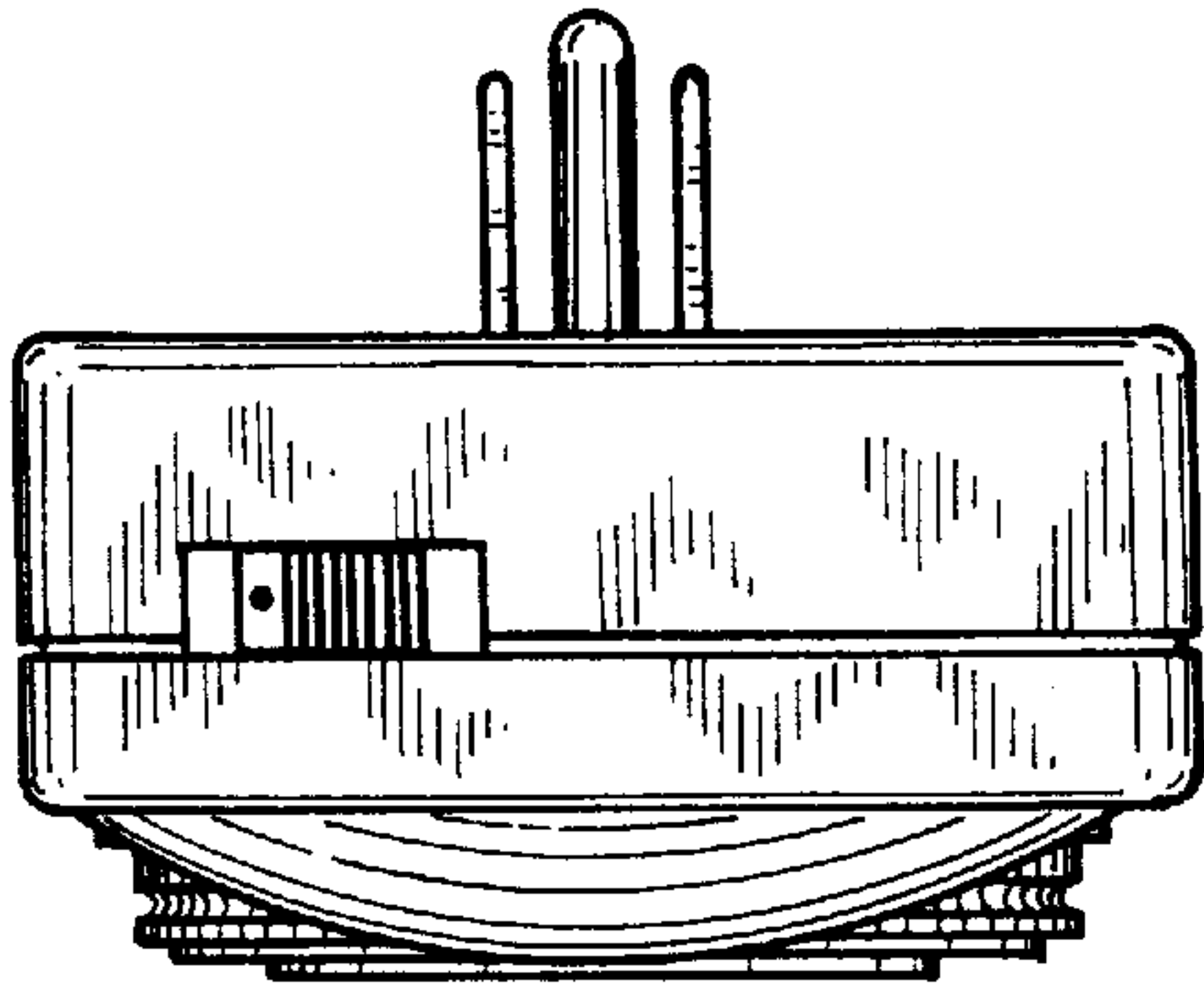


FIG. 1

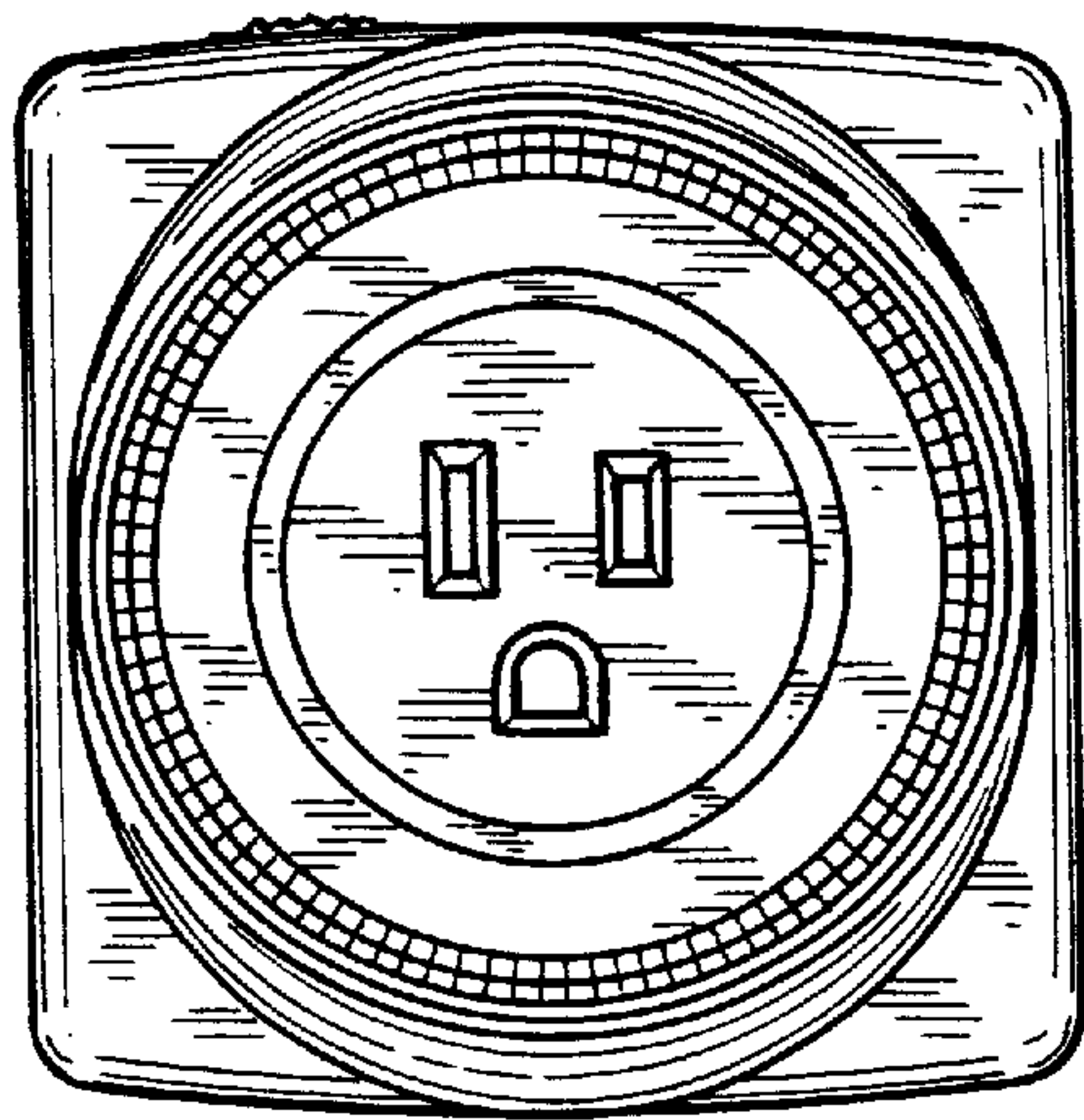


FIG. 2

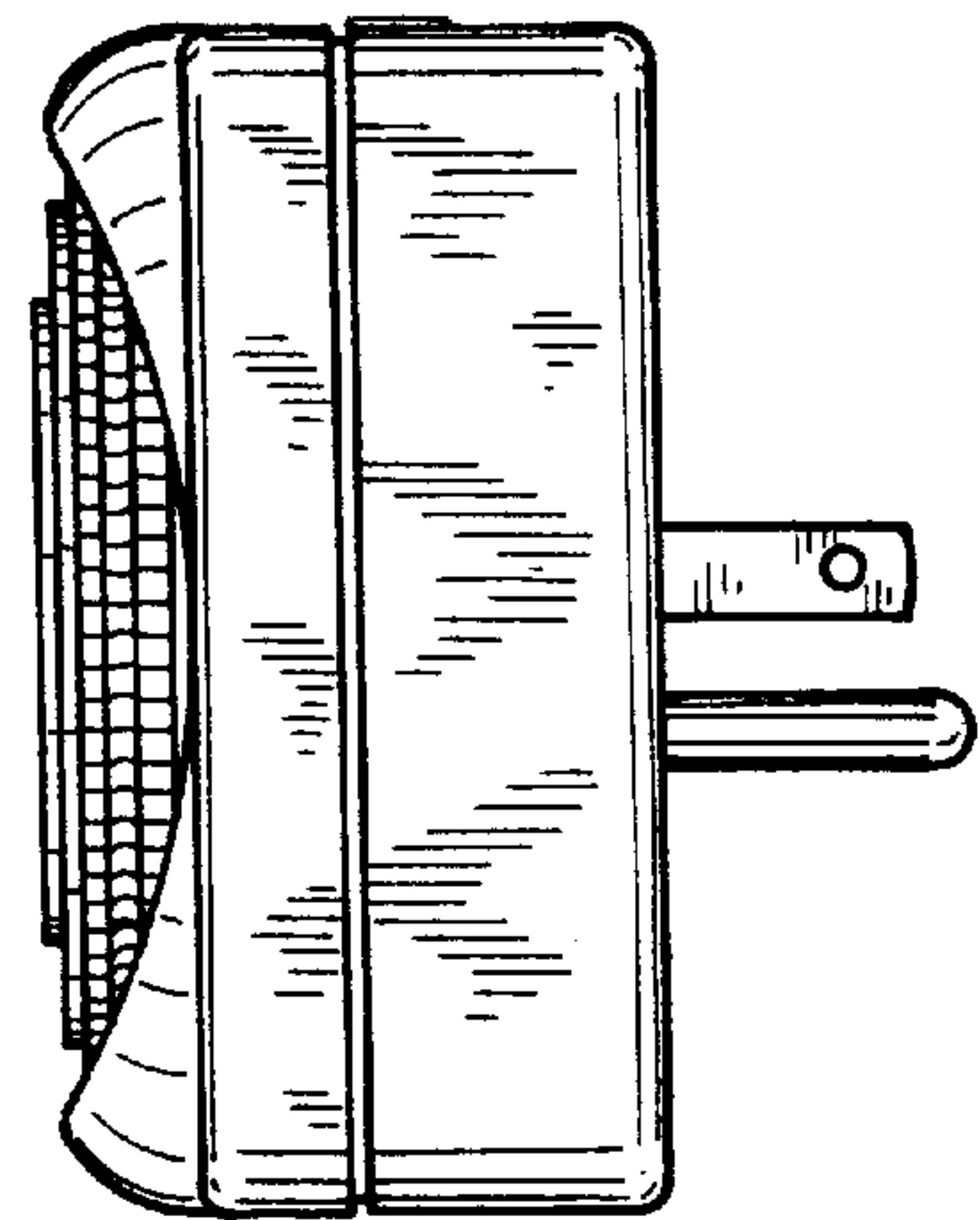


FIG. 3

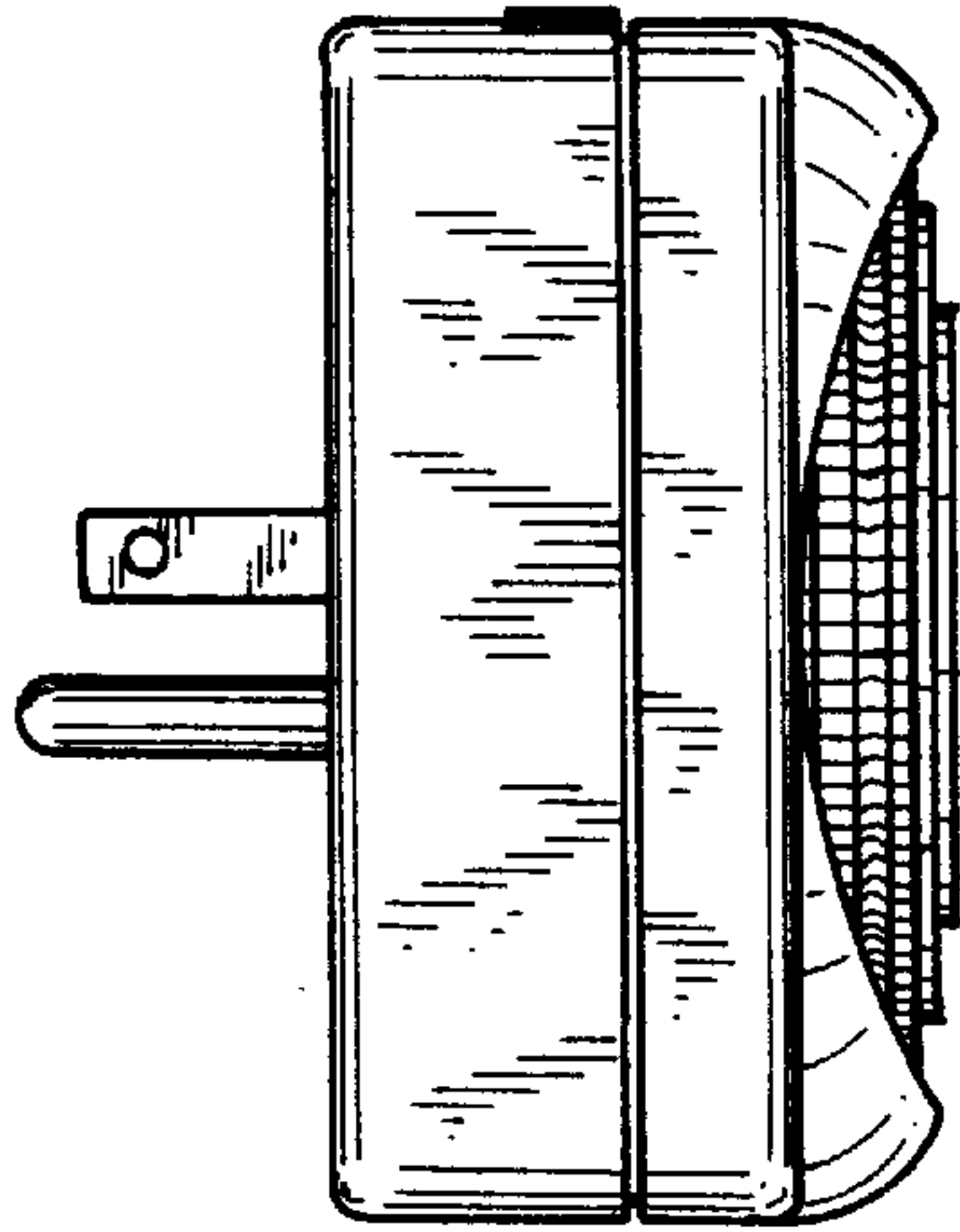


FIG. 4

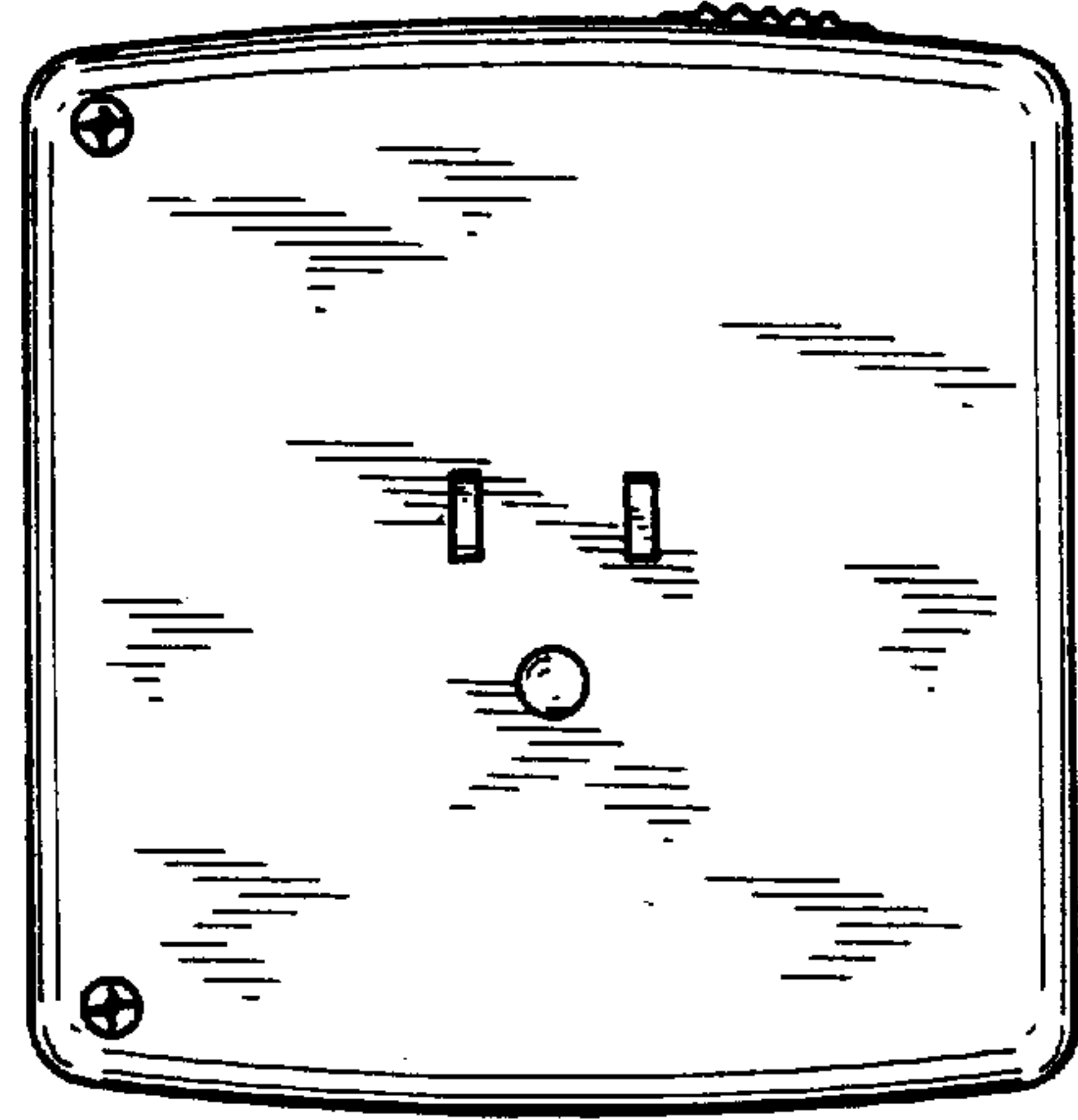


FIG. 5

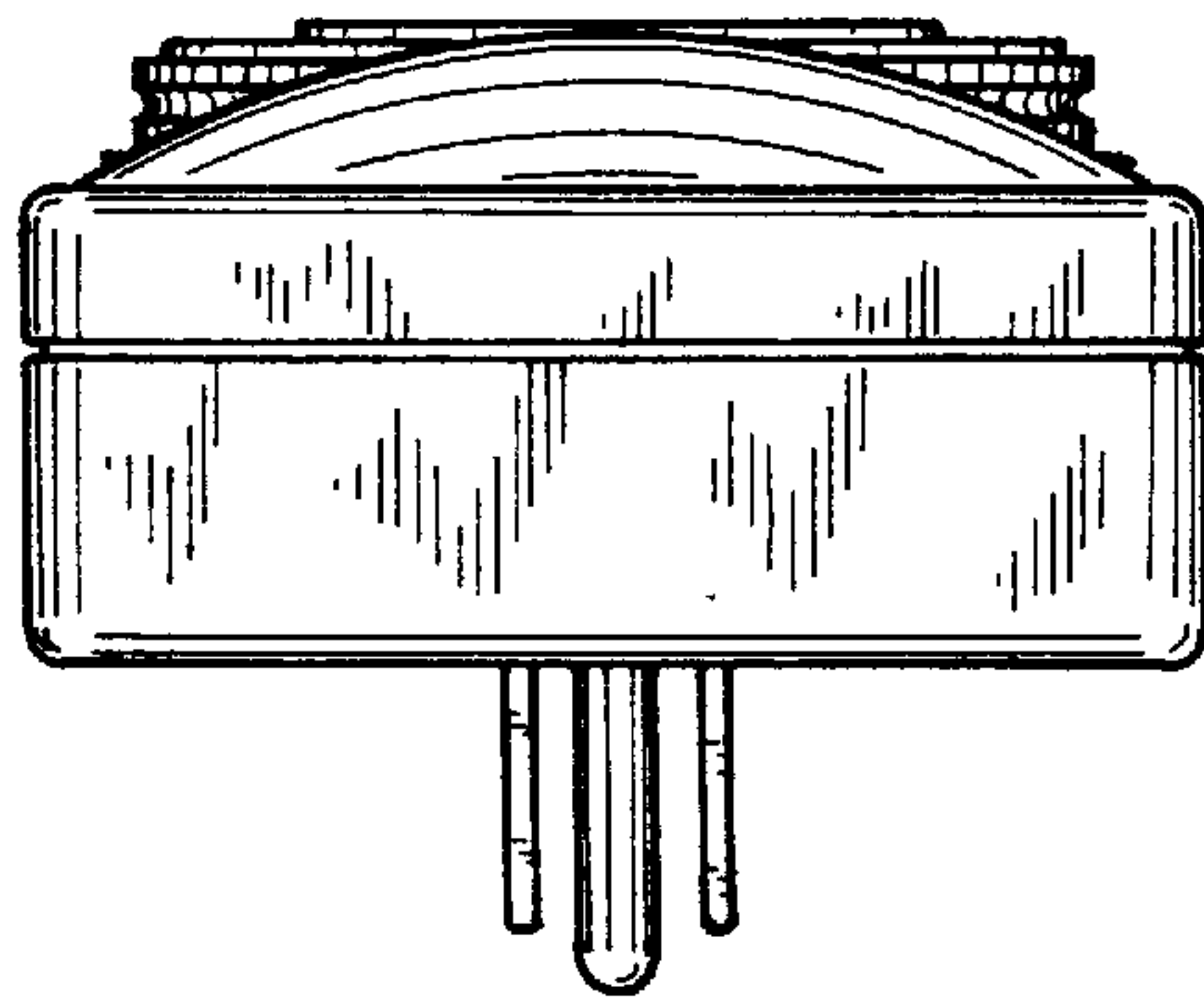


FIG. 6

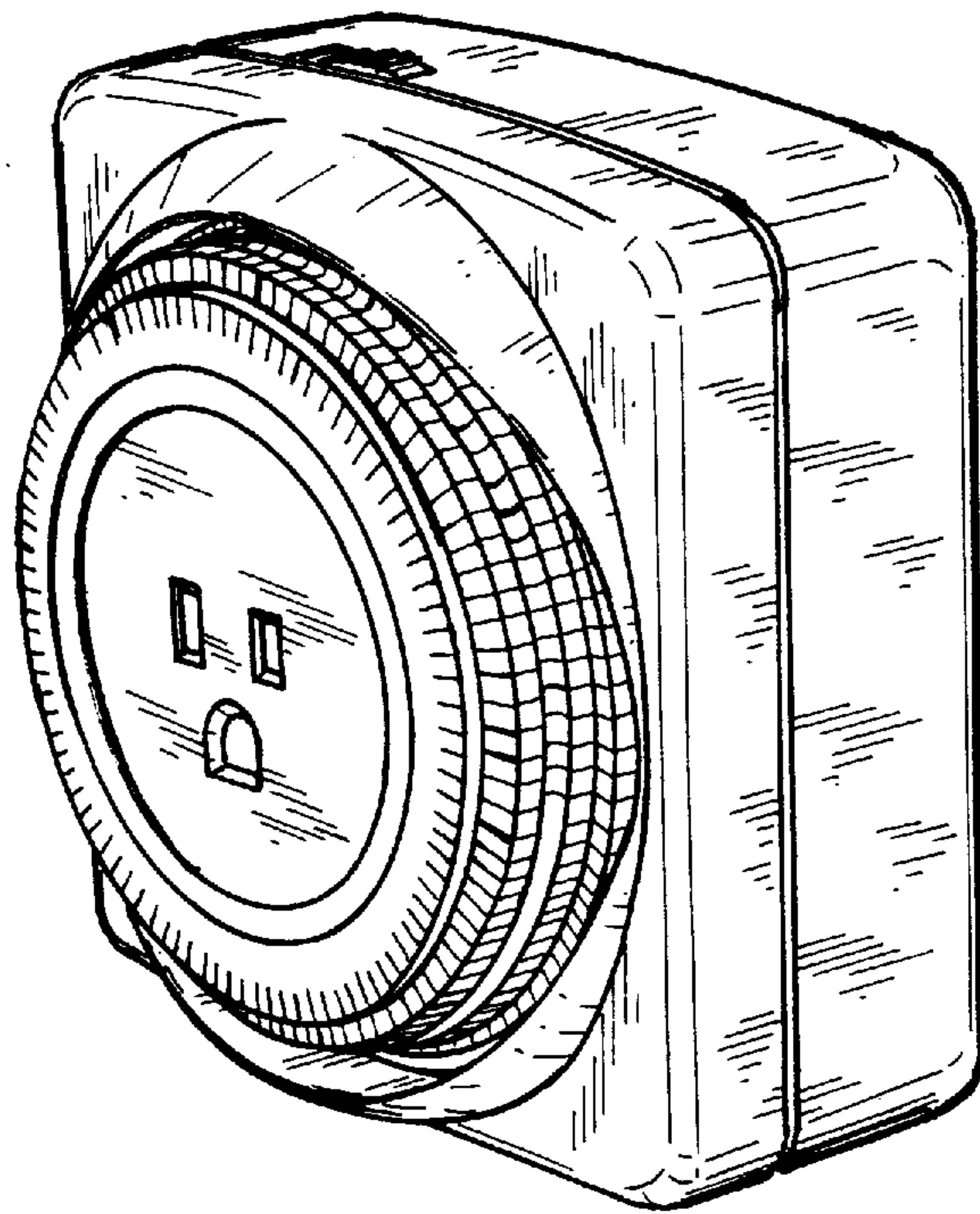


FIG. 7