



US00D405375S

United States Patent [19]
Chodat

[11] **Patent Number:** **Des. 405,375**

[45] **Date of Patent:** ****Feb. 9, 1999**

[54] **WATCH**

Attorney, Agent, or Firm—Stroock & Stroock & Lavan LLP

[75] Inventor: **Jean-Pierre Chodat**, Auvernier,
Switzerland

[57] **CLAIM**

The ornamental design for a watch, as shown.

[73] Assignee: **Gilmar S.P.A.**, Marignano, Italy

[**] Term: **14 Years**

DESCRIPTION

[21] Appl. No.: **72,897**

FIG. 1 is a top plan view of a watch showing my new design, the broken line showings being environmental only and forming no part of the claimed design;

[22] Filed: **Jun. 4, 1997**

FIG. 2 is a right side elevational view depicted in FIG. 1;

[51] **LOC (6) Cl.** **10-02**

[52] **U.S. Cl.** **D10/39; D10/30**

FIG. 3 is a front elevational view depicted in FIG. 1;

[58] **Field of Search** D10/1-40, 122-132;
368/276-277, 285, 316-317

FIG. 4 is a left side elevational view depicted in FIG. 1;

[56] **References Cited**

FIG. 5 is a bottom plan view depicted in FIG. 1; and,

U.S. PATENT DOCUMENTS

FIG. 6 is a top plan view of my new design of FIGS. 1-5 in accordance with another embodiment of the instant invention, with broken lines showing environmental matter drawn for illustrative purposes only and forming no part of the claimed design.

D. 59,762 11/1921 McGrevy D10/32 X

D. 136,341 9/1943 Dupin D10/30

D. 315,689 3/1991 Pandel D10/39

OTHER PUBLICATIONS

Unison-Watch Manf. Ltd.—Cat.—p. 12—Sep. 25, 1995
watch at upper middle left.

Primary Examiner—Nelson C. Holtje

1 Claim, 2 Drawing Sheets

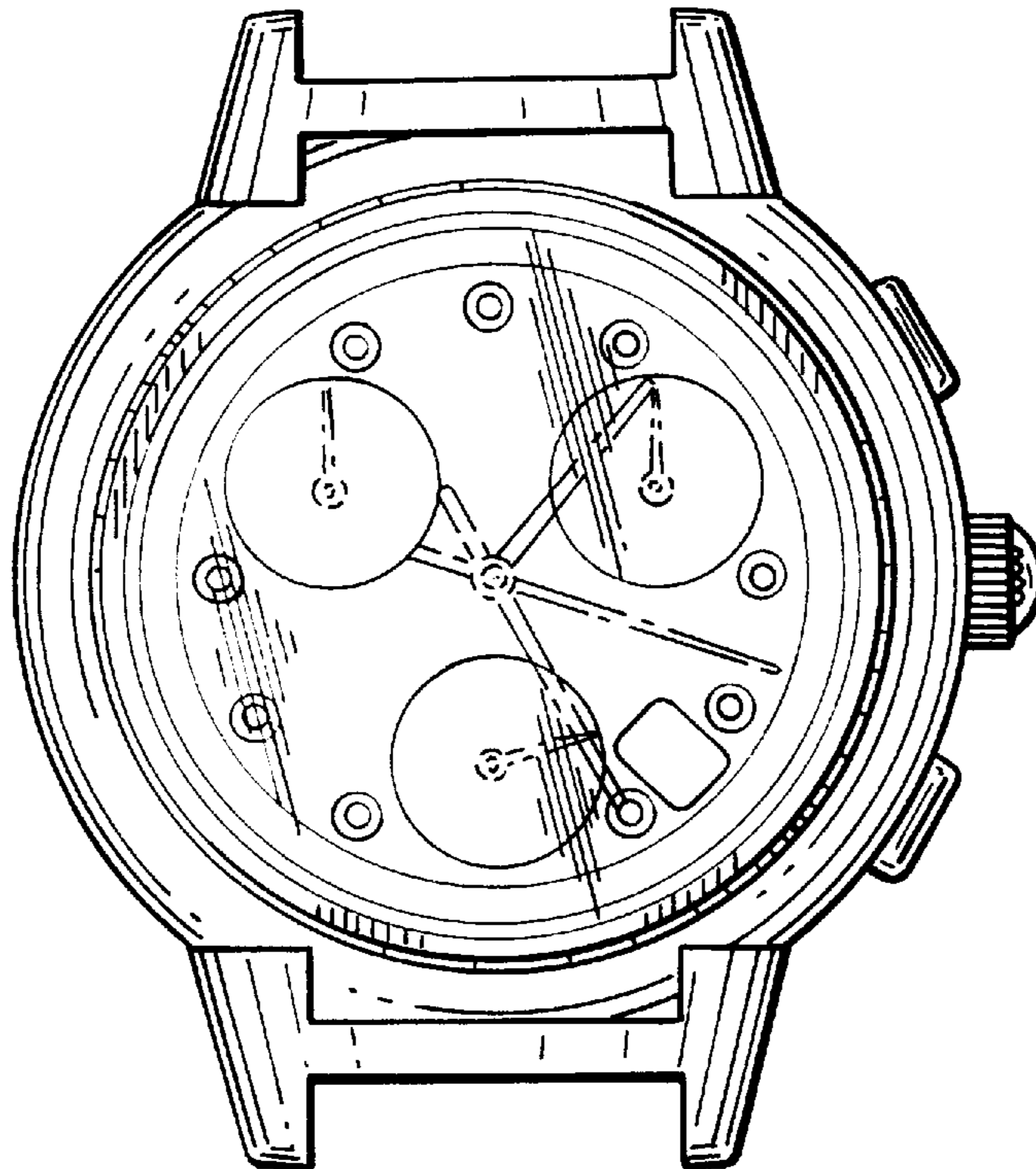


FIG. 1

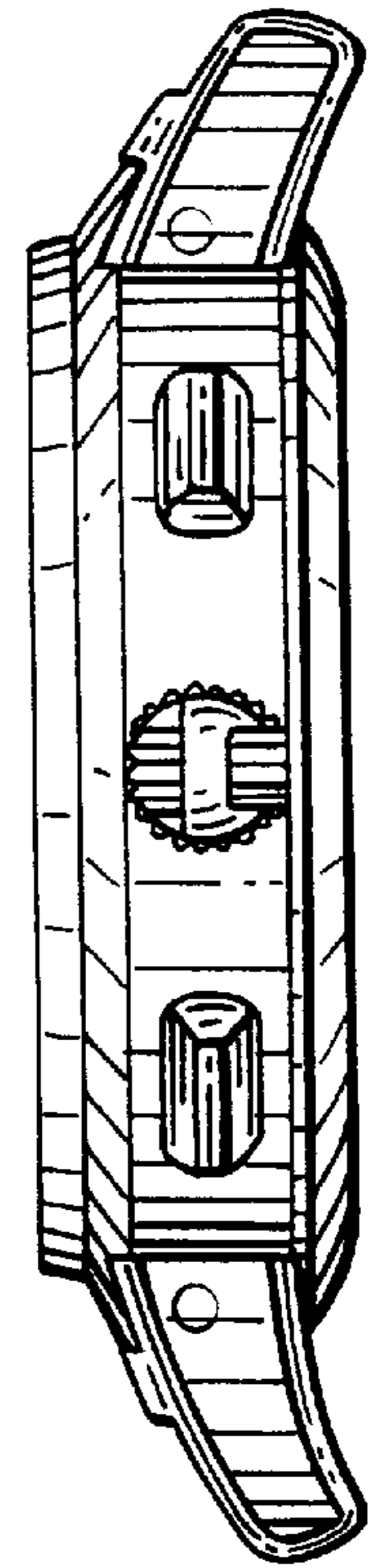
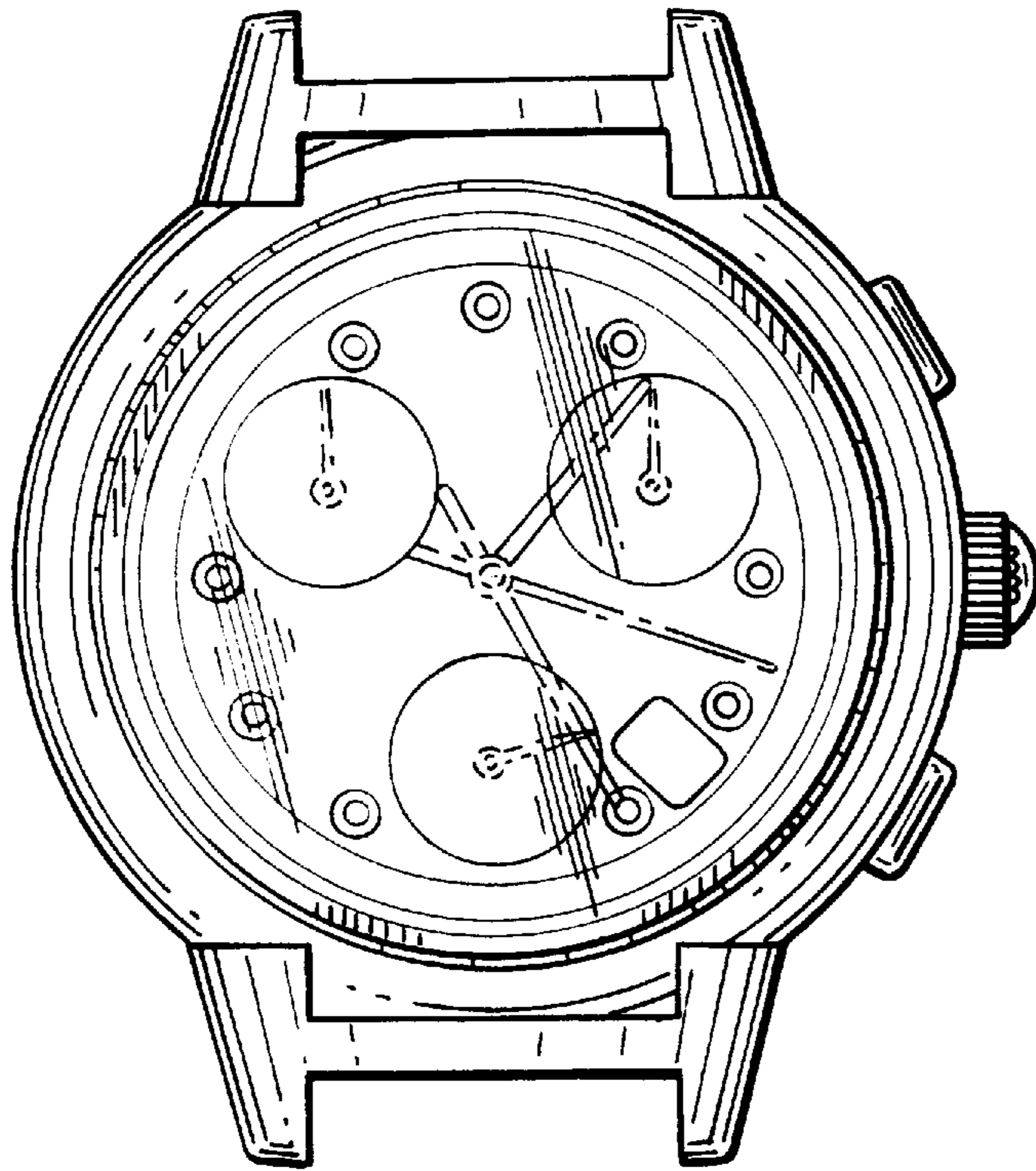


FIG. 2

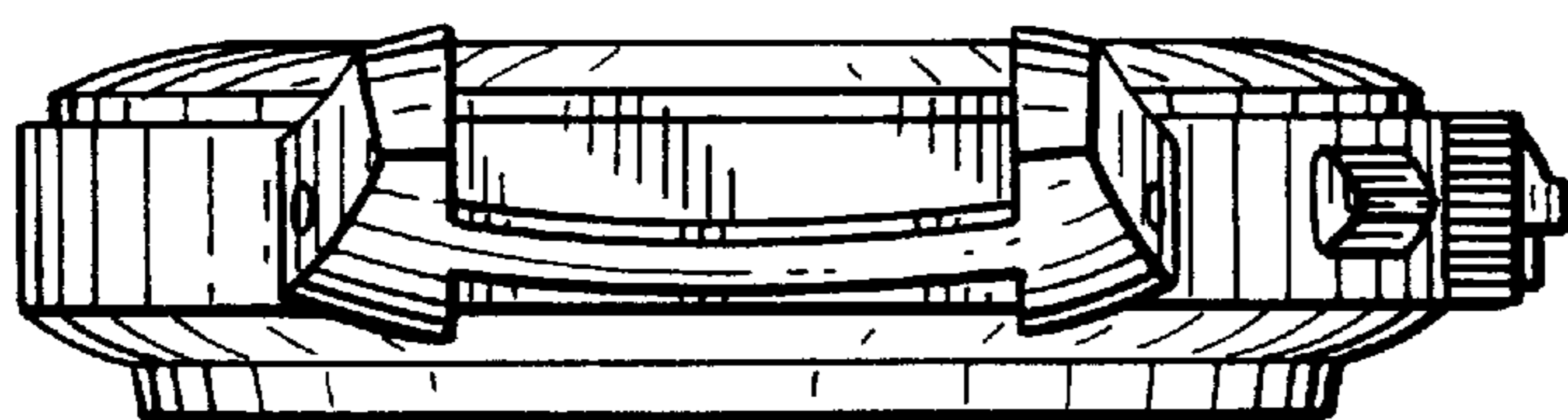


FIG. 3

FIG. 4

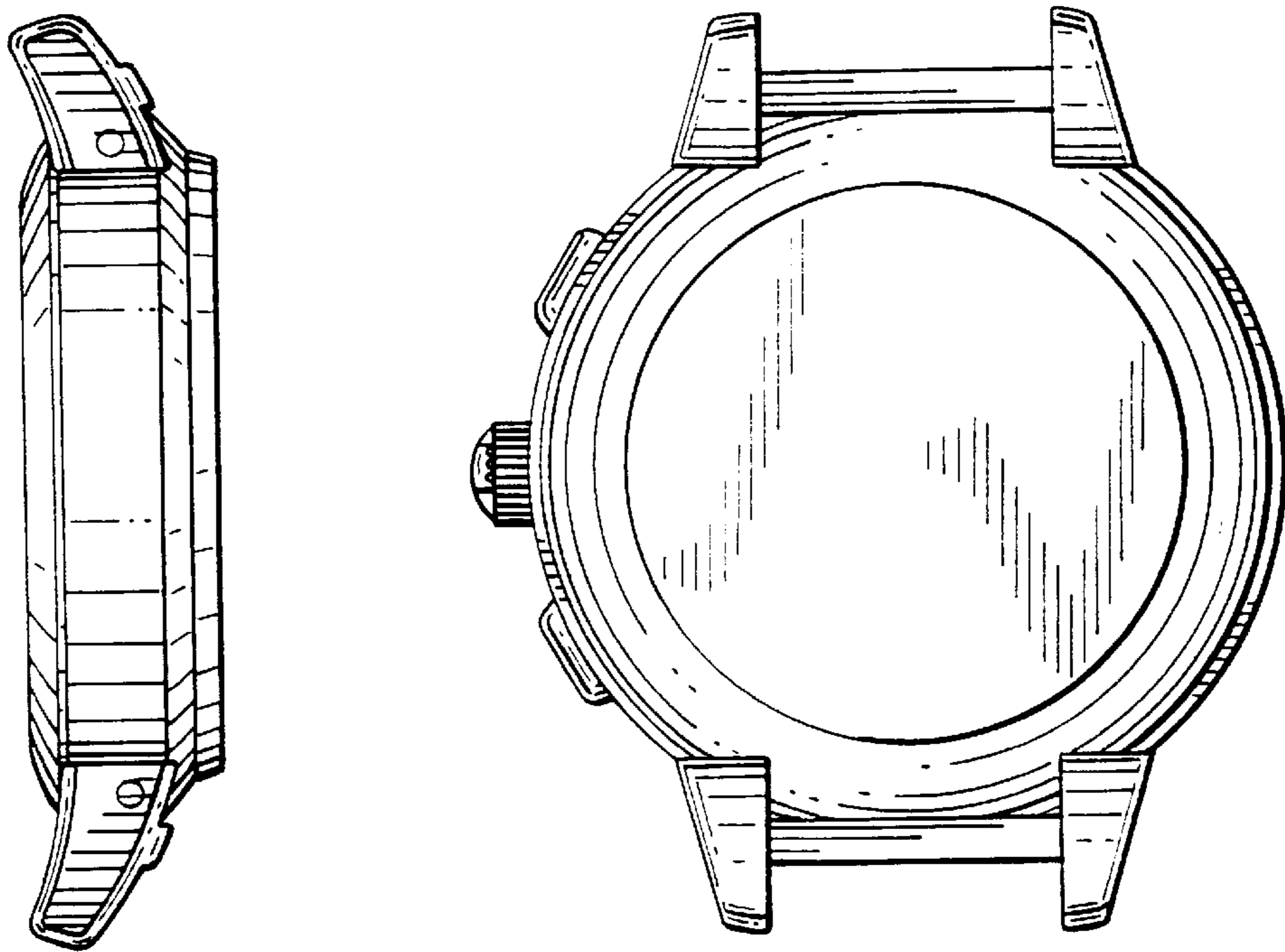


FIG. 5

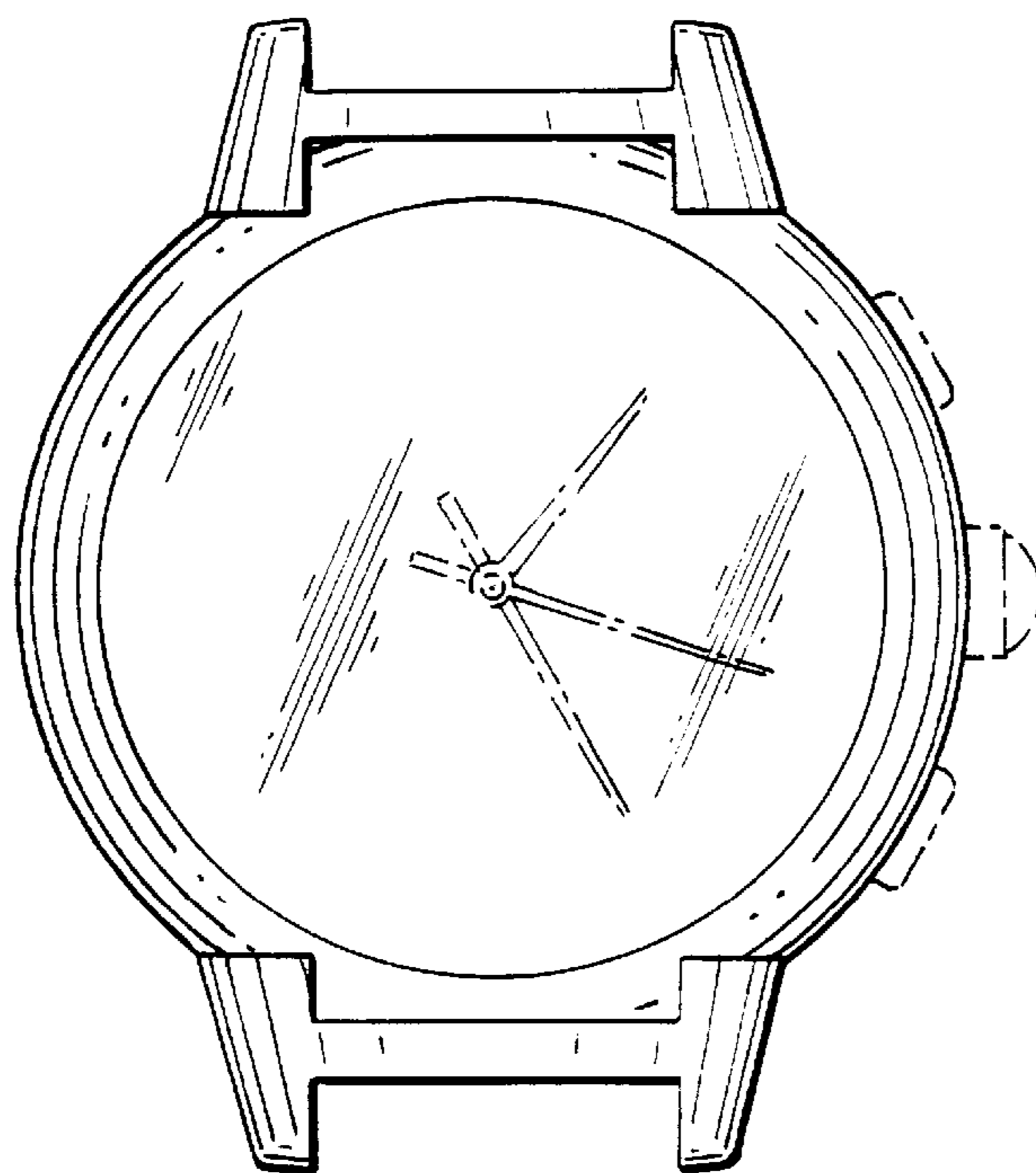


FIG. 6