



US00D405366S

# United States Patent [19]

[11] **Patent Number: Des. 405,366**

**Herbruck**

[45] **Date of Patent: \*\*Feb. 9, 1999**

[54] **EGG CARTON FOR EGGS AND OTHER INGREDIENTS**

[75] Inventor: **Stephen H. Herbruck**, Saranac, Mich.

[73] Assignee: **Herbruck's Poultry Ranch**, Saranac, Mich.

[\*\*] Term: **14 Years**

[21] Appl. No.: **89,326**

[22] Filed: **Jun. 12, 1998**

[51] **LOC (6) Cl. .... 09-03**

[52] **U.S. Cl. .... D9/341**

[58] **Field of Search** ..... D9/341, 345, 347, D9/348; 206/521, 521.1, 521.15, 521.7, 521.8; 220/508

[56] **References Cited**

**U.S. PATENT DOCUMENTS**

|            |         |                 |       |           |
|------------|---------|-----------------|-------|-----------|
| D. 165,856 | 2/1952  | Mytinger        | ..... | D58/13    |
| D. 222,828 | 1/1972  | Giraudet et al. | ..... | D9/341    |
| D. 240,712 | 7/1976  | Moller          | ..... | D9/341    |
| D. 262,355 | 12/1981 | Oakley          | ..... | D9/345    |
| D. 306,263 | 2/1990  | Kerr et al.     | ..... | D9/428    |
| D. 349,456 | 8/1994  | Wilson          | ..... | D9/347    |
| D. 363,021 | 10/1995 | Lombard         | ..... | D9/415    |
| 2,569,681  | 10/1951 | Lennon          | ..... | 206/521.8 |
| 2,668,652  | 2/1954  | Russell         | ..... | 206/521.1 |
| 2,843,304  | 7/1958  | Reifers         | ..... | 206/521.1 |
| 2,909,304  | 10/1959 | Powell          | ..... | 222/130   |
| 3,131,846  | 5/1964  | Whiteford       | ..... | 229/2.5   |
| 3,430,838  | 3/1969  | Bessett         | ..... | 206/521.8 |
| 3,531,044  | 9/1970  | Baker           | ..... | 229/44    |
| 3,547,658  | 12/1970 | Melnick         | ..... | 99/113    |
| 3,569,914  | 3/1971  | Ahlmeyer        | ..... | 229/44    |
| 3,655,110  | 4/1972  | Eisenbach       | ..... | 229/2.5   |
| 3,779,370  | 12/1973 | Snow et al.     | ..... | 206/45.31 |

|           |         |                  |       |          |
|-----------|---------|------------------|-------|----------|
| 3,905,506 | 9/1975  | Florian          | ..... | 220/23.8 |
| 4,693,205 | 9/1987  | Thill            | ..... | 118/13   |
| 4,899,881 | 2/1990  | Girard et al.    | ..... | 206/457  |
| 5,308,630 | 5/1994  | Nordahl          | ..... | 426/270  |
| 5,312,634 | 5/1994  | Griesbach et al. | ..... | 426/106  |
| 5,674,546 | 10/1997 | Barnes et al.    | ..... | 426/120  |

**FOREIGN PATENT DOCUMENTS**

|         |         |         |   |
|---------|---------|---------|---|
| 2580602 | 4/1985  | France  | . |
| 2623781 | 11/1987 | France  | . |
| 3324462 | 7/1983  | Germany | . |
| 3512022 | 4/1985  | Germany | . |

*Primary Examiner*—Ted Shooman  
*Assistant Examiner*—Nanda Bondade  
*Attorney, Agent, or Firm*—Price, Heneveld, Cooper, DeWitt & Litton

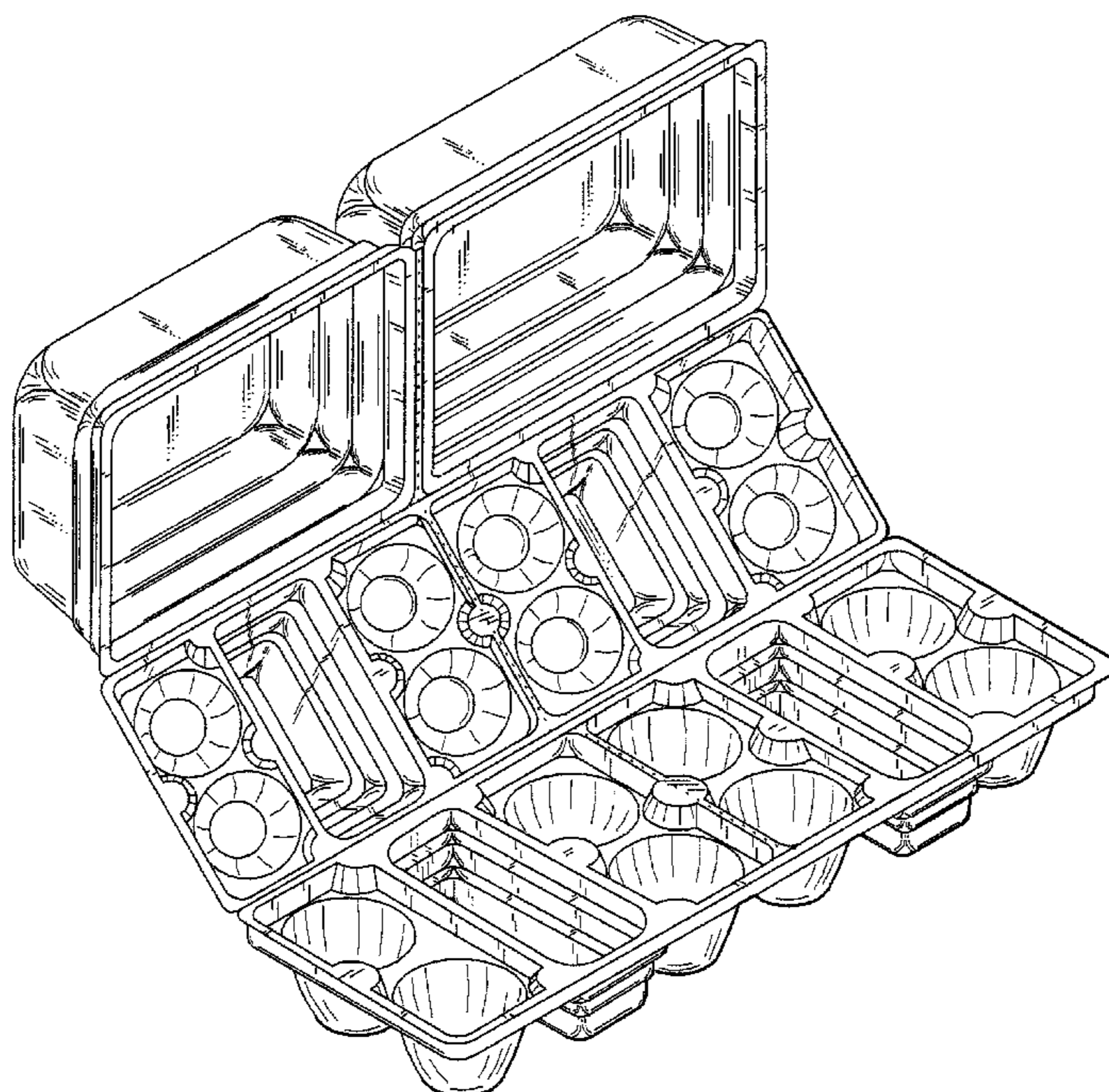
[57] **CLAIM**

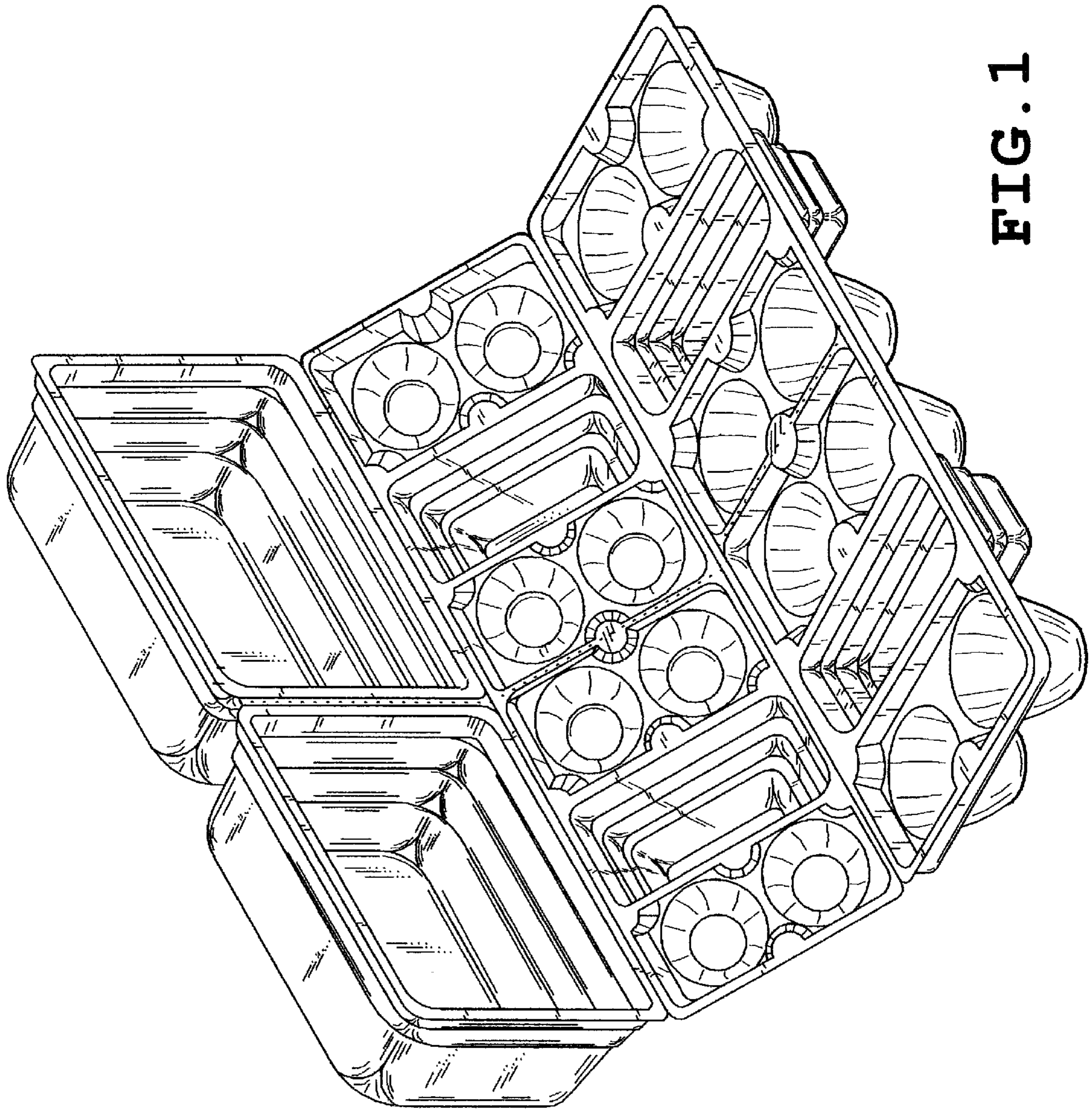
The ornamental design for an egg carton for eggs and other ingredients, as shown and described.

**DESCRIPTION**

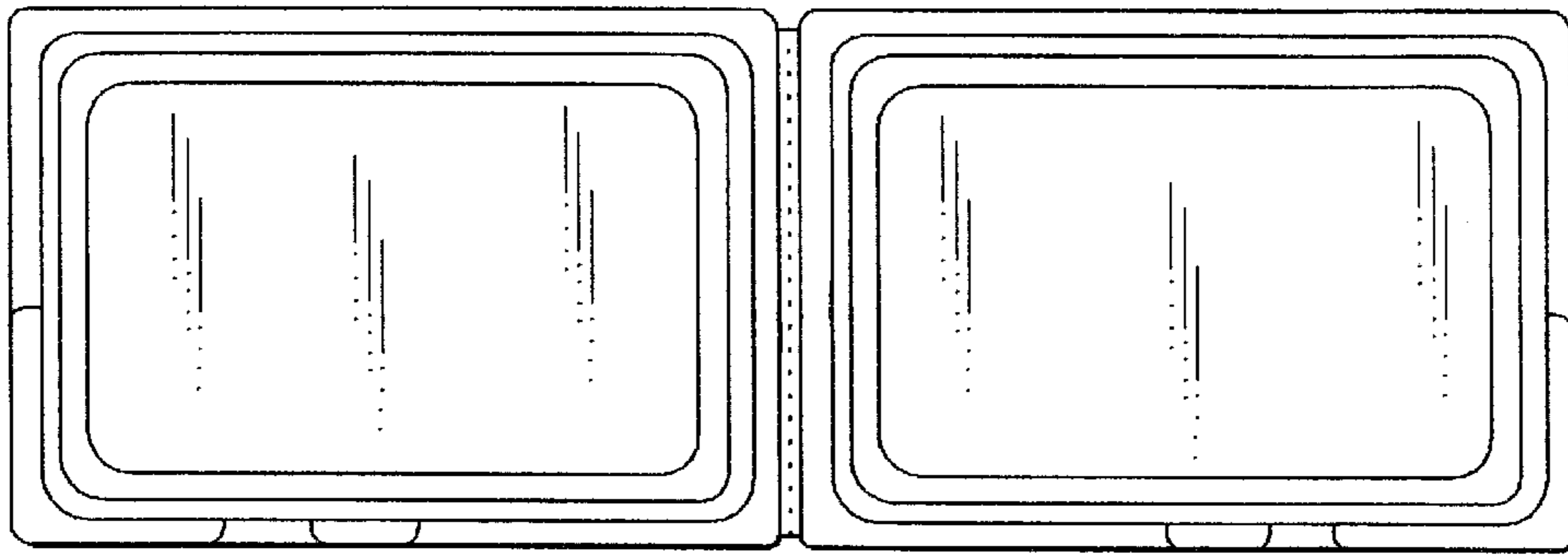
FIG. 1 is a perspective view of an egg carton for eggs and other ingredients showing my new design; FIG. 2 is a top plan view thereof; FIG. 3 is a front side elevational view thereof; FIG. 4 is a rear side elevational view thereof; FIG. 5 is a bottom plan view thereof; FIG. 6 is one end elevational view thereof; FIG. 7 is the other end elevational view thereof; FIG. 8 is an end elevational view thereof, with the cover opened, the opposite end being a mirror image; and, FIG. 9 is an end elevational view thereof, with the top and cover opened, the opposite end being a mirror image. The undisclosed top view of FIG. 8 forms no part of the claimed design.

**1 Claim, 3 Drawing Sheets**

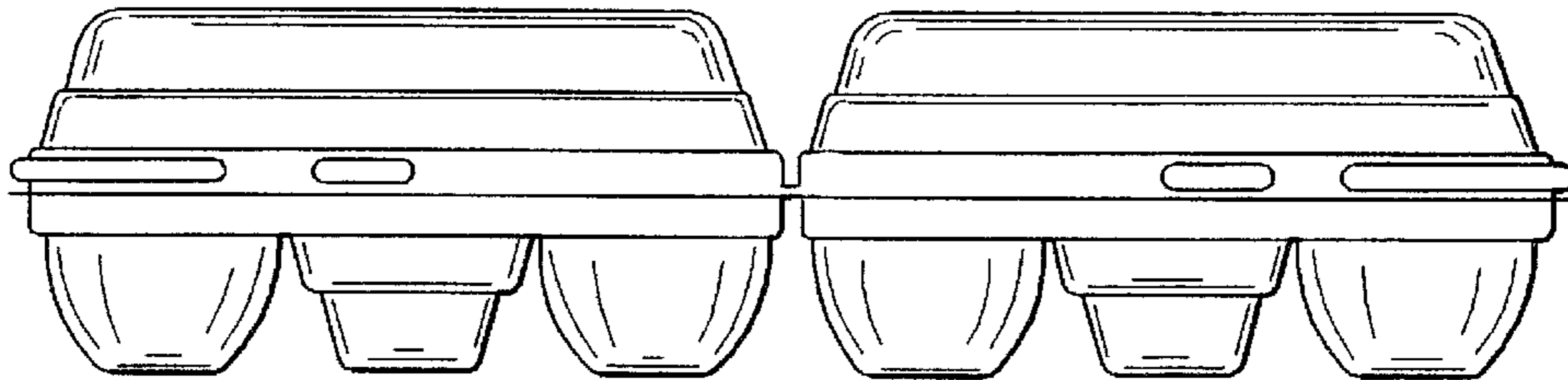




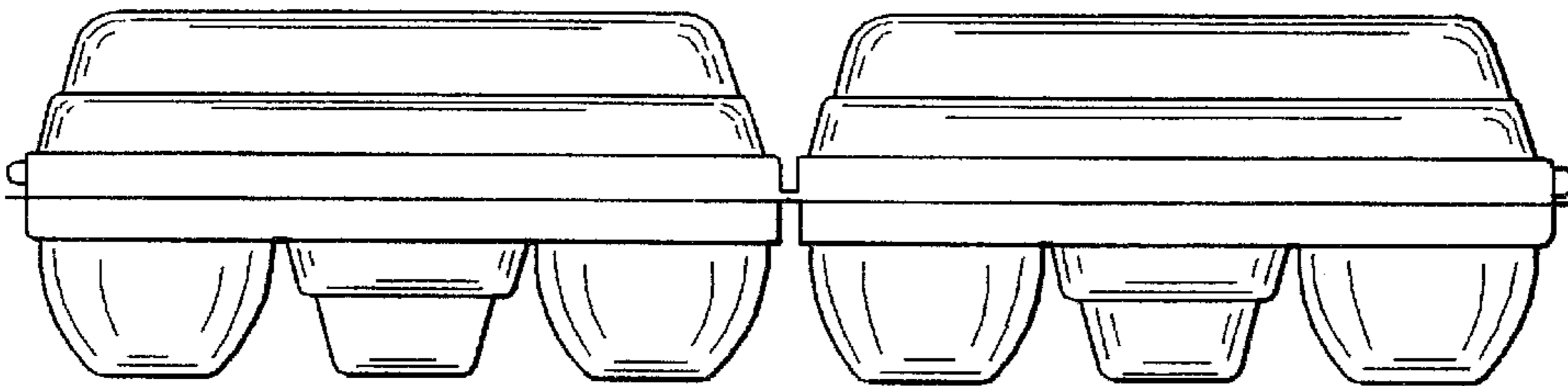
**FIG. 1**



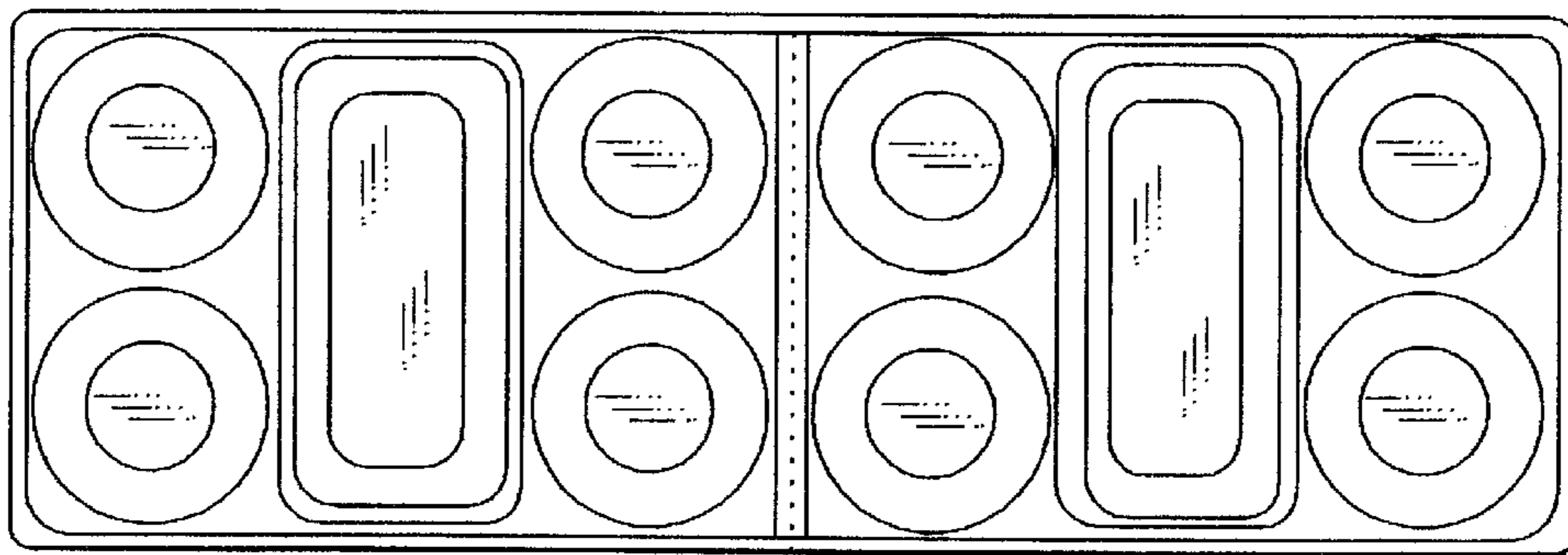
**FIG. 2**



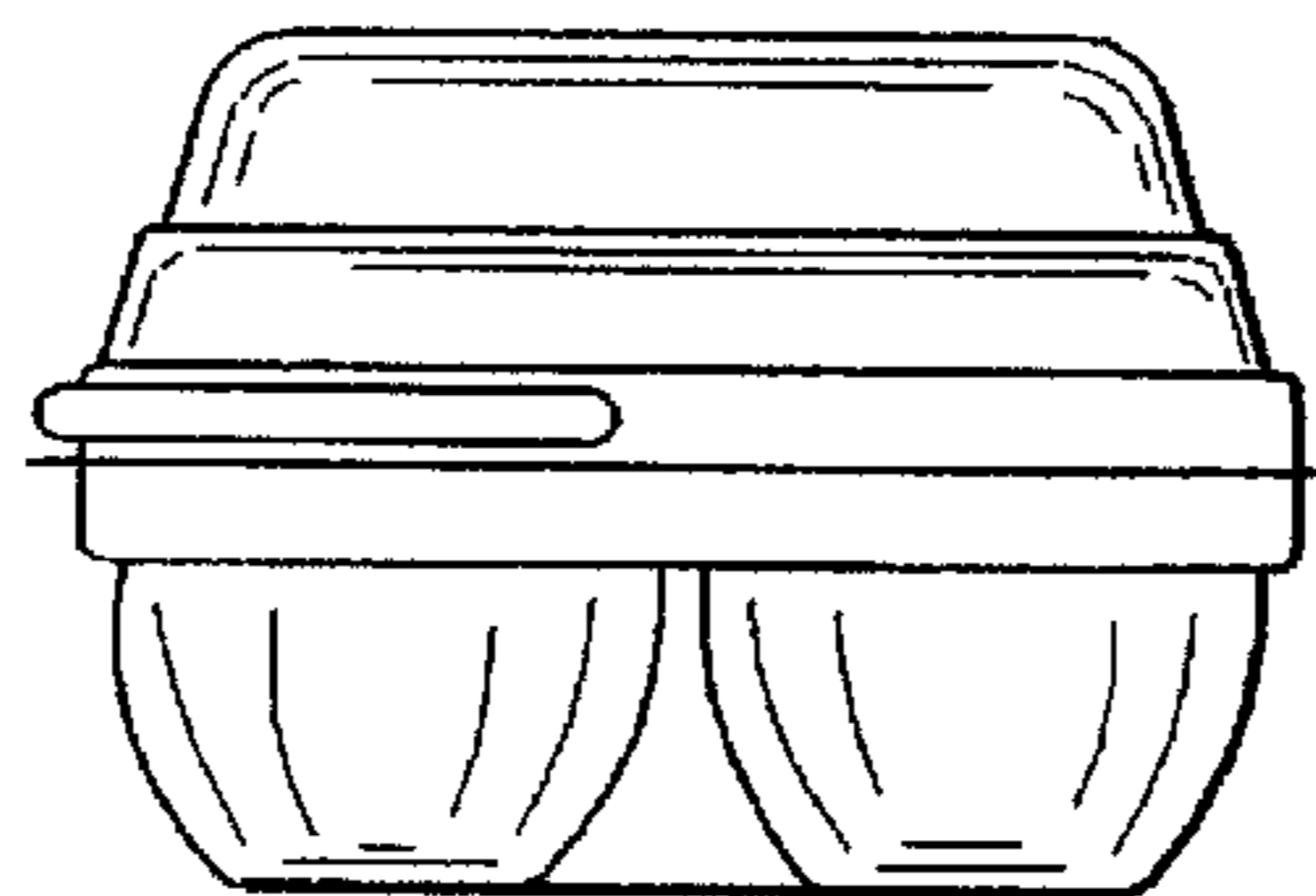
**FIG. 3**



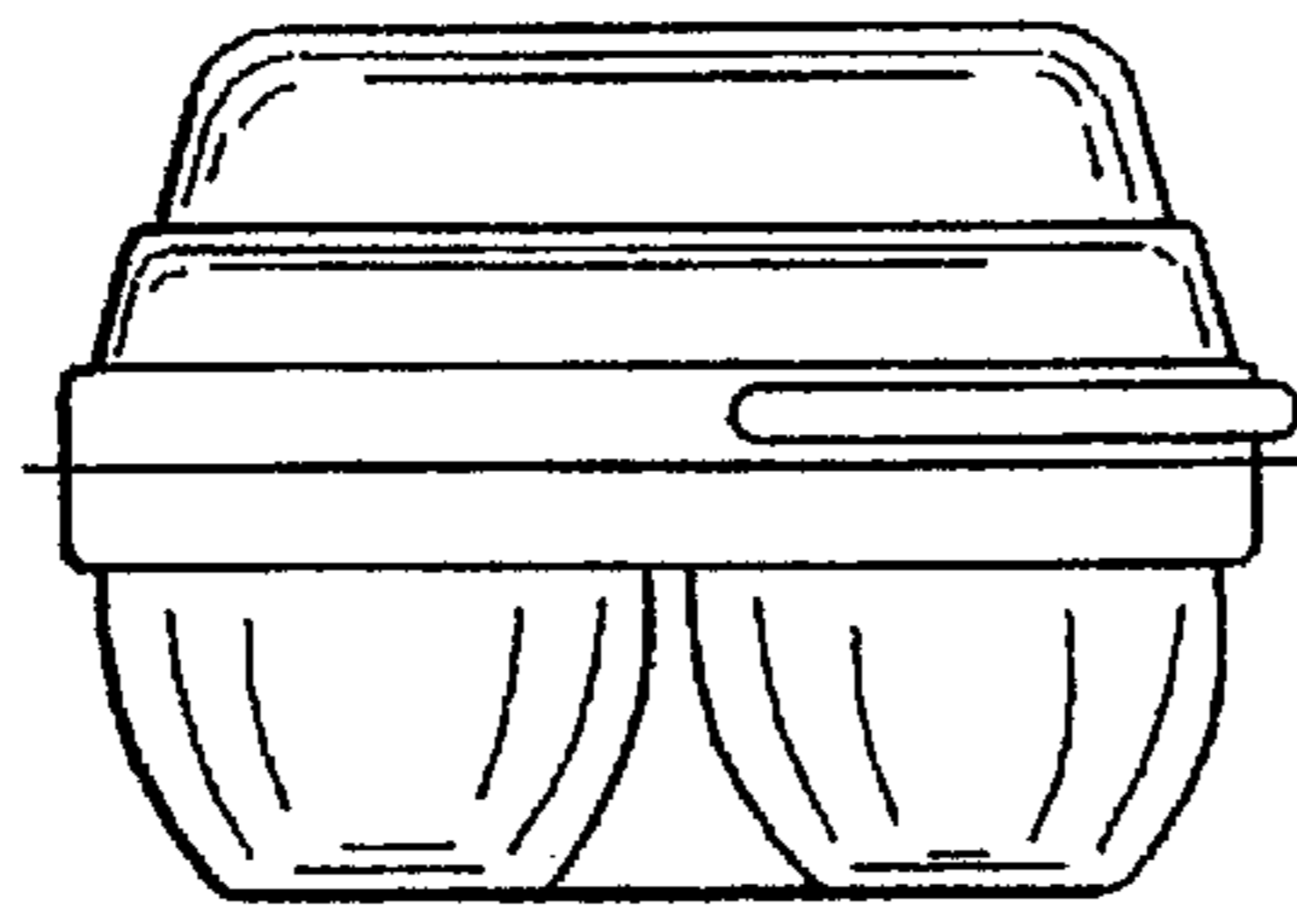
**FIG. 4**



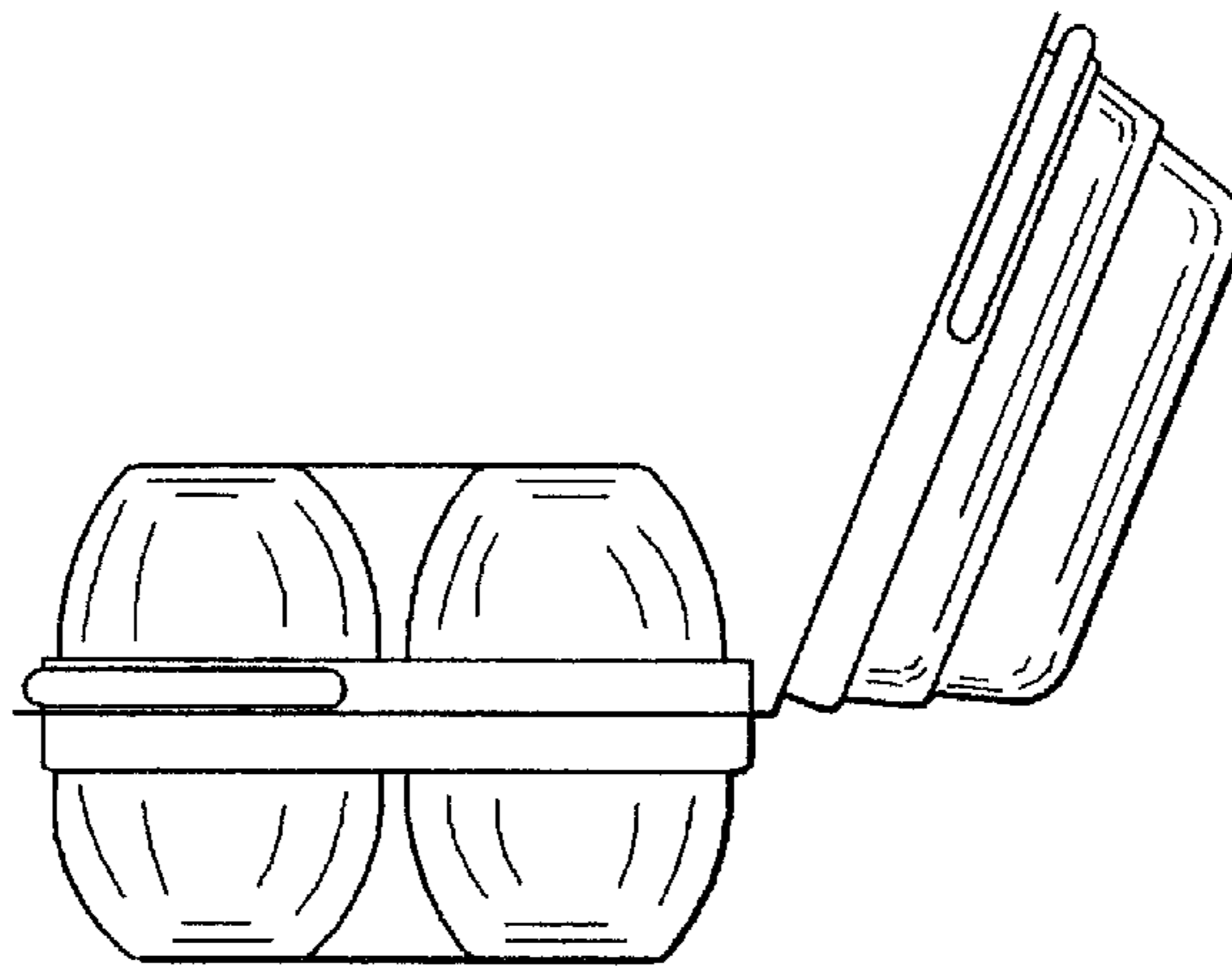
**FIG. 5**



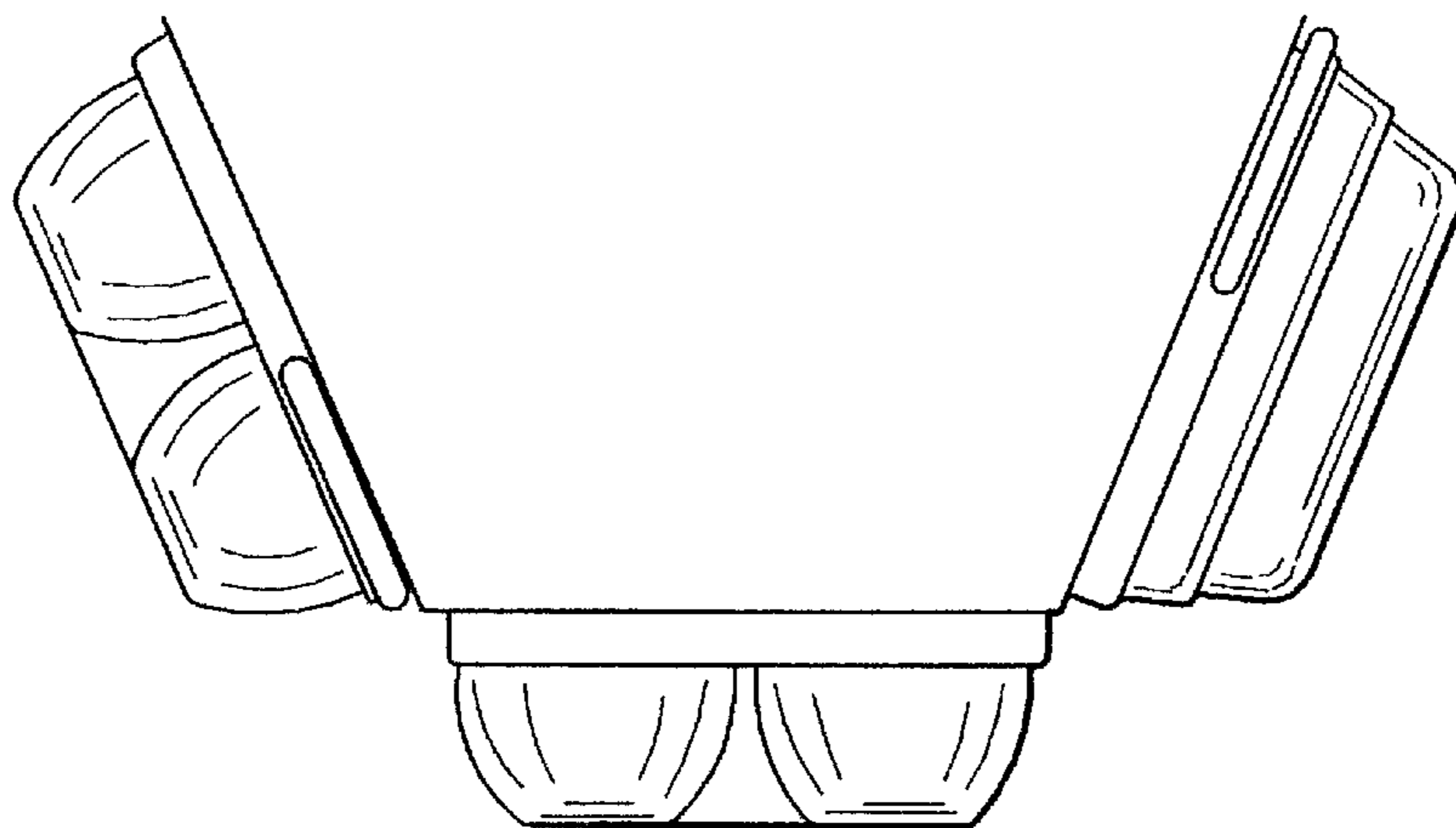
**FIG. 6**



**FIG. 7**



**FIG. 8**



**FIG. 9**