



US00D405350S

United States Patent [19]
Yamada

[11] **Patent Number: Des. 405,350**
[45] **Date of Patent: **Feb. 9, 1999**

[54] **HANGING BRACKET FOR A PICTURE FRAME**

5,269,487 12/1993 Heitzman 248/491

[76] Inventor: **Hiroshi Yamada**, 5i-3, 4-chome,
Yamaga-cho, Yao-shi, Osaka, Japan

Primary Examiner—Holly Baynham
Attorney, Agent, or Firm—Moonray Kojima

[**] Term: **14 Years**

[57] **CLAIM**

The ornamental design for a hanging bracket for a picture frame, as shown and described.

[21] Appl. No.: **80,081**

[22] Filed: **Nov. 24, 1997**

DESCRIPTION

[51] **LOC (6) Cl.** **08-05**

[52] **U.S. Cl.** **D8/373**

[58] **Field of Search** D8/349, 354, 373;
248/496-497, 489, 475.1, 491

FIG. 1 is a perspective view of a hanging bracket for a picture frame;
FIG. 2 is a top plan view thereof;
FIG. 3 is a bottom plan view thereof;
FIG. 4 is a left side elevational view thereof;
FIG. 5 is a front elevational view thereof;
FIG. 6 is a cross sectional view thereof. taken along 6—6 of FIG. 2; and,
FIG. 7 is a cross sectional view thereof taken along 7—7 of FIG. 2.

[56] **References Cited**

U.S. PATENT DOCUMENTS

D. 341,538	11/1993	Paul	D8/373
894,817	8/1908	Copeland	248/496
1,147,863	7/1915	Hickerson et al.	248/489
4,641,441	2/1987	Roth	248/496

1 Claim, 2 Drawing Sheets

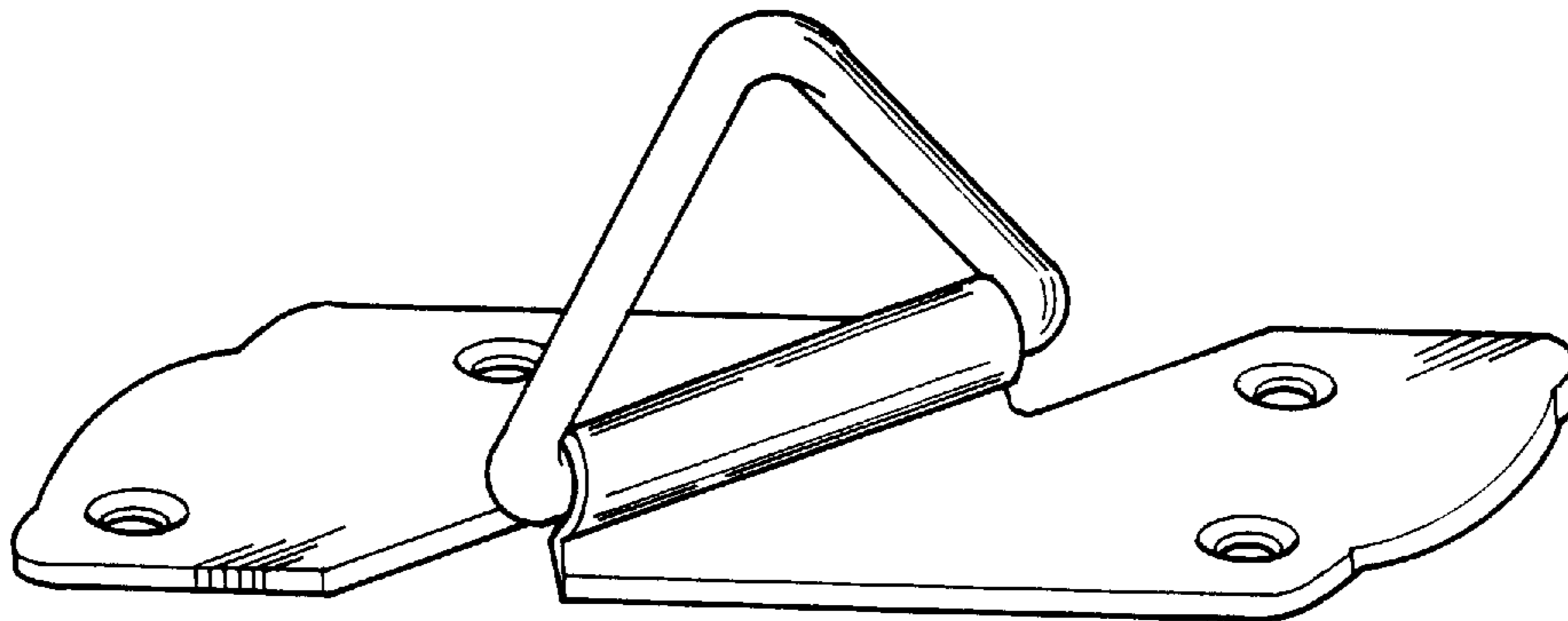


FIG. 1

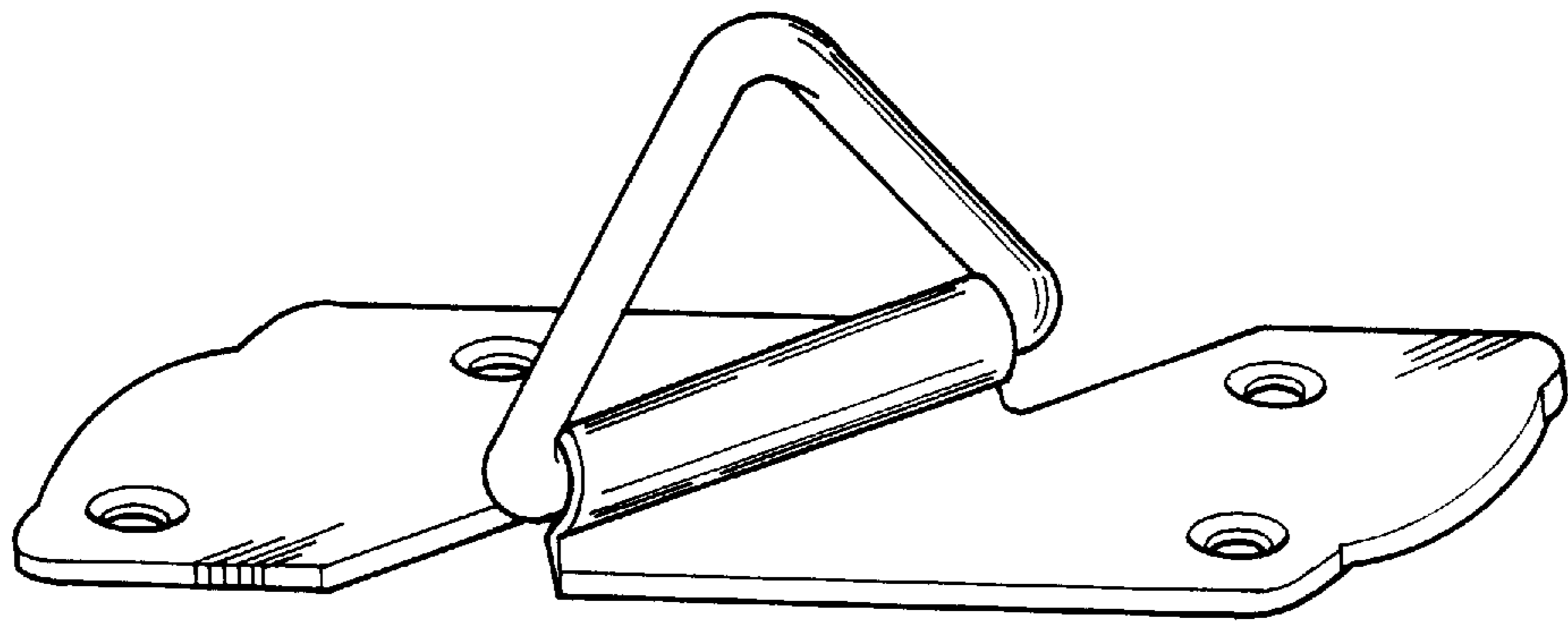


FIG. 5

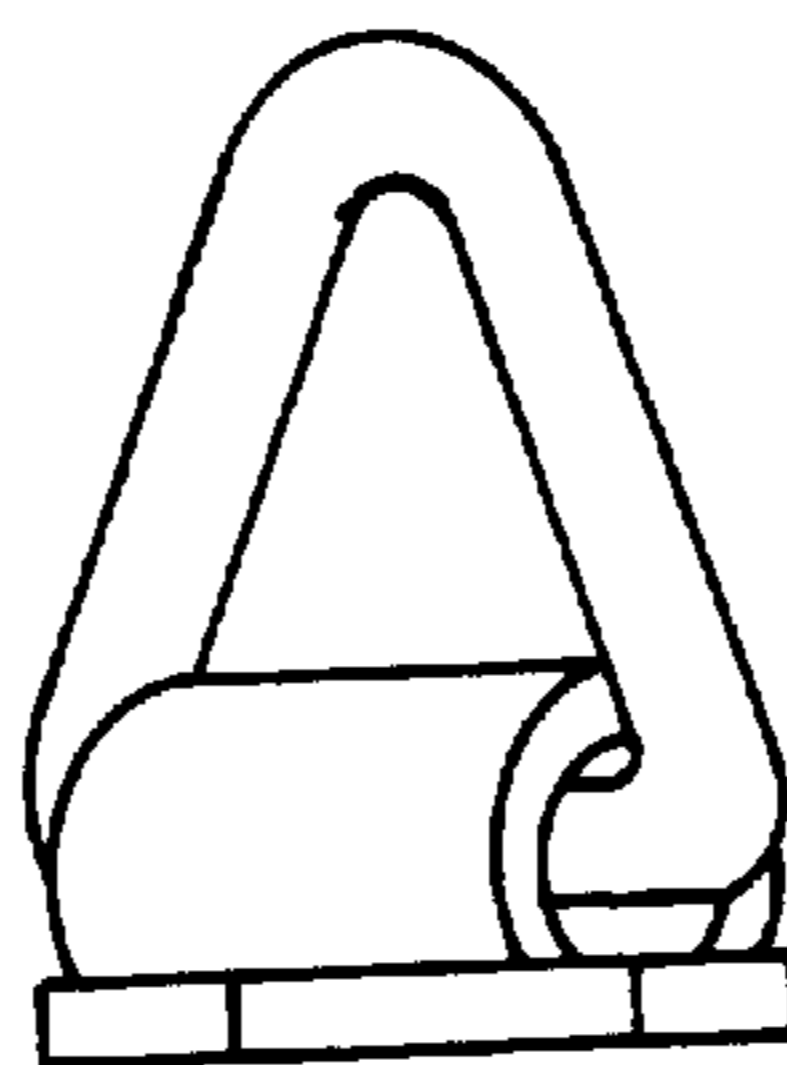


FIG. 2

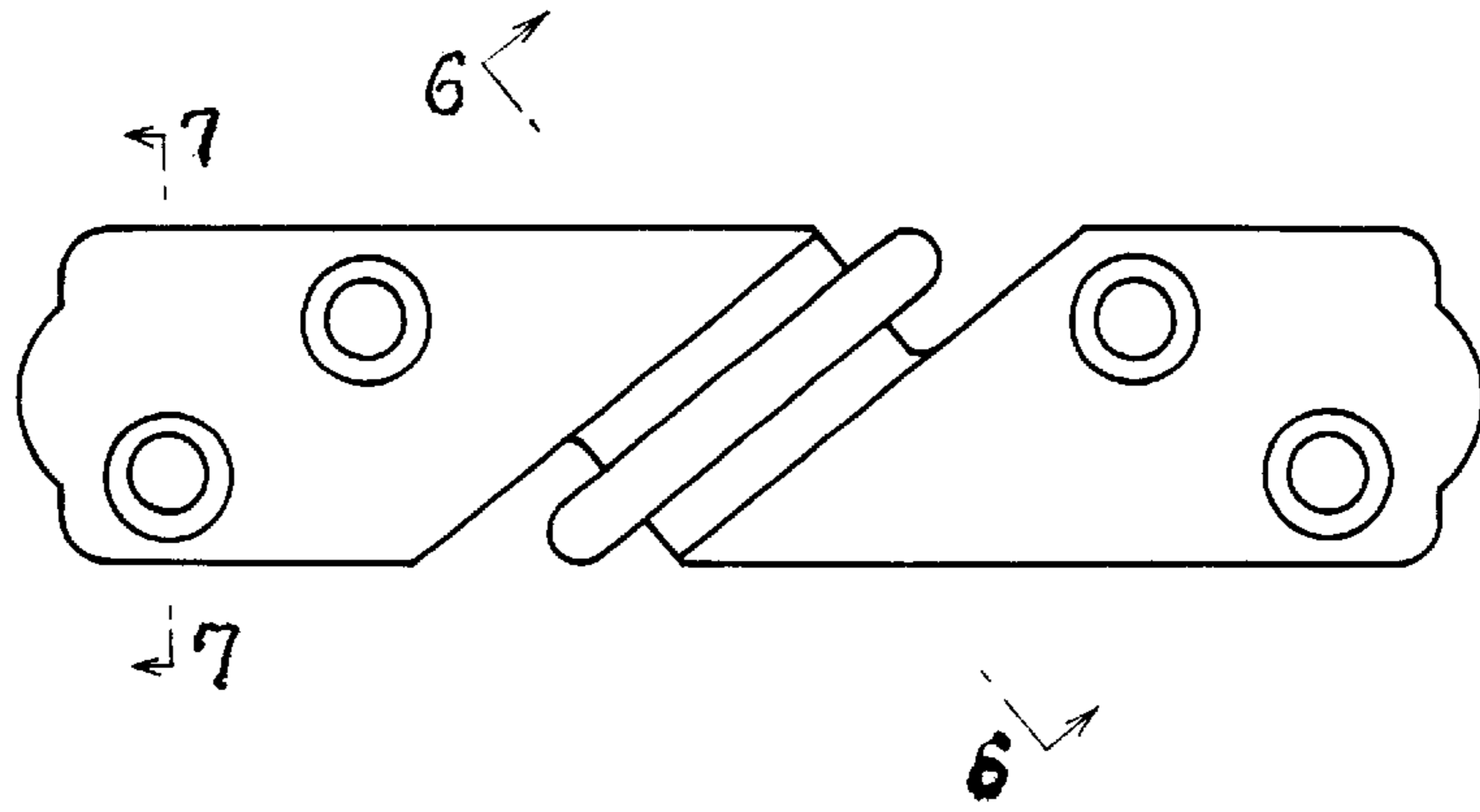


FIG. 3

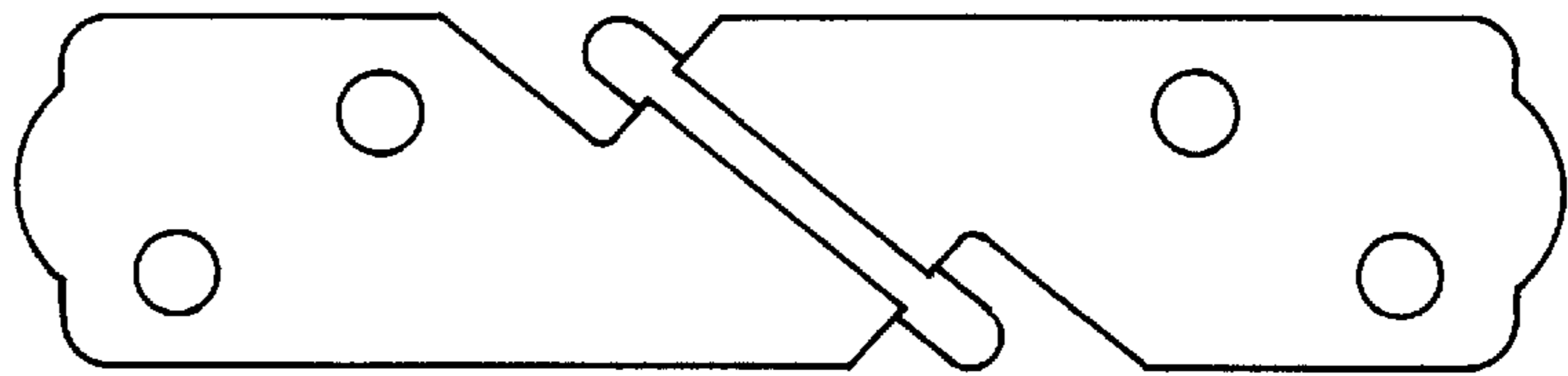


FIG. 4

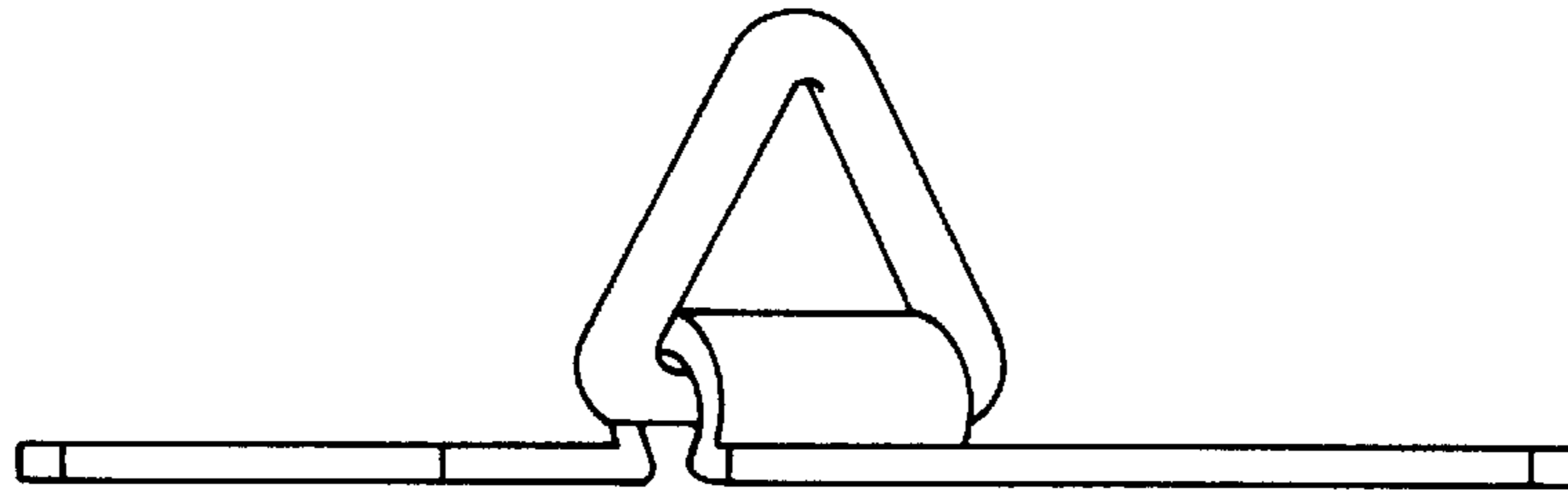


FIG. 6

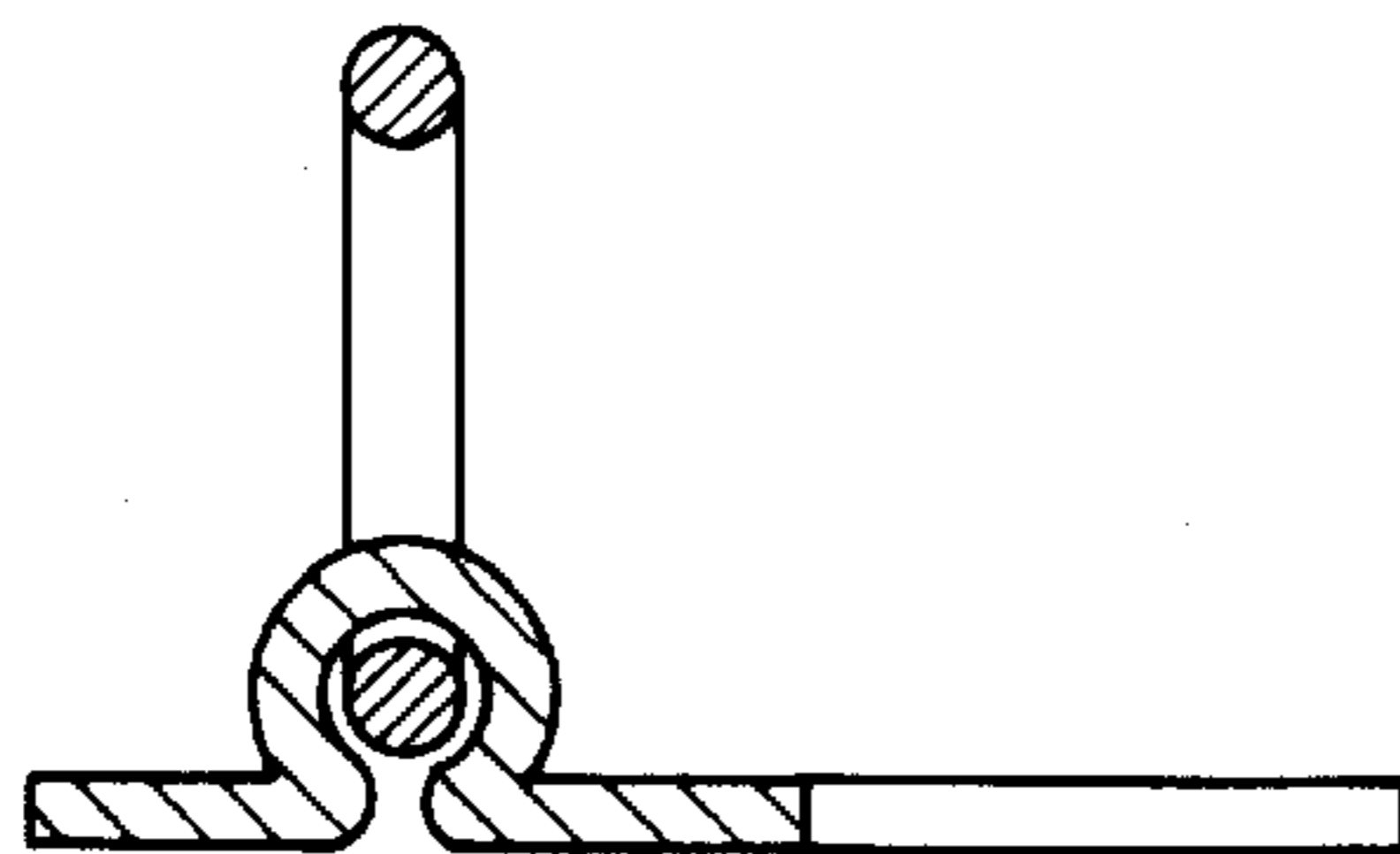


FIG. 7

