



US00D405349S

United States Patent [19] Orth

[11] **Patent Number:** **Des. 405,349**

[45] **Date of Patent:** ****Feb. 9, 1999**

[54] **REBAR CAP**

D. 376,815 12/1996 Vermillion D8/354

[76] Inventor: **Dennis E. Orth**, 13535 Fairway Loop
South, Goodyear, Ariz. 85338

Primary Examiner—Holly Baynham
Attorney, Agent, or Firm—Warren F. B. Lindsley

[**] Term: **14 Years**

[57] **CLAIM**

[21] Appl. No.: **82,049**

The ornamental design for a rebar cap, as shown and described.

[22] Filed: **Jan. 13, 1998**

DESCRIPTION

[51] **LOC (6) Cl.** **08-05**

[52] **U.S. Cl.** **D8/354**

[58] **Field of Search** D8/354, 349; 52/301;
138/96 R; D25/135

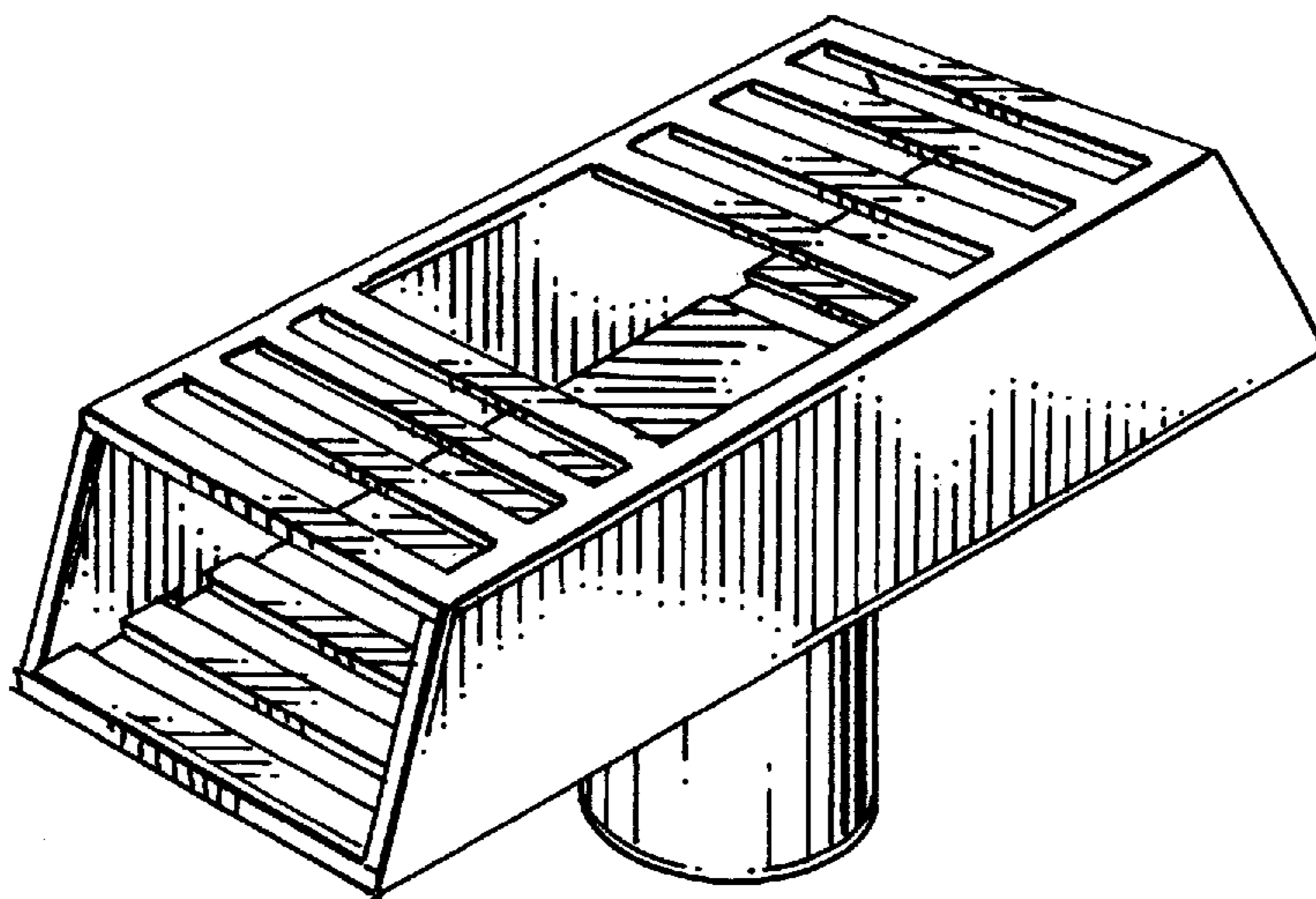
FIG. 1 is a perspective view of the top, front and left side view of a rebar cap and embodying the invention;
FIG. 2 is a right end view of FIG. 1 with the left end view being a mirror image thereof;
FIG. 3 is a bottom plan view of FIG. 1;
FIG. 4 is a top plan view of FIG. 1; and,
FIG. 5 is a rear elevation view of FIG. 1 with the front view being a mirror image thereof.

[56] **References Cited**

U.S. PATENT DOCUMENTS

- D. 363,657 10/1995 Kassardjian et al. D8/354
- D. 364,334 11/1995 Sandstrom et al. D8/354

1 Claim, 1 Drawing Sheet



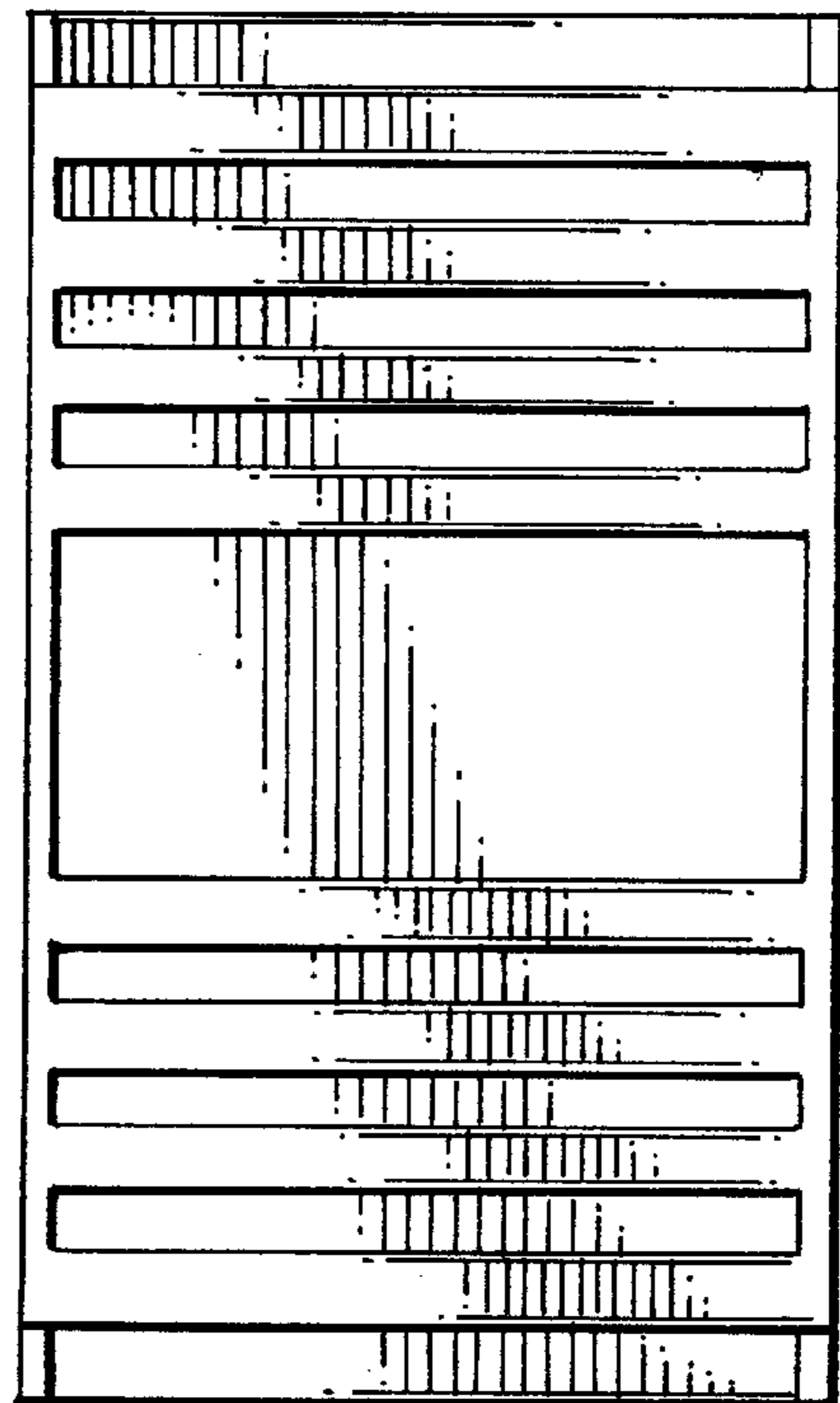
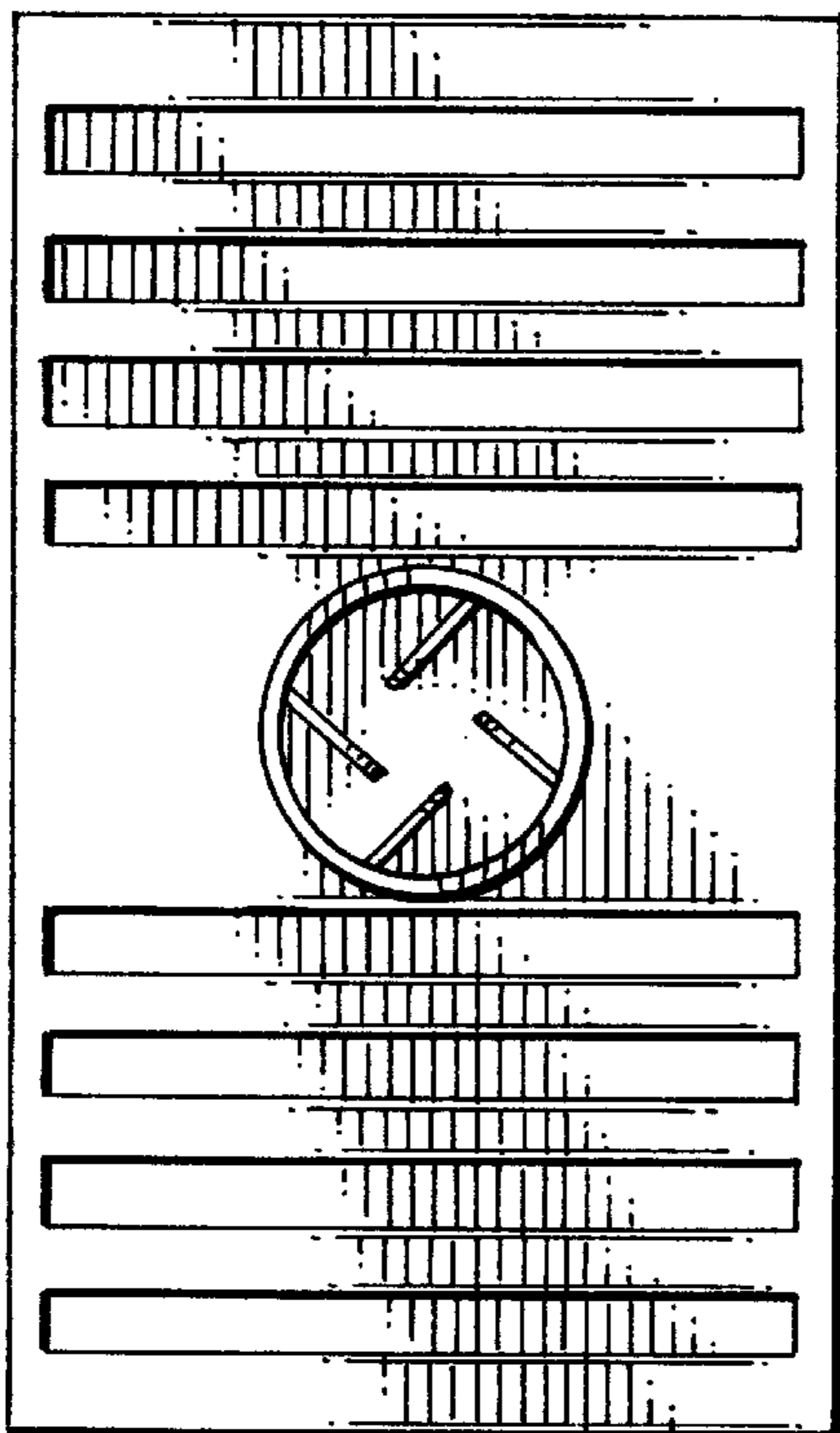
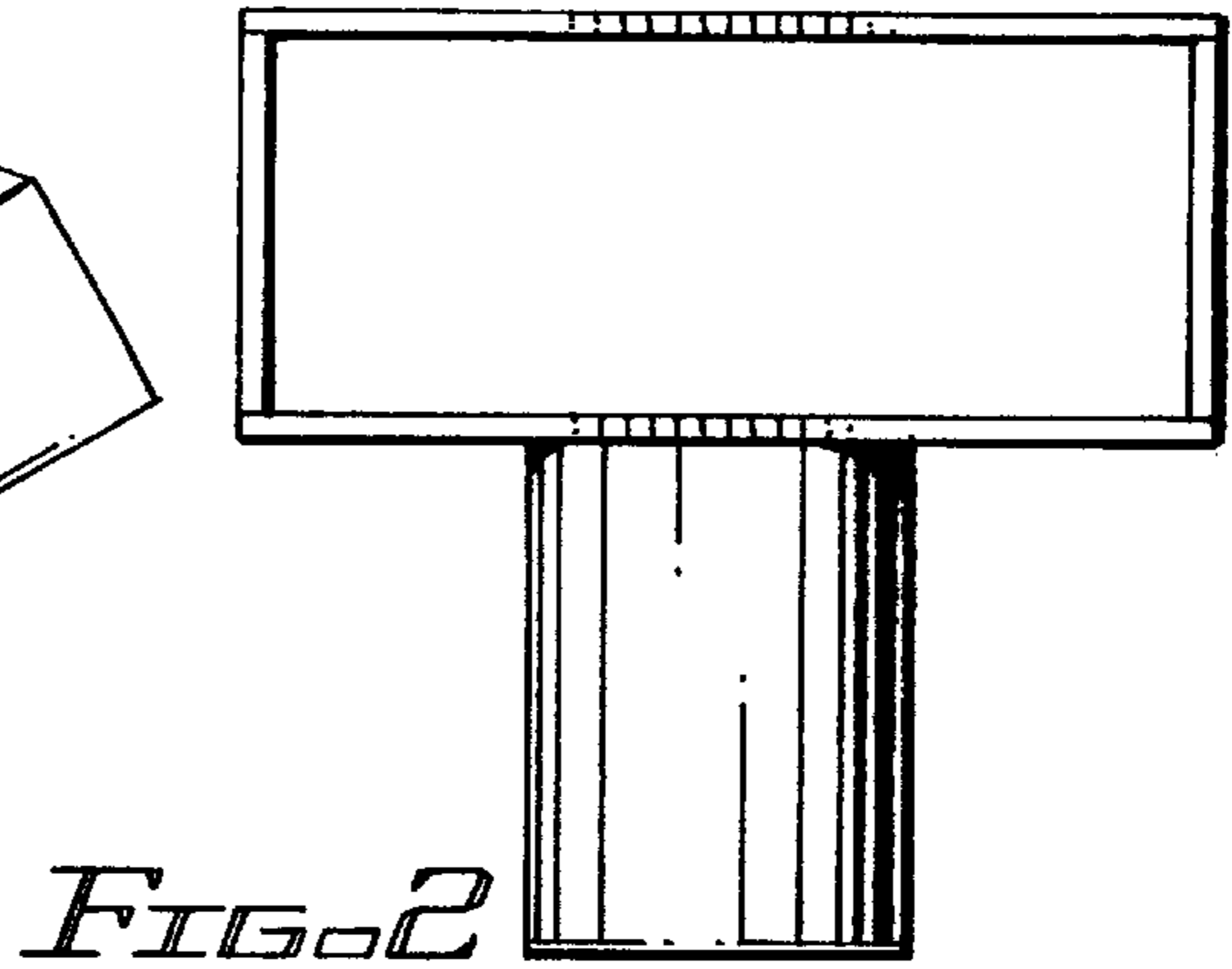
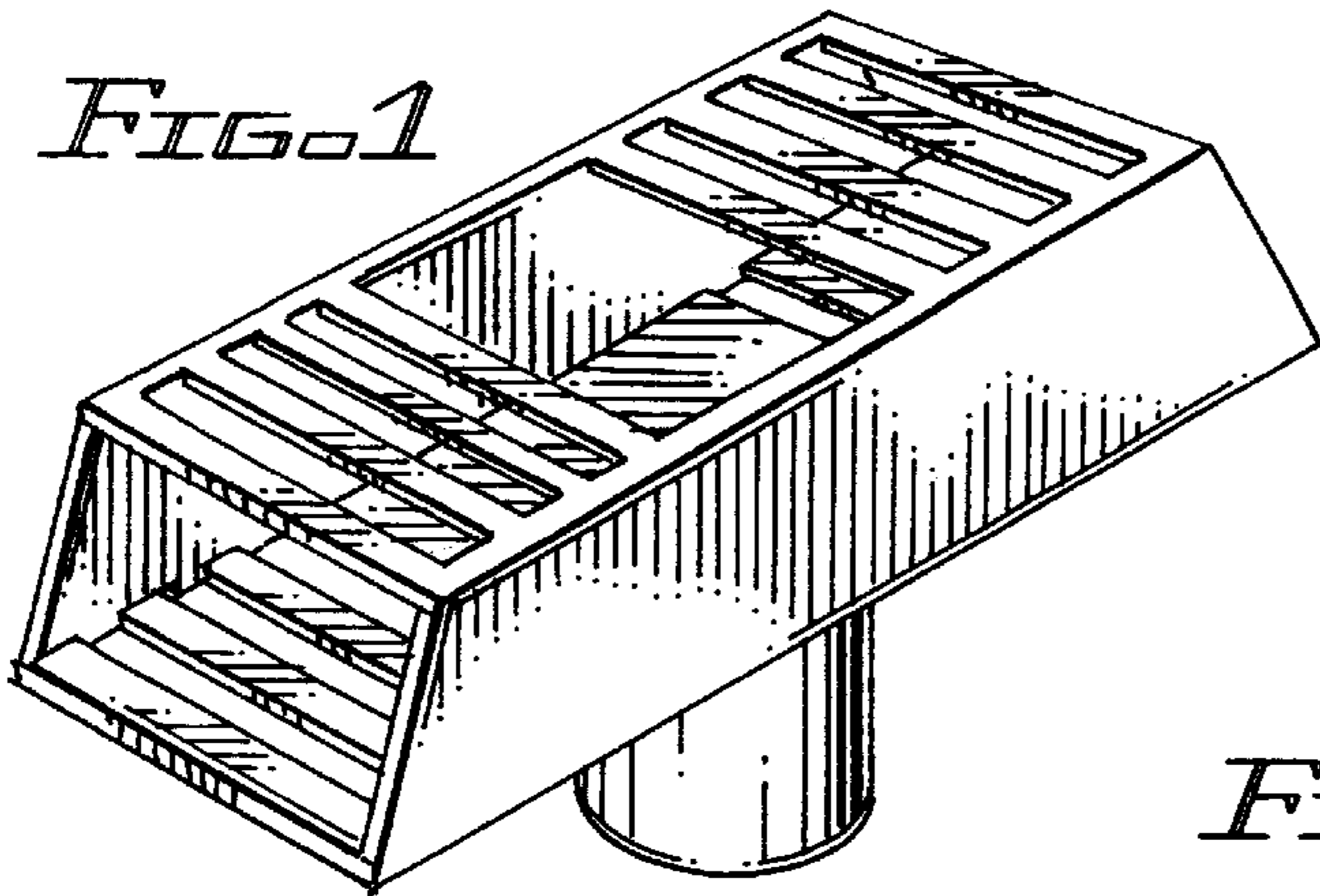


FIG. 3

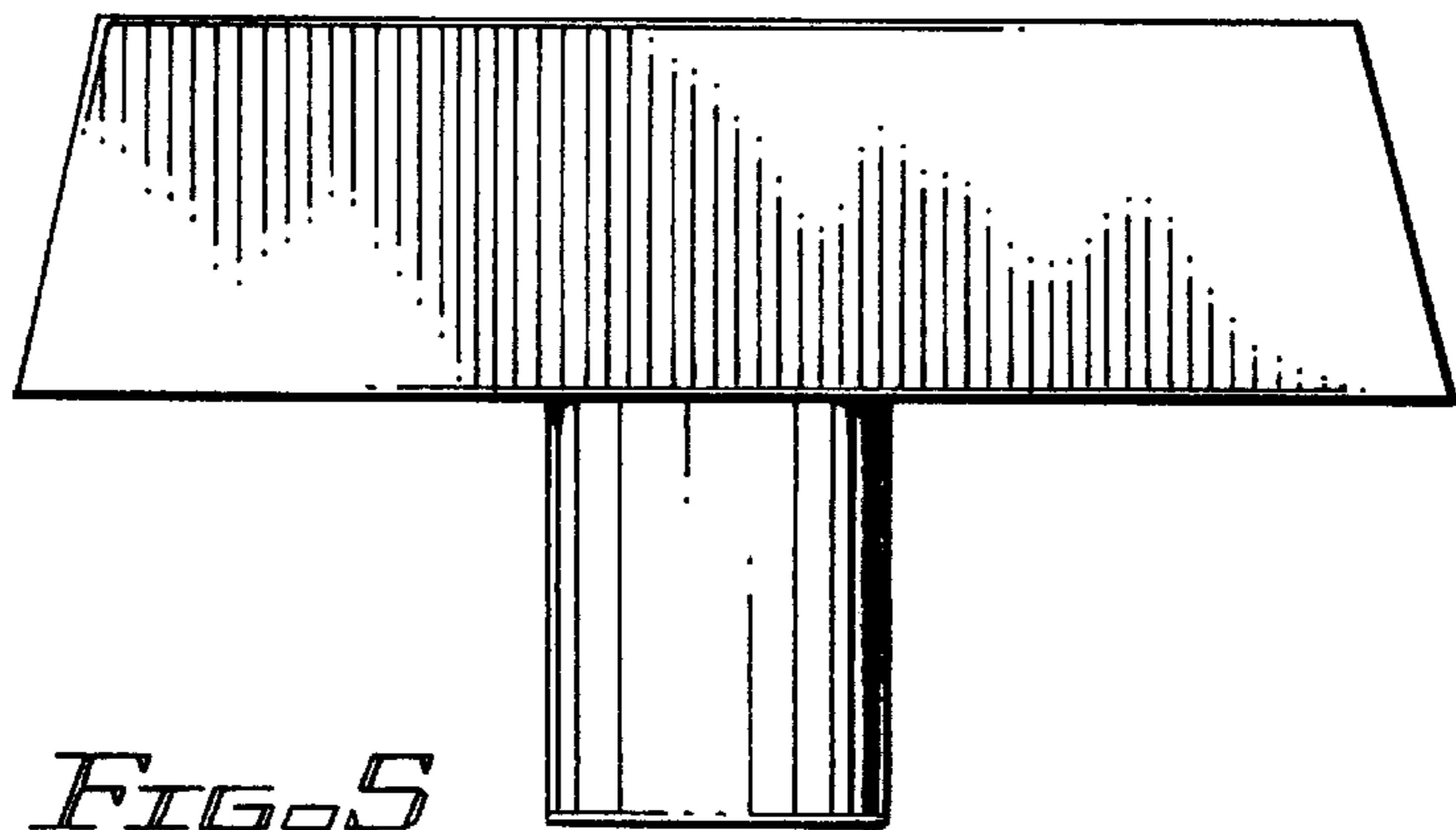


FIG. 5