



US00D405342S

United States Patent [19]
Thompson

[11] **Patent Number:** **Des. 405,342**

[45] **Date of Patent:** ****Feb. 9, 1999**

[54] **HANDLEBAR GRIP**

D. 320,125 9/1991 Hacker D8/303
D. 335,437 5/1993 Wilson D2/303
4,895,044 1/1990 Ekins D8/303

[76] Inventor: **Spencer J. Thompson**, 948 Rosario,
Thousand Oaks, Calif. 91362

Primary Examiner—Melody N. Brown
Attorney, Agent, or Firm—Kelly Bauersfeld; Lowry &
Kelley, LLP

[**] Term: **14 Years**

[21] Appl. No.: **87,139**

[57] **CLAIM**

[22] Filed: **Apr. 27, 1998**

The ornamental design for a handlebar grip, as shown and described.

[51] **LOC (6) Cl.** **08-06**

[52] **U.S. Cl.** **D8/303**

[58] **Field of Search** D8/303, 300; 116/110 R,
116/110.51, 111 R, DIG. 12; 74/551.8,
551.9

DESCRIPTION

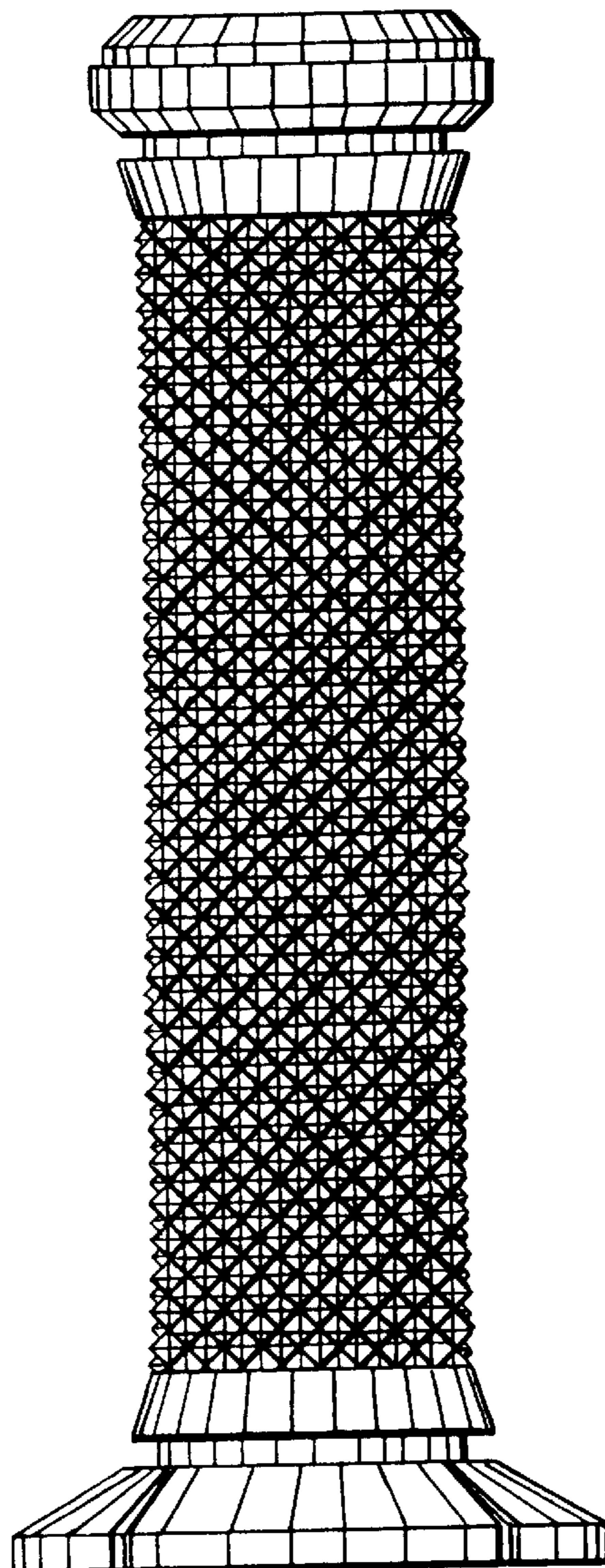
FIG. 1 is a side elevational view of a handlebar grip embodying the invention, the other side elevational views being identical;
FIG. 2 is a top plan view thereof; and,
FIG. 3 is a bottom plan view thereof.

[56] **References Cited**

U.S. PATENT DOCUMENTS

D. 278,879 5/1985 Oury D8/303

1 Claim, 1 Drawing Sheet



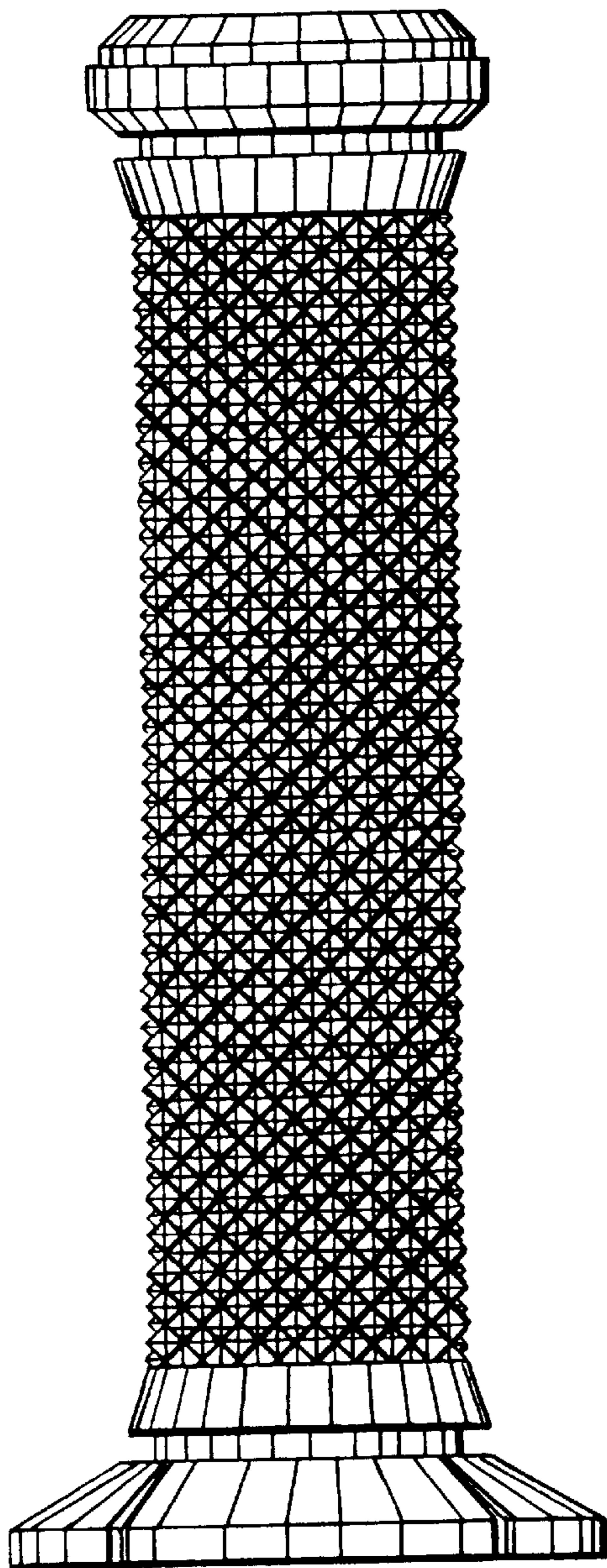


FIG. 1

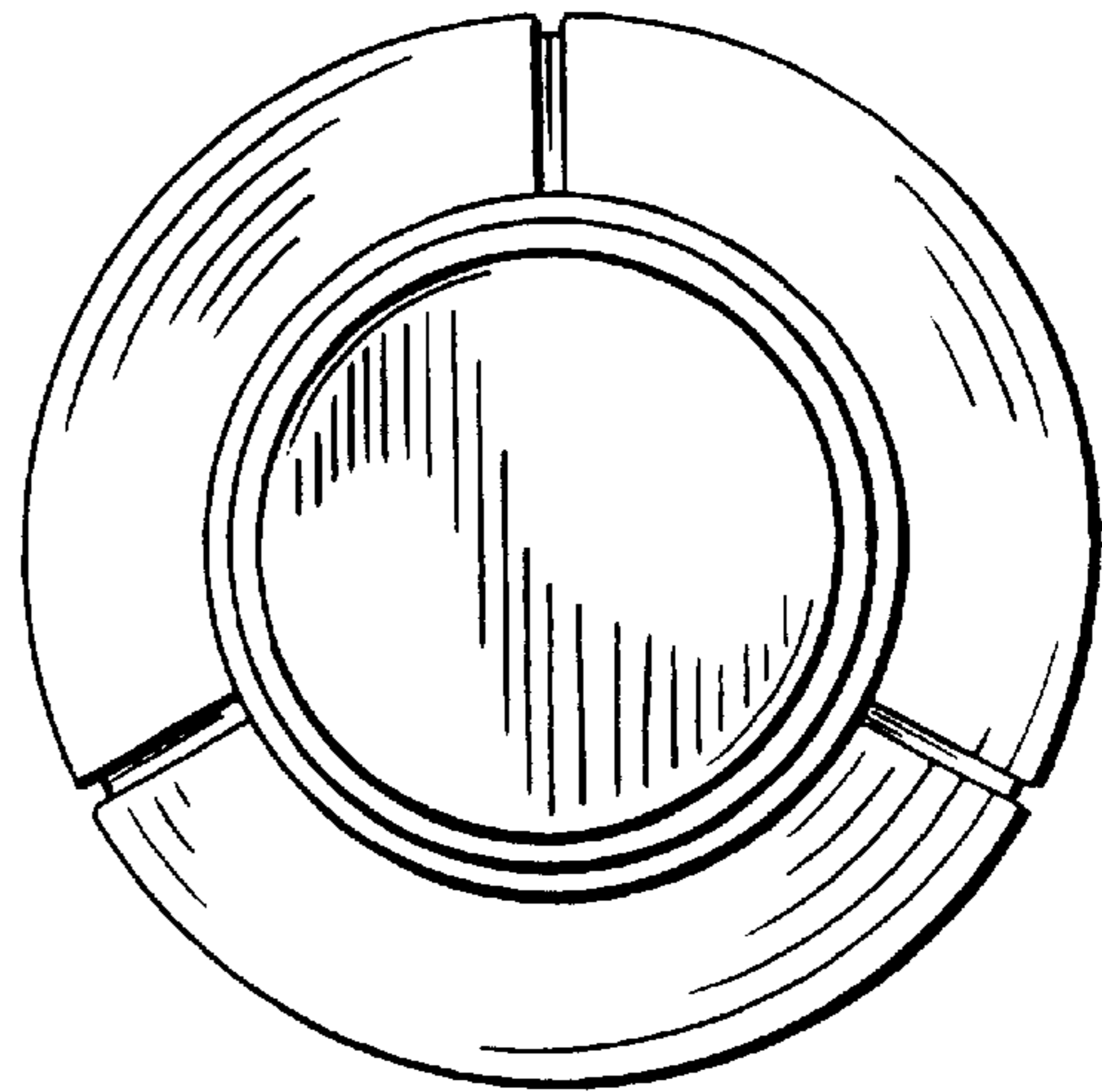


FIG. 2

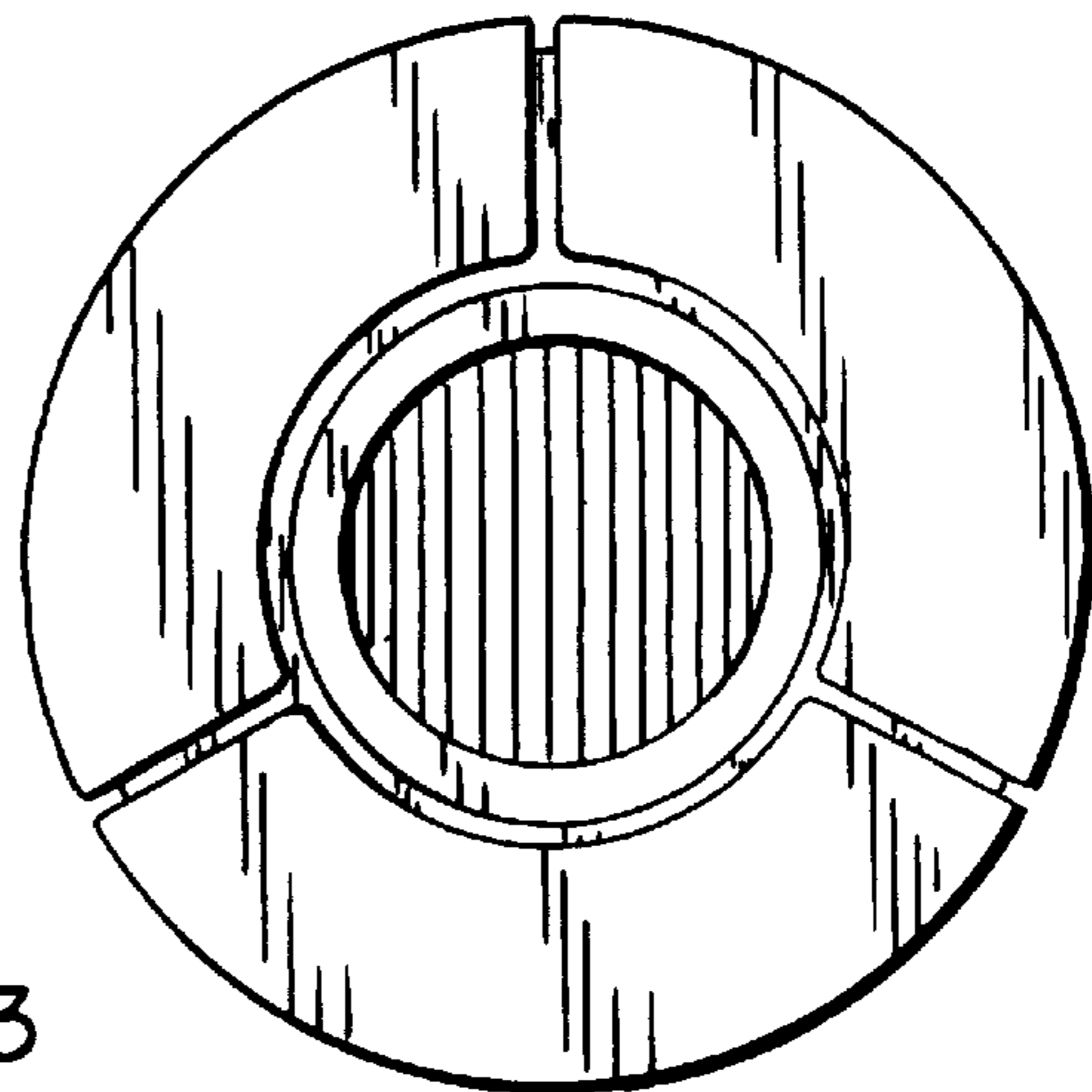


FIG. 3