



US00D405334S

United States Patent [19]
Sung

[11] **Patent Number: Des. 405,334**

[45] **Date of Patent: **Feb. 9, 1999**

[54] **SANDER**

OTHER PUBLICATIONS

[75] Inventor: **Eric Sung**, Ta-Li, Taiwan
[73] Assignee: **K.K.U. Limited**, Tokyo, Japan
[**] Term: **14 Years**
[21] Appl. No.: **62,010**
[22] Filed: **Nov. 5, 1996**

Campbell Industrial Supply Co., 1981.
Hardwares Catalog, p. 76, Aug. 1992.
Astro Power Catalog, p. 24.
Automotive Power Tools, Ingersoll-Rand Catalog, 1995, p. 34.
National-Detroit, Inc. Catalog, pp. 1, 2 & 3.
Air Tools Catalog, 1992, p.11.
Raider Air Tools Catalog, p. 2.
Hardwares Catalog, Aug. 1991.
Automotive Power Tools, Ingersoll-Rand Catalog, 1992 p. 34.
Automotive Air Tools, Chicago Pneumatic Catalog, Mar. 1990, p. 36.

Related U.S. Application Data

[63] Continuation-in-part of Ser. No. 43,730, Sep. 11, 1995.
[51] **LOC (6) Cl.** **08-02**
[52] **U.S. Cl.** **D8/62**
[58] **Field of Search** D8/62; 451/355-359

Primary Examiner—Antoine Duval Davis
Attorney, Agent, or Firm—Greer, Burns, & Crain, Ltd.

[56] **References Cited**

[57] **CLAIM**

U.S. PATENT DOCUMENTS

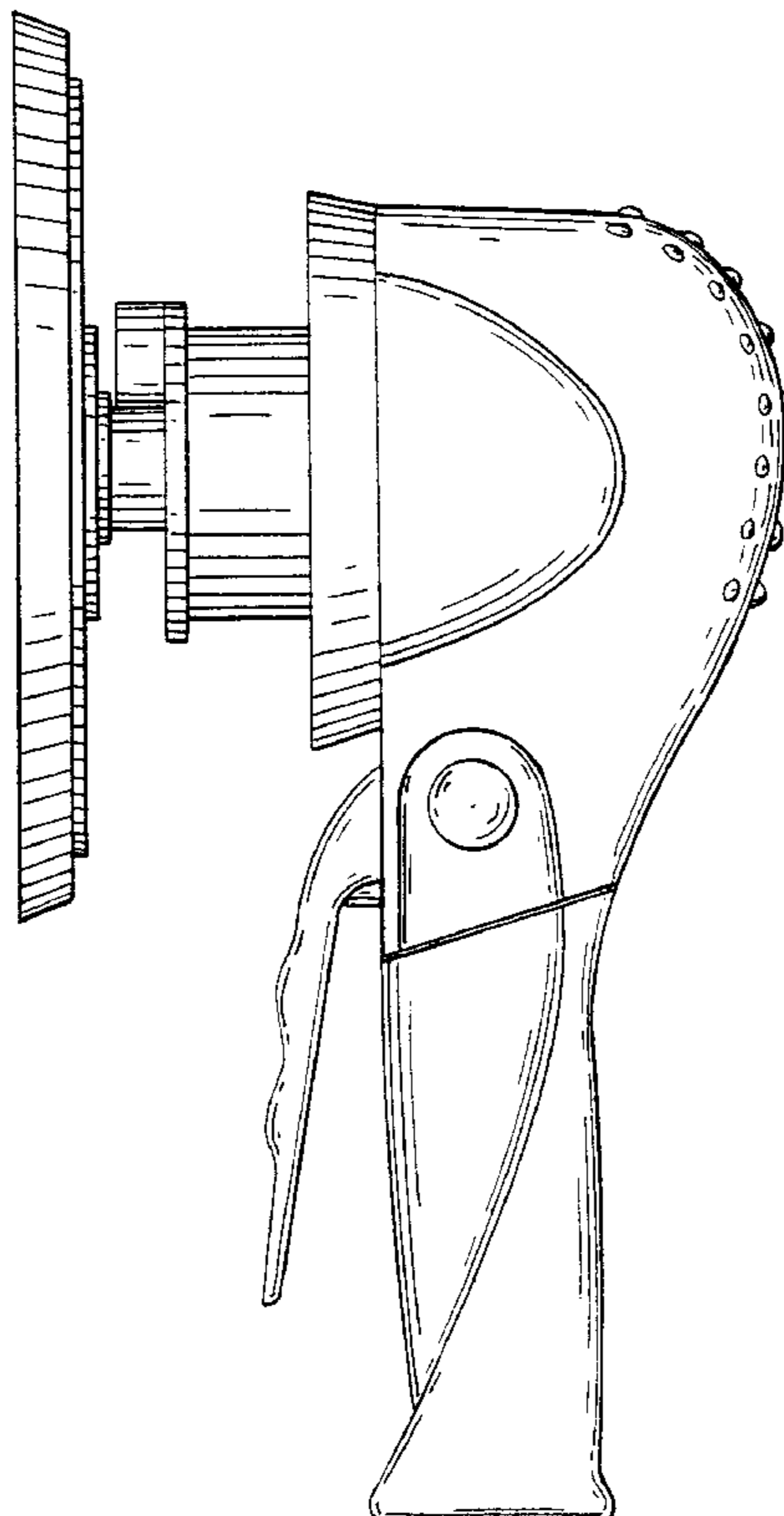
The ornamental design for a sander, as shown and described.

D. 204,772	5/1966	Brown	D8/62
D. 256,881	9/1980	Hutchins	.	
D. 324,800	3/1992	Butzen	.	
D. 324,803	3/1992	Butzen et al.	D8/62
D. 332,559	1/1993	Miyoshi et al.	.	
D. 344,878	3/1994	Izumisawa	.	
D. 353,310	12/1994	Izumisawa	.	
D. 353,311	12/1994	Izumisawa	.	
D. 357,163	4/1995	Izumisawa	.	
3,364,625	1/1968	Sogge	451/357 X
3,857,206	12/1974	Heffnan, Jr.	451/357

DESCRIPTION

FIG. 1 is a left side view of a sander showing my new design;
FIG. 2 is a top view thereof;
FIG. 3 is a right side view thereof;
FIG. 4 is a bottom view thereof;
FIG. 5 is a front view thereof; and,
FIG. 6 is a rear view thereof.

1 Claim, 3 Drawing Sheets



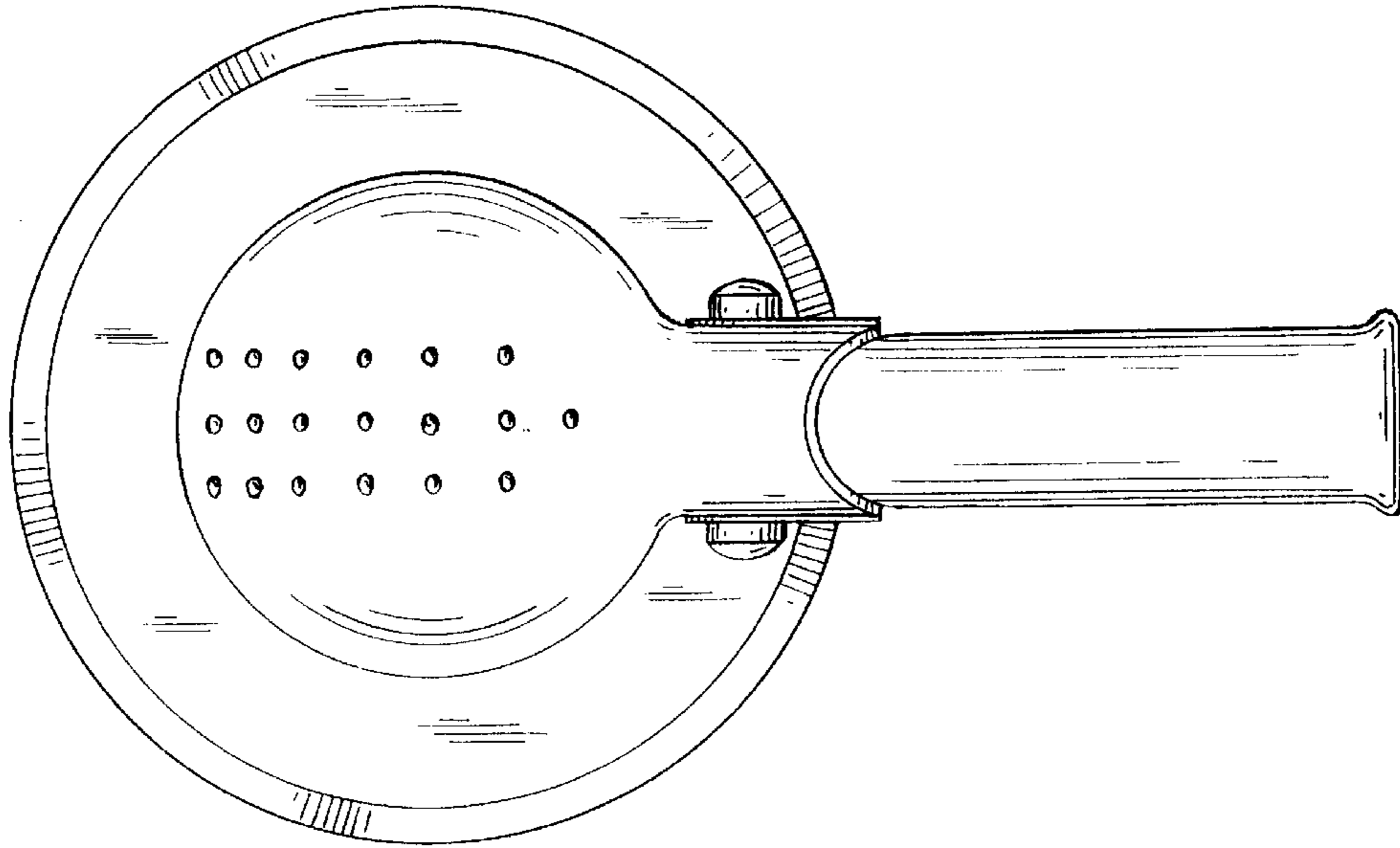


FIG. 2

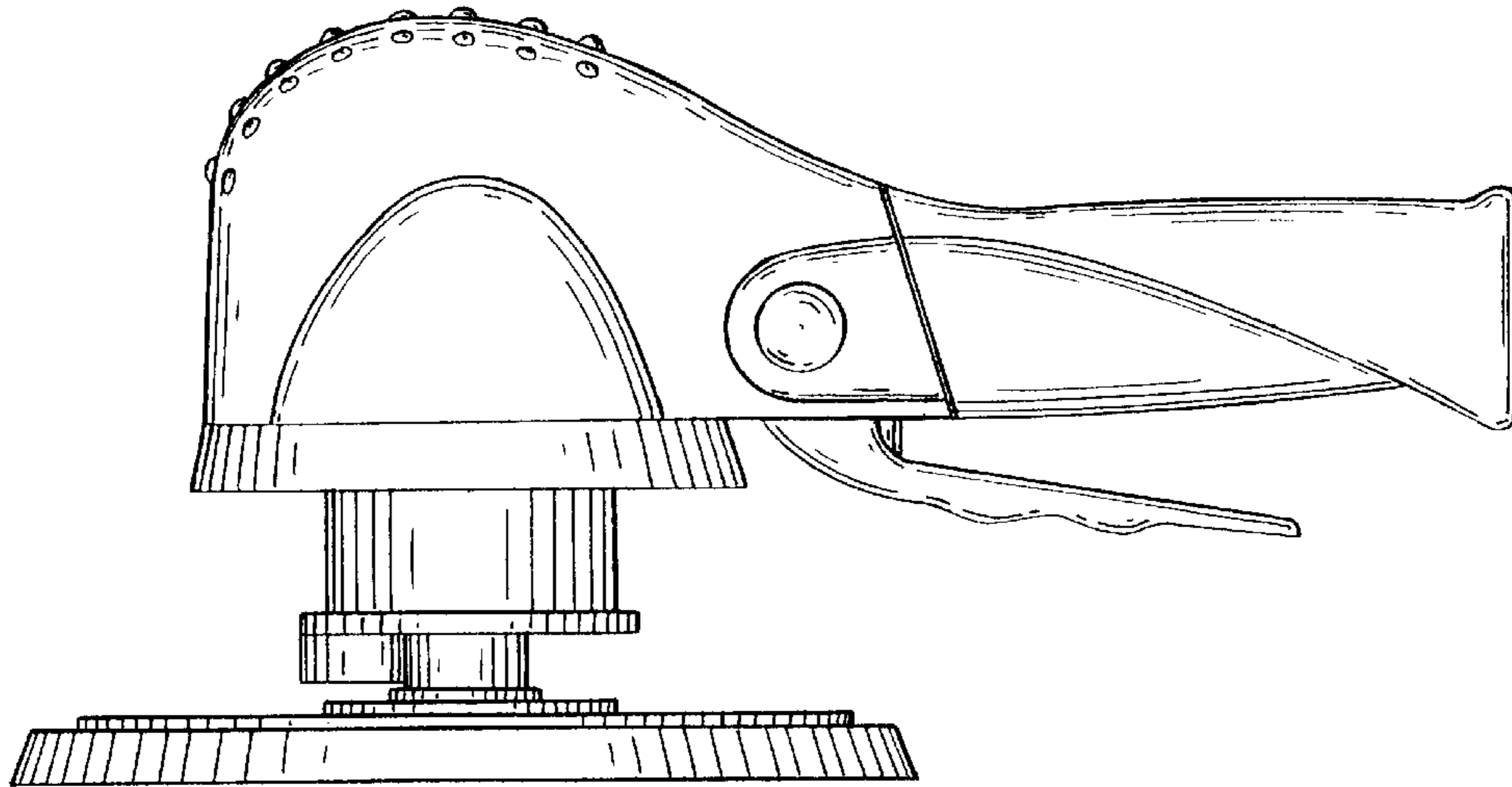


FIG. 1

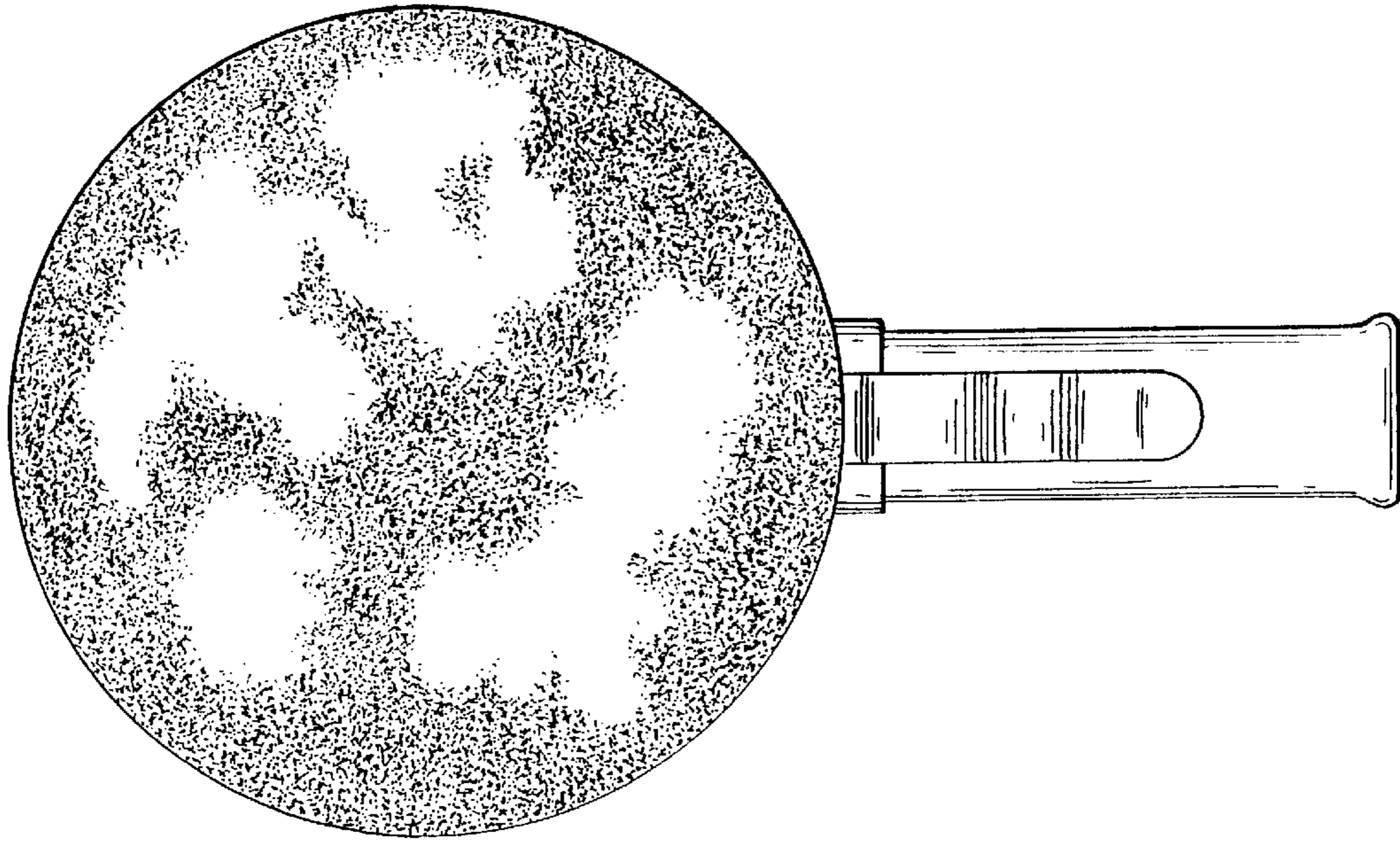


FIG. 4

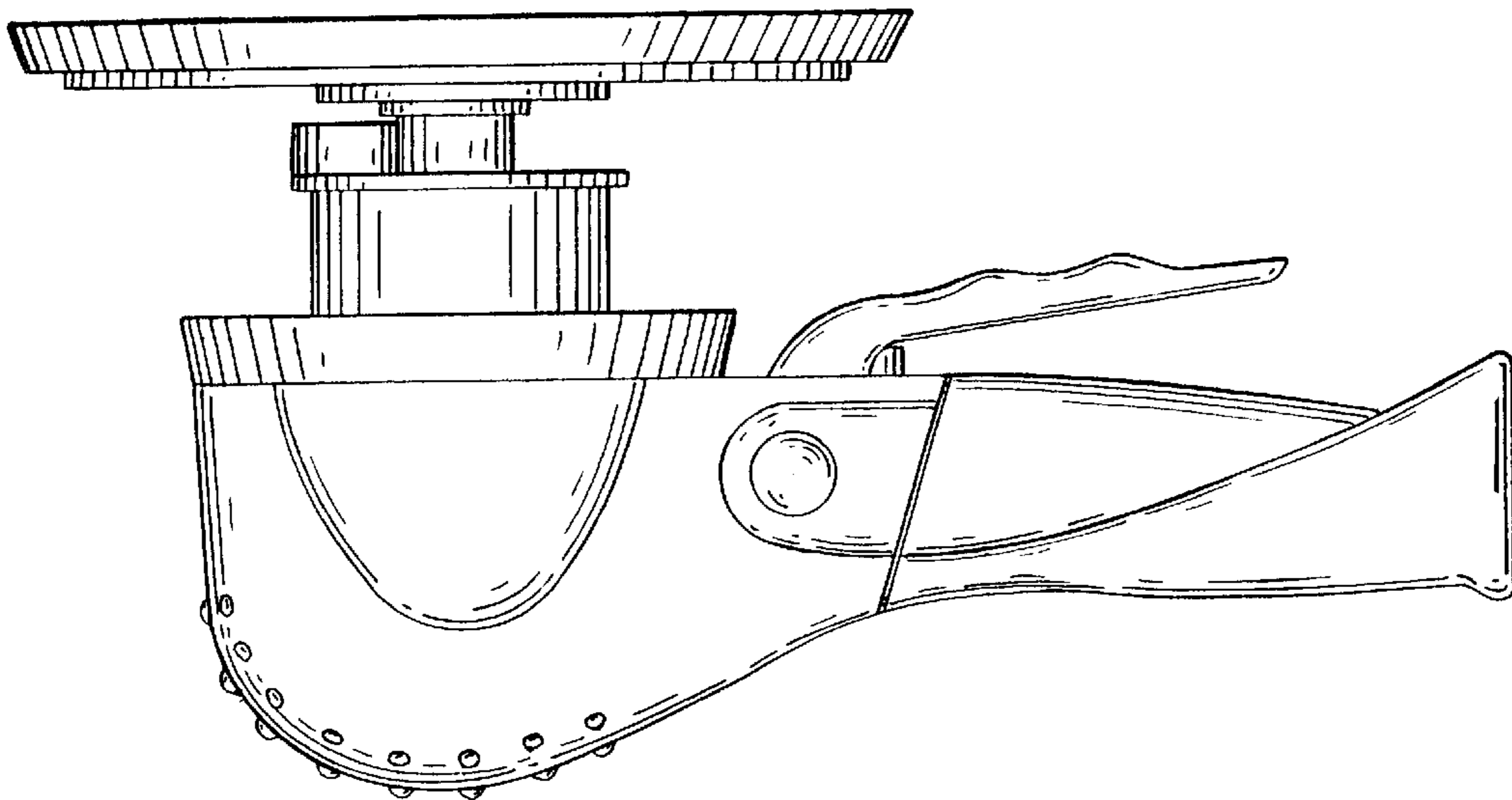


FIG. 3

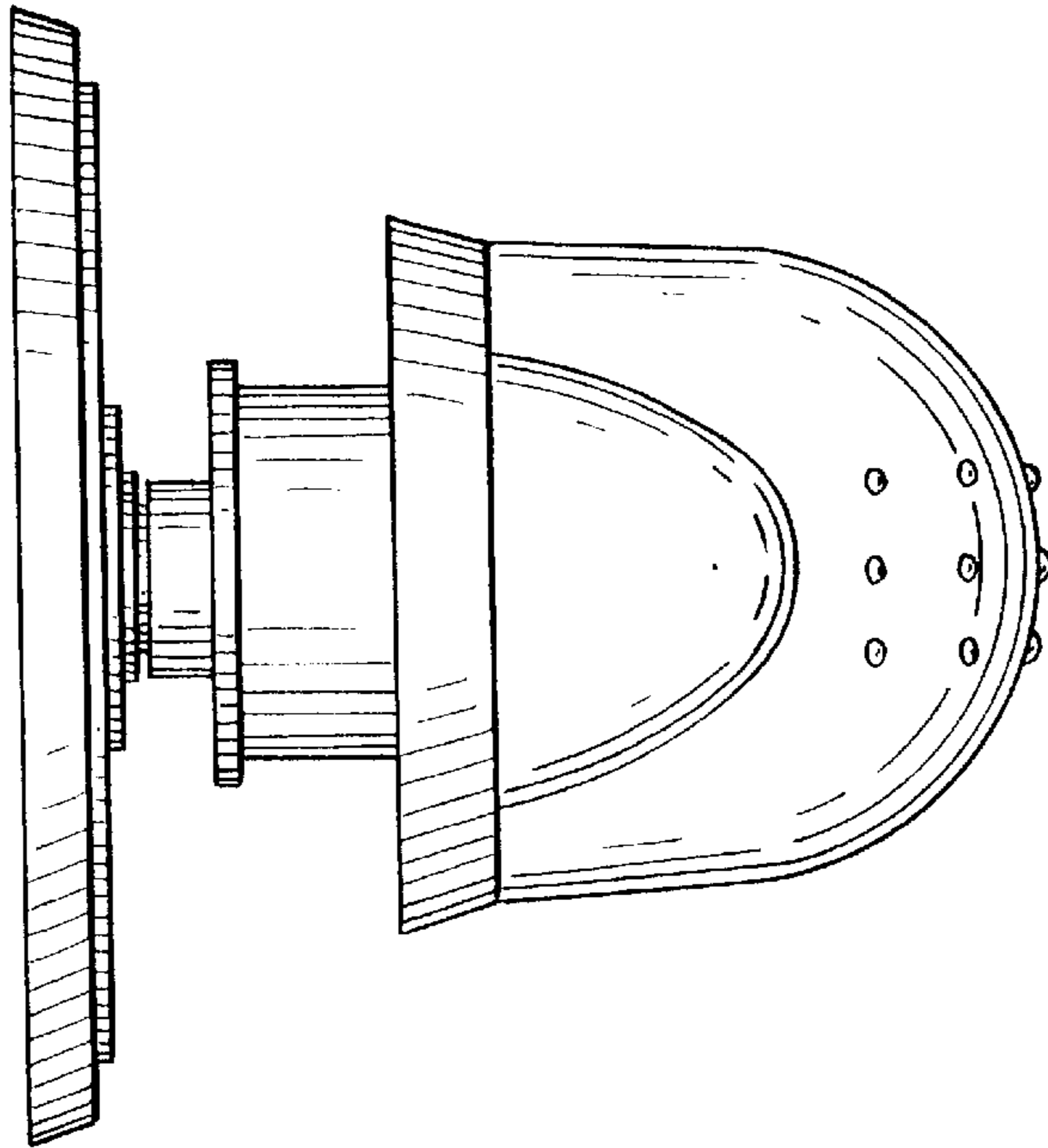


FIG. 5

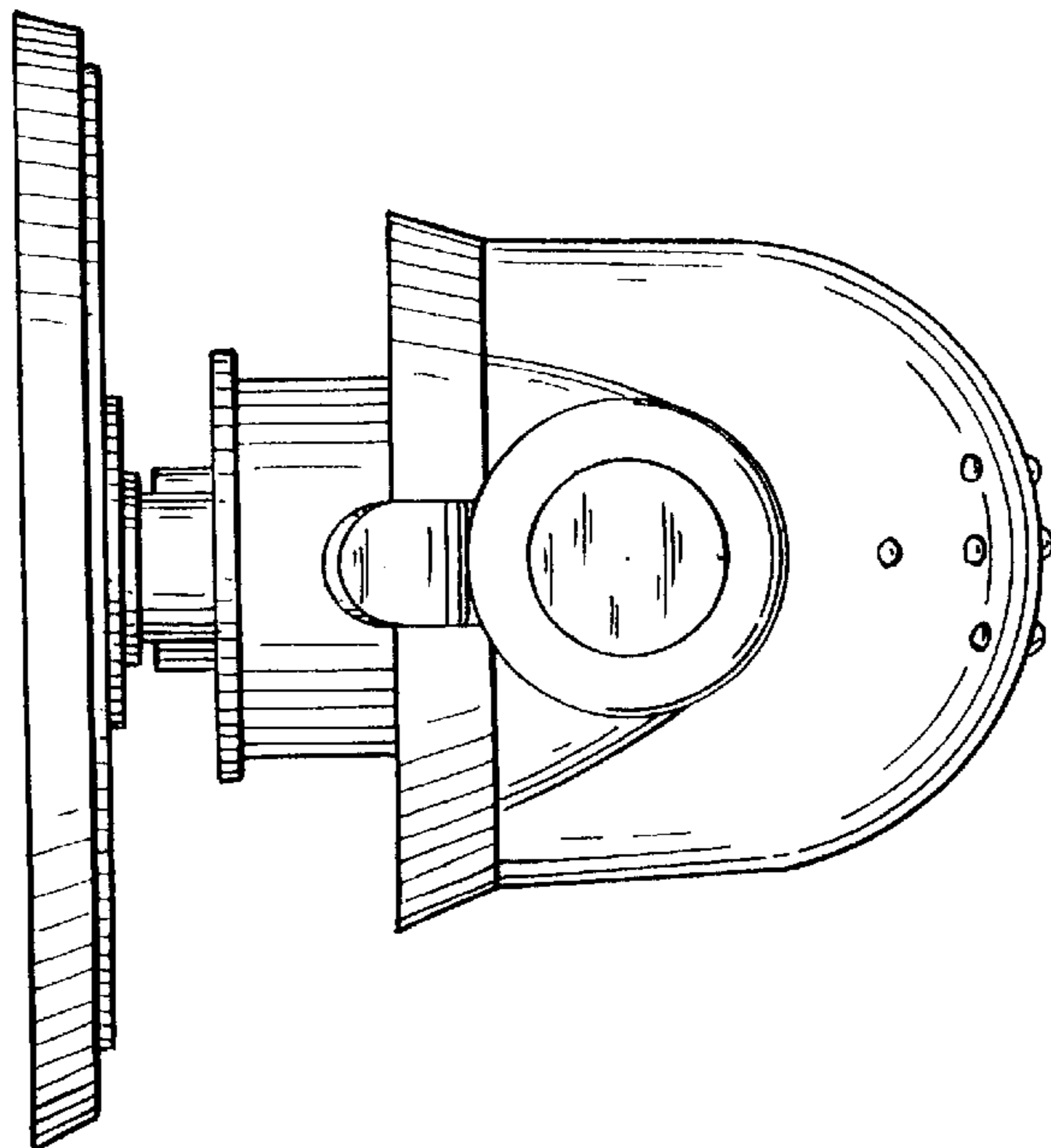


FIG. 6