



US00D405332S

United States Patent [19]
So

[11] **Patent Number: Des. 405,332**

[45] **Date of Patent: **Feb. 9, 1999**

[54] **CAN OPENER**

[76] **Inventor: Shun So, 2/F., Chuan Yuan Factory Building, 342-344 Kwun Tong Road, Kwun Tong, Kowloon, Hong Kong**

[**] **Term: 14 Years**

[21] **Appl. No.: 89,487**

[22] **Filed: Jun. 16, 1998**

[30] **Foreign Application Priority Data**

Mar. 6, 1998 [GB] United Kingdom 2073057

[51] **LOC (6) Cl. 07-99**

[52] **U.S. Cl. D8/39**

[58] **Field of Search D8/33, 34, 39, D8/40; 7/151-156; 30/417, 418, 422, 424-427, 430, 431**

[56] **References Cited**

U.S. PATENT DOCUMENTS

D. 282,521 2/1986 Steinko D8/39

D. 362,379 9/1995 Tekaat D8/39
4,825,554 5/1989 Koo 30/417
5,581,897 12/1996 Liebscher 30/416

Primary Examiner—Caron D. Veynar
Attorney, Agent, or Firm—Darby & Darby

[57] **CLAIM**

The ornamental design for a can opener, as shown and described.

DESCRIPTION

FIG. 1 is a top plan view of a can opener showing my new design;
FIG. 2 is a front elevational view thereof;
FIG. 3 is a bottom plan view thereof;
FIG. 4 is a rear elevational view thereof;
FIG. 5 is a right side elevational view thereof;
FIG. 6 is a left side elevational view thereof;
FIG. 7 is a perspective view thereof, as viewed from the bottom; and,
FIG. 8 is a perspective view thereof, as viewed from the top.

1 Claim, 4 Drawing Sheets

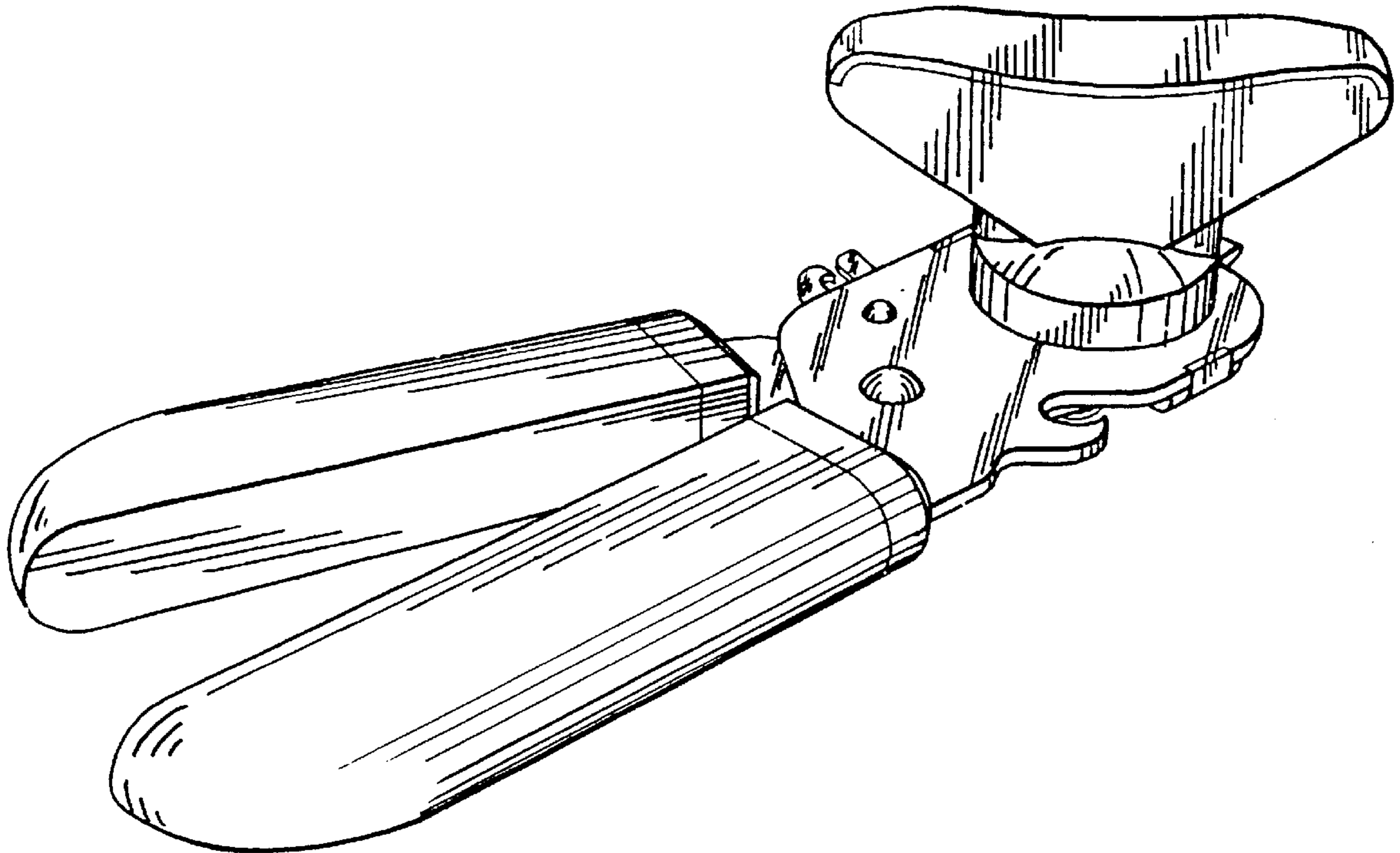


FIG. 1

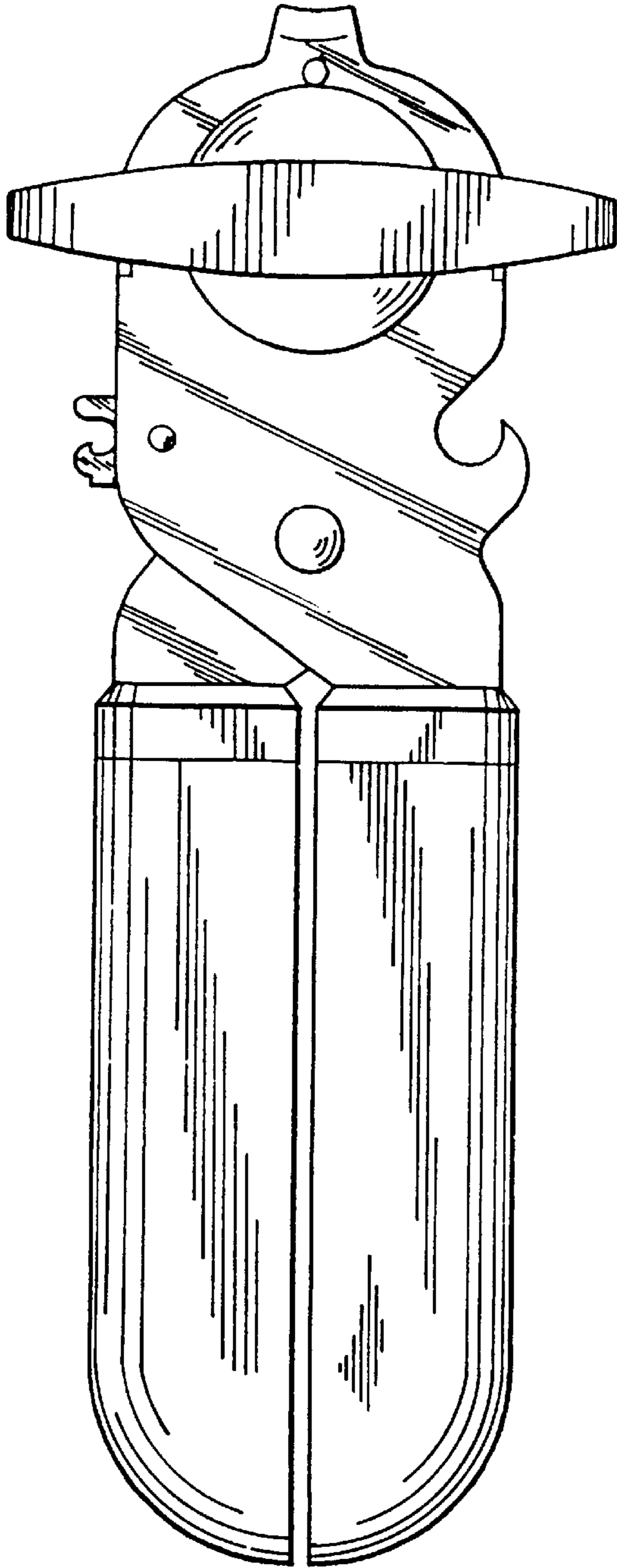


FIG. 2

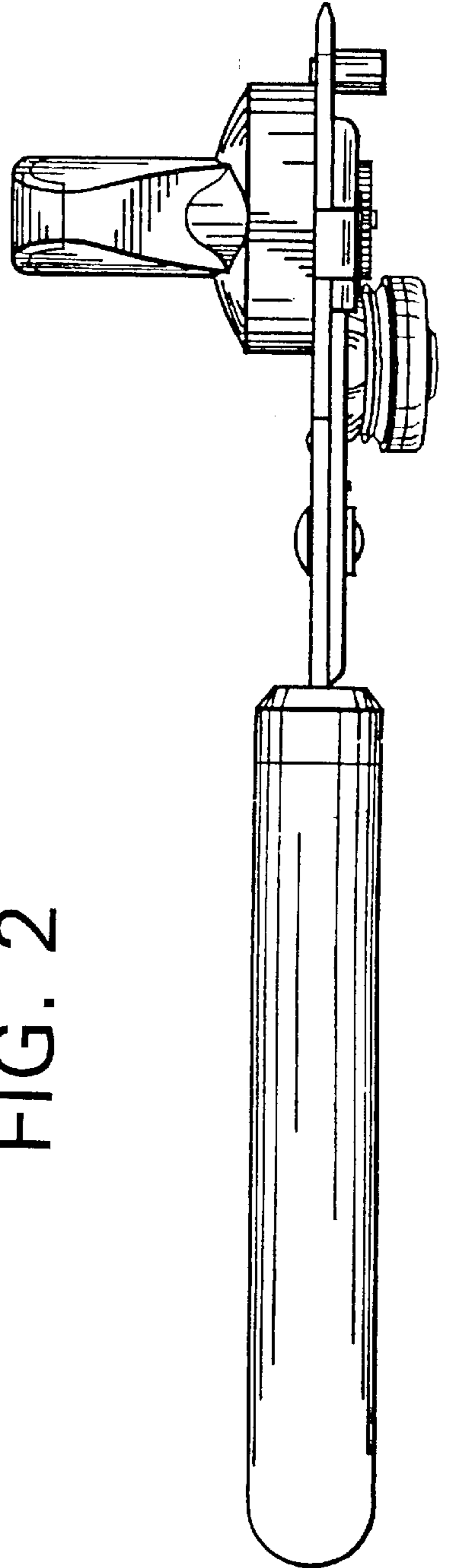


FIG. 3

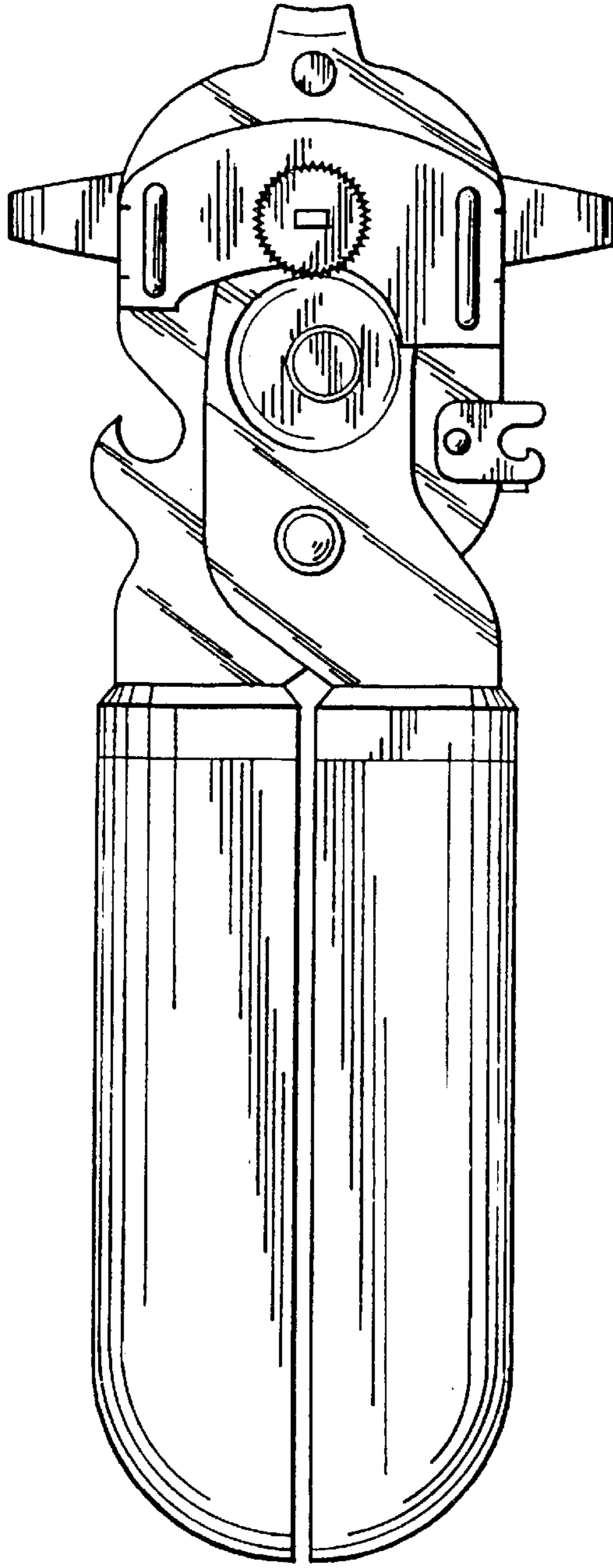


FIG. 4

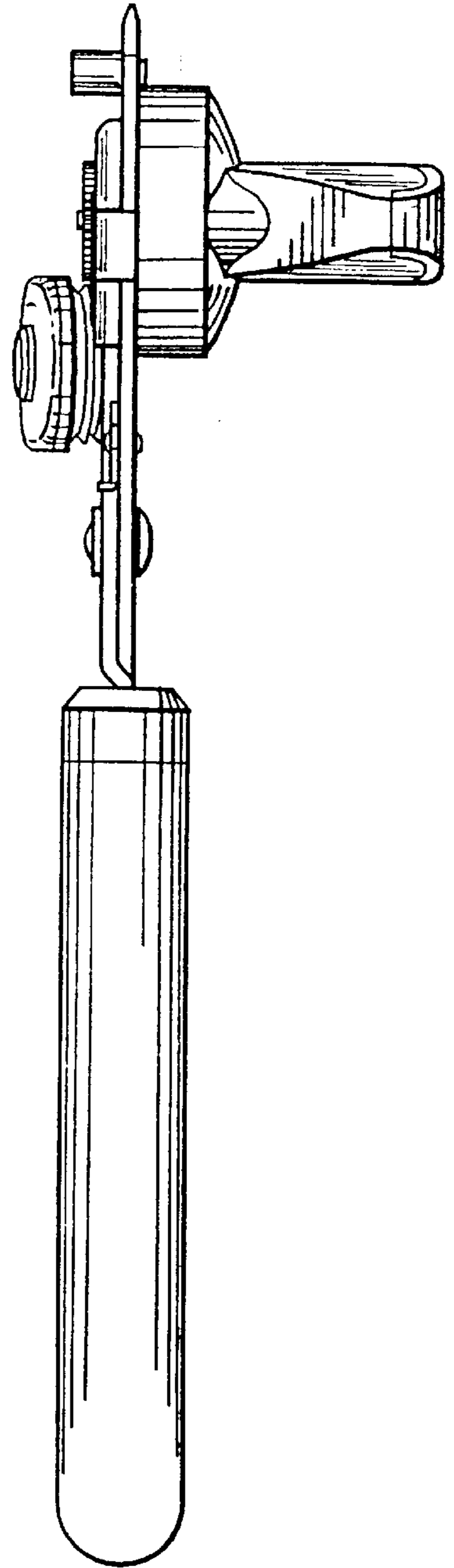


FIG. 5

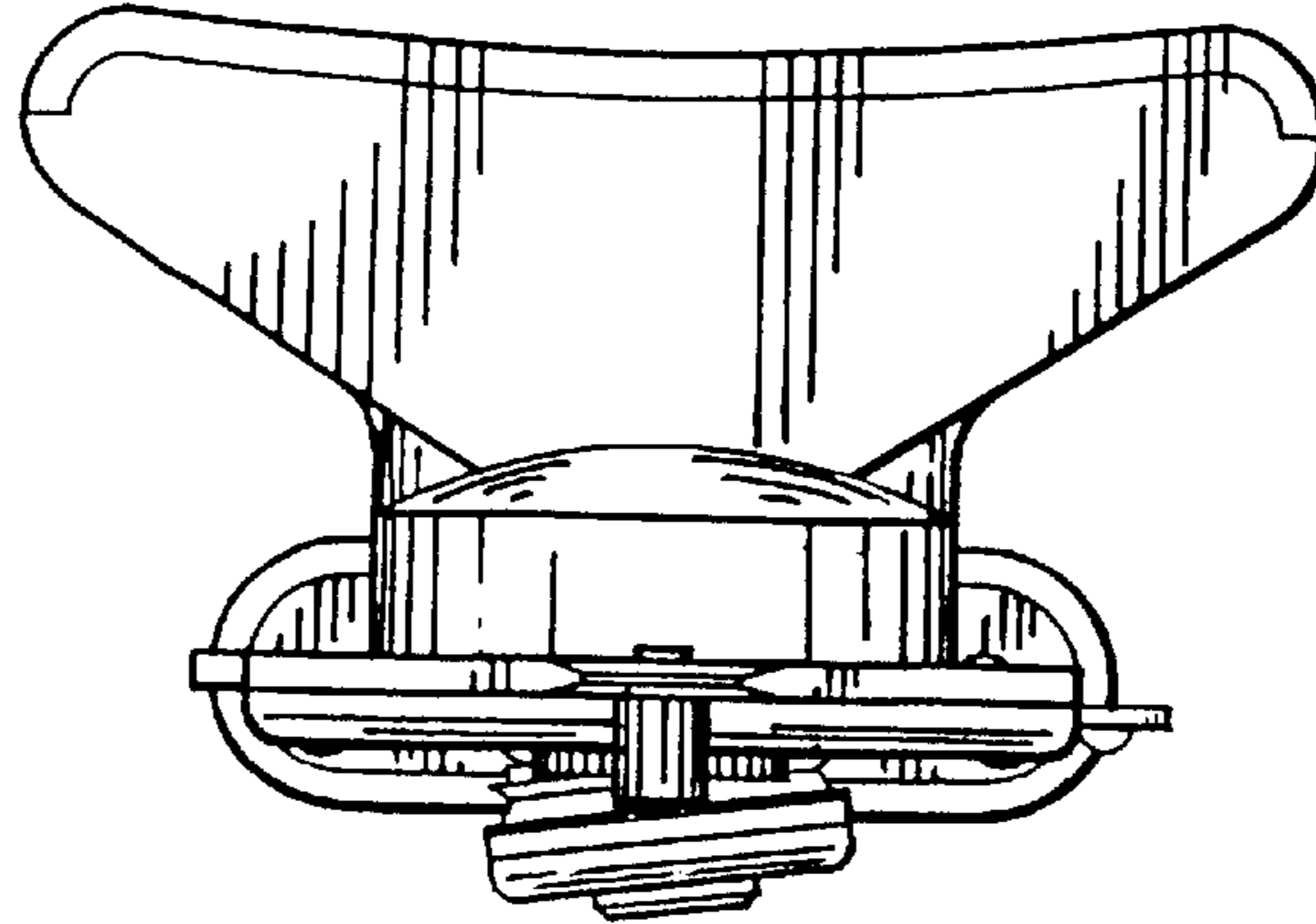


FIG. 6

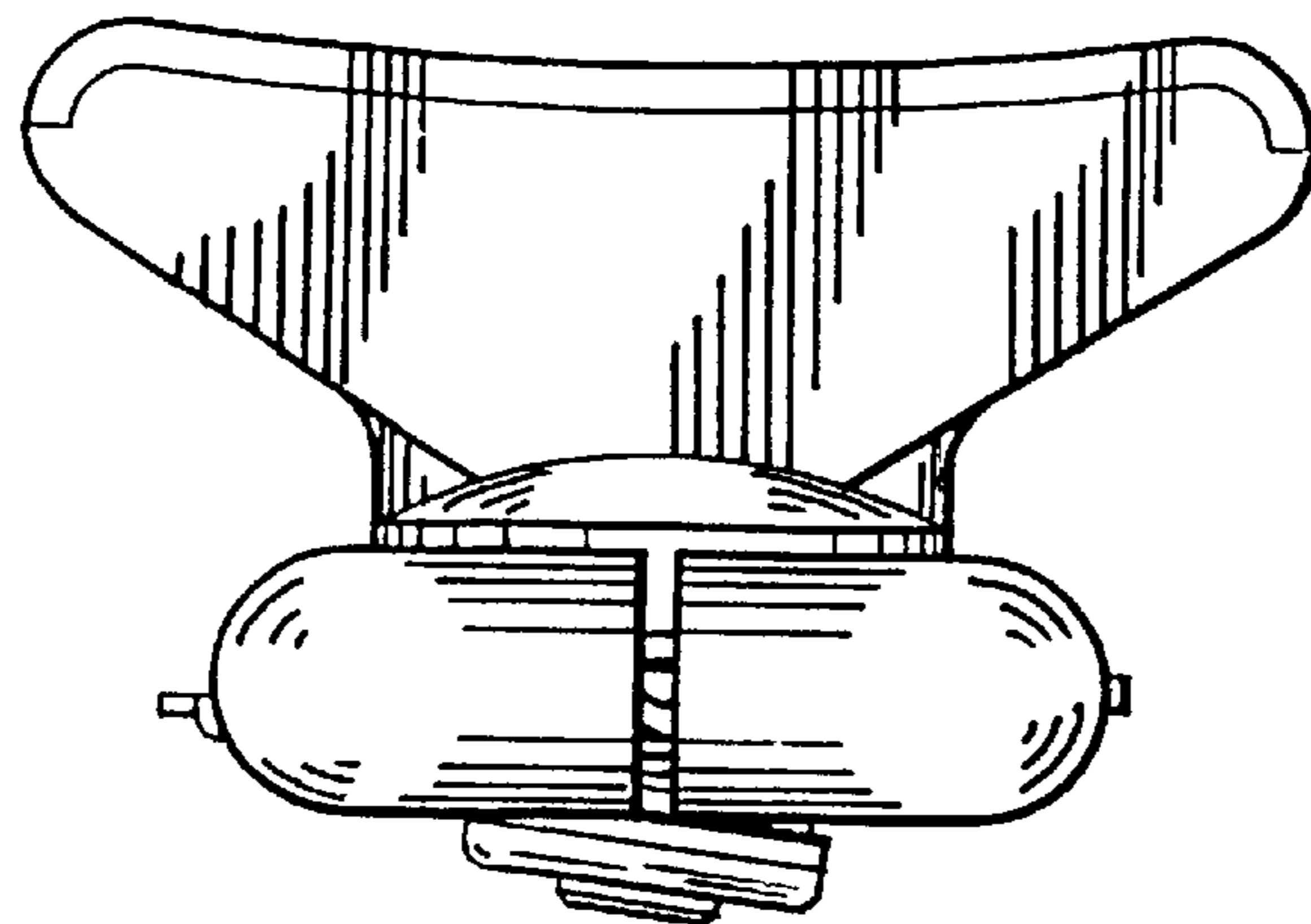


FIG. 7

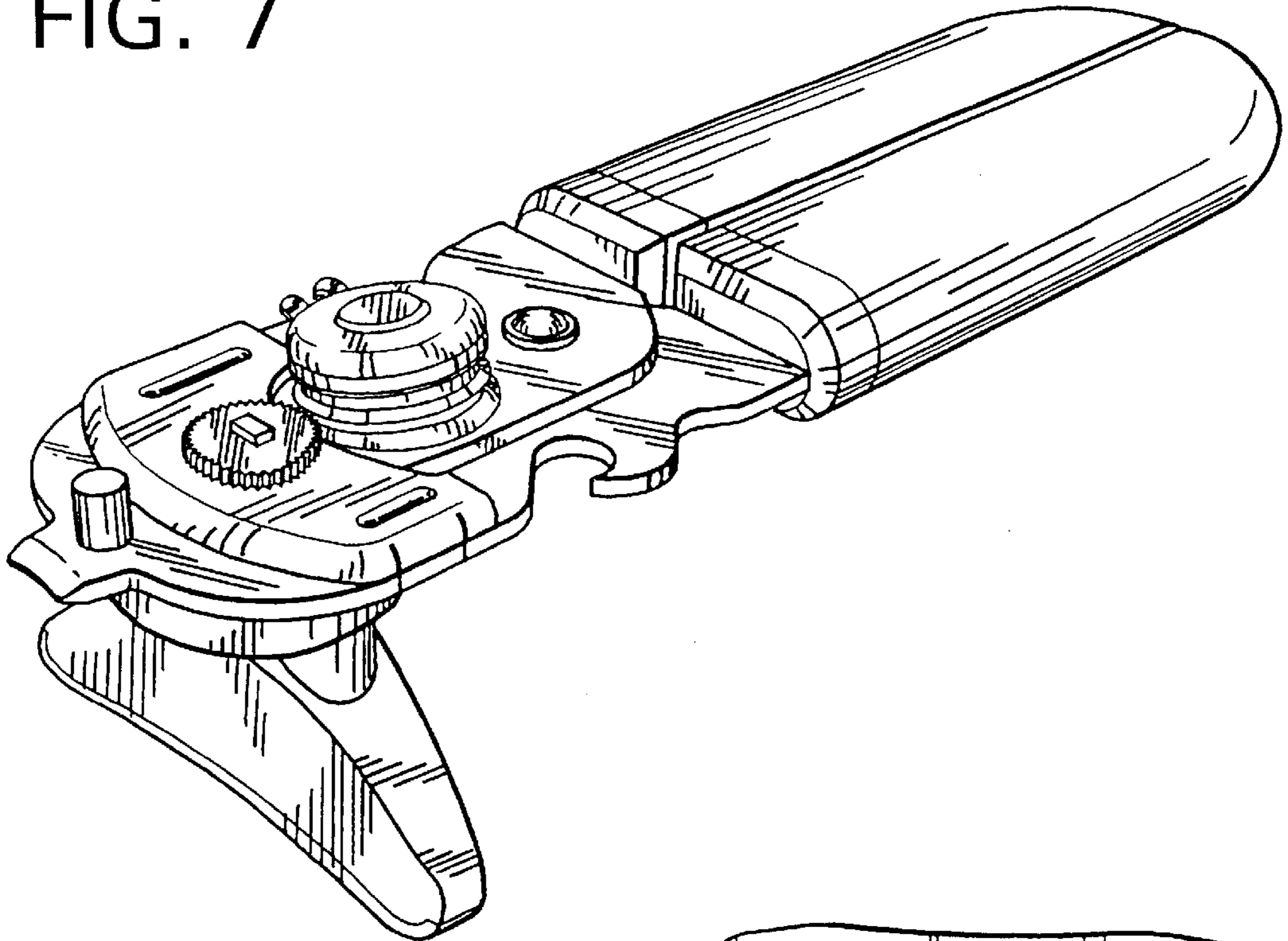


FIG. 8

