



US00D405331S

United States Patent [19] Riccobene

[11] **Patent Number: Des. 405,331**

[45] **Date of Patent: **Feb. 9, 1999**

[54] **CAN OPENER**

4,563,919 1/1986 Sellars 81/3.55
4,745,829 5/1988 VanHoutte et al. 81/3.55
4,923,392 5/1990 Moynihan, III 431/253

[76] Inventor: **Ronald J. Riccobene**, 443 E. Myrtle Ave., Trevoese, Pa. 19053

[**] Term: **14 Years**

Primary Examiner—Caron D. Veynar
Attorney, Agent, or Firm—Goldstein & Canino

[21] Appl. No.: **81,124**

[57] **CLAIM**

[22] Filed: **Dec. 23, 1997**

The ornamental design for a can opener, as shown and described.

[51] **LOC (6) Cl. 07-99**

DESCRIPTION

[52] **U.S. Cl. D8/18; D8/33**

[58] **Field of Search** D8/18, 19, 33-43;
7/151-156; 30/400, 409, 429; 81/3.07,
3.4, 3.55, 3.48

FIG. 1 is a diagrammatic perspective view of the can opener in full lines with a can shown in broken lines representing environmental association matter being for illustrative purposes only and forming no part of the claimed invention; FIG. 2 is a top plan view of the can opener; FIG. 3 is a bottom plan view thereof; FIG. 4 is a right side elevational view thereof, the left side view being a mirror image of the right side view; FIG. 5 is a front elevational view of the can opener; and, FIG. 6 is a rear elevational view thereof.

[56] **References Cited**

U.S. PATENT DOCUMENTS

D. 281,760	12/1985	Doring et al.	D8/18
D. 306,124	2/1990	Hoilien	D8/18
D. 358,311	5/1995	Sarnoff et al.	D8/34
4,409,863	10/1983	Anderson	D8/40 X
4,416,171	11/1983	Chmela et al.	D8/40 X

1 Claim, 2 Drawing Sheets

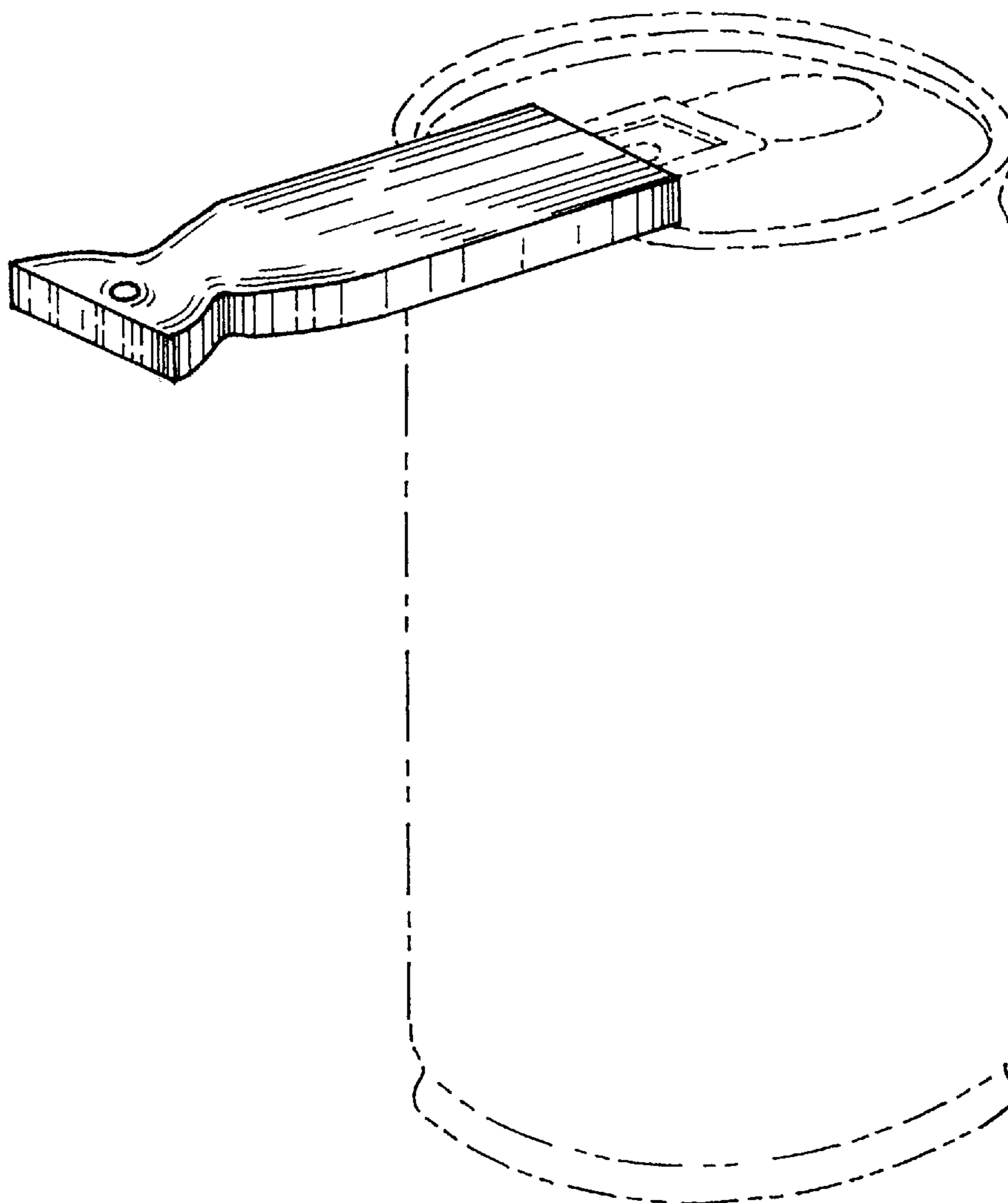


FIG. 1

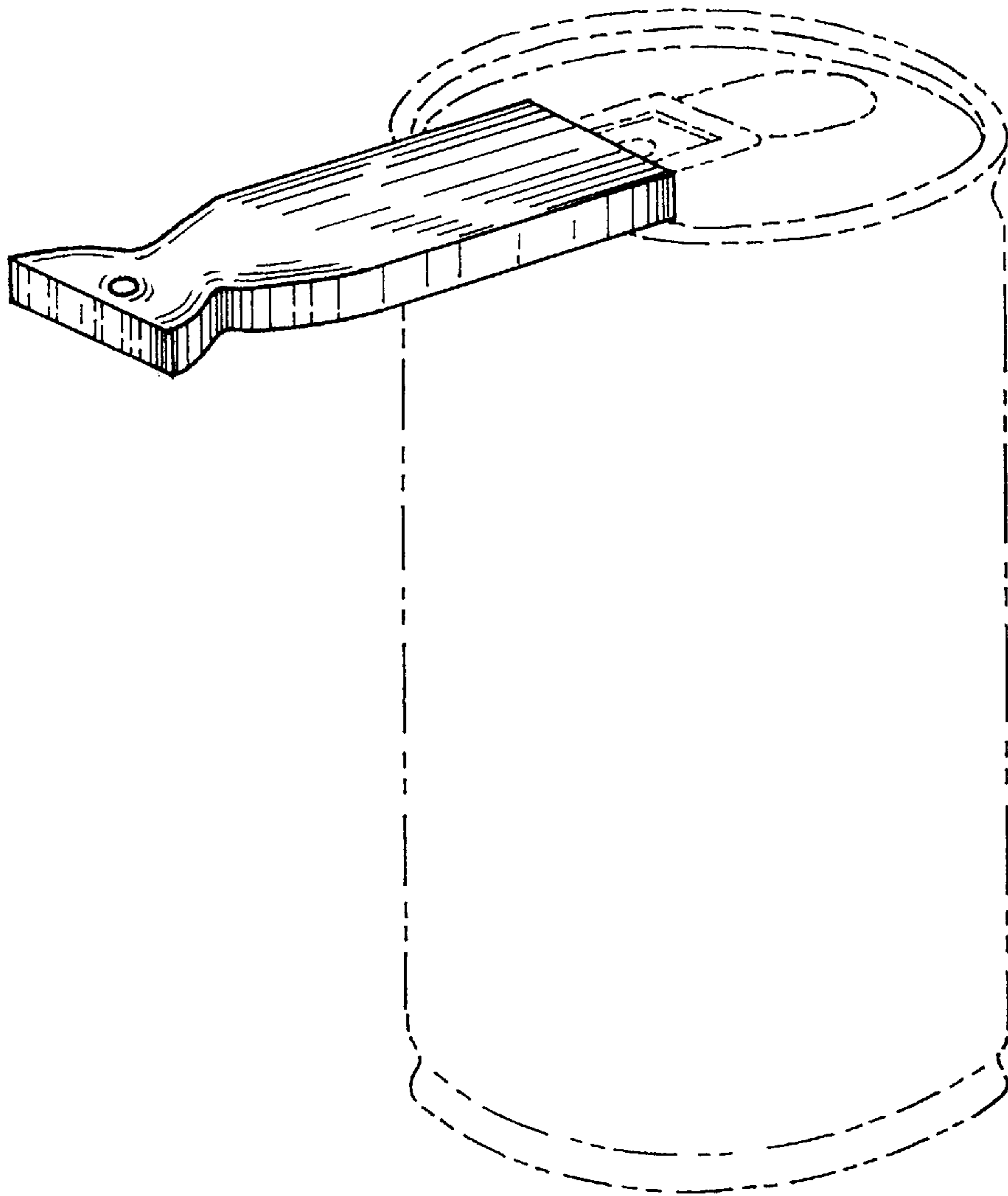


FIG. 2



FIG. 3

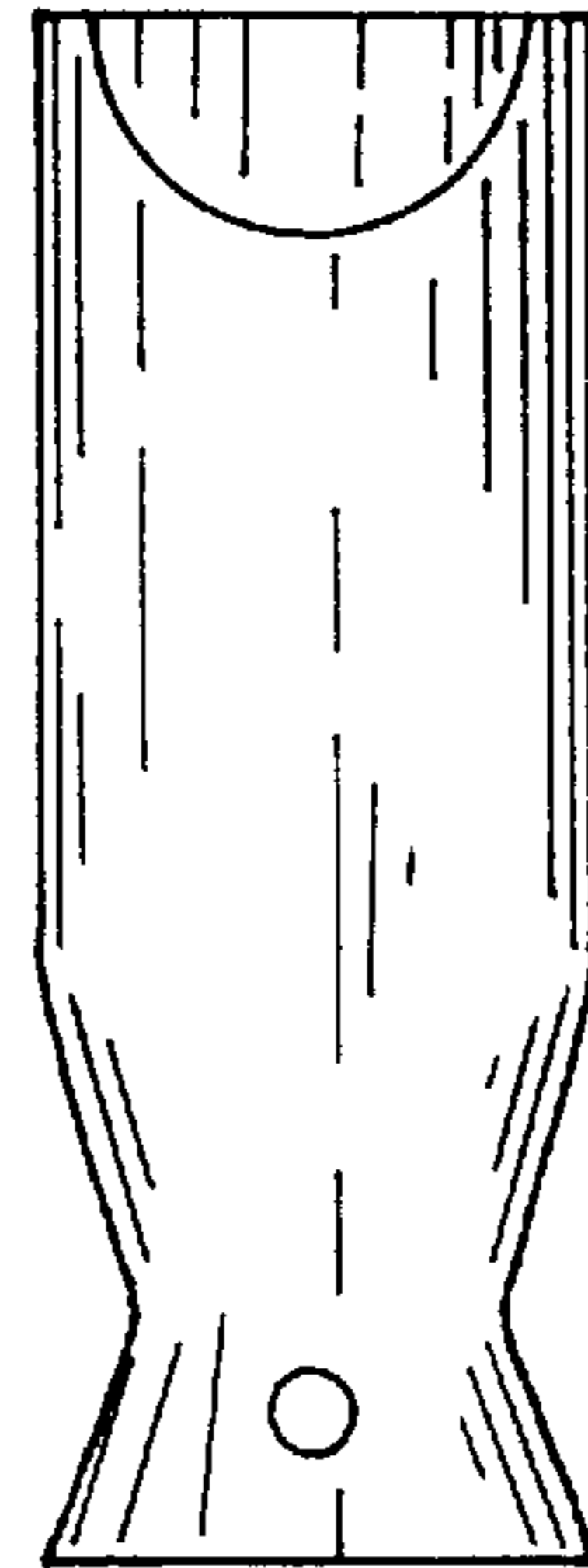


FIG. 4

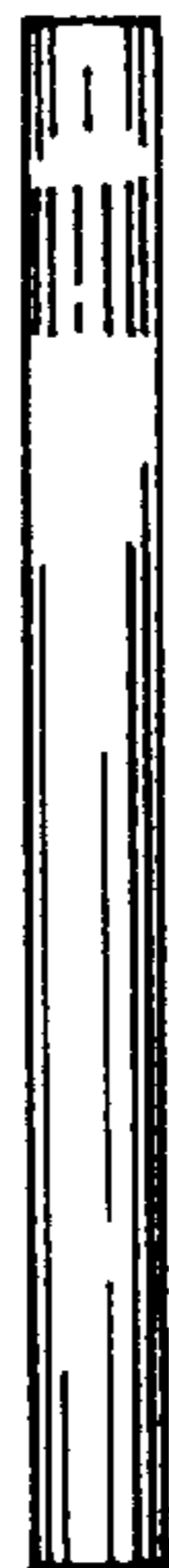


FIG. 5

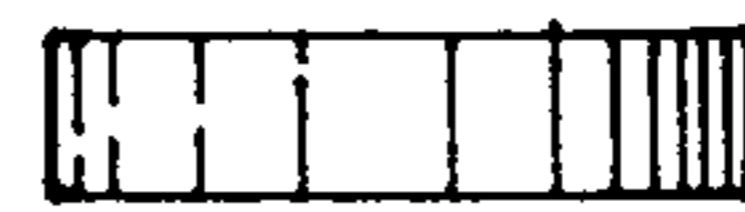


FIG. 6

