



US00D405327S

**United States Patent** [19]  
**Fortier**

[11] **Patent Number: Des. 405,327**  
[45] **Date of Patent: \*\*Feb. 9, 1999**

[54] **MANUAL AGRICULTURAL IMPLEMENT**

3,264,809 8/1966 Jackson ..... D8/13

[76] Inventor: **Mario Fortier**, 5 de Vitre , Beaumont (Qc), Canada, G0R 1C0

*Primary Examiner*—Holly Baynham

[\*\*] Term: **14 Years**

[57] **CLAIM**

[21] Appl. No.: **76,307**

I claim the ornamental design for a manual agricultural implement, as shown and described.

[22] Filed: **Sep. 16, 1997**

**DESCRIPTION**

[51] **LOC (6) Cl.** ..... **08-01**

FIG. 1 is a perspective view of the manual agricultural implement;

[52] **U.S. Cl.** ..... **D8/1; D8/13**

FIG. 2 is a reduced front view of the implement of FIG. 1; FIG. 3 is a reduced side view with the opposite side being a mirror image;

[58] **Field of Search** ..... D8/1, 7, 13; D15/28-29; 56/400.01, 400.04-400.21; 172/171-172, 175-176

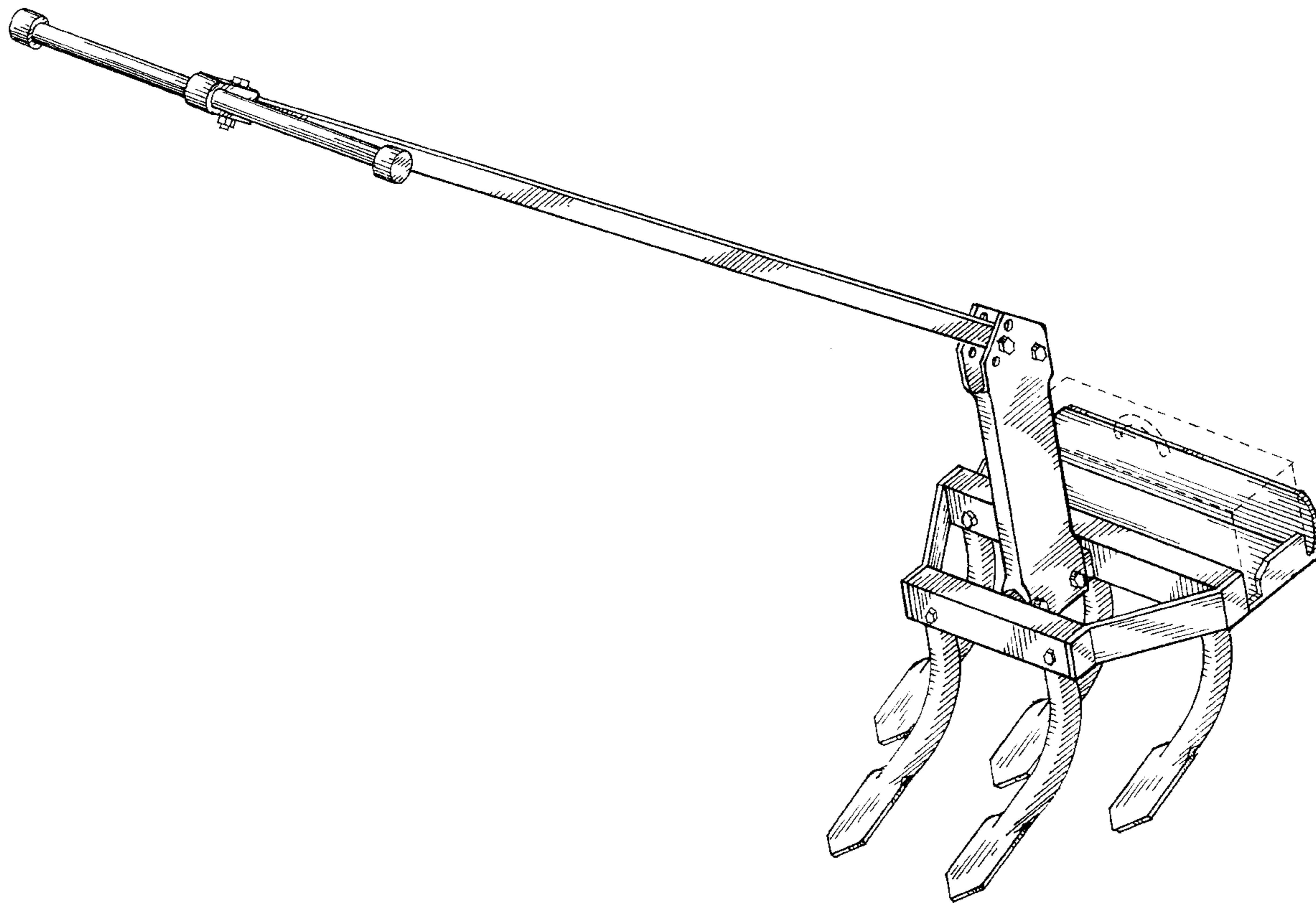
FIG. 4 is an enlarged partially cut top view thereof; and, FIG. 5 is an enlarged bottom view thereof, also partially cut. The broken line showing a structure is for illustrative purposes only and forms no part of the claimed design.

[56] **References Cited**

**U.S. PATENT DOCUMENTS**

460,157 9/1891 Osborne ..... D8/13  
1,998,195 4/1935 Jenny ..... D8/13 X

**1 Claim, 3 Drawing Sheets**



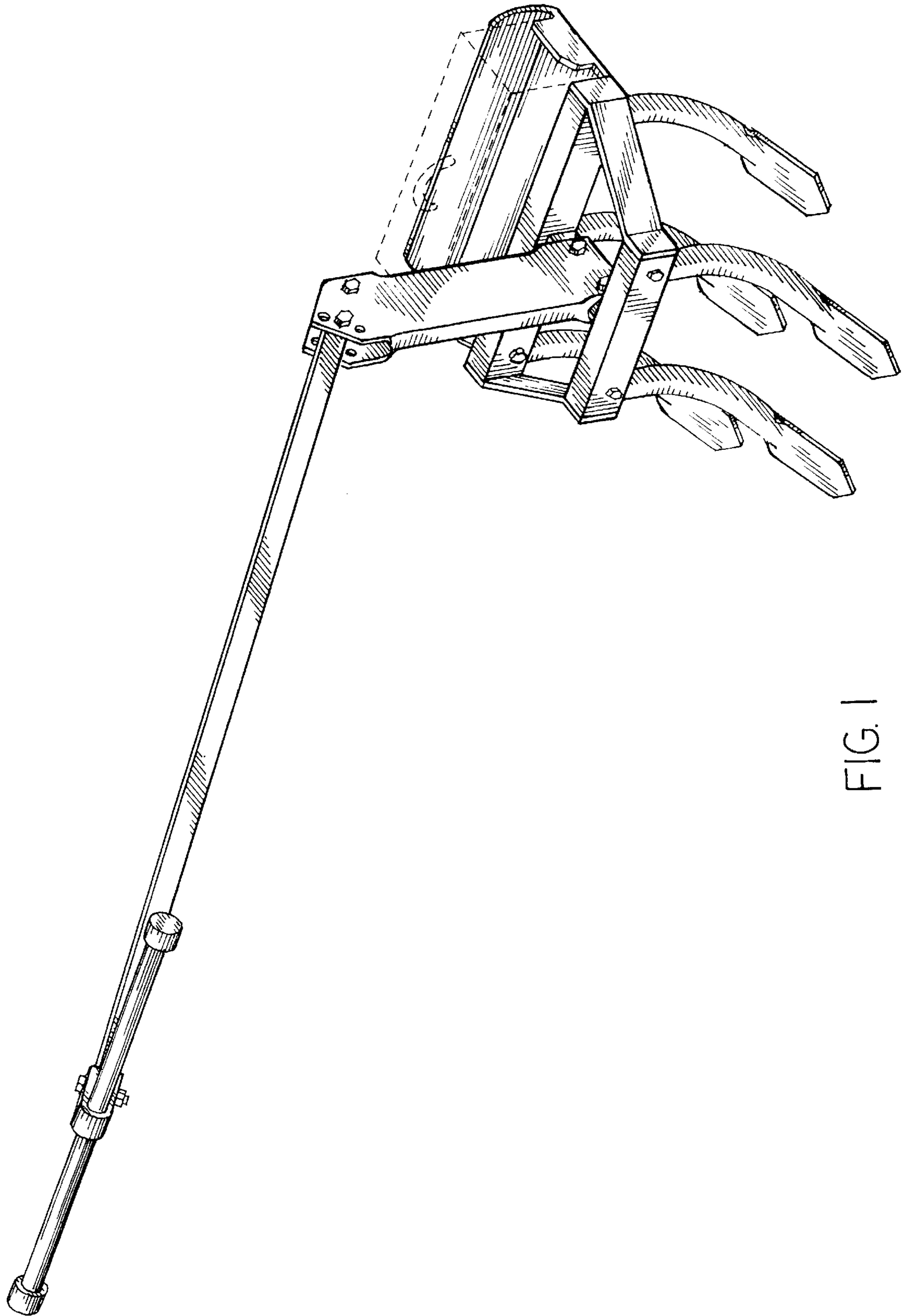


FIG. 1

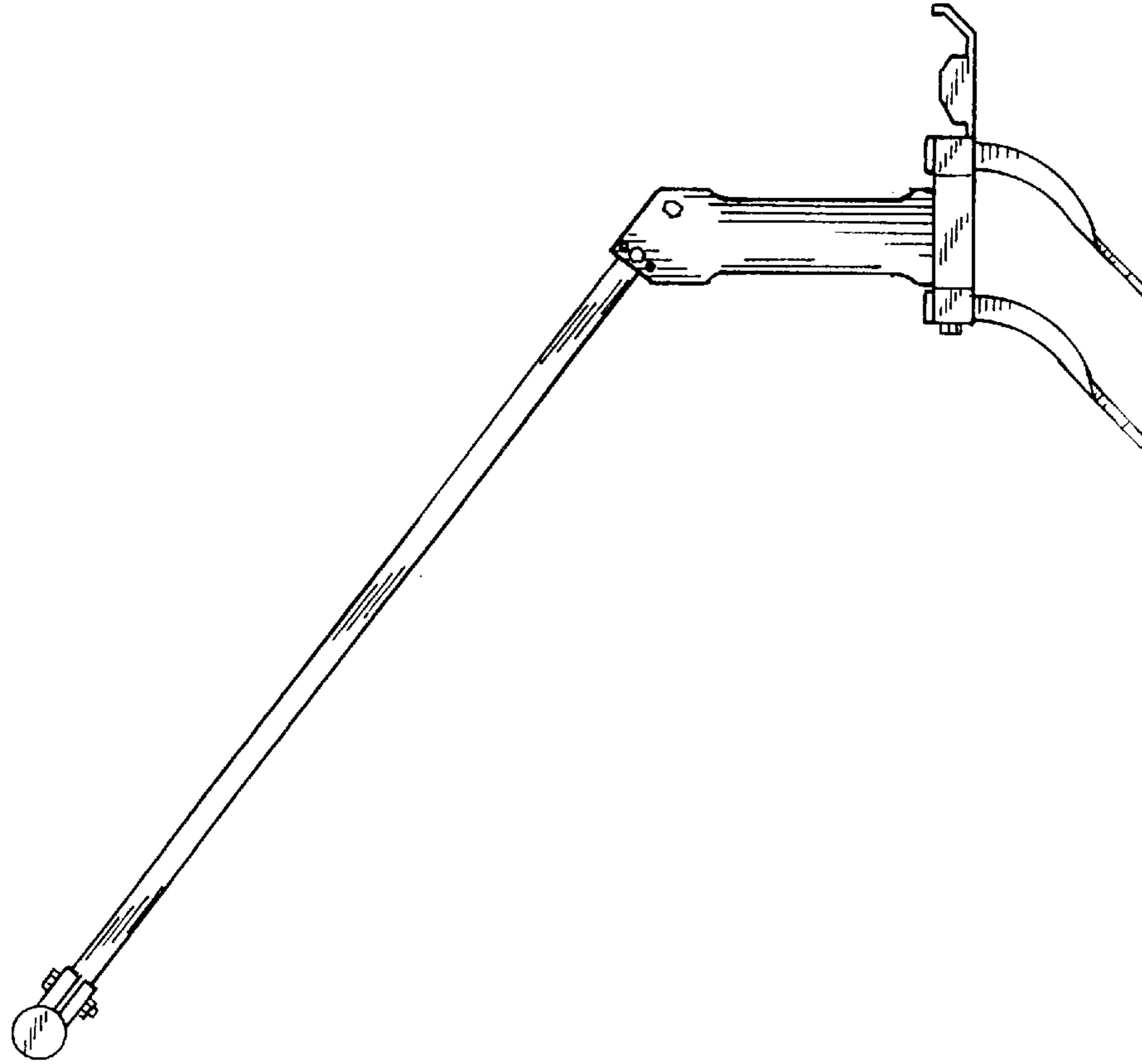


FIG. 3

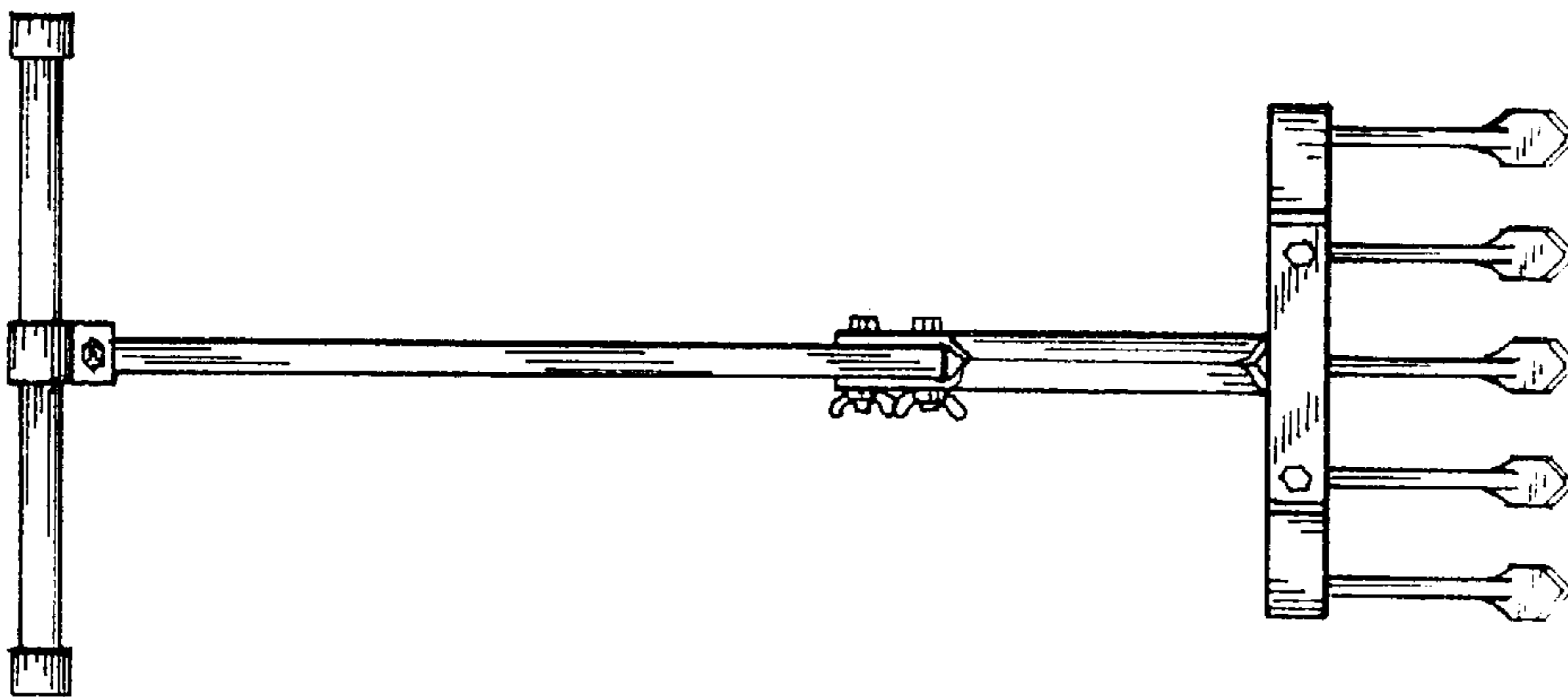


FIG. 2

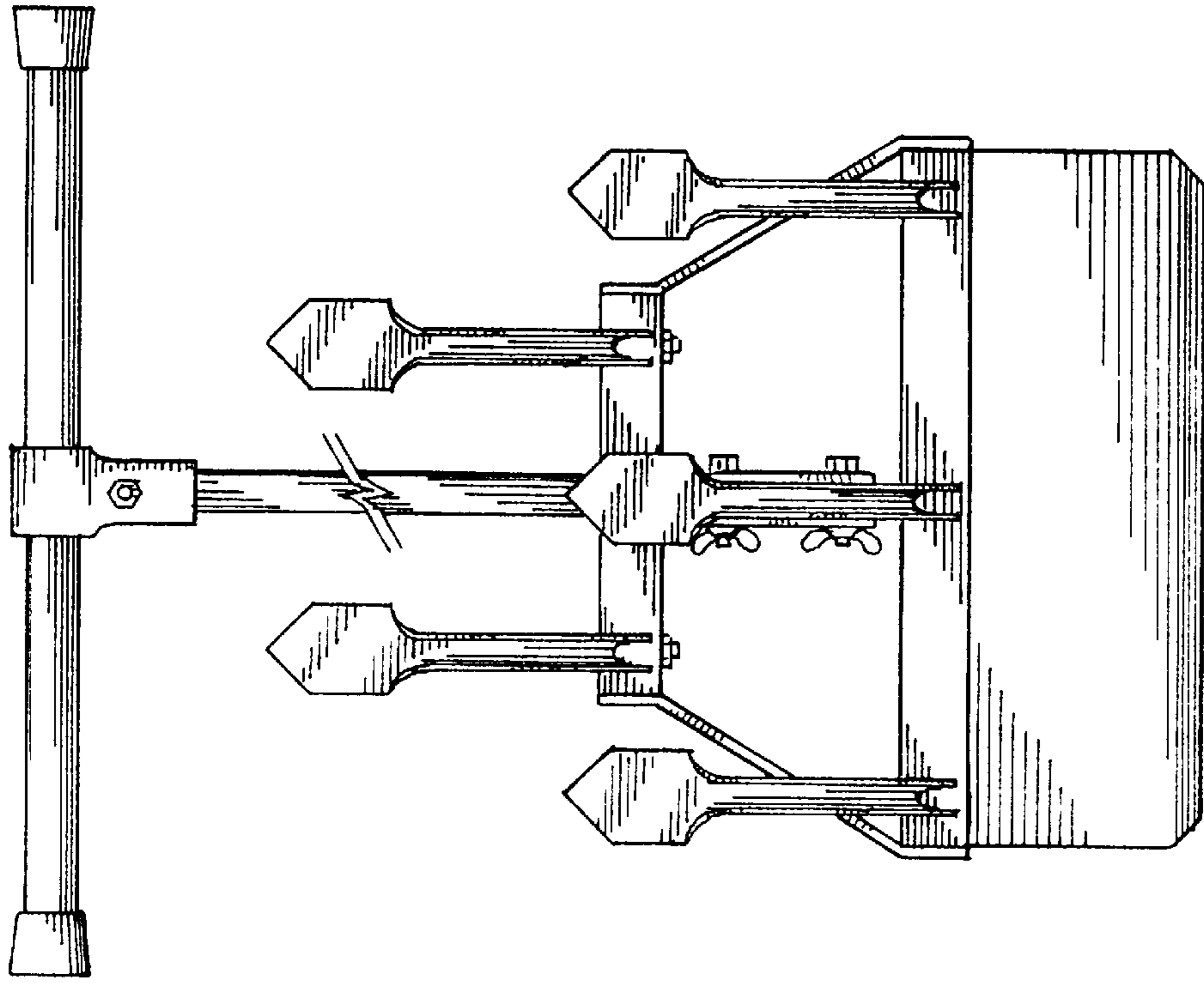


FIG. 5

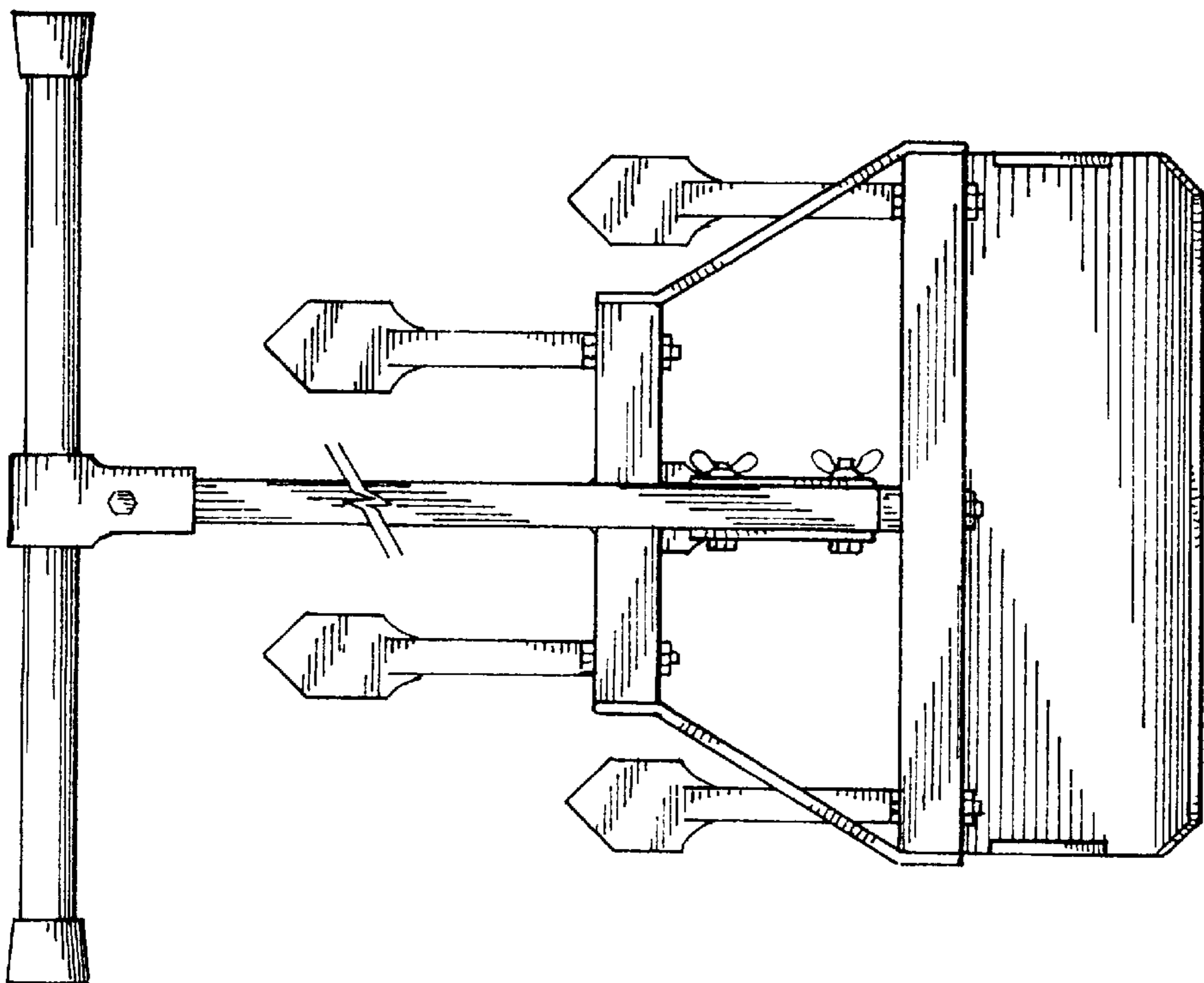


FIG. 4