



US00D405326S

United States Patent [19]

Bounds et al.

[11] **Patent Number: Des. 405,326**

[45] **Date of Patent: **Feb. 9, 1999**

[54] **CONDIMENT MILL**

D. 289,486 4/1987 Bounds D7/679 X
D. 304,278 10/1989 Bounds D7/679

[76] Inventors: **William E. Bounds**, deceased, late of Torrance, Calif.; by **Helen J. Bounds**, P.O. Box 1547, Torrance, Calif. 90505

Primary Examiner—Sandra L. Morris
Attorney, Agent, or Firm—Edward A. Sokolski

[**] Term: **14 Years**

[57] CLAIM

[21] Appl. No.: **52,473**

The ornamental design for a condiment mill, as shown and described.

[22] Filed: **Apr. 1, 1996**

DESCRIPTION

[51] **LOC (6) Cl.** **07-04**

[52] **U.S. Cl.** **D7/679**

[58] **Field of Search** D7/679, 590-597; 222/142.1-142.9; 241/168, 169, 169.1

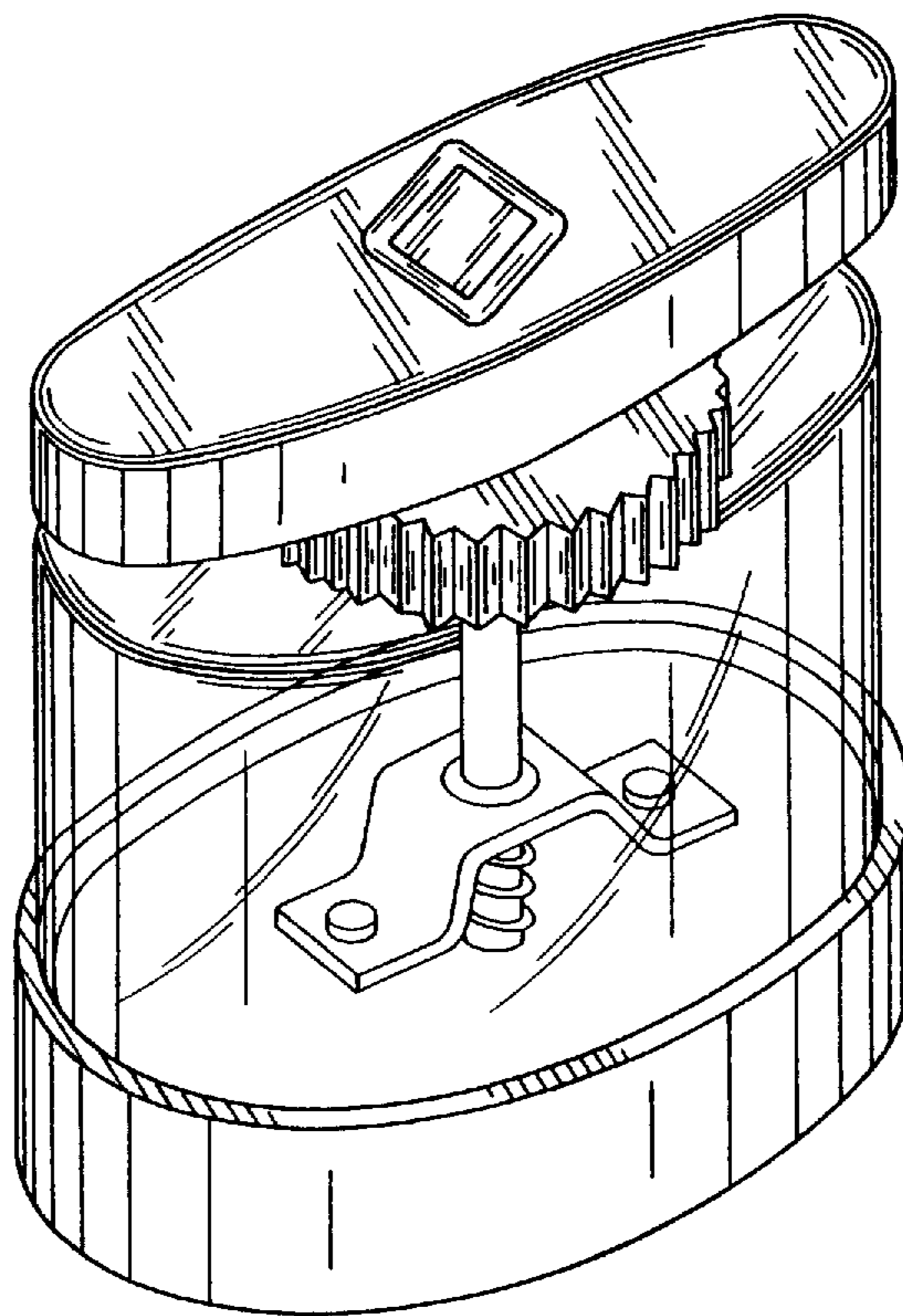
FIG. 1 is a top plan view of a condiment mill showing my new design;
FIG. 2 is a right side elevational view thereof;
FIG. 3 is a front elevational view thereof;
FIG. 4 is a left side elevational view thereof;
FIG. 5 is a bottom plan view thereof; and,
FIG. 6 is a top perspective view thereof.

[56] References Cited

U.S. PATENT DOCUMENTS

D. 287,088 12/1986 Bounds D7/679
D. 287,209 12/1986 Bounds D7/679

1 Claim, 2 Drawing Sheets



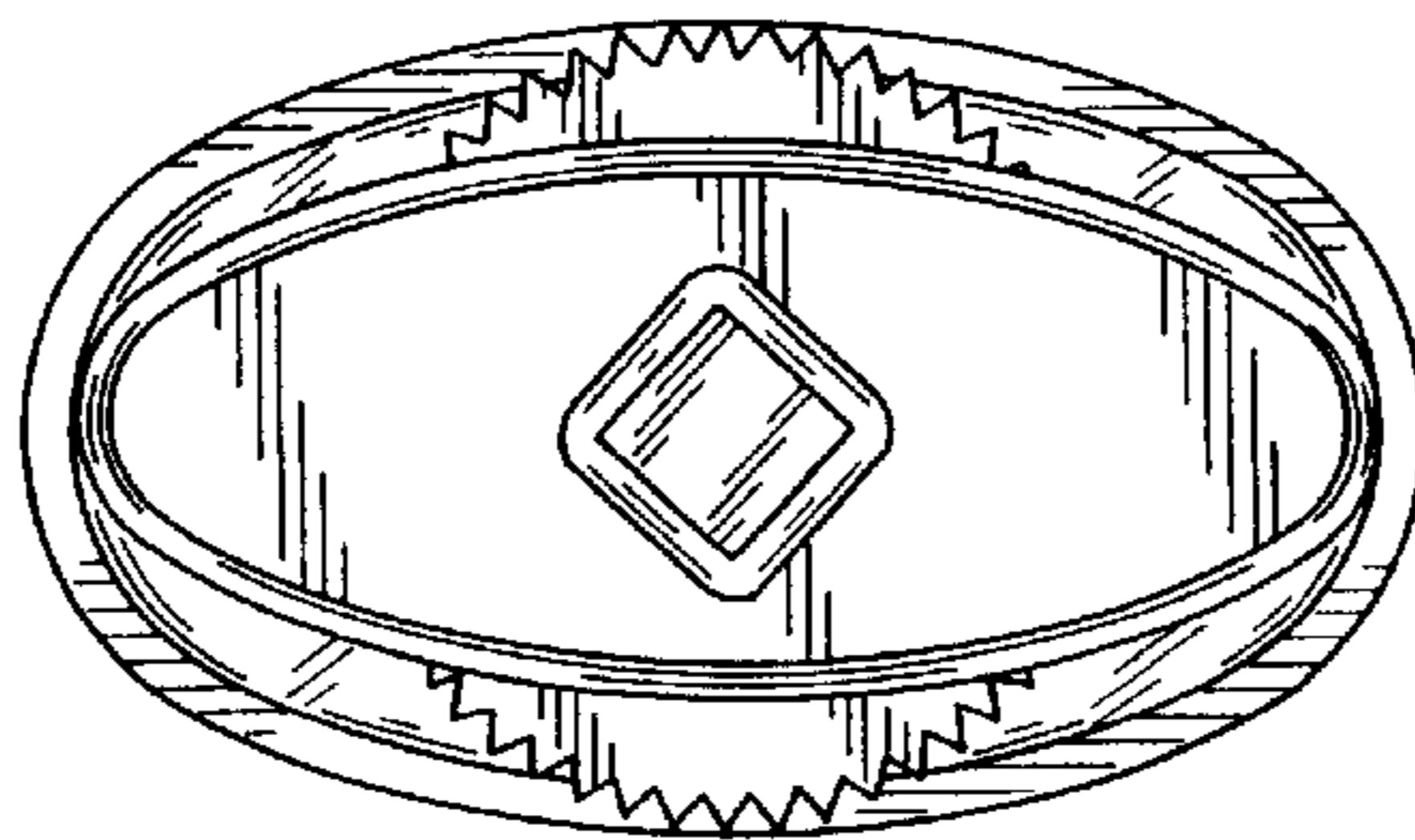


FIG. 1

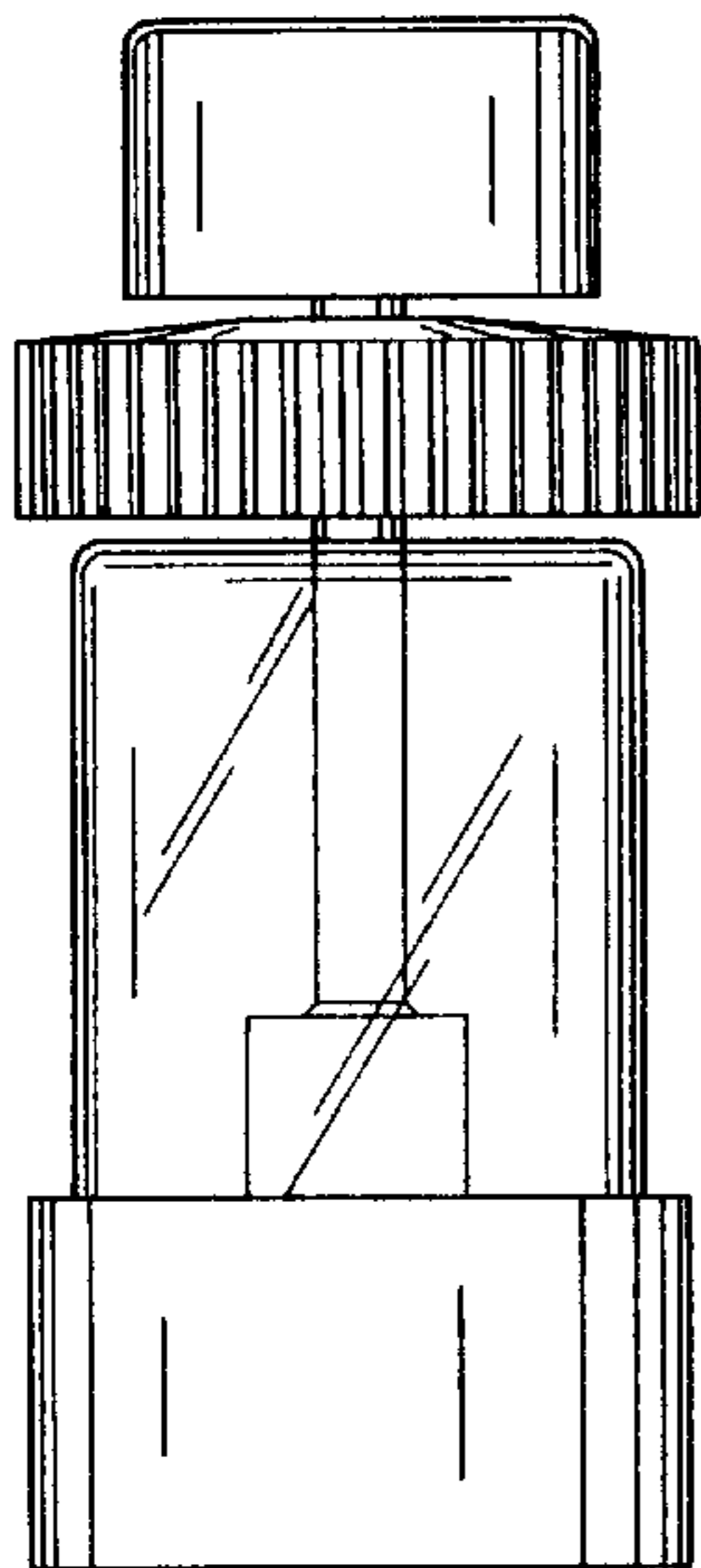


FIG. 2

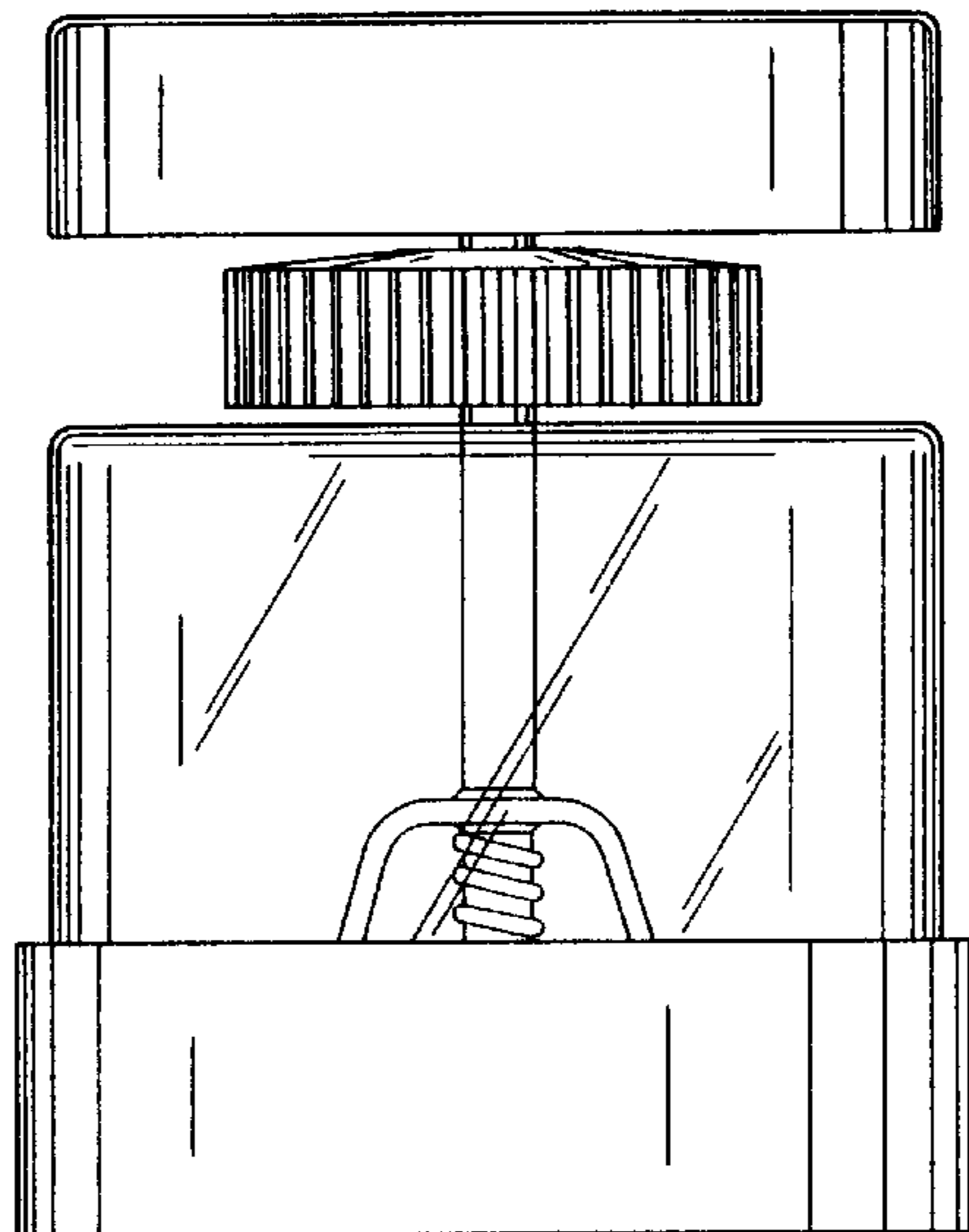


FIG. 3

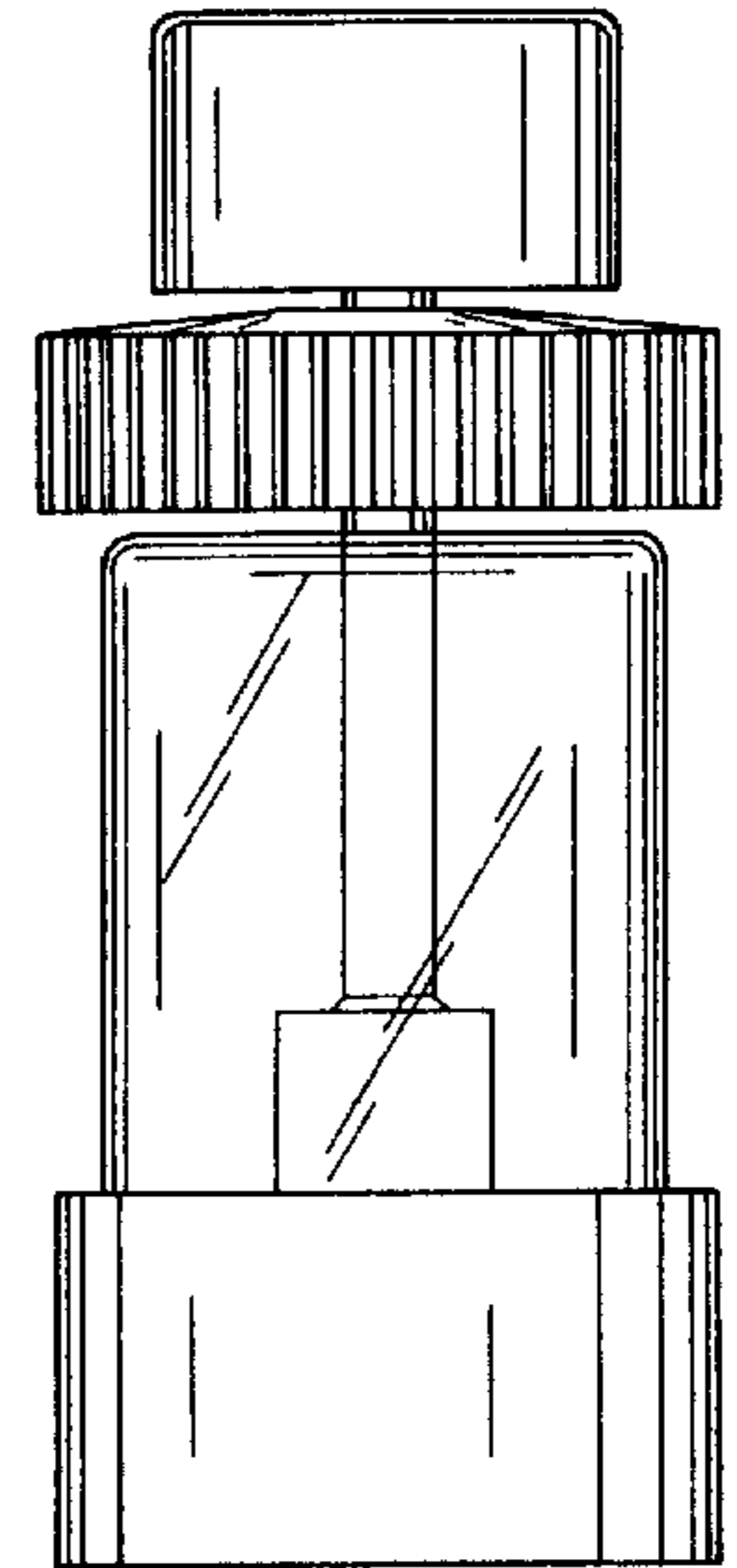


FIG. 4

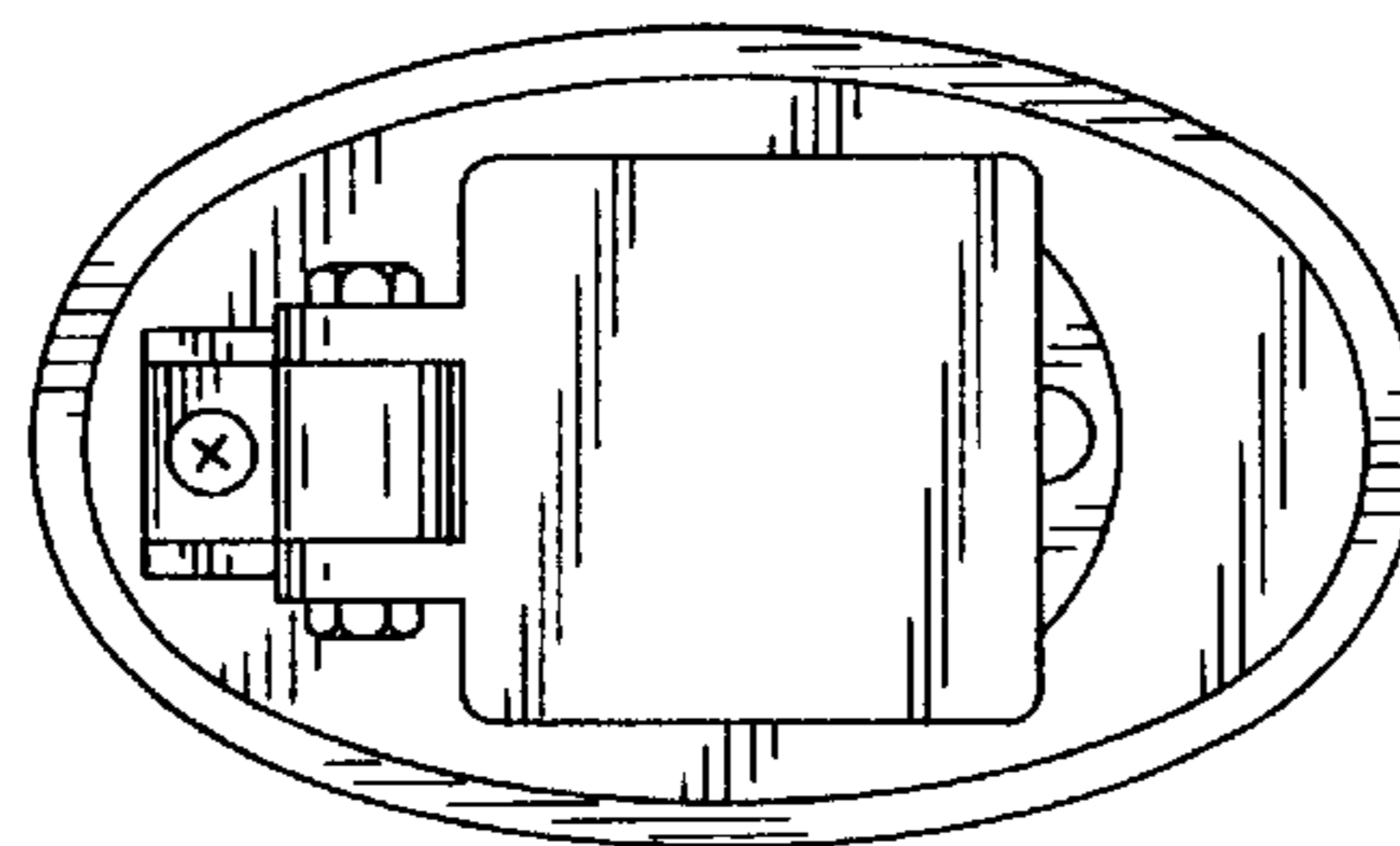


FIG. 5

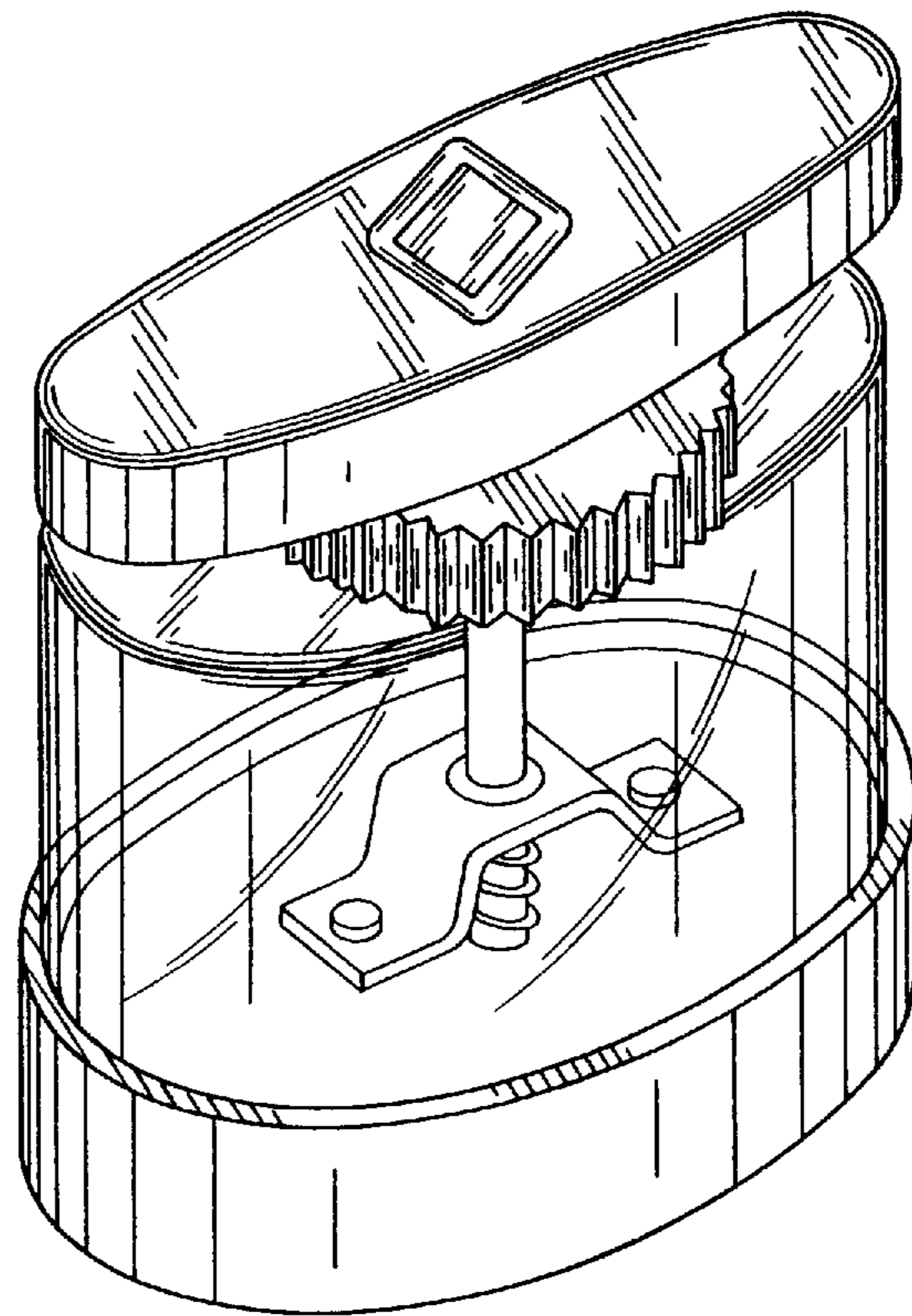


FIG. 6