



US00D405324S

United States Patent [19] Tisdale

[11] **Patent Number: Des. 405,324**

[45] **Date of Patent: **Feb. 9, 1999**

[54] **COMBINED NAPKIN, SALT AND PEPPER HOLDER**

[75] Inventor: **David W. Tisdale**, Southport, Conn.

[73] Assignee: **M. Kamenstein, Inc.**, Elmsford, N.Y.

[**] Term: **14 Years**

[21] Appl. No.: **85,961**

[22] Filed: **Apr. 2, 1998**

[51] **LOC (6) Cl.** **07-06**

[52] **U.S. Cl.** **D7/632; D7/592**

[58] **Field of Search** **D7/590, 591, 592, D7/631, 632; D9/526; 211/13.1, 45, 49.1, 50, 74**

[56] **References Cited**

U.S. PATENT DOCUMENTS

- D. 104,167 4/1937 Mackelfresh, Jr. D7/597
- D. 164,892 10/1951 Baker D7/592
- D. 165,744 1/1952 Fishman D7/590

OTHER PUBLICATIONS

Glassware Catalog—H, p. 13, F60—Crystal Display Jar (Anchor Hocking).

Primary Examiner—Terry A. Wallace
Attorney, Agent, or Firm—Robert A. Koons, Jr.; James W. Bolcsak

[57] **CLAIM**

The ornamental design for a combined napkin, salt and pepper holder, as shown and described.

DESCRIPTION

FIG. 1 is a perspective view of a combined napkin, salt and pepper holder showing my new design; FIG. 2 is a right side elevation view thereof; the opposite side being a mirror image; FIG. 3 is a top plan view thereof; FIG. 4 is a front elevation view thereof, the opposite side being a mirror image; and, FIG. 5 is a bottom plan view thereof.

1 Claim, 3 Drawing Sheets

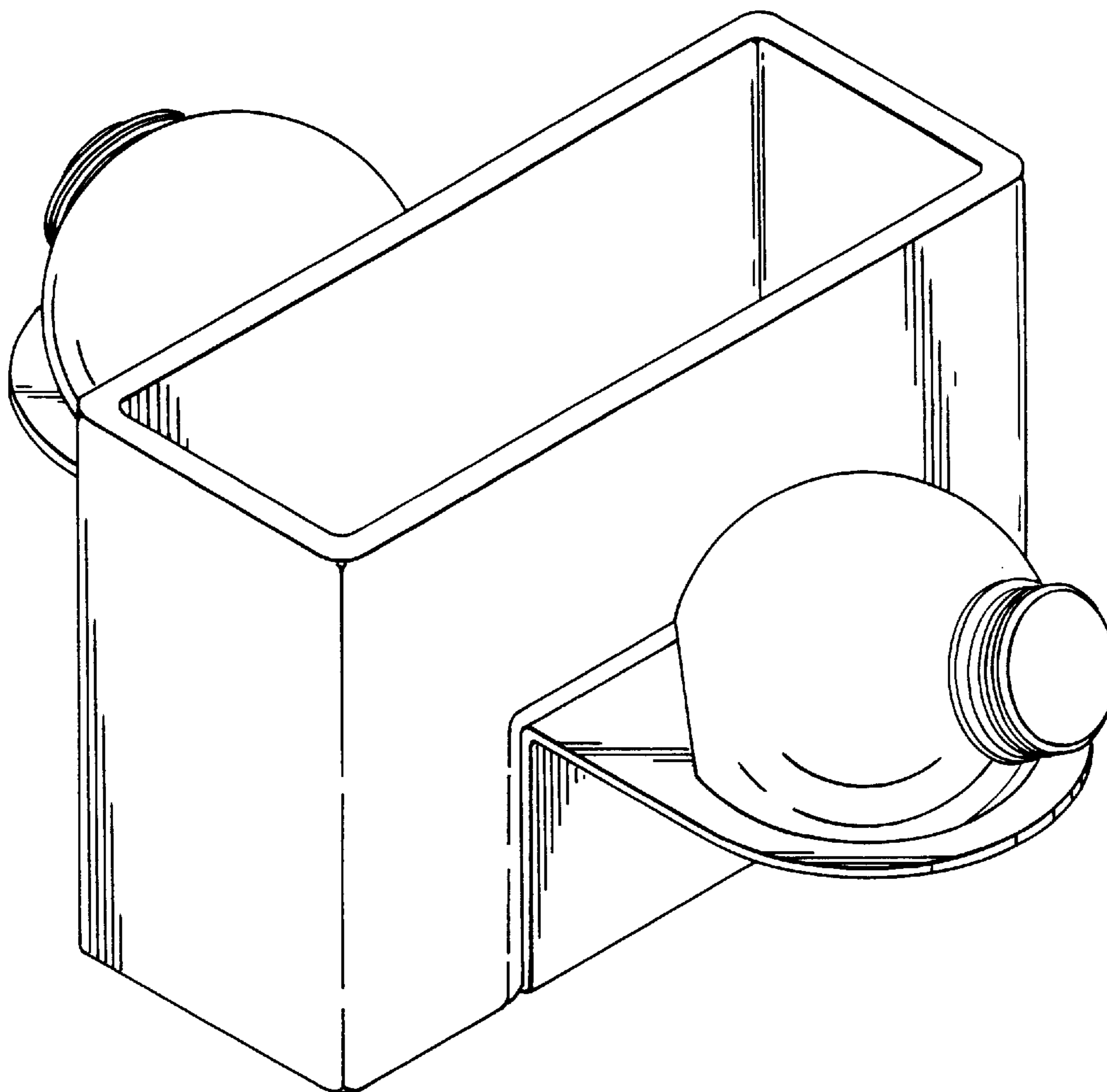


FIG. 1

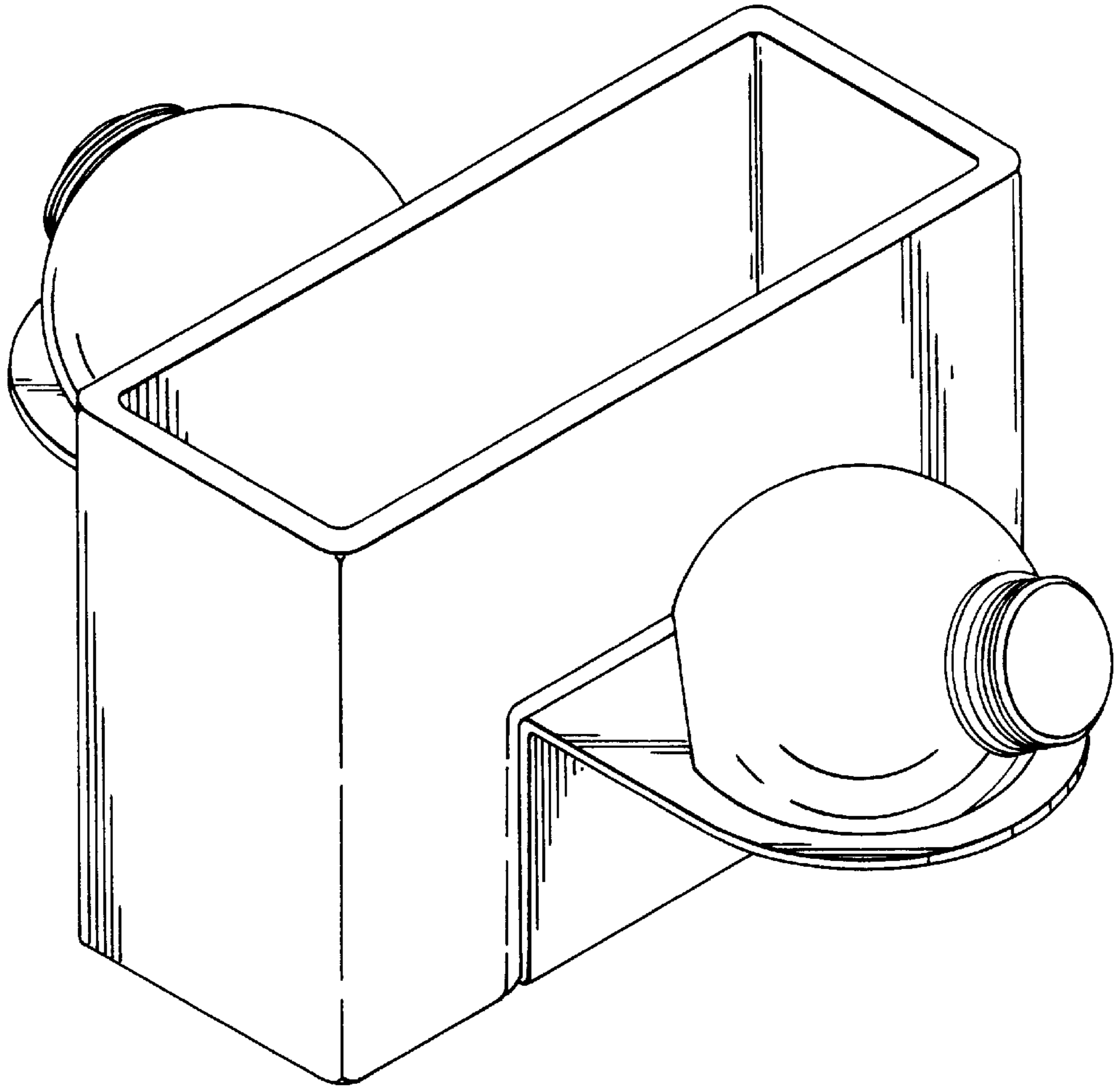


FIG. 2

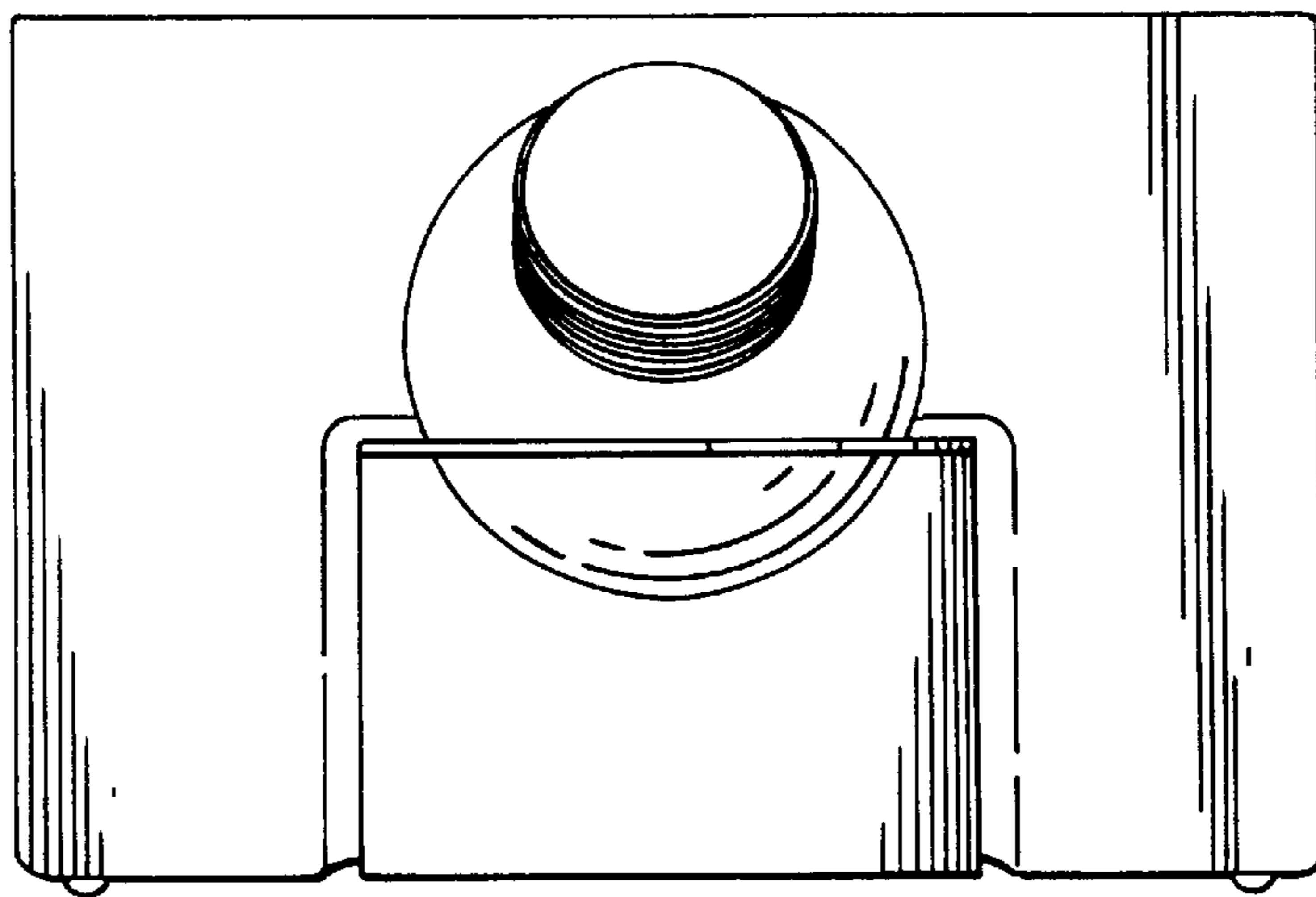


FIG. 3

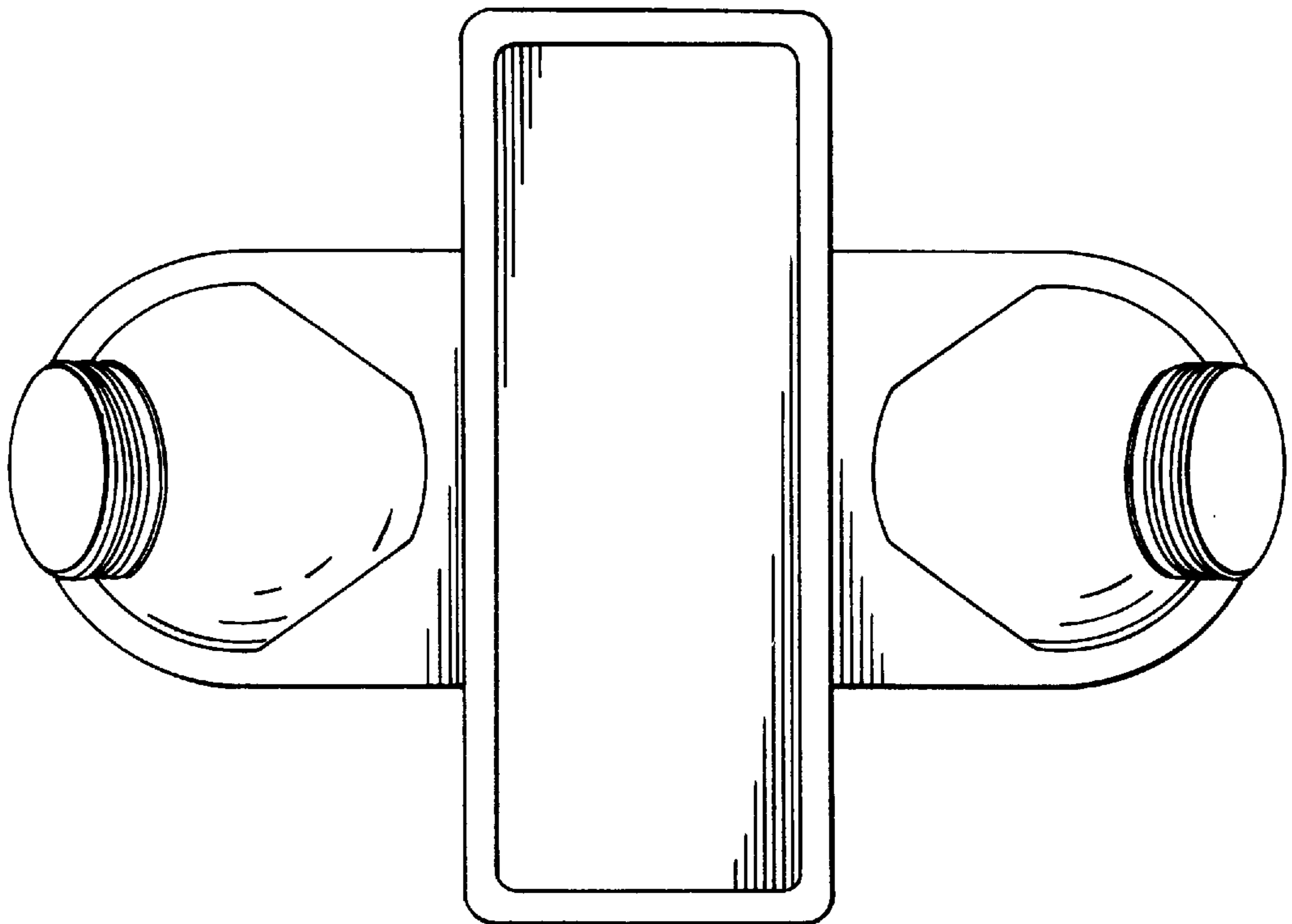


FIG. 4

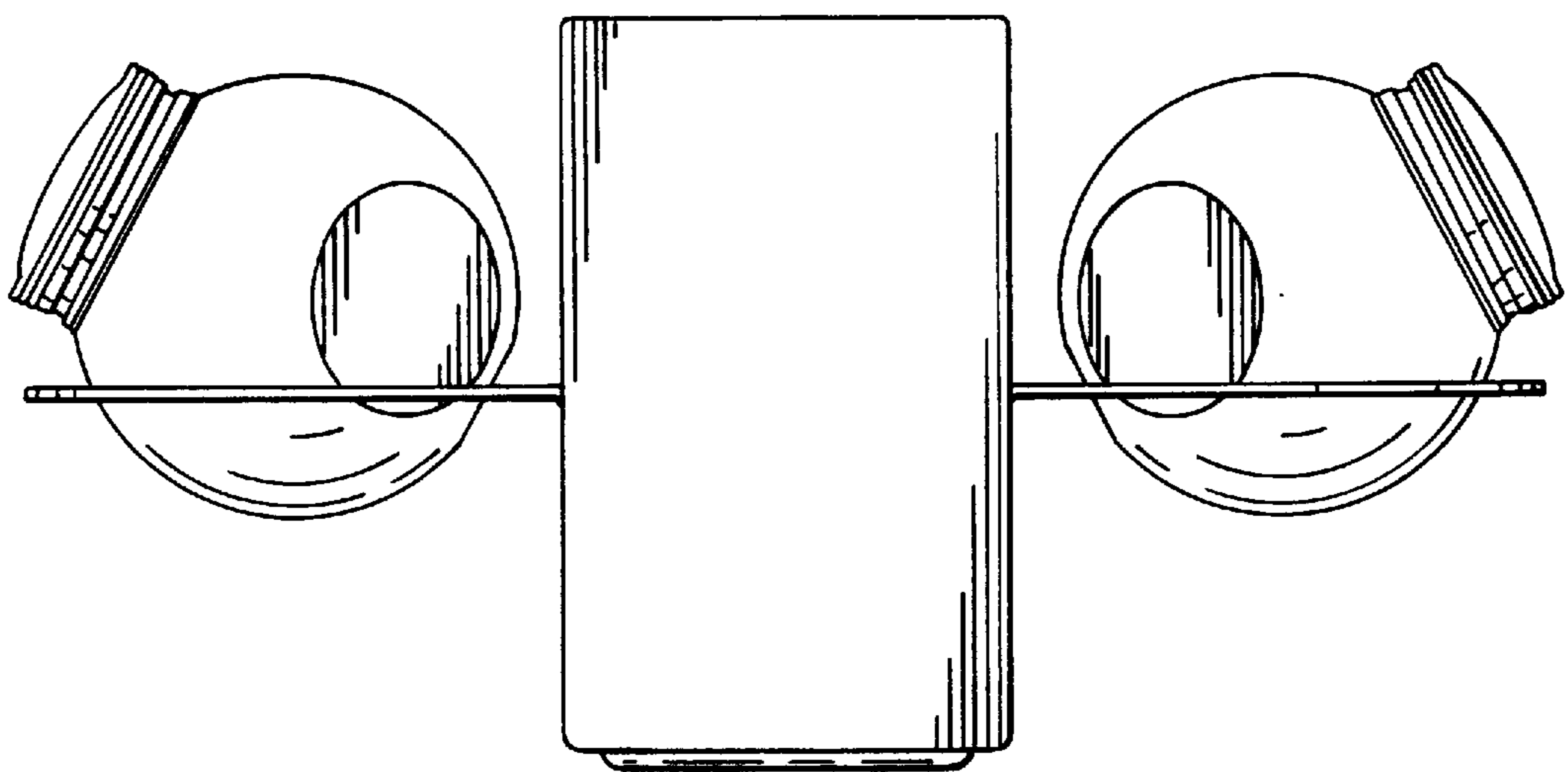


FIG. 5

