



US00D405321S

**United States Patent** [19]  
**Martorana**

[11] **Patent Number: Des. 405,321**  
[45] **Date of Patent: \*\*Feb. 9, 1999**

[54] **2 LITER HOLDER**

[76] Inventor: **Sal Martorana**, 17919 Saticoy St.,  
Reseda, Calif. 91335

[\*\*] Term: **14 Years**

[21] Appl. No.: **21,654**

[22] Filed: **Apr. 21, 1994**

**Related U.S. Application Data**

[63] Continuation of Ser. No. 4,277, Feb. 1, 1993, abandoned.

[51] **LOC (6) Cl.** ..... **07-06**

[52] **U.S. Cl.** ..... **D7/622**

[58] **Field of Search** ..... D7/619, 622, 624;  
215/392-399; 220/737, 741, 742; 248/311.2;  
294/28

[56] **References Cited**

**U.S. PATENT DOCUMENTS**

- D. 88,100 10/1932 Lehman ..... D7/622
- D. 309,072 7/1990 Golkar ..... D7/622
- 4,660,876 4/1987 Weldin et al. .

- 4,881,736 11/1989 Fox .
- 4,917,428 4/1990 Sola .
- 4,936,614 6/1990 Russell .
- 4,941,624 7/1990 Schuster .
- 5,183,169 2/1993 Grzych ..... 220/741 X

**OTHER PUBLICATIONS**

Brochure distributed by American Inventors Corporation approximately during Apr. 1993.

*Primary Examiner*—Terry A. Wallace

[57] **CLAIM**

The ornamental design for a 2 liter holder, as shown and described.

**DESCRIPTION**

FIG. 1 is a front elevational view of the 2 liter holder showing a use of my new design;  
FIG. 2 is a rear elevational view thereof;  
FIG. 3 is a left side elevational view thereof;  
FIG. 4 is a right side elevational view thereof;  
FIG. 5 is a top plan view thereof; and,  
FIG. 6 is a bottom plan view thereof.

**1 Claim, 3 Drawing Sheets**

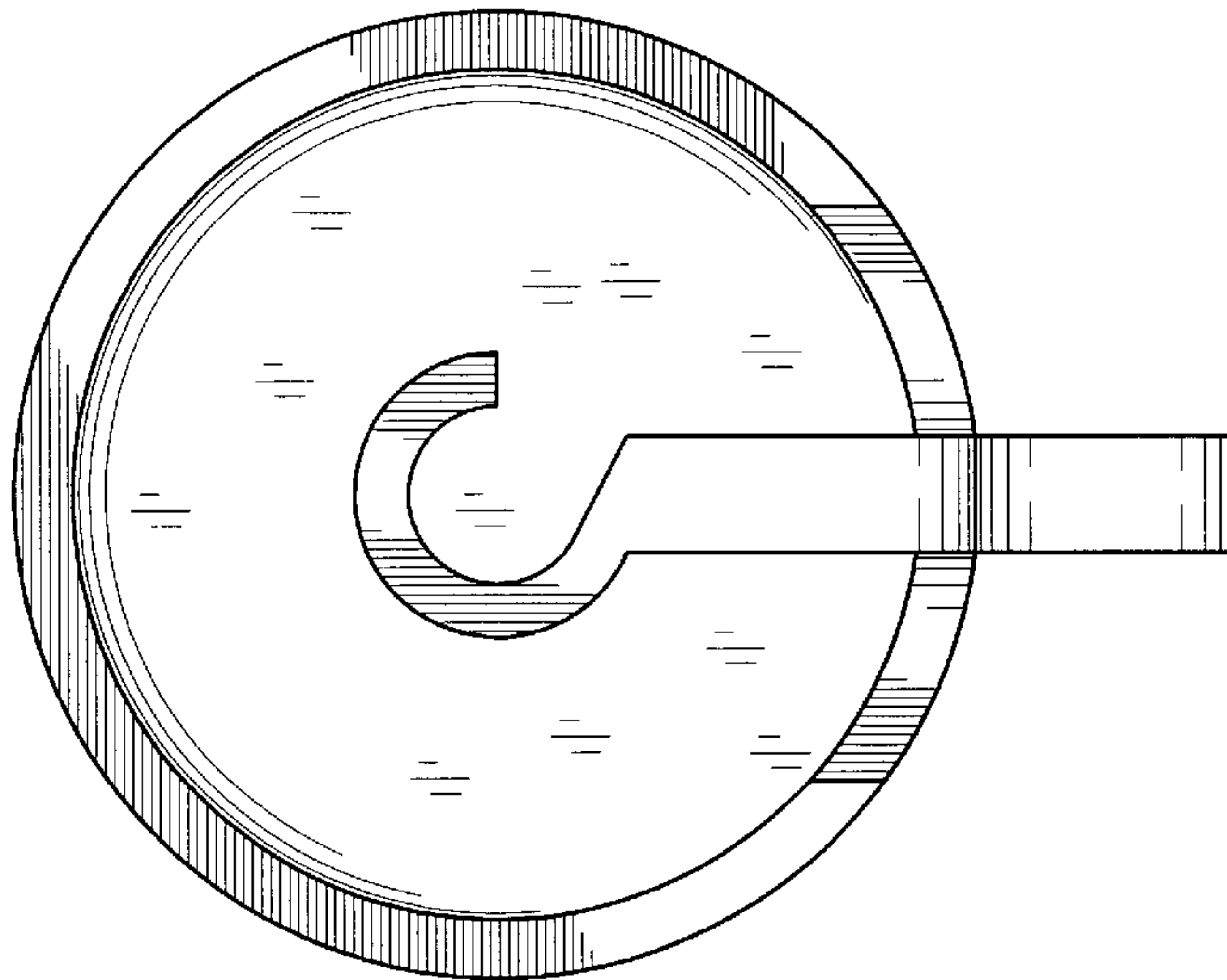
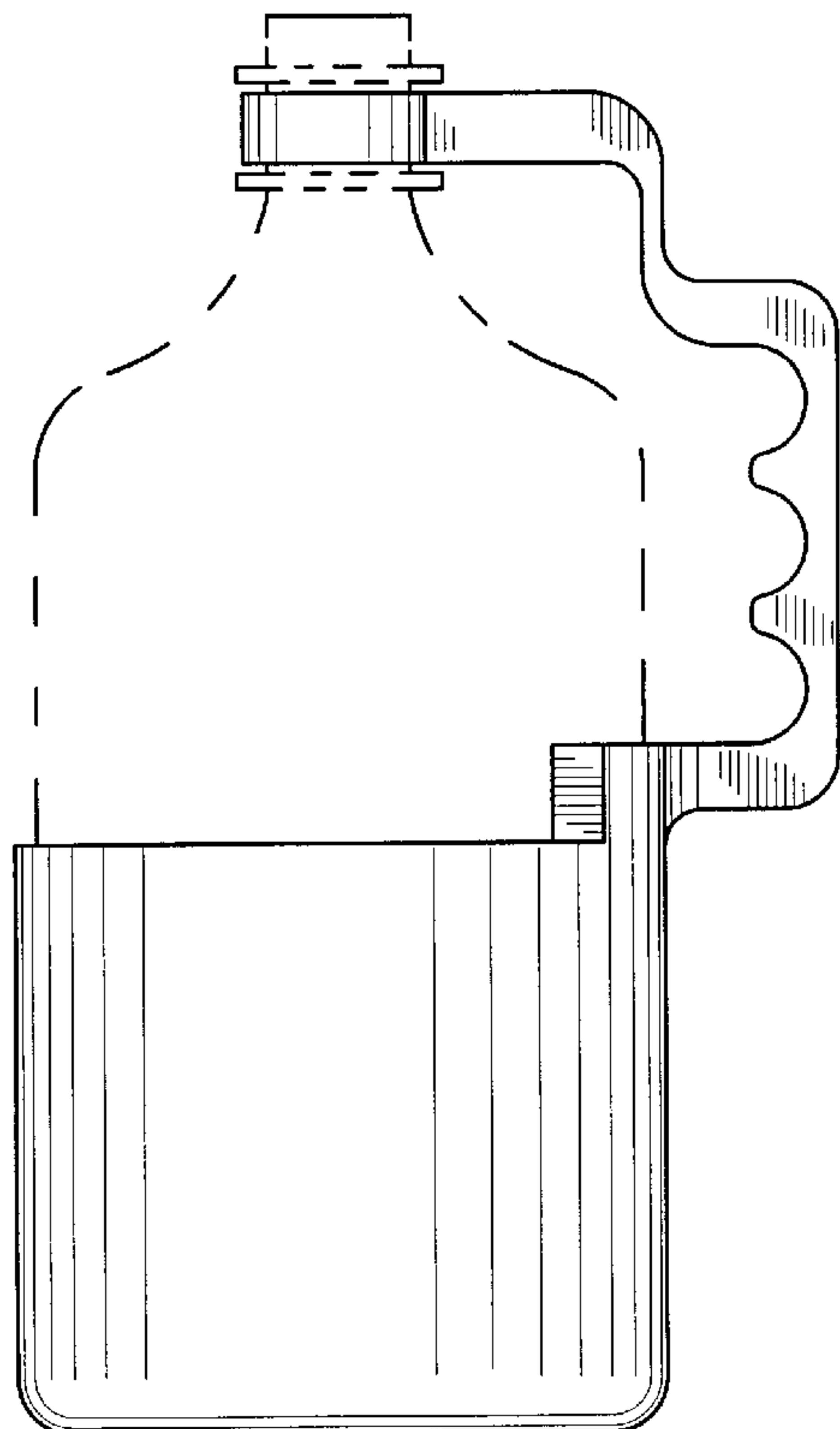


FIG. 1

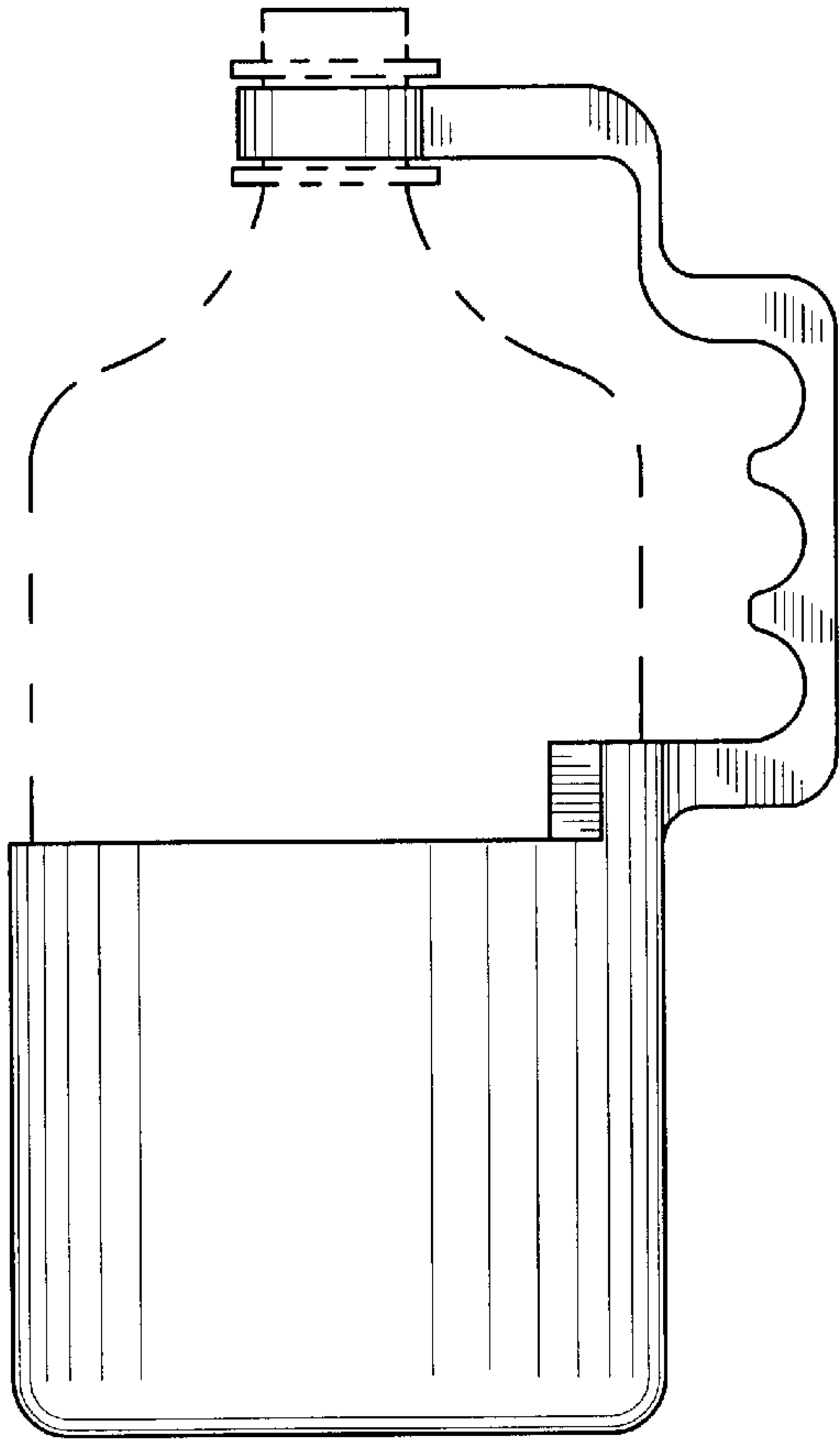
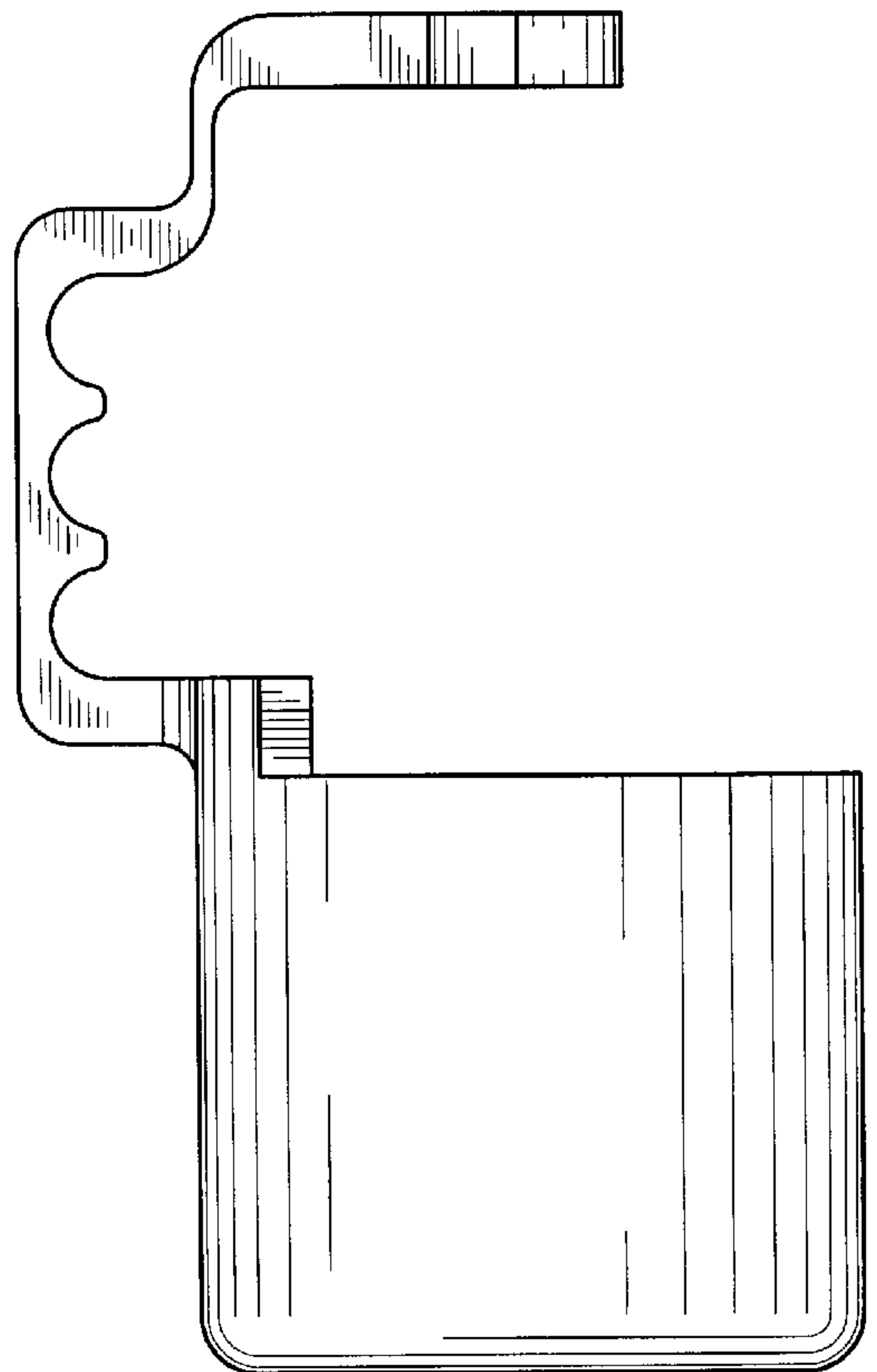
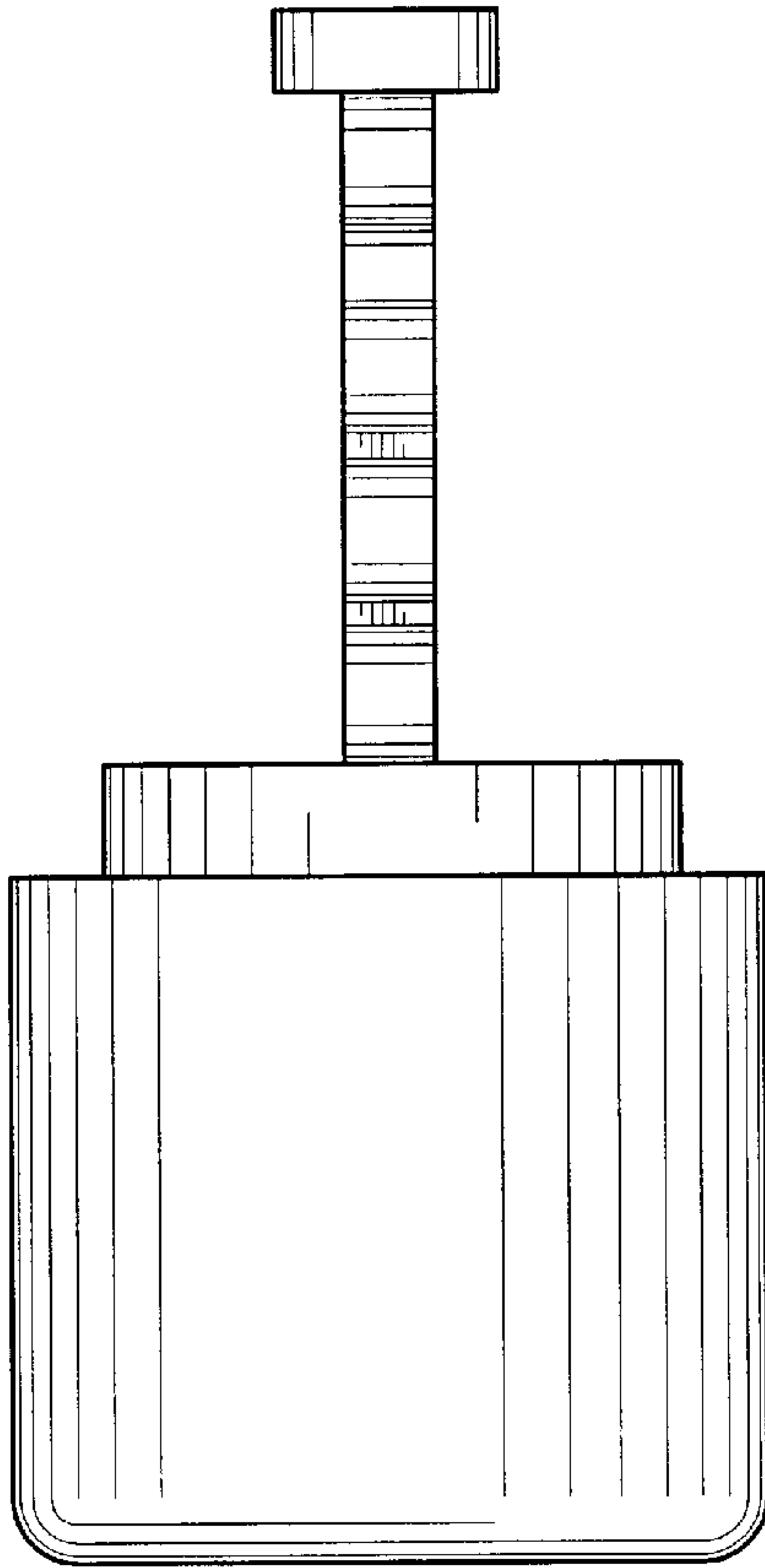


FIG. 2



*FIG. 3*



*FIG. 4*

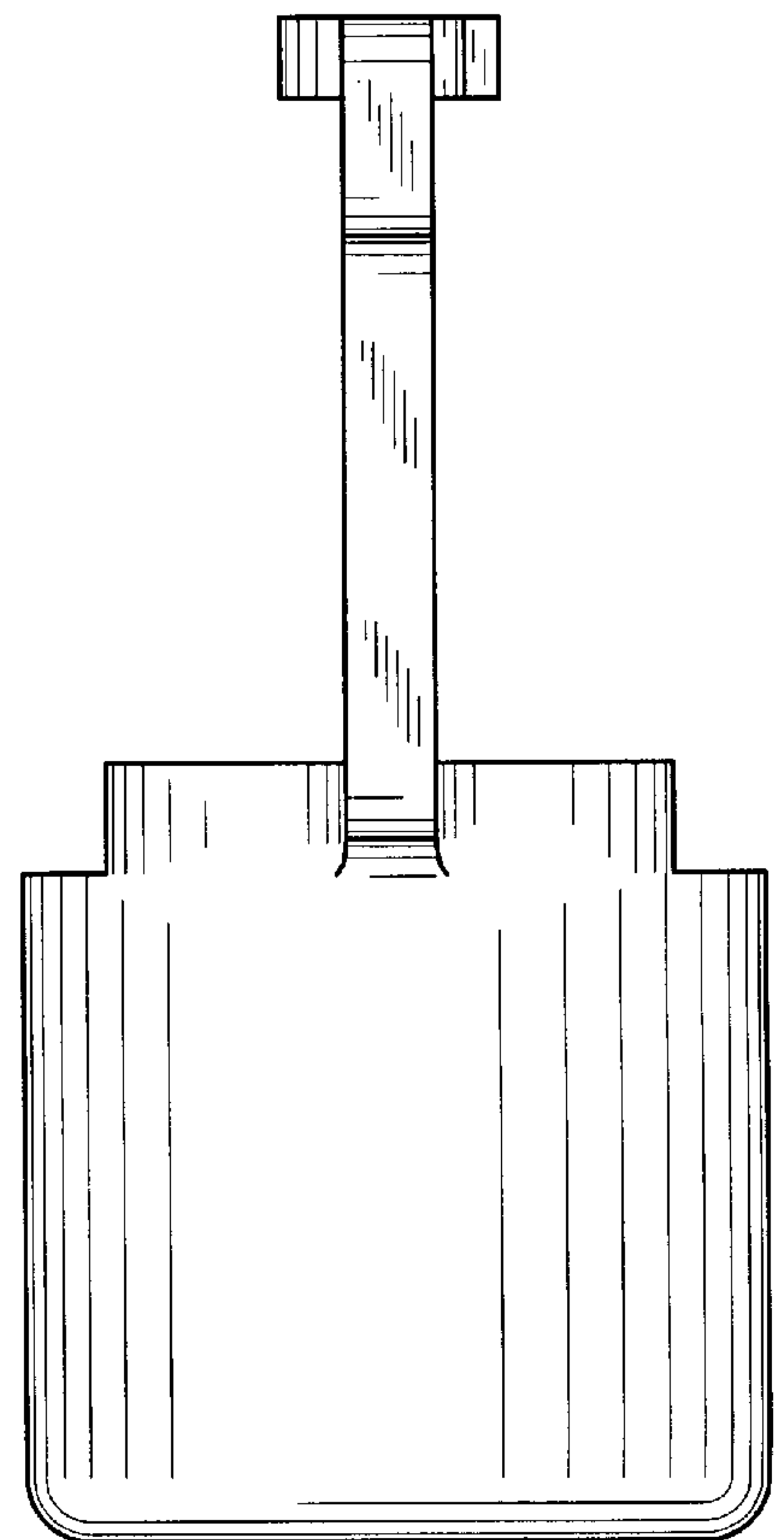


FIG. 5

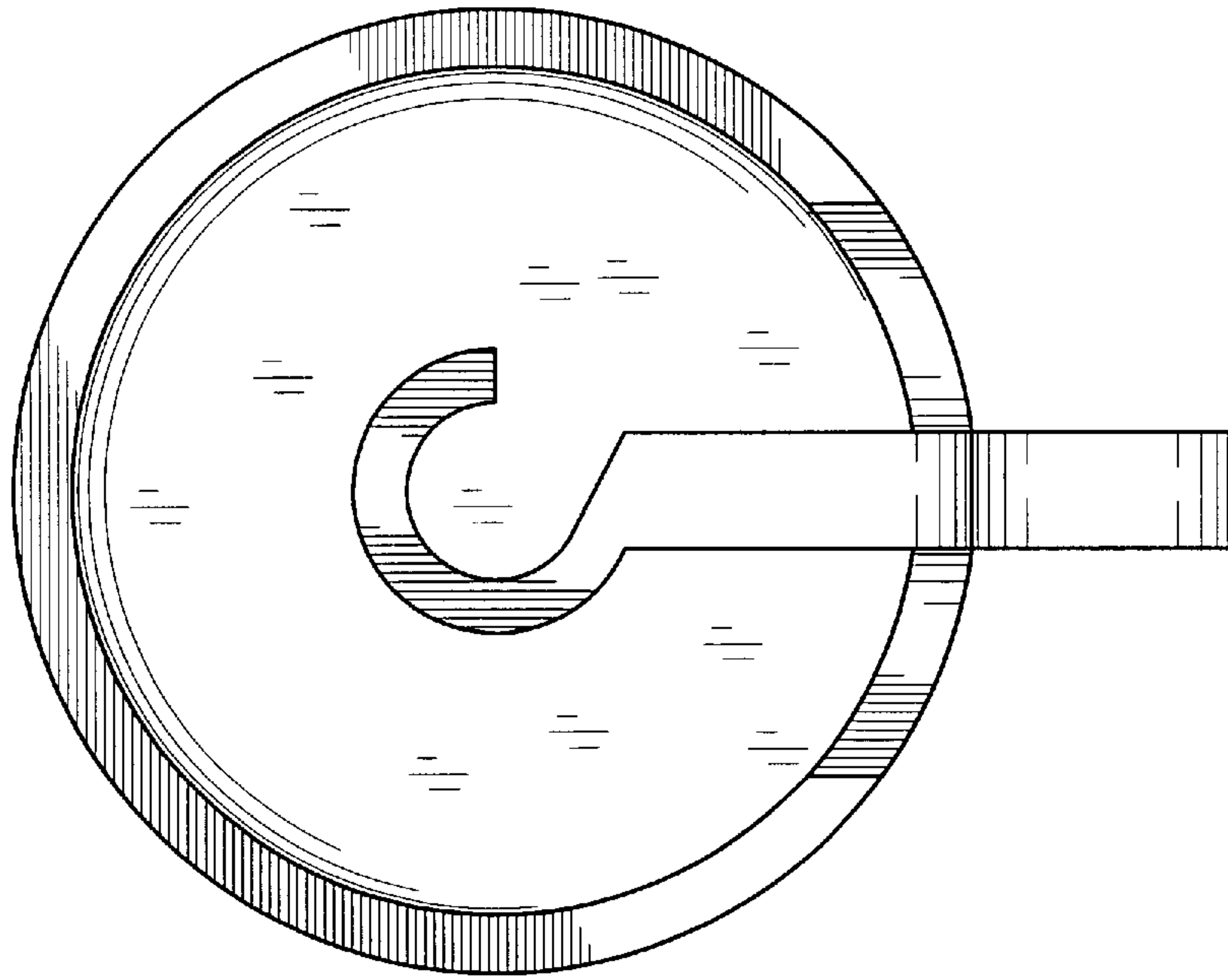


FIG. 6

