



US00D405320S

**United States Patent** [19]  
**Tisdale**

[11] **Patent Number: Des. 405,320**

[45] **Date of Patent: \*\*Feb. 9, 1999**

[54] **BREAD BOX**

[75] Inventor: **David W. Tisdale**, Southport, Conn.

[73] Assignee: **M. Kamenstein, Inc.**, Elmsford, N.Y.

[\*\*] Term: **14 Years**

[21] Appl. No.: **85,350**

[22] Filed: **Mar. 20, 1998**

[51] **LOC (6) Cl. .... 07-07**

[52] **U.S. Cl. .... D7/609**

[58] **Field of Search** ..... D7/609, 629; 220/252,  
220/334, 558, DIG. 13; 312/284, 328

[56] **References Cited**

**U.S. PATENT DOCUMENTS**

- D. 371,278 7/1996 Jorgensen ..... D7/609
- D. 372,399 8/1996 Wang ..... D7/609

*Primary Examiner*—Terry A. Wallace  
*Attorney, Agent, or Firm*—Robert A. Koons, Jr.; James W. Bolcsak

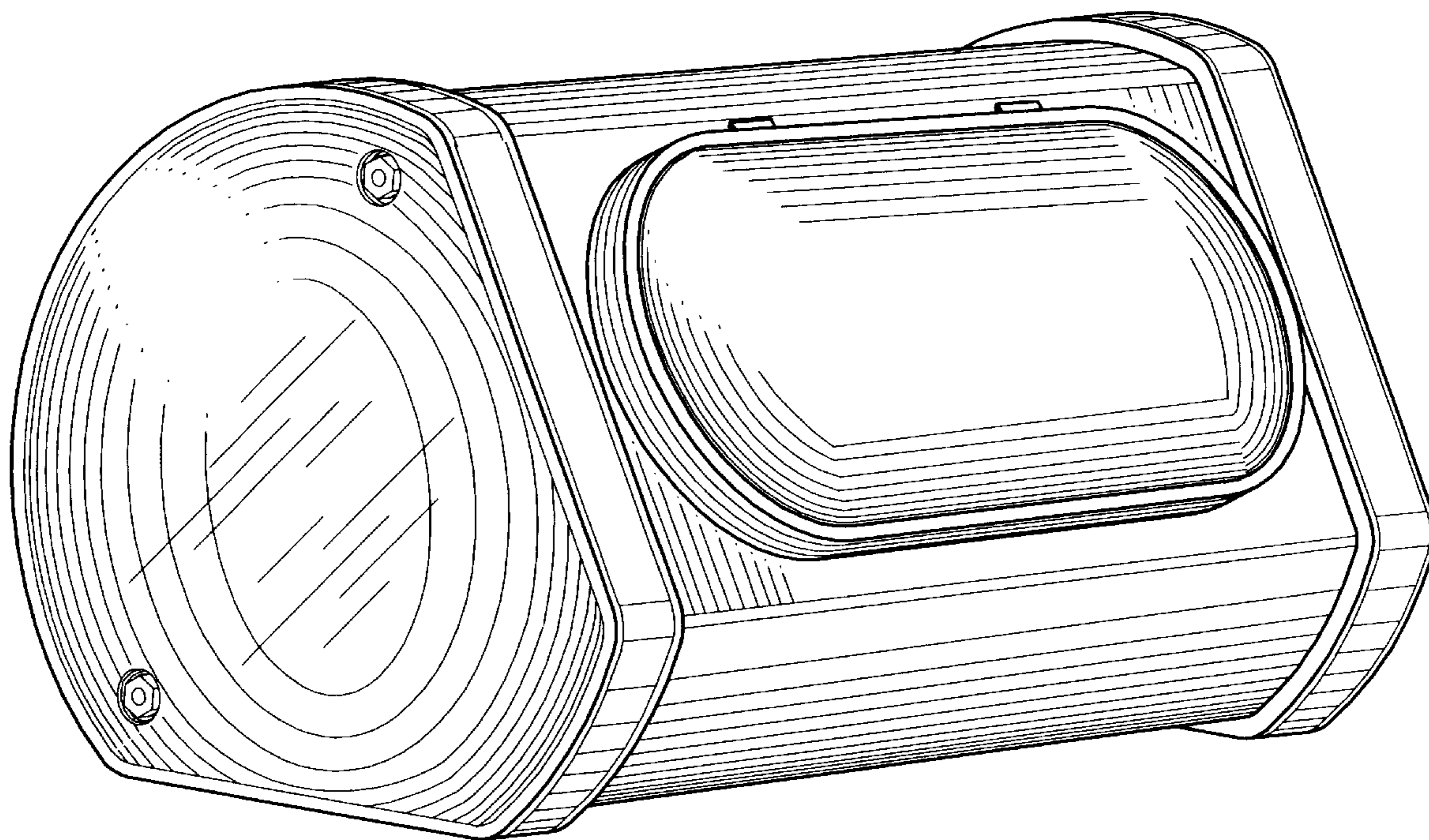
[57] **CLAIM**

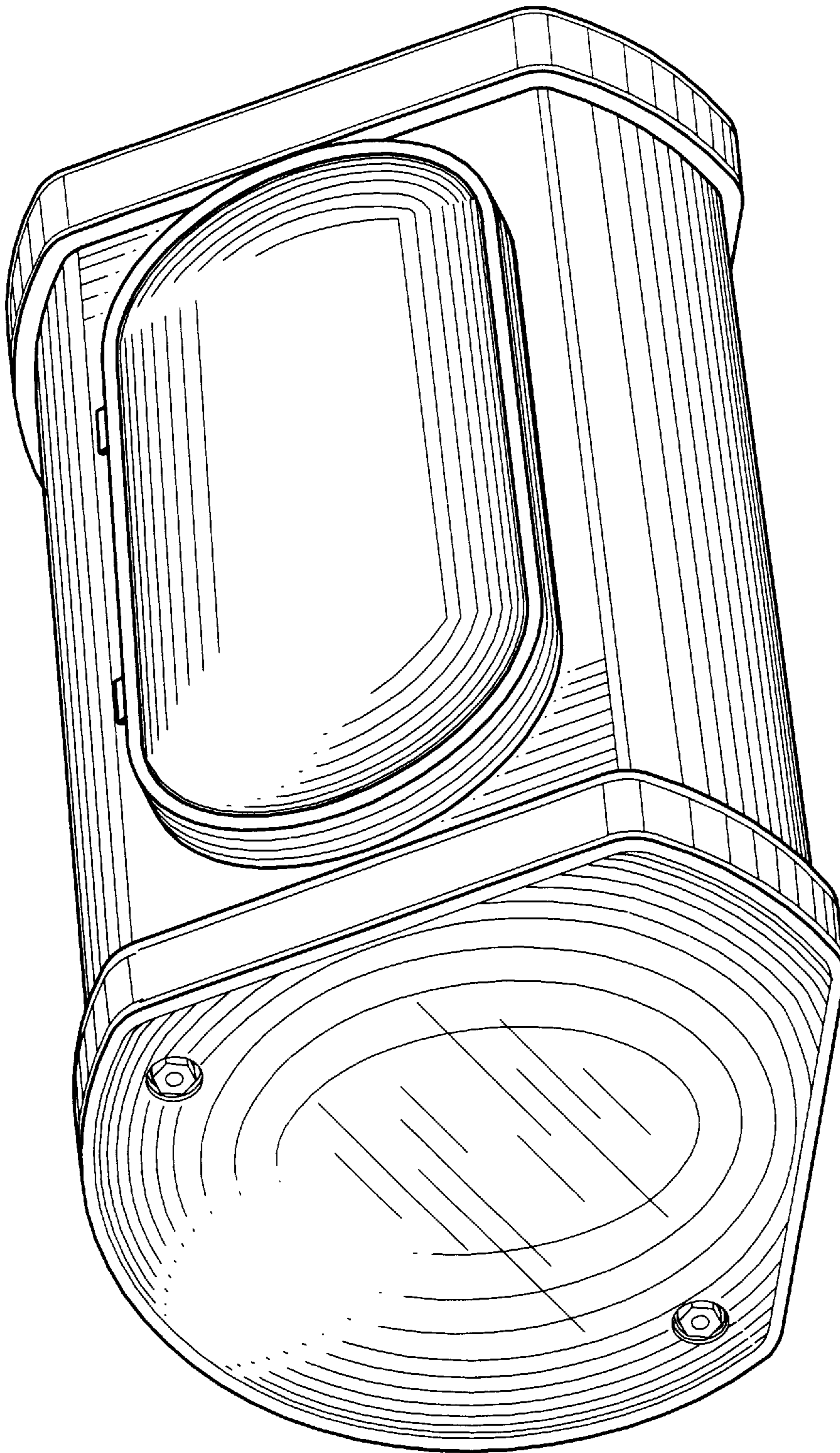
The ornamental design for a bread box, as shown and described.

**DESCRIPTION**

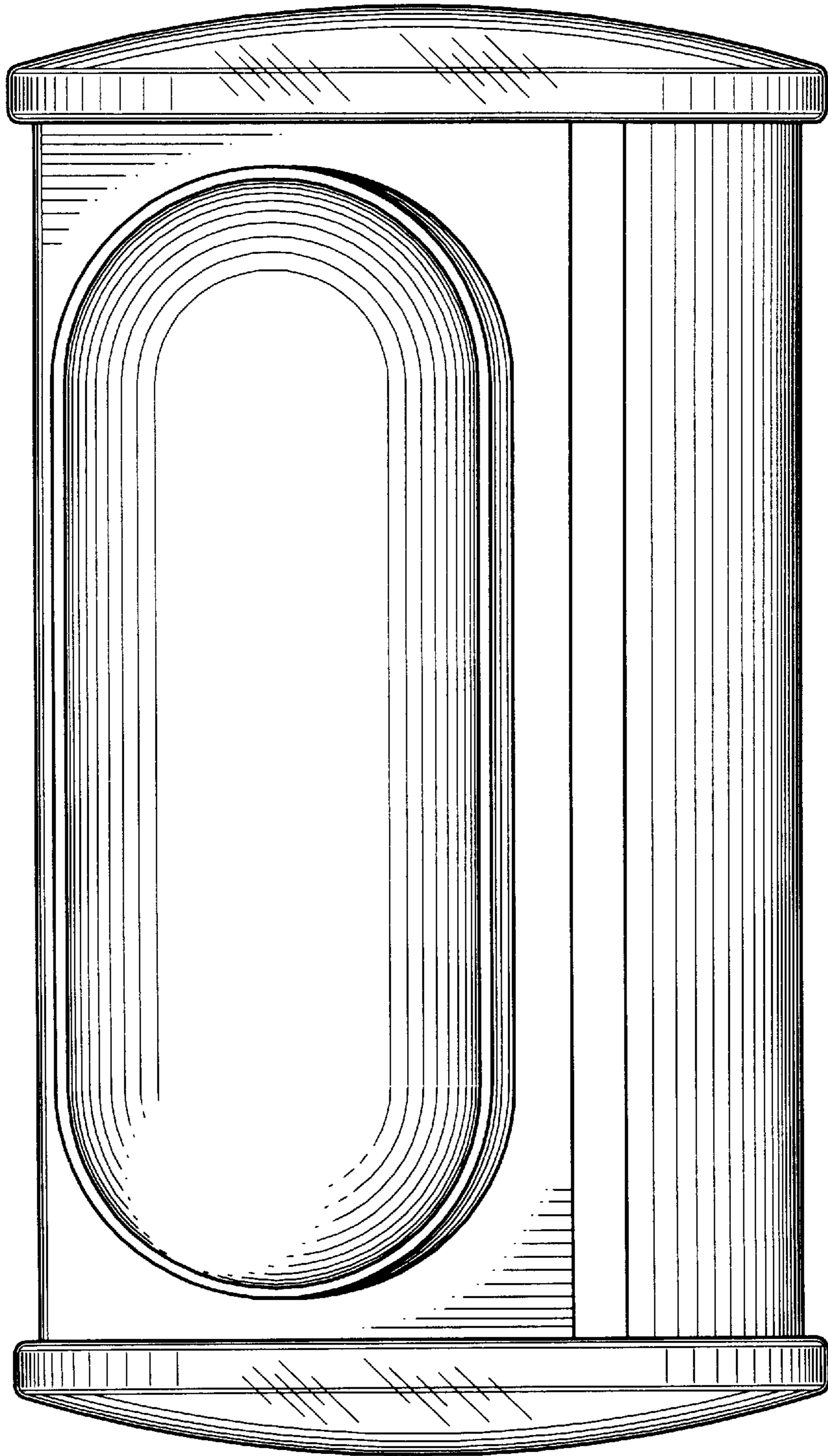
FIG. 1 is a perspective view of a bread box showing my new design;  
FIG. 2 is a front elevational view of the bread box;  
FIG. 3 is a rear elevational view of the bread box;  
FIG. 4 is a top plan view of the bread box;  
FIG. 5 is a right side elevational view of the bread box;  
FIG. 6 is a left side elevational view of the bread box; and,  
FIG. 7 is a bottom plan view of the bread box.

**1 Claim, 7 Drawing Sheets**



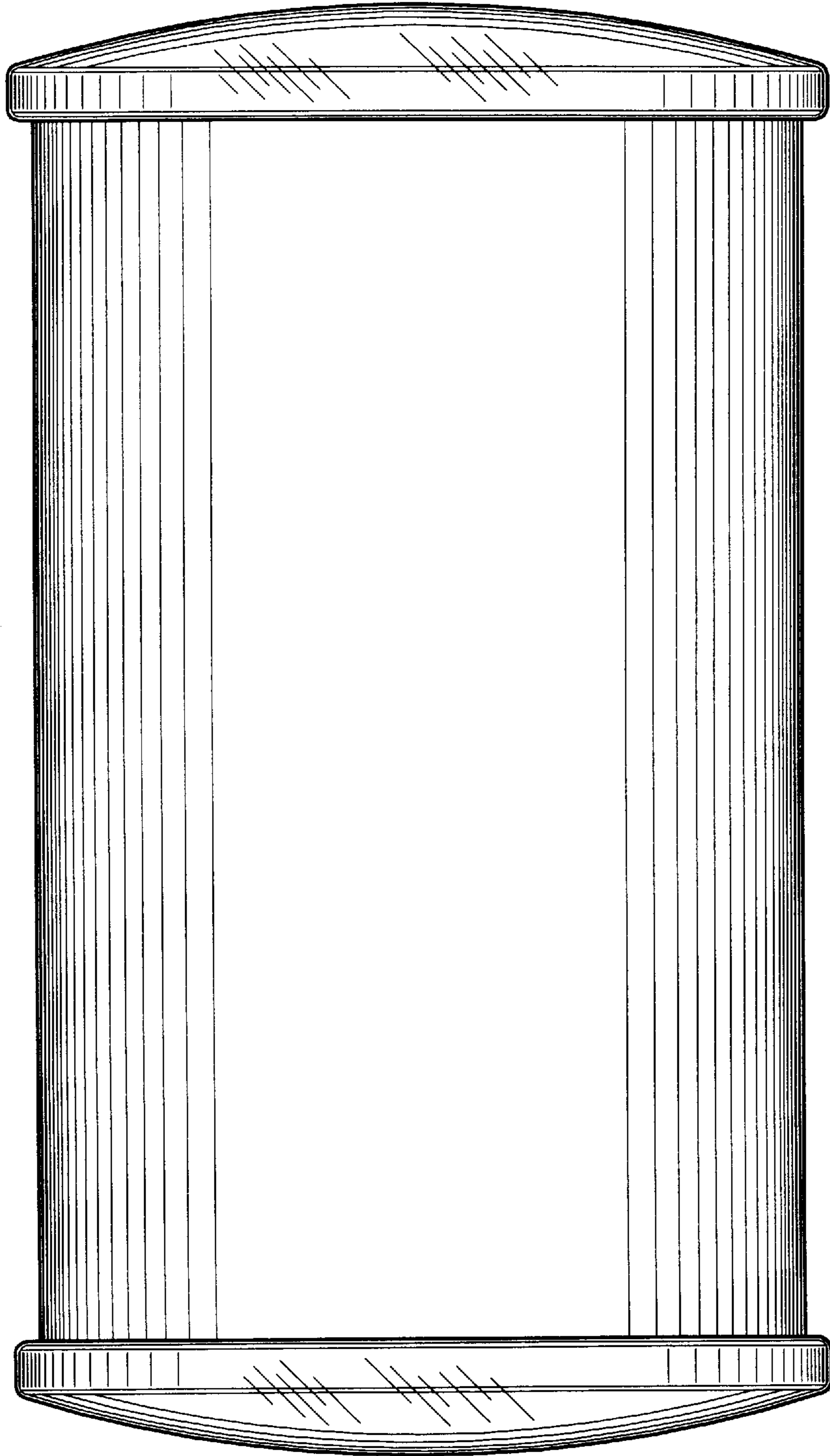


*Fig. 1*

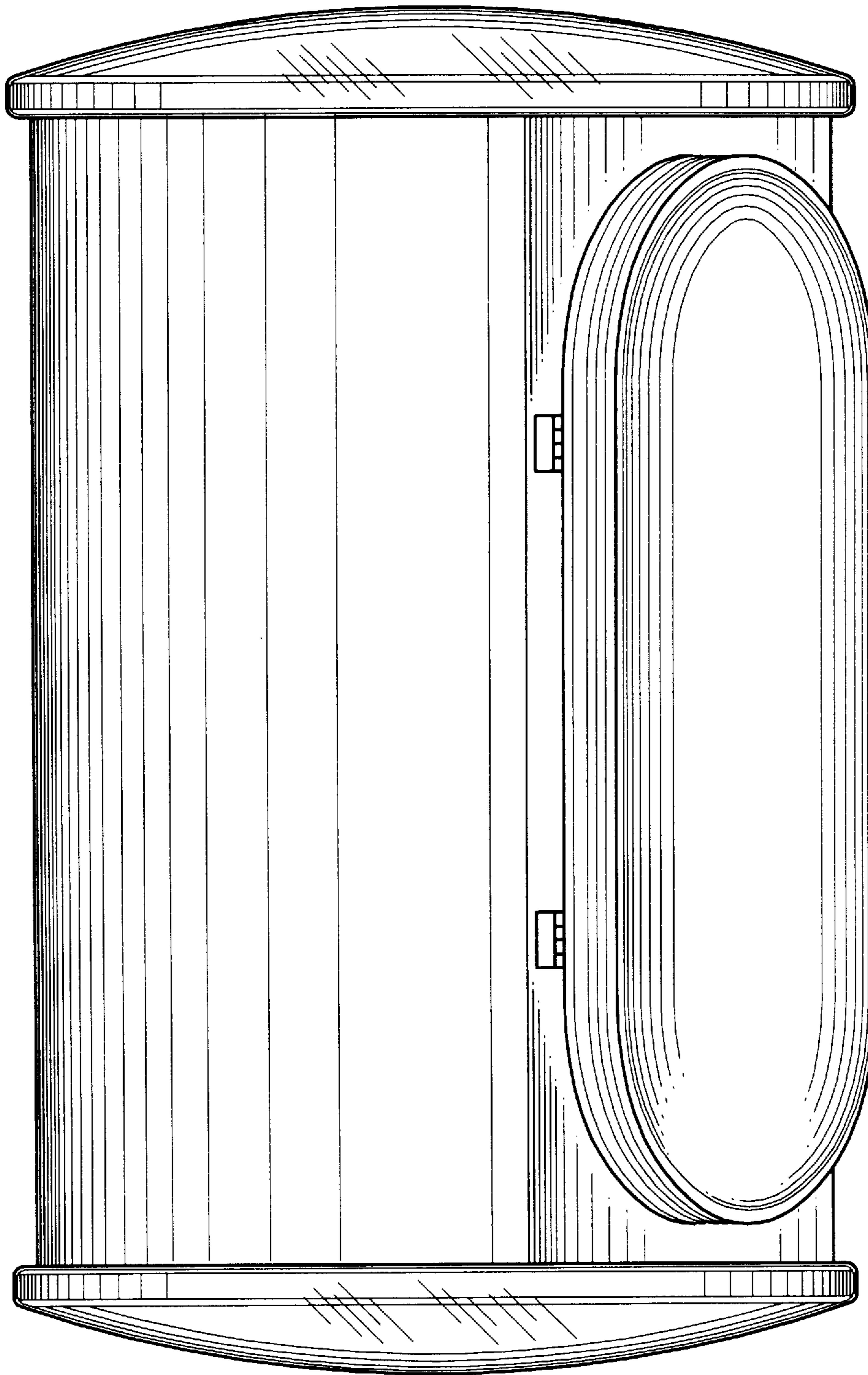


*Fig. 2*

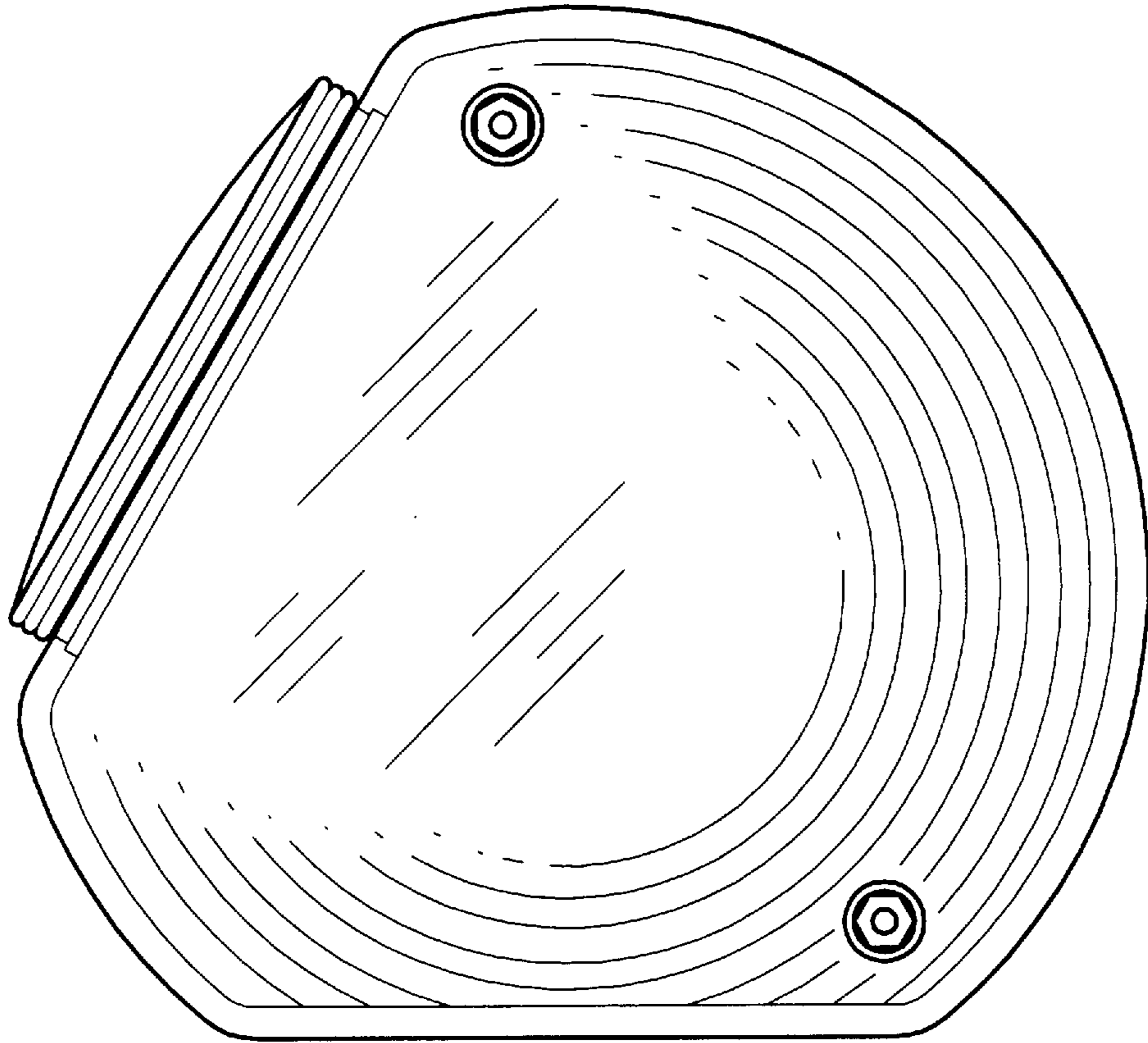




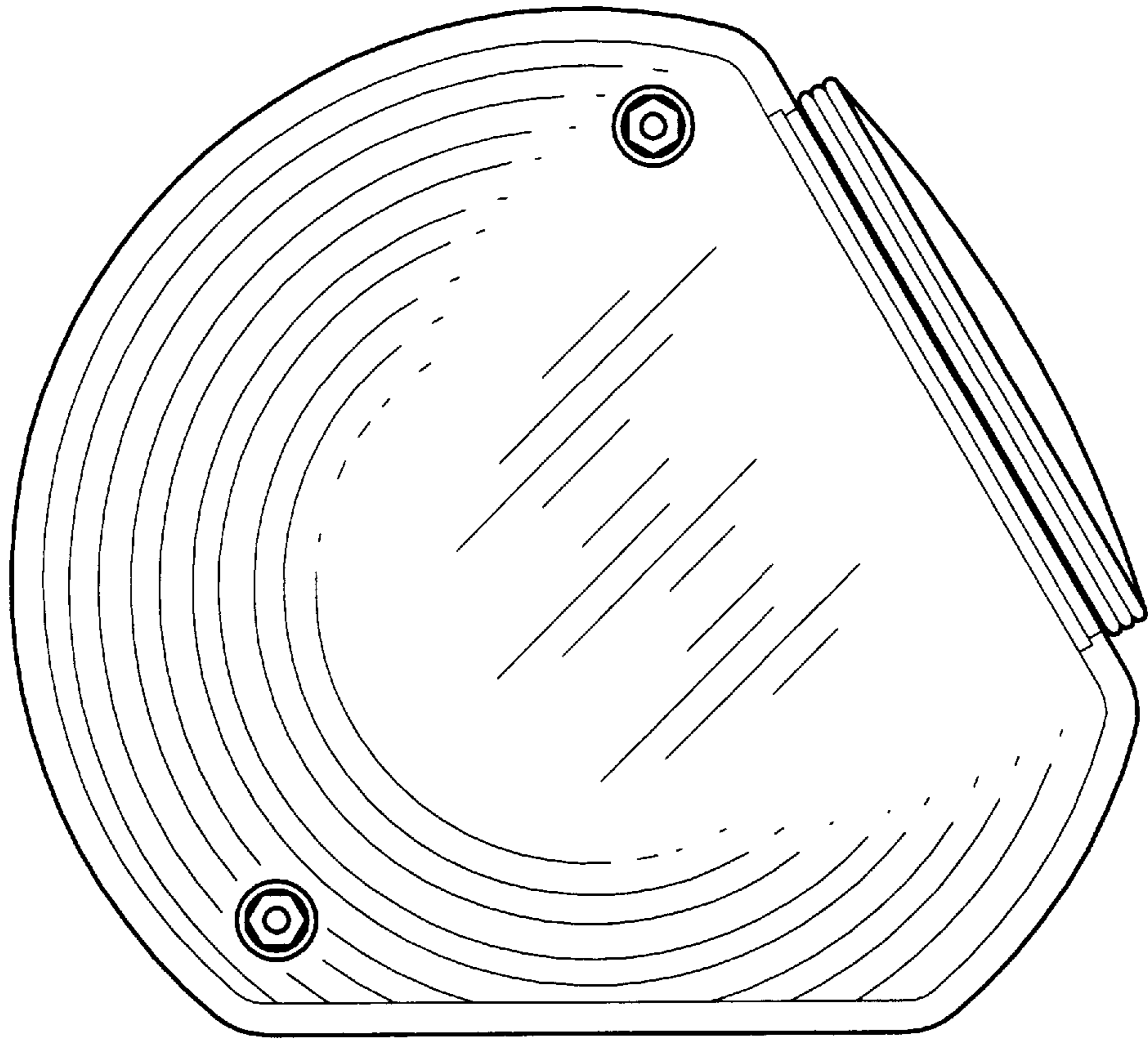
*Fig. 3*



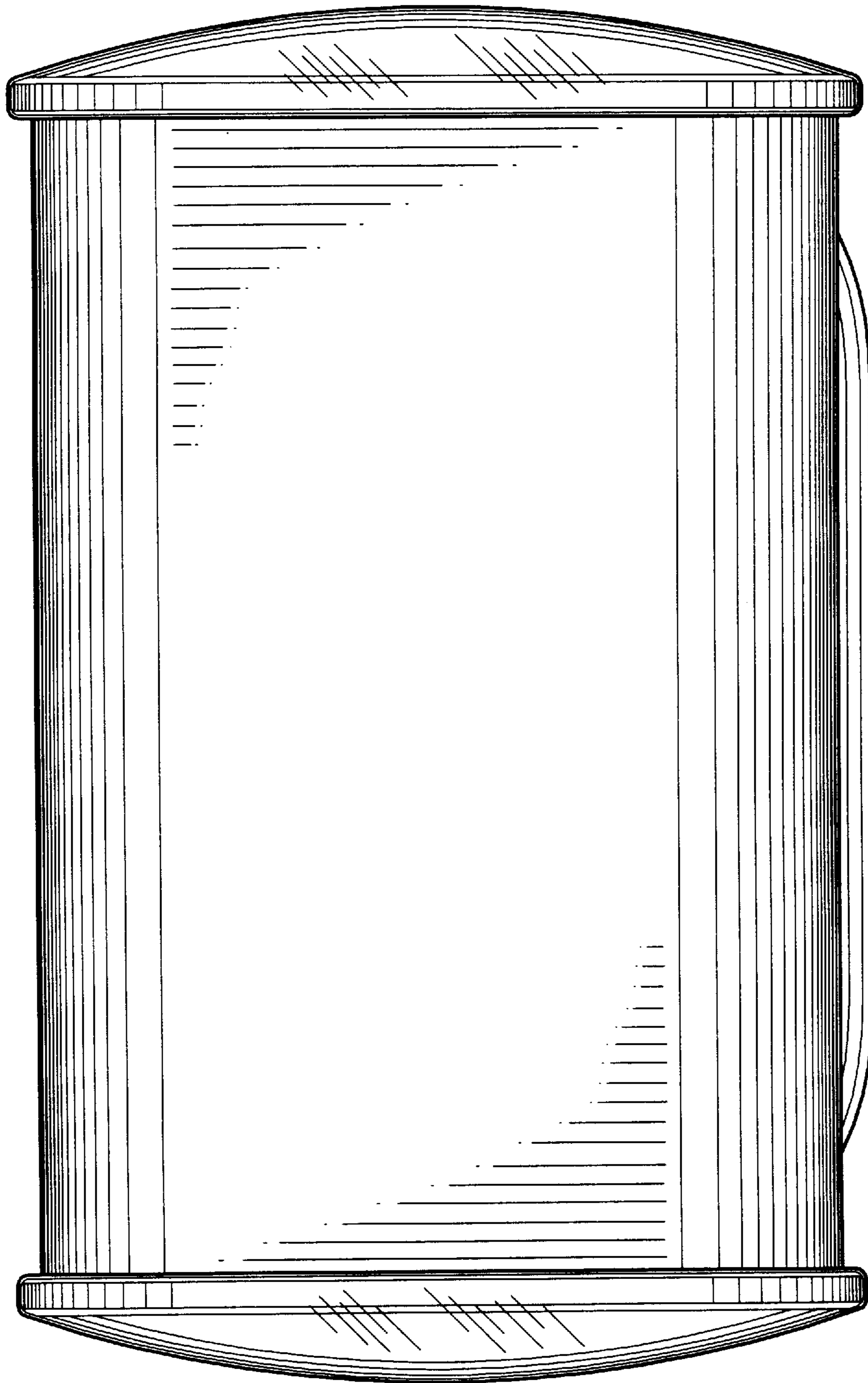
*Fig. 4*



*Fig. 5*



*Fig. 6*



*Fig. 7*