



US00D405306S

United States Patent [19]

Wilkening et al.

[11] **Patent Number: Des. 405,306**

[45] **Date of Patent: **Feb. 9, 1999**

[54] **WALL GRID**

[75] Inventors: **Steven R. Wilkening**, Grandville, Mich.; **Walter B. Herbst**, Lake Forest, Ill.; **Kurt T. Peterson**, Mt. Prospect, Ill.; **Aaron B. Eiger**, Evanston, Ill.

[73] Assignee: **ODL, Incorporated**, Zeeland, Mich.

[**] Term: **14 Years**

[21] Appl. No.: **57,010**

[22] Filed: **Jul. 15, 1996**

[51] **LOC (6) Cl. 06-04**

[52] **U.S. Cl. D6/553**

[58] **Field of Search** D6/571, 553, 569, D6/570, 512, 396, 410; 312/234, 245; 211/13.1, 59.1, 70.6, 86-87, 89, 123, 124, 60.1

[56] **References Cited**

U.S. PATENT DOCUMENTS

D. 291,520 8/1987 Merlin D6/571

4,775,053 10/1988 Geiger D6/571 X
4,993,562 2/1991 Alperson 211/87
5,087,105 2/1992 White D6/567 X
5,518,125 5/1996 Colosimo 211/88 X

Primary Examiner—Pamela Burgess
Attorney, Agent, or Firm—Warner Norcross & Judd

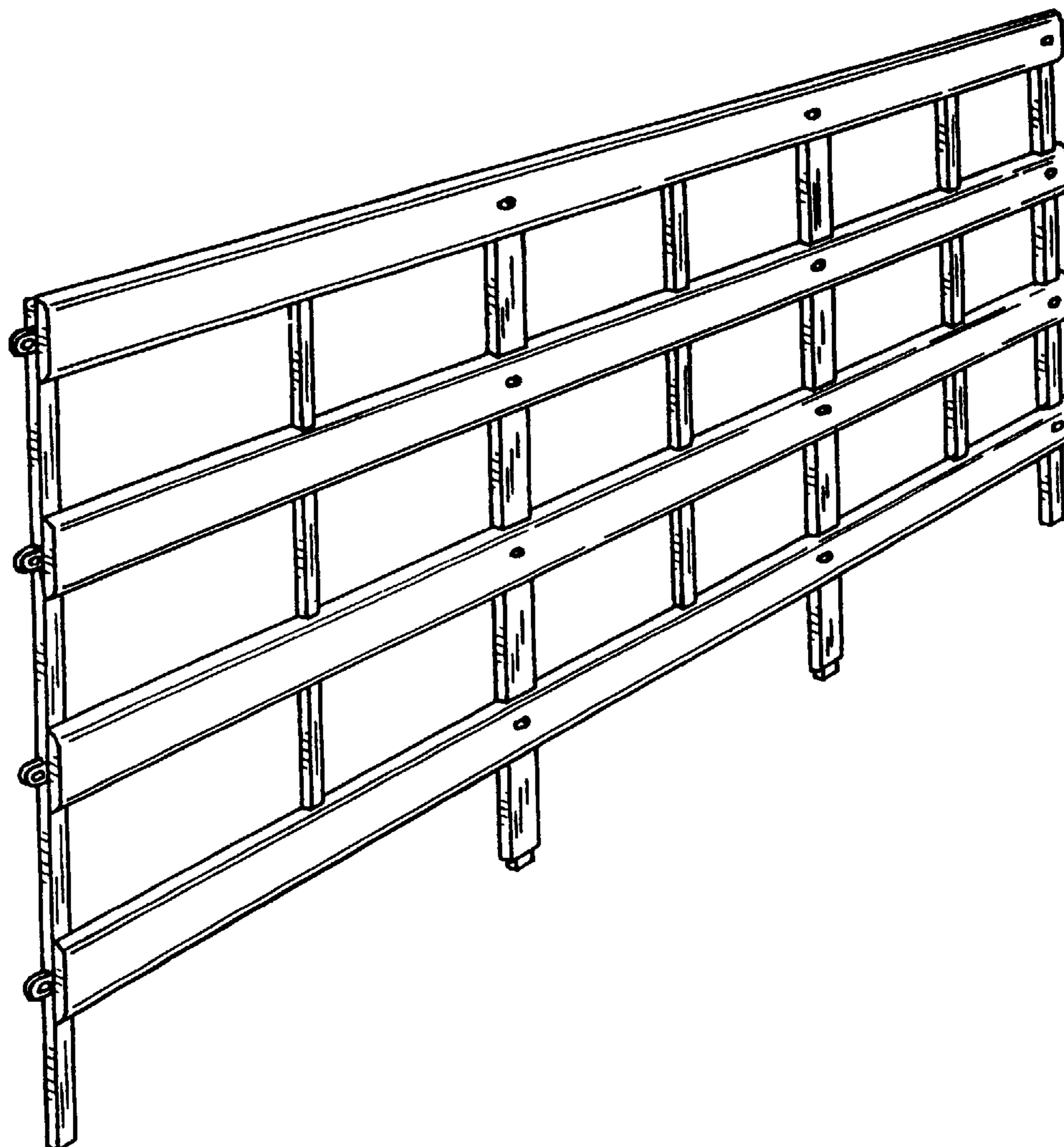
[57] **CLAIM**

The ornamental design for a wall grid, as shown and described.

DESCRIPTION

FIG. 1 is a front perspective view of a wall grid showing our design;
FIG. 2 is a front elevational view thereof;
FIG. 3 is a top plan view thereof;
FIG. 4 is a bottom plan view thereof;
FIG. 5 is a right side elevational view thereof; and,
FIG. 6 is a left side elevational view thereof.
The rear of the wall grid is unornamented and forms no part of the claimed design.

1 Claim, 3 Drawing Sheets



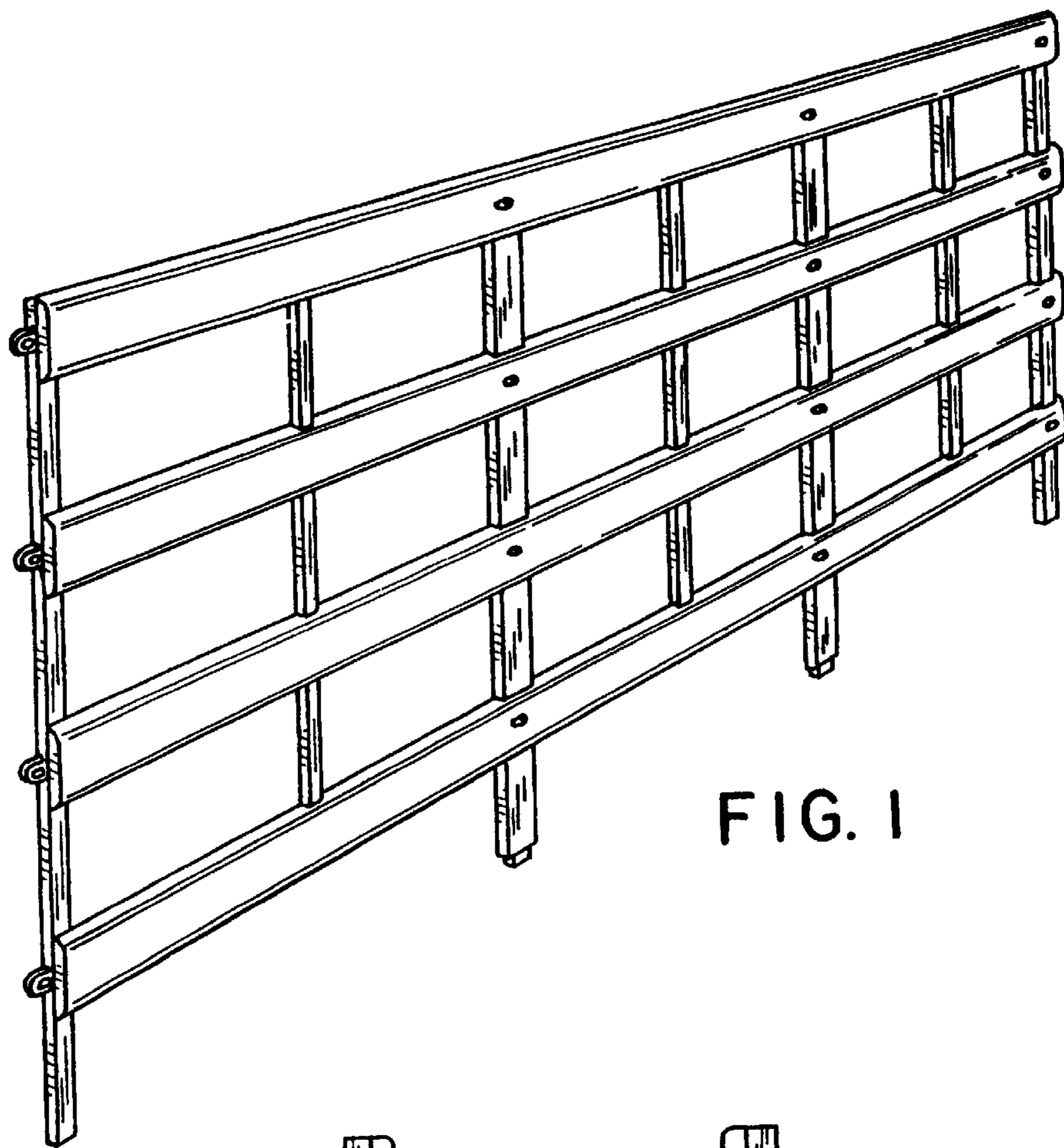


FIG. 1



FIG. 6



FIG. 5

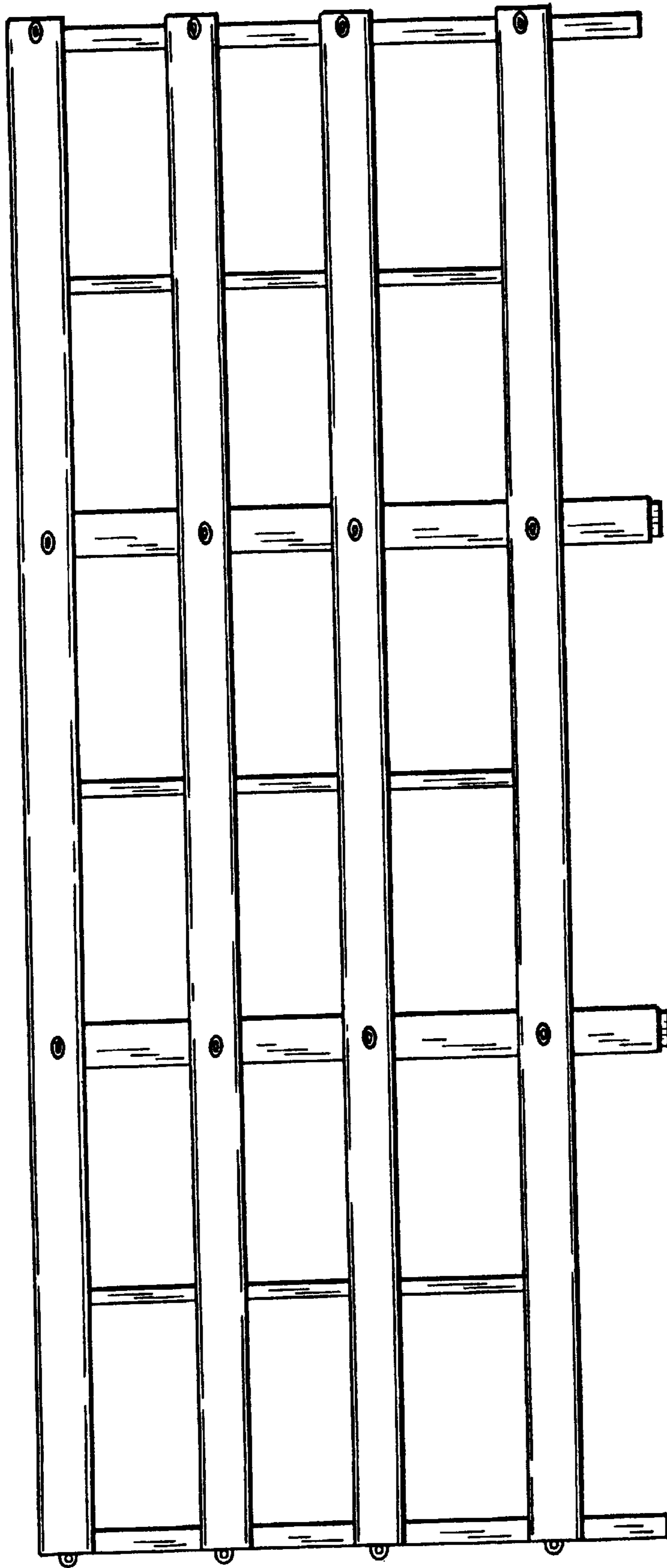


FIG. 2



FIG. 3



FIG. 4