



US00D405305S

United States Patent [19]
Hobgood

[11] **Patent Number: Des. 405,305**

[45] **Date of Patent: **Feb. 9, 1999**

[54] **EASY RELEASE TOILET PAPER ROLLER**

2,434,556 1/1948 Foltis 242/599.3
2,522,109 9/1950 Foltis 242/599.3

[76] Inventor: **George F. Hobgood**, 145 Wood Ibis Ct., Daytona Beach, Fla. 32119

Primary Examiner—Brian N. Vinson

[**] Term: **14 Years**

[57] **CLAIM**

[21] Appl. No.: **54,505**

The ornamental design for a easy released toilet paper roller, as shown and described.

[22] Filed: **Aug. 7, 1996**

DESCRIPTION

[51] **LOC (6) Cl.** **07-07**

[52] **U.S. Cl.** **D6/523**

[58] **Field of Search** D6/518, 522, 523;
242/597.1, 598.1, 599, 599.3, 600

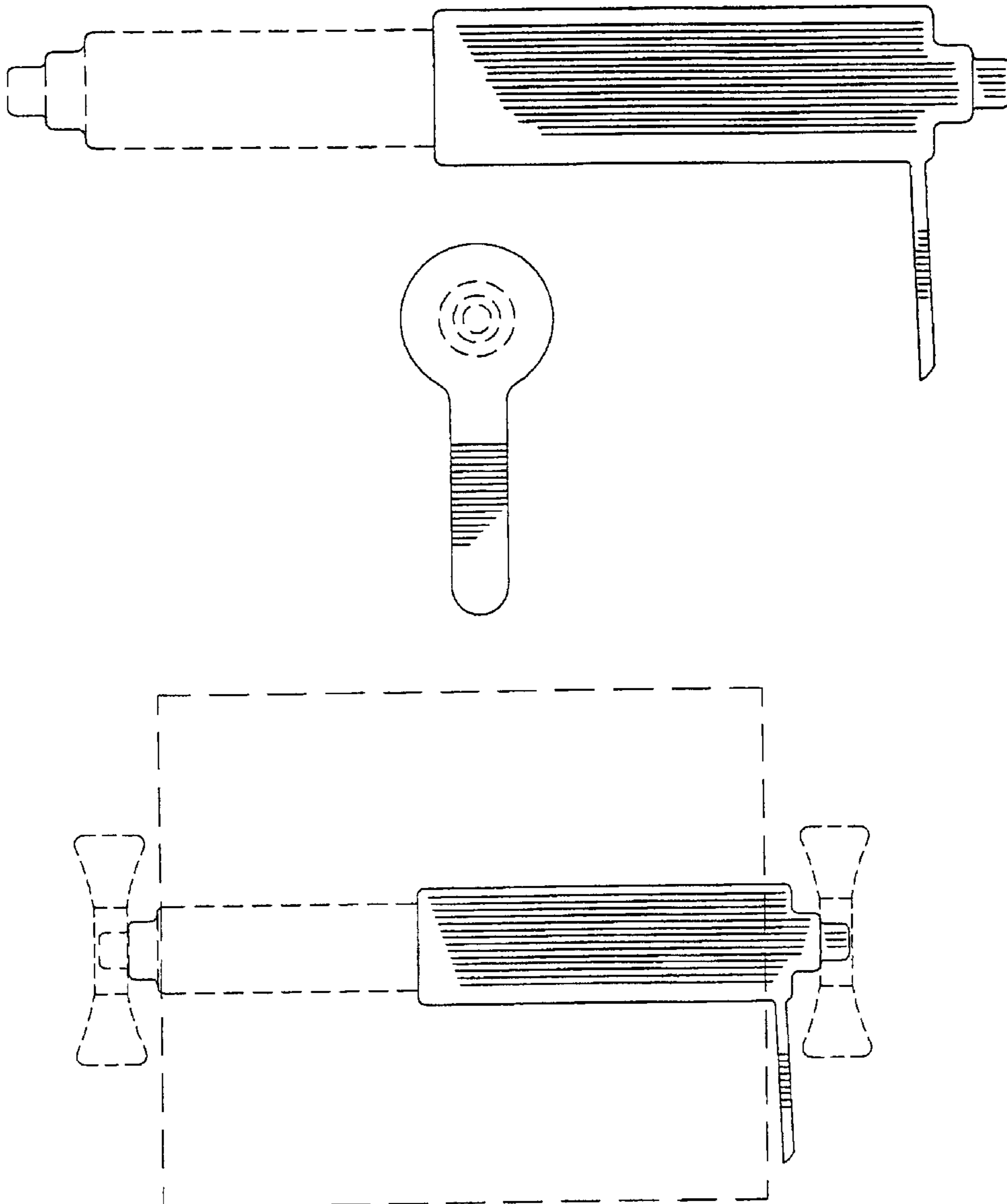
FIG. 1 is a front elevational view of an easy release toilet paper roller showing my new design; FIG. 2 is a rear elevational view thereof; FIG. 3 is a right side elevational view thereof; and, FIG. 4 is a reduced front elevational view thereof. The broken-line disclosure in the views is for illustrative purposes only and forms no part of the claimed design.

[56] **References Cited**

U.S. PATENT DOCUMENTS

D. 296,963 8/1988 Smallwood D6/523

1 Claim, 2 Drawing Sheets



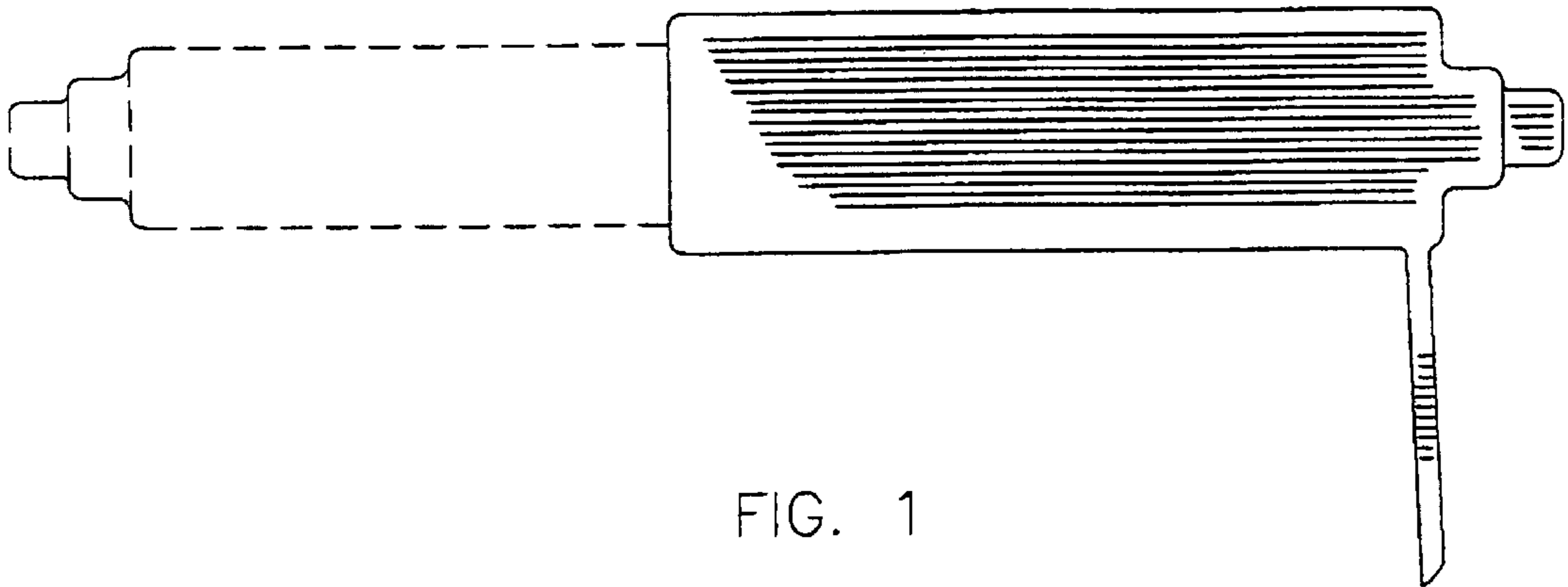


FIG. 1

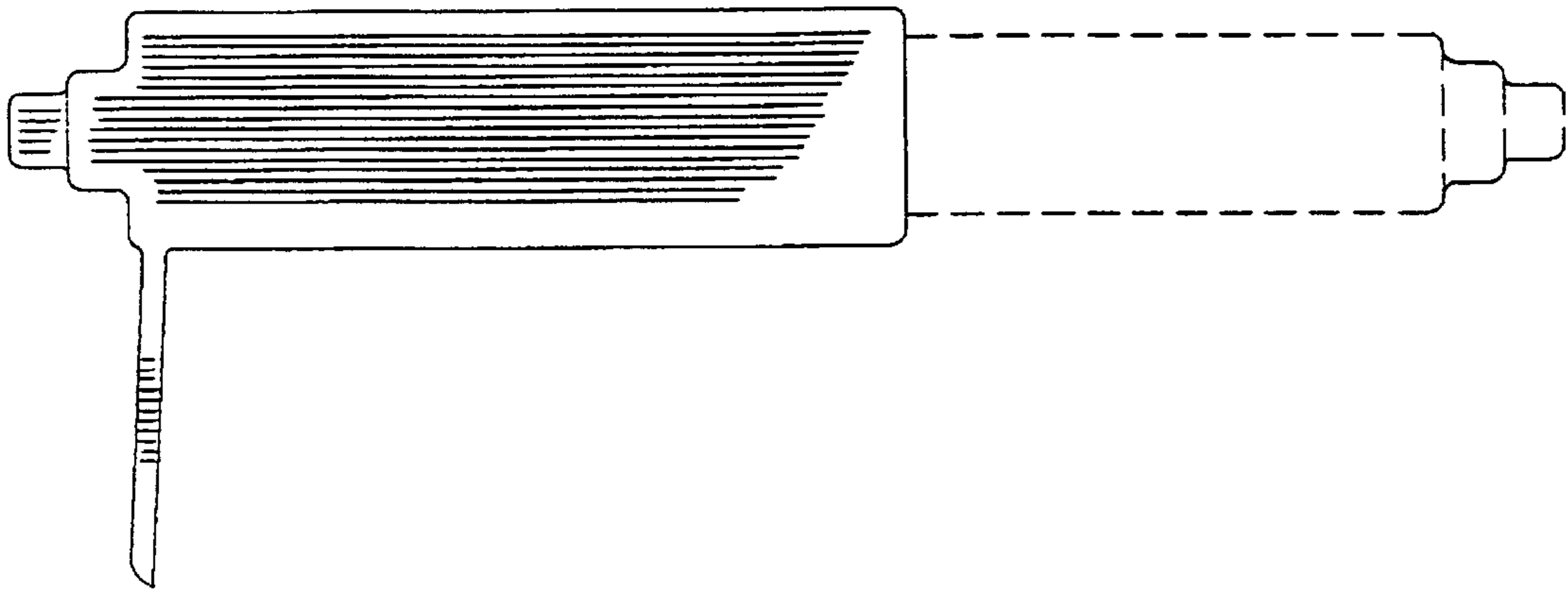


FIG. 2

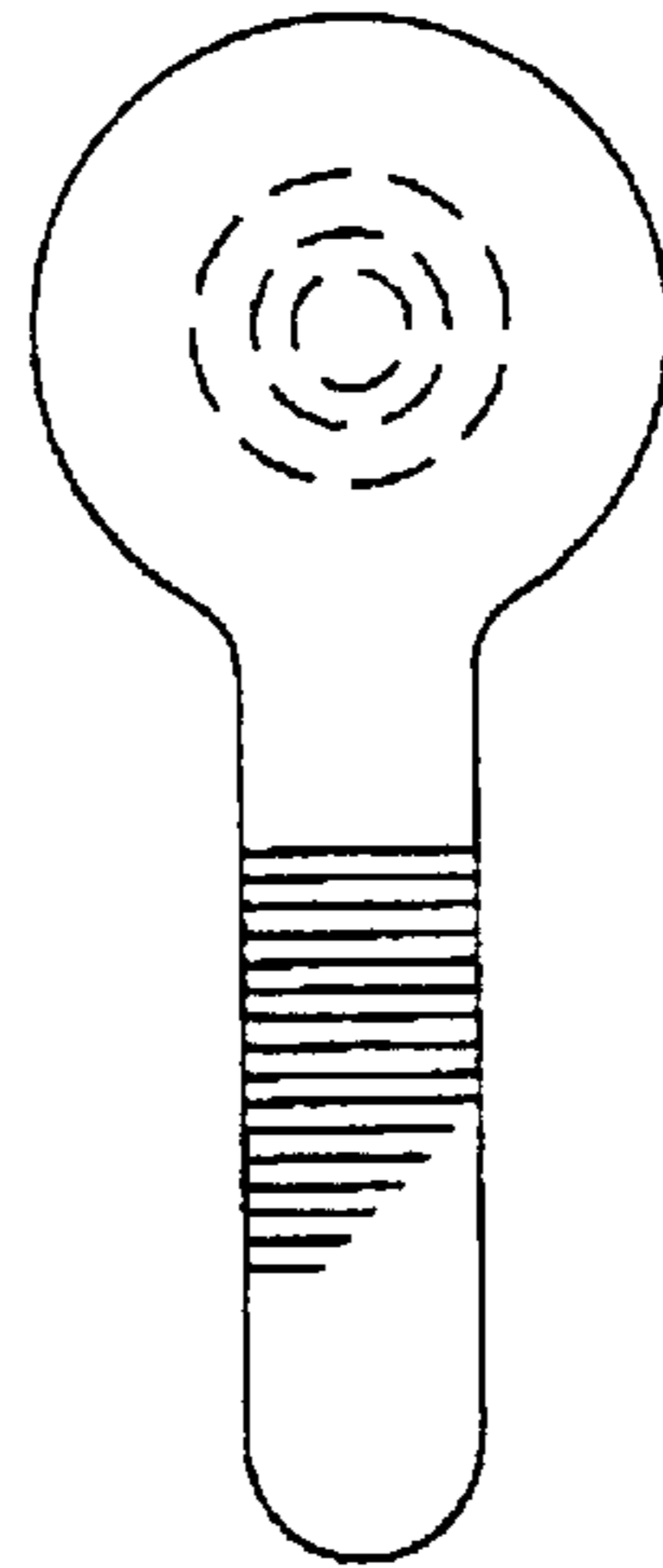


FIG. 3

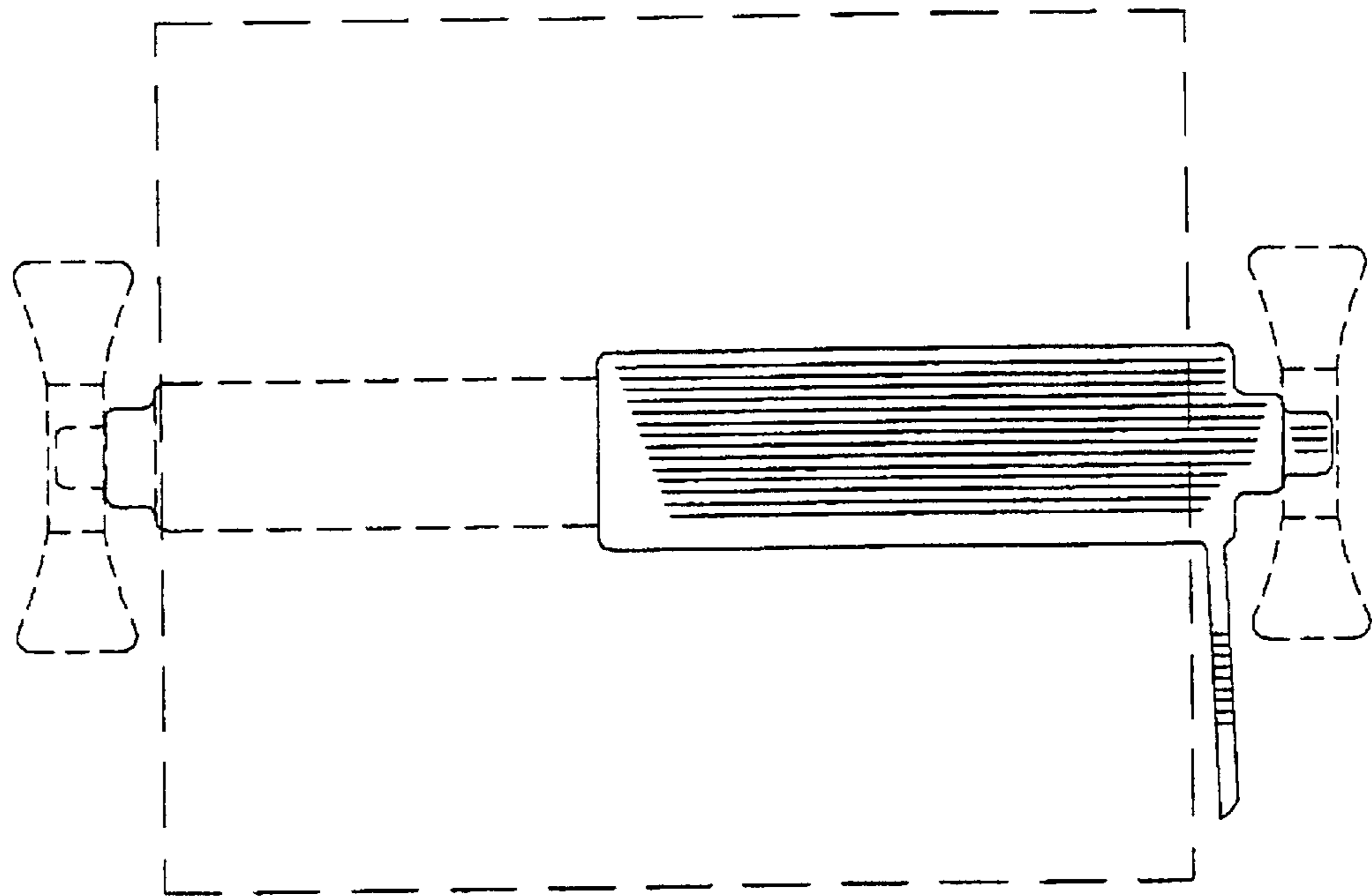


FIG. 4