



US00D405303S

United States Patent [19] Giugiaro

[11] Patent Number: Des. 405,303

[45] Date of Patent: **Feb. 9, 1999

[54] DISPENSER

[76] Inventor: **Giorgetto Giugiaro**, Via Philadelphia
106, Turin, Italy

[**] Term: **14 Years**

[21] Appl. No.: **65,734**

[22] Filed: **Dec. 9, 1996**

Related U.S. Application Data

[63] Continuation of Ser. No. 45,982, Nov. 3, 1995, abandoned.

[30] Foreign Application Priority Data

May 5, 1995 [SE] Sweden 95-0939

[51] LOC (6) Cl. **07-07**

[52] U.S. Cl. **D6/518**

[58] Field of Search D6/518-523; 206/233,
206/554, 820; 211/49.1, 50; 221/22, 33,
45, 202

[56] References Cited

U.S. PATENT DOCUMENTS

D. 373,277	9/1996	Giugiaro	D6/522
D. 379,569	6/1997	Strickland et al.	D6/518
D. 383,934	9/1997	McNaughton	D6/518

Primary Examiner—Brian N. Vinson
Attorney, Agent, or Firm—Burns, Doane, Swecker & Mathis, L.L.P.

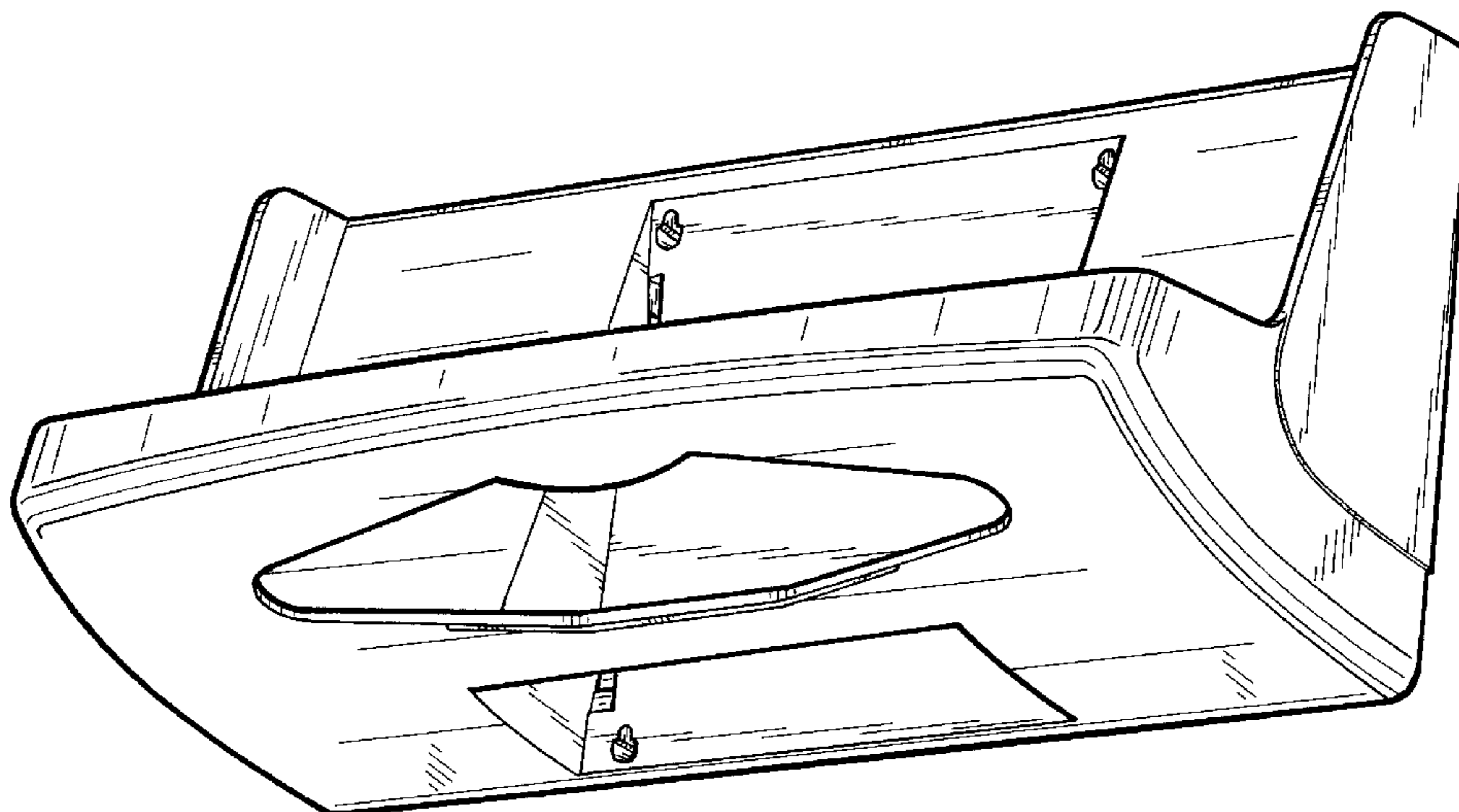
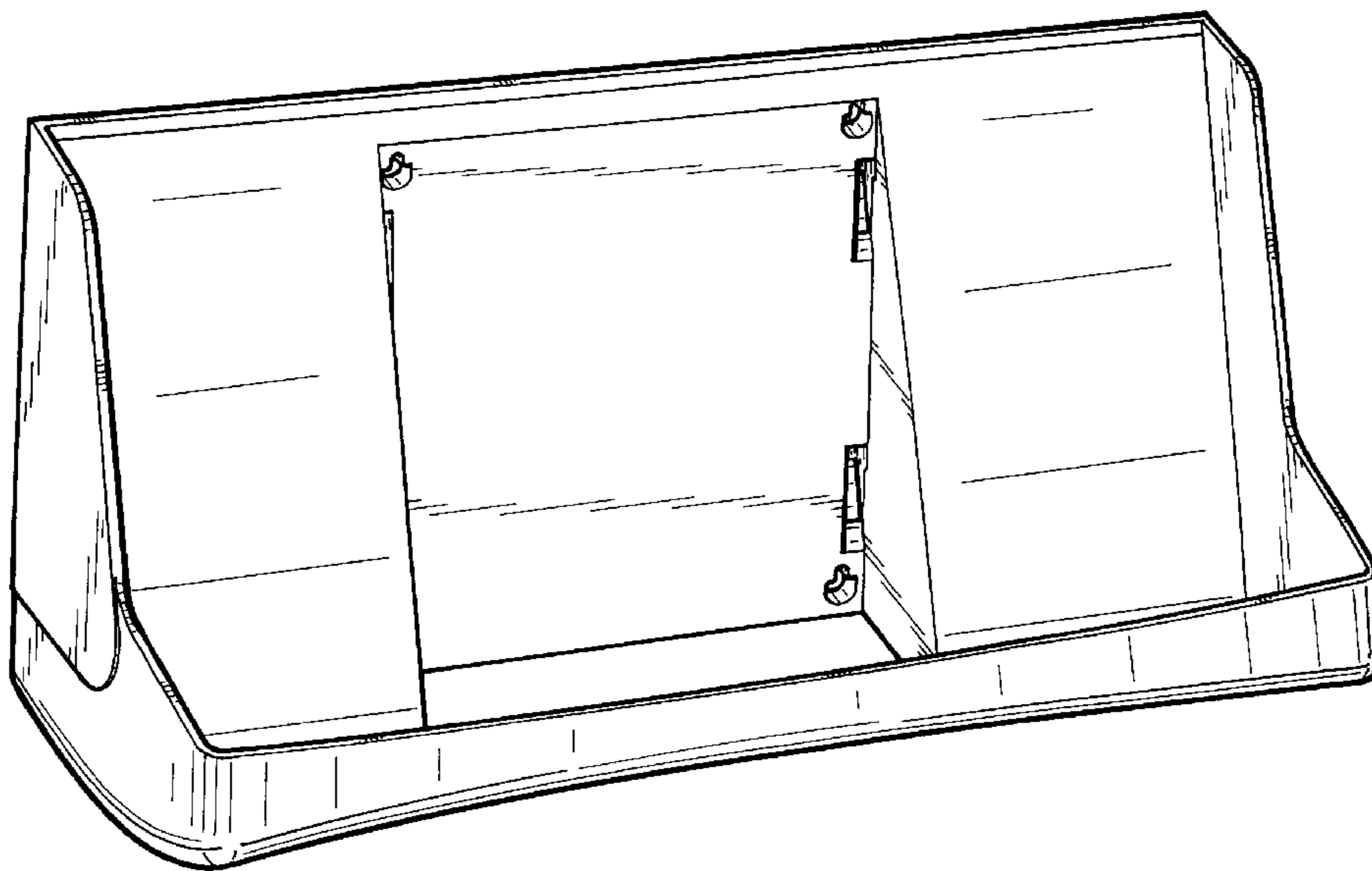
[57] CLAIM

The ornamental design for a dispenser, as shown.

DESCRIPTION

FIG. 1 is a front perspective view of a dispenser showing my new design;
FIG. 2 is a rear perspective view of the dispenser; and,
FIG. 3 is a bottom perspective view of the dispenser.

1 Claim, 3 Drawing Sheets



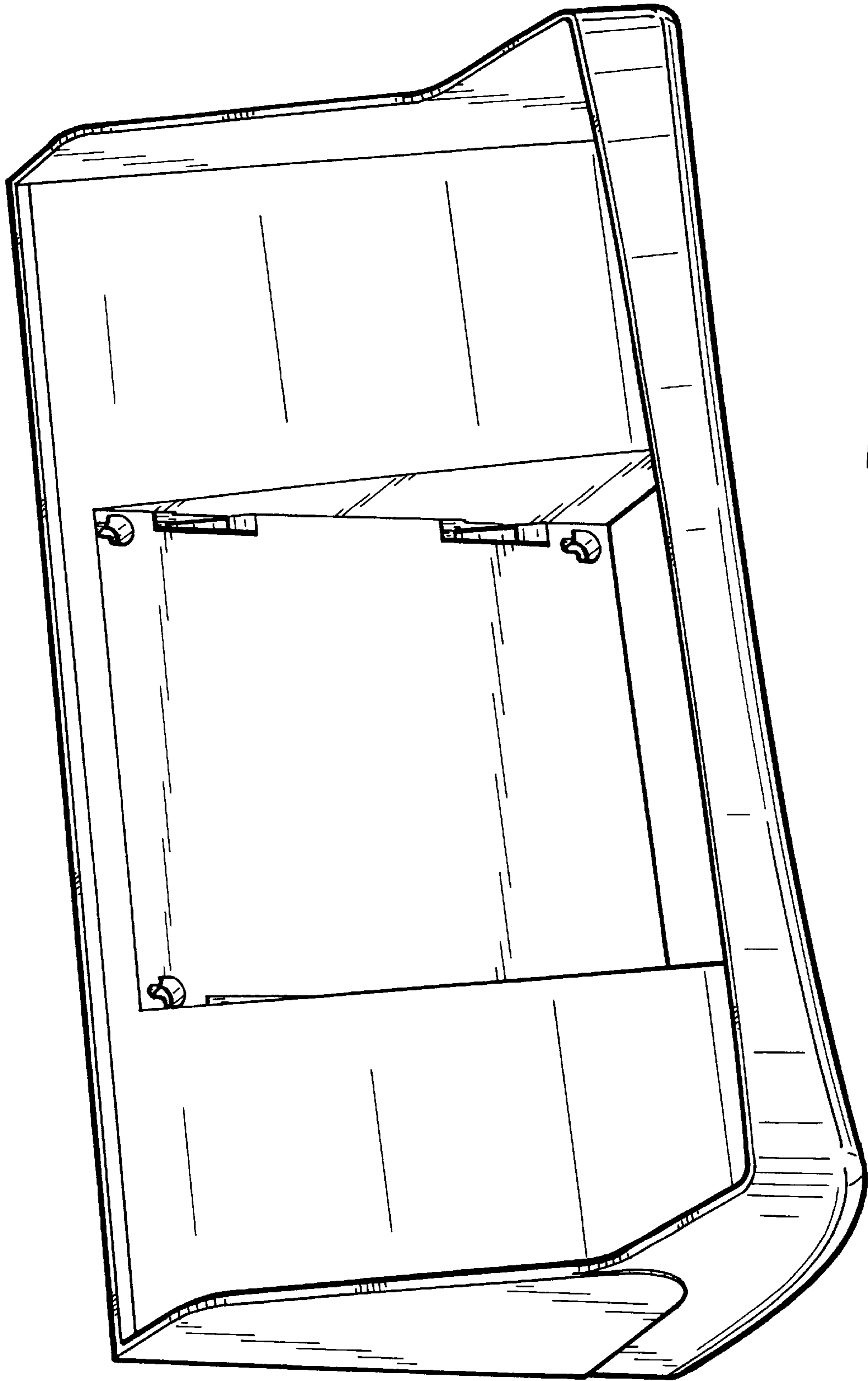


FIG. 1

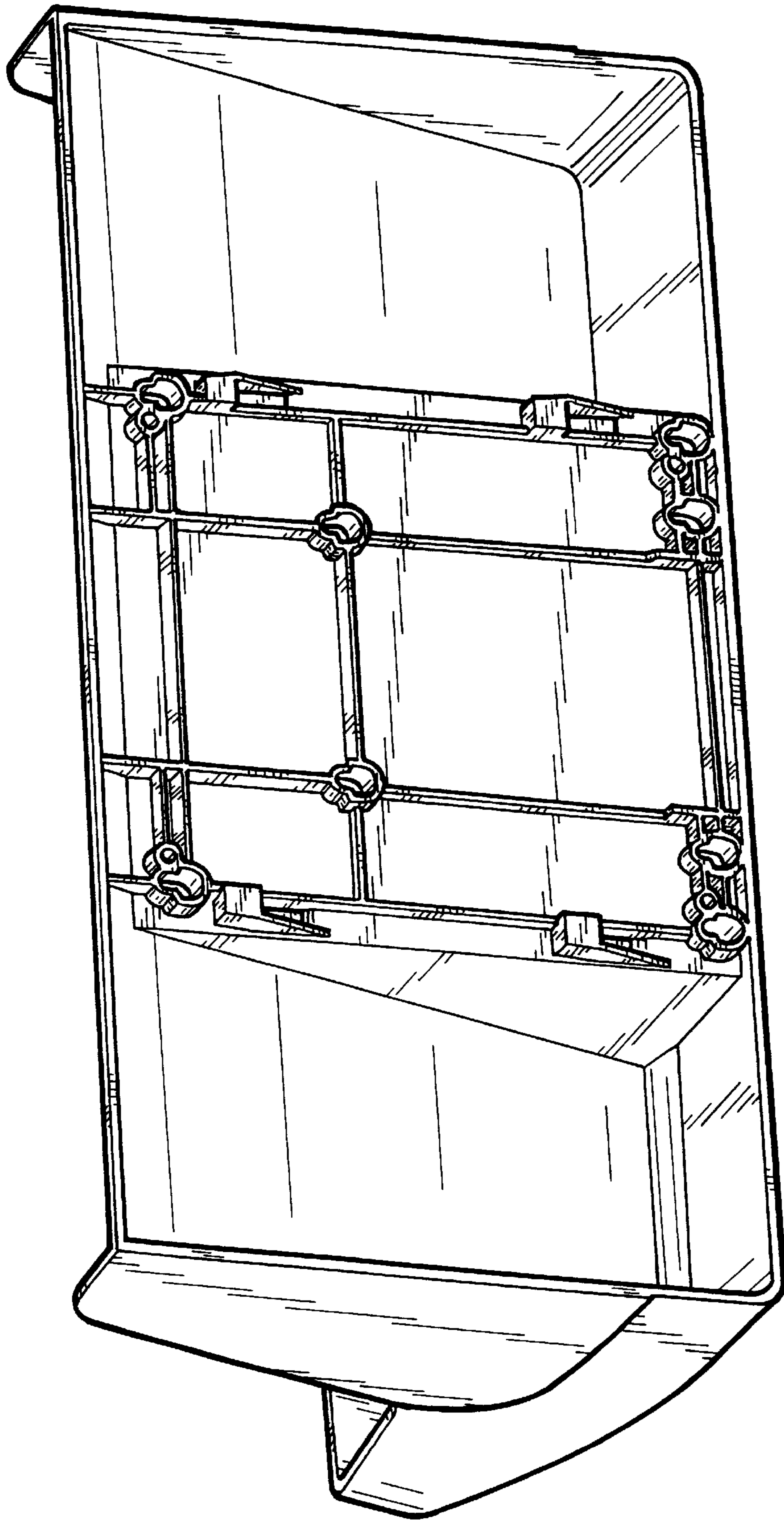


FIG. 2

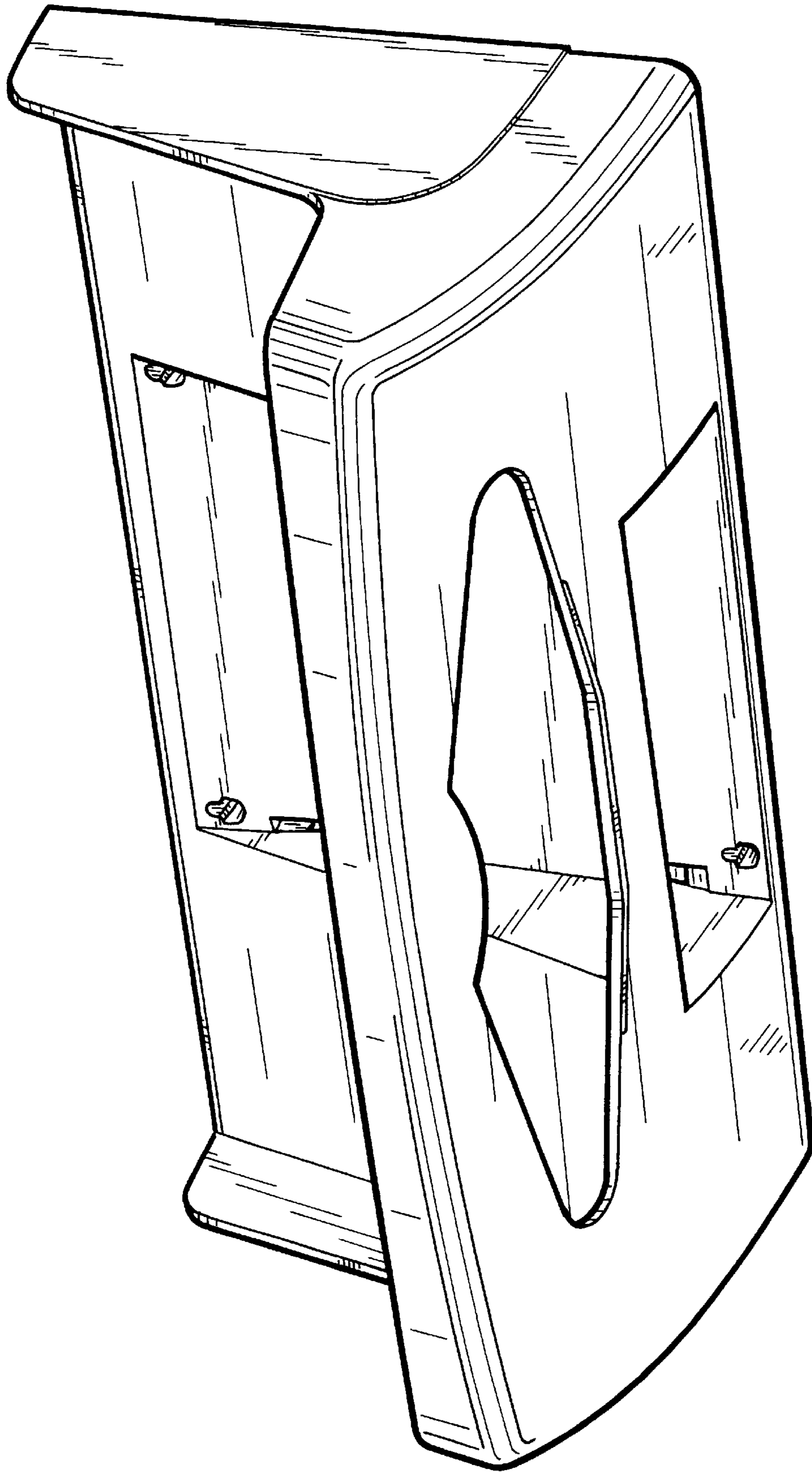


FIG. 3