



US00D405301S

United States Patent [19] Fugazzi

[11] **Patent Number:** **Des. 405,301**
[45] **Date of Patent:** ****Feb. 9, 1999**

[54] **COMPOSITE FURNITURE SURFACE**

[75] Inventor: **Robert Anthony Fugazzi**, Cincinnati, Ohio

[73] Assignee: **Architectural Precast, Inc.**, Columbus, Ohio

[**] Term: **14 Years**

[21] Appl. No.: **83,670**

[22] Filed: **Feb. 11, 1998**

[51] **LOC (6) Cl.** **06-06**

[52] **U.S. Cl.** **D6/491; D6/511**

[58] **Field of Search** D6/349, 355, 511,
D6/337, 491; 312/100, 140.3; 297/157.1,
158.3, 158.5

[56] **References Cited**

U.S. PATENT DOCUMENTS

D. 51,594 12/1917 Holman D6/511
D. 185,372 6/1959 Klein et al. D6/511

D. 224,611 8/1972 Turner et al. D6/337
D. 237,131 10/1975 Lee D6/480
D. 290,796 7/1987 Becker D6/480
D. 363,622 10/1995 Walters, III et al. D6/477
D. 383,018 9/1997 Grosfillex D6/488

Primary Examiner—Janice E. Seeger
Attorney, Agent, or Firm—Donald O. Nickey; Standley & Gilcrest

[57] **CLAIM**

The ornamental design for a composite furniture surface, as shown and described.

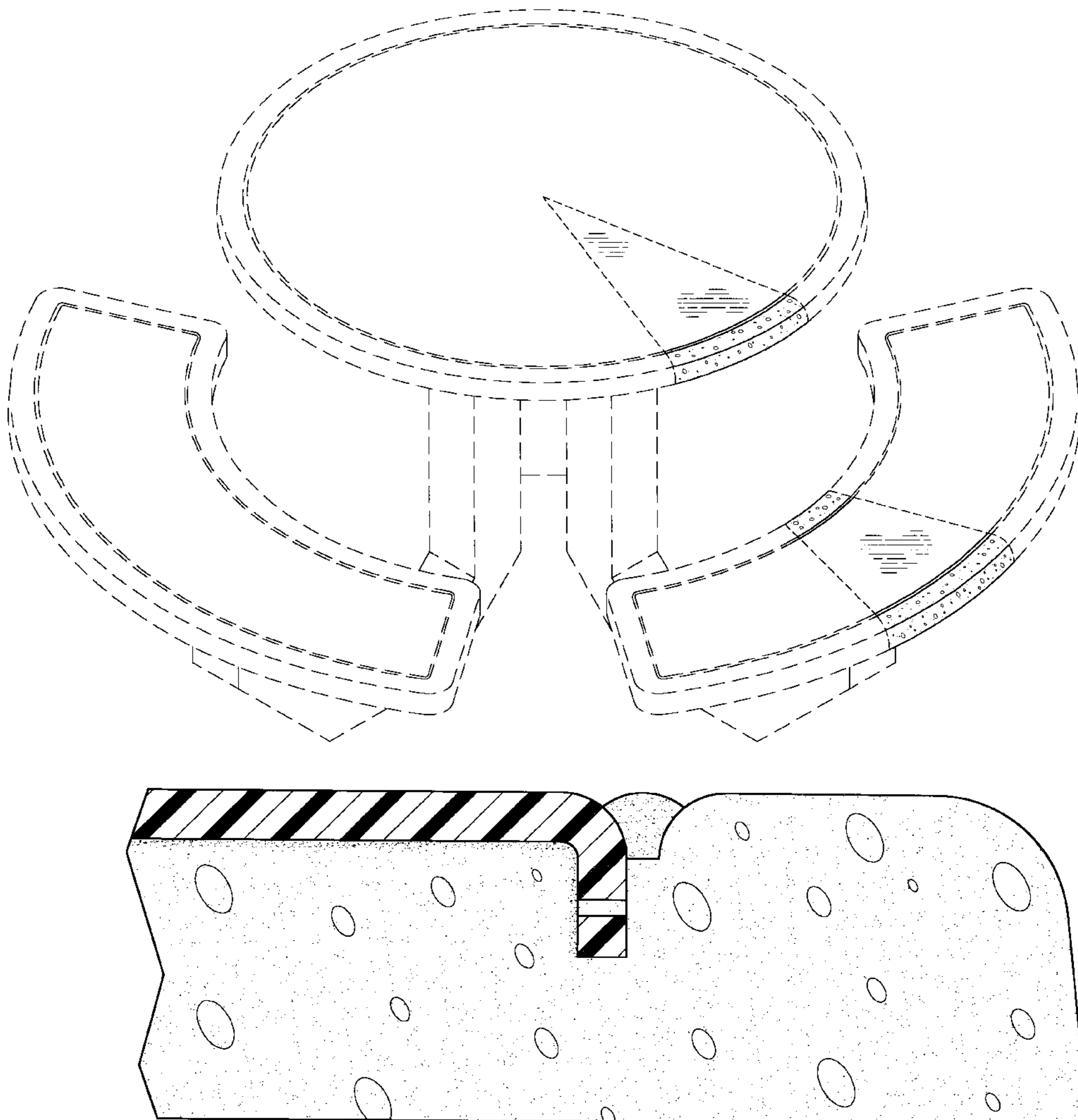
DESCRIPTION

FIG. 1 is a perspective view of a composite furniture surface, showing my new design, the broken line are for environmental purposes only and form no part of the claimed design;

FIG. 2 is a perspective view, showing an alternate embodiment of my new design; and,

FIG. 3 is a cross-sectional view thereof.

1 Claim, 3 Drawing Sheets



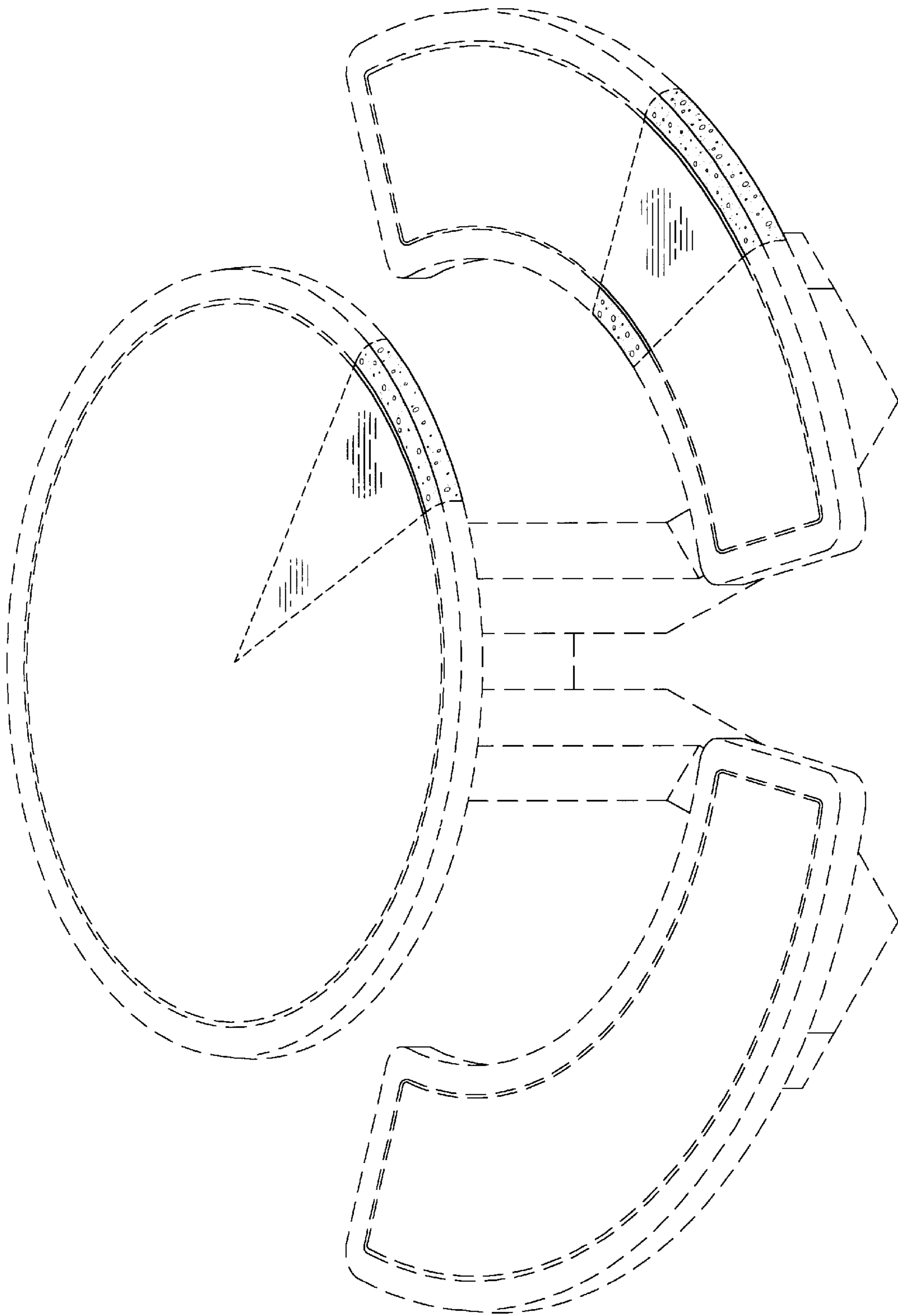


FIG-1

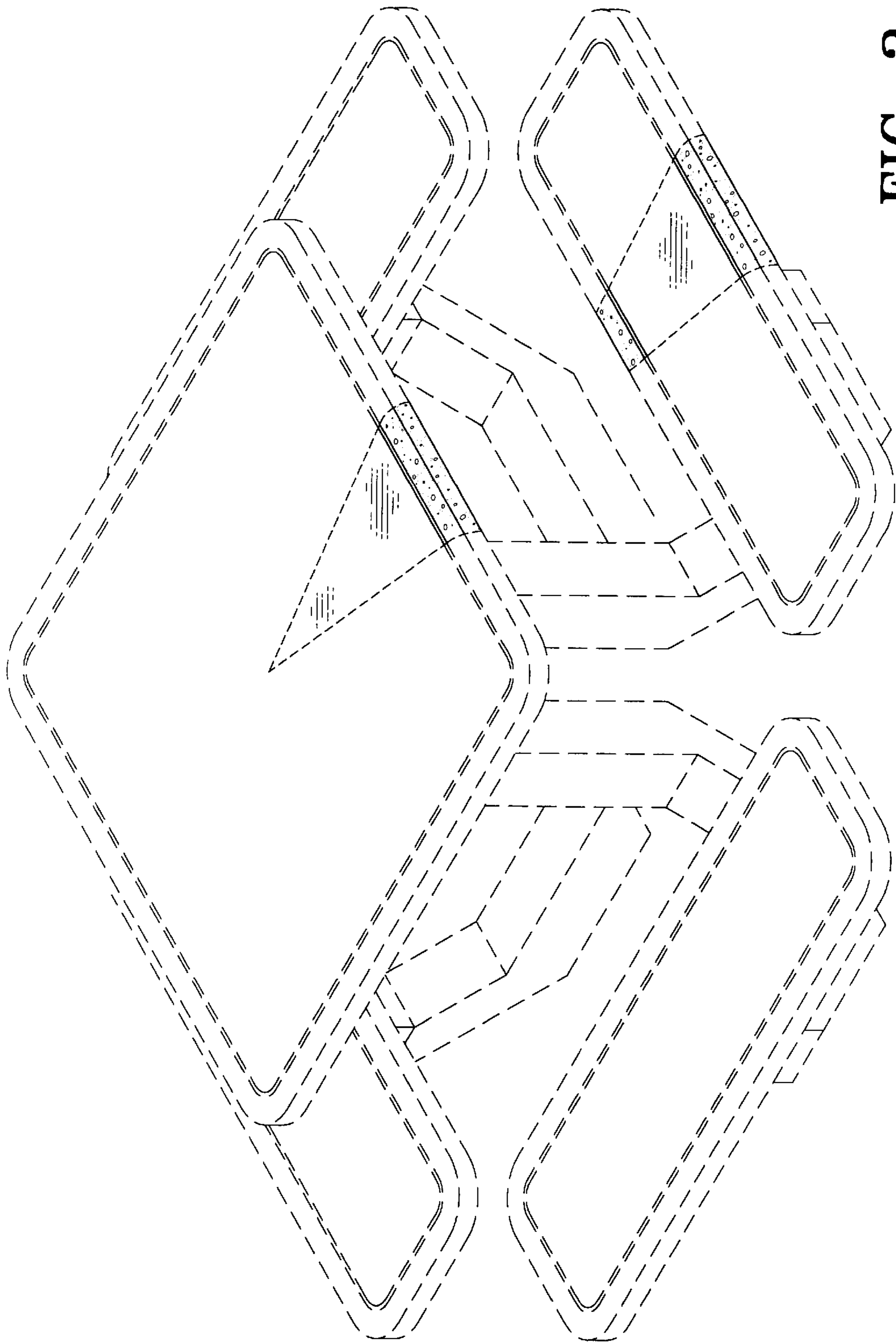


FIG-2

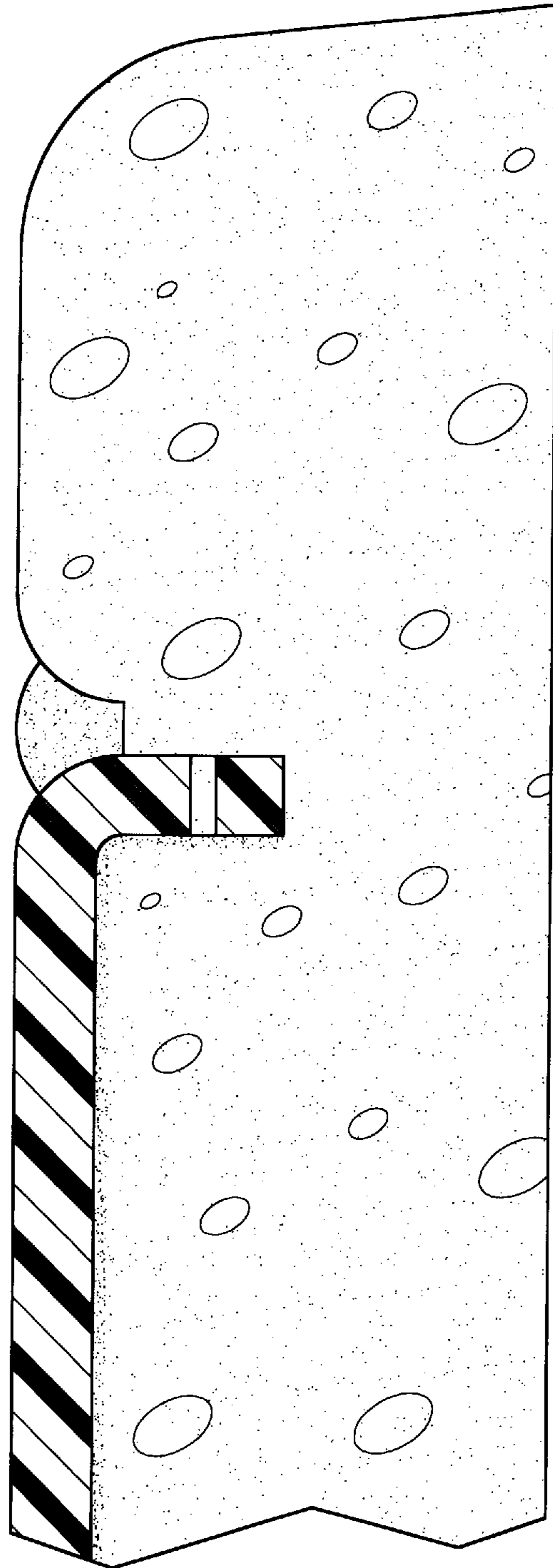


FIG-3