



US00D405299S

**United States Patent** [19]  
**Jarvis**

[11] **Patent Number: Des. 405,299**

[45] **Date of Patent: \*\*Feb. 9, 1999**

[54] **CIRCULAR FOOD BAR**

D. 368,606 4/1996 Sargent, III ..... D6/481

[75] Inventor: **Charles W. Jarvis**, Irvine, Calif.

*Primary Examiner*—James Gandy

*Assistant Examiner*—Linda Brooks

[73] Assignee: **Cambro Manufacturing Company**,  
Huntington Beach, Calif.

*Attorney, Agent, or Firm*—George F. Bethel; Patience K. Bethel

[\*\*] Term: **14 Years**

[57] **CLAIM**

[21] Appl. No.: **80,634**

The ornamental design for a circular food bar, as shown and described.

[22] Filed: **Sep. 23, 1997**

**DESCRIPTION**

[51] **LOC (6) Cl.** ..... **06-04**

FIG. 1 shows a perspective view of my new circular food bar;

[52] **U.S. Cl.** ..... **D6/470**

FIG. 2 shows a side elevation view looking from the right side of FIG. 1;

[58] **Field of Search** ..... D6/449, 470-472,  
D6/473, 474, 436-439, 481; D25/1, 16;  
312/114, 116-118, 126-130, 138.1, 140.1,  
140.2; 52/36.1-36.5

FIG. 3 shows a top plan view;

FIG. 4 shows a side elevation view opposite that shown in FIG. 2;

[56] **References Cited**

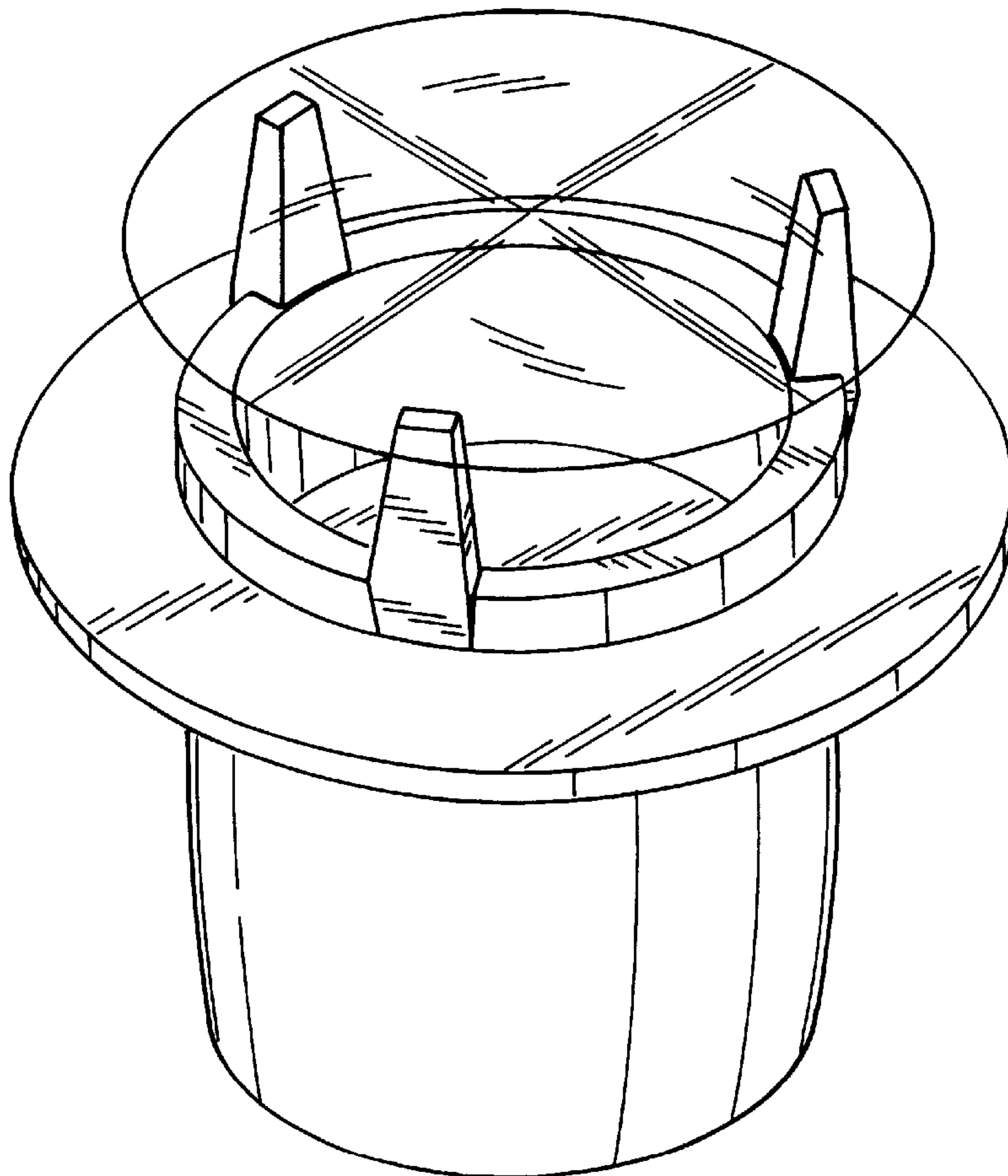
FIG. 5 shows a frontal elevation view looking from the front of the perspective view of FIG. 1; and,

**U.S. PATENT DOCUMENTS**

FIG. 6 shows a bottom plan view looking upwardly at the bottom.

- D. 240,378 7/1976 Weddendorf ..... D6/471
- D. 263,263 3/1982 Barnhill ..... D6/472
- D. 264,907 6/1982 Barnhill ..... D6/471 X
- D. 365,475 12/1995 Sargent, III ..... D6/481

**1 Claim, 2 Drawing Sheets**



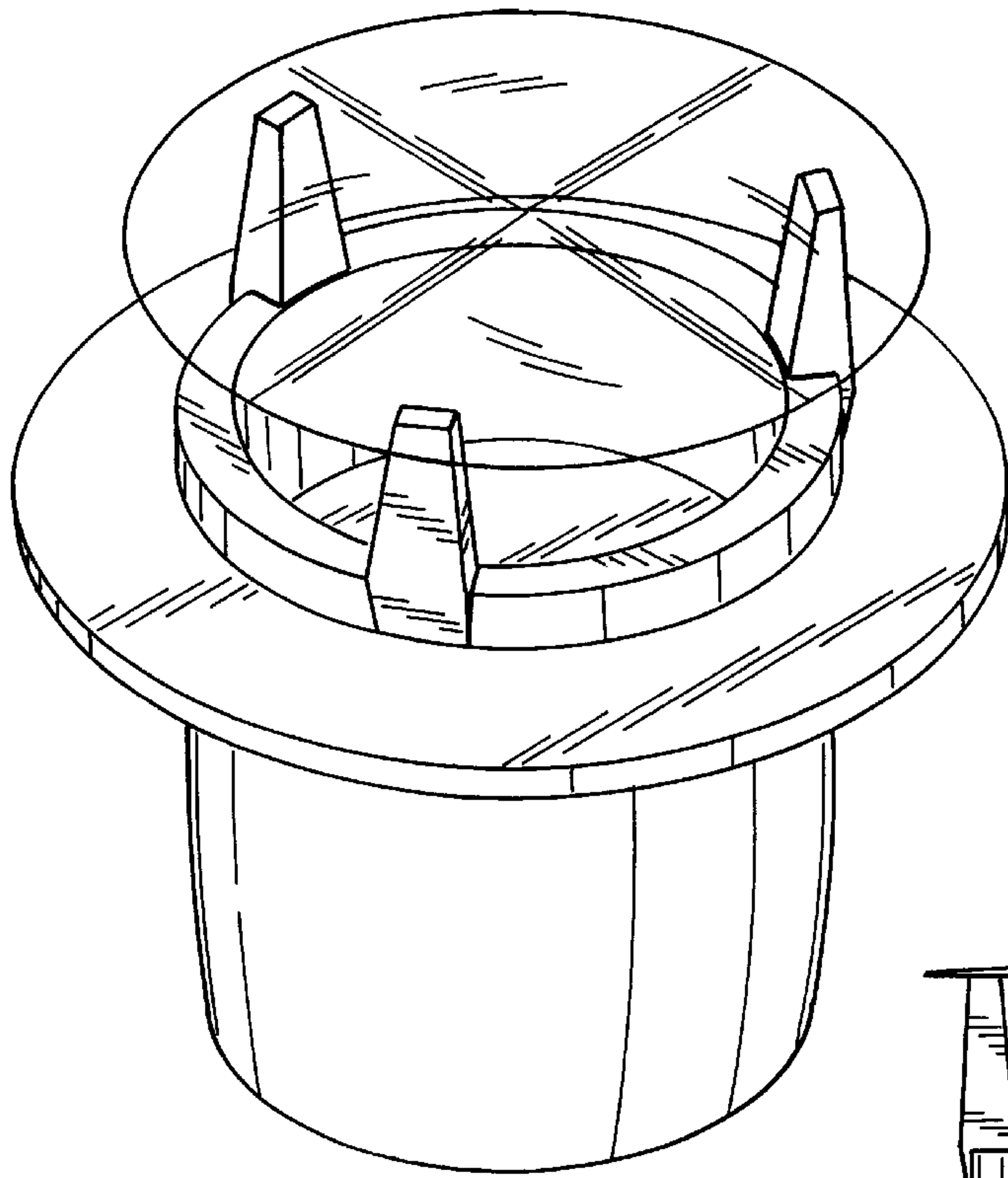


FIG. 1

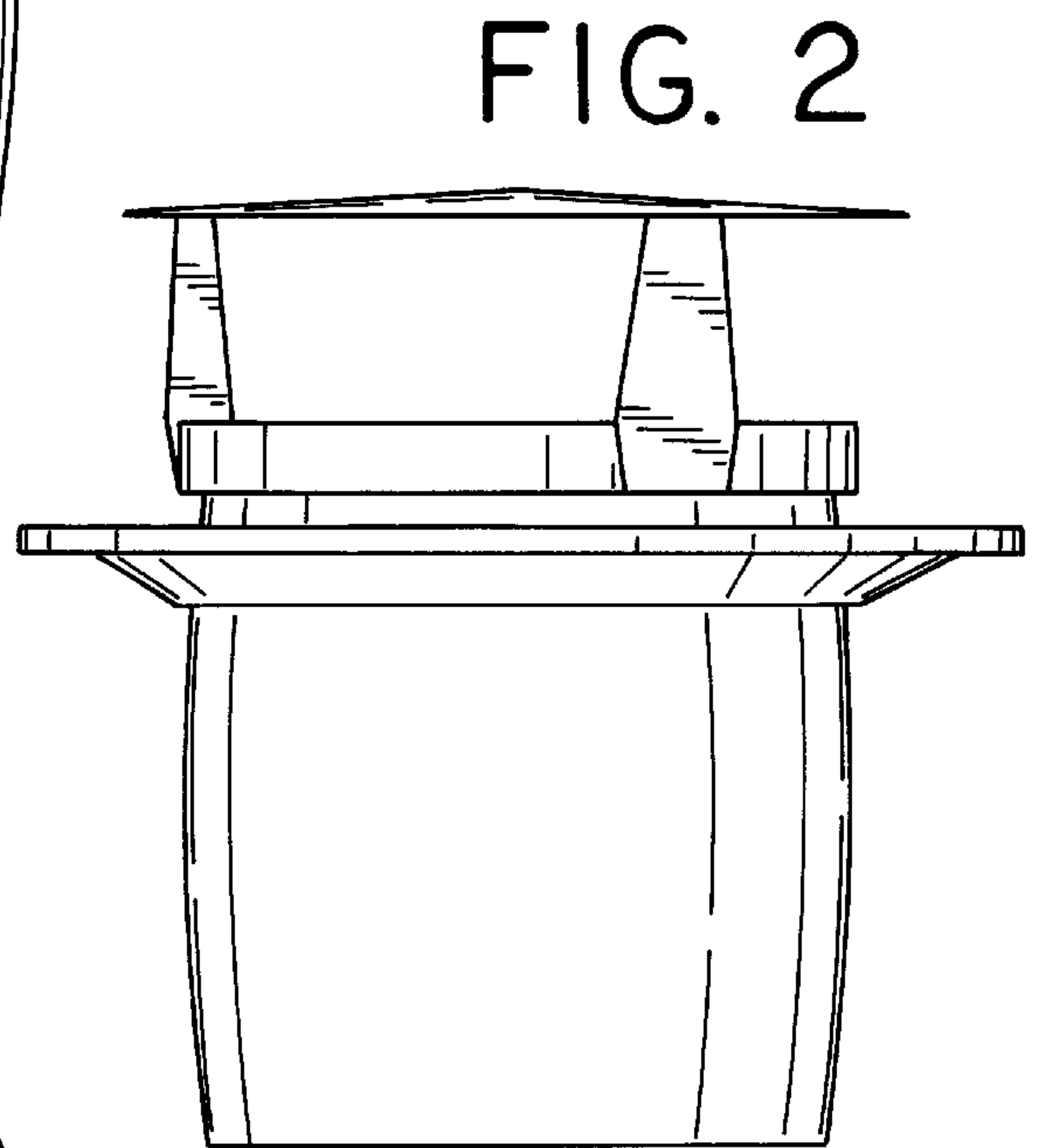


FIG. 2

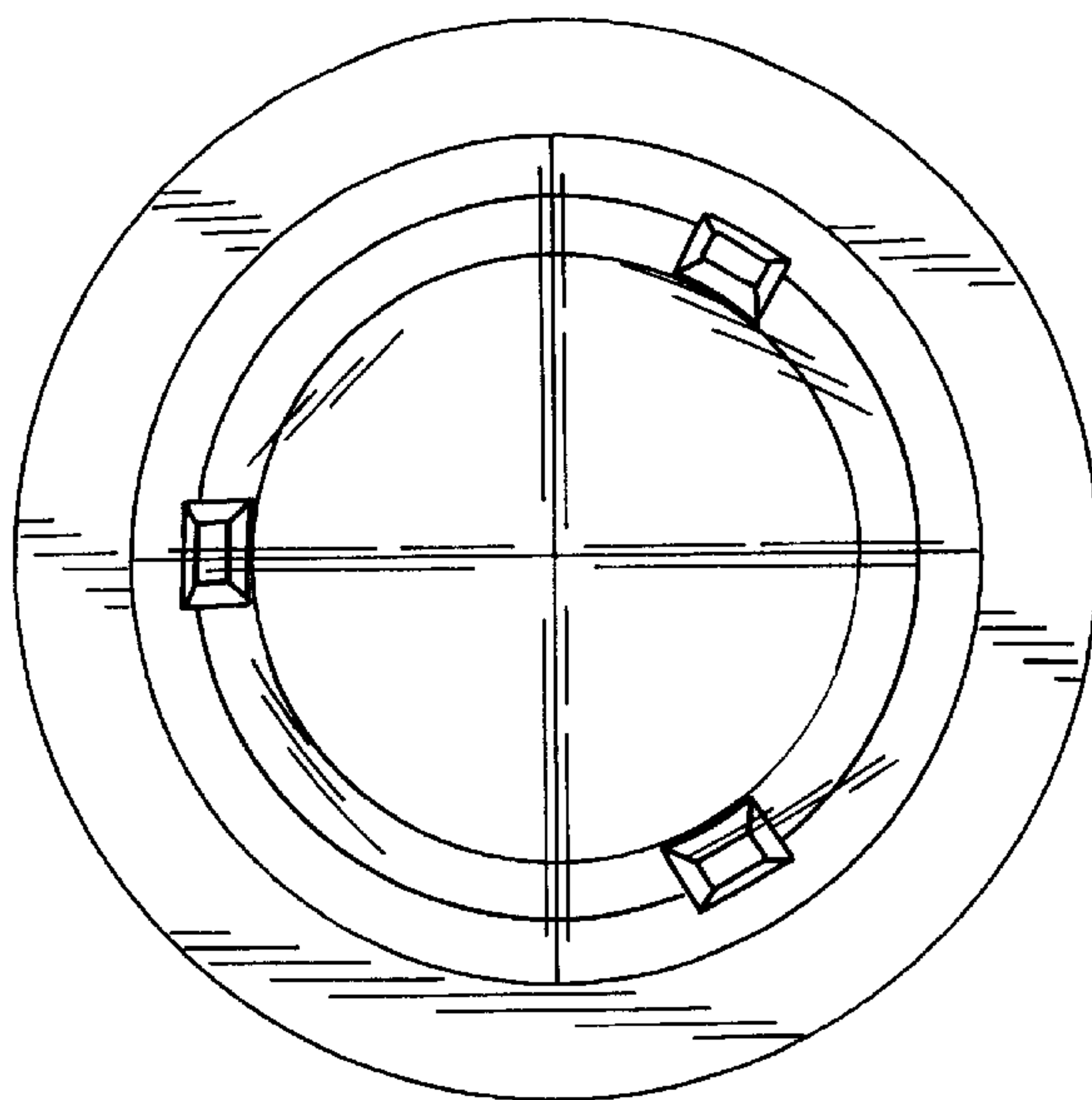


FIG. 3

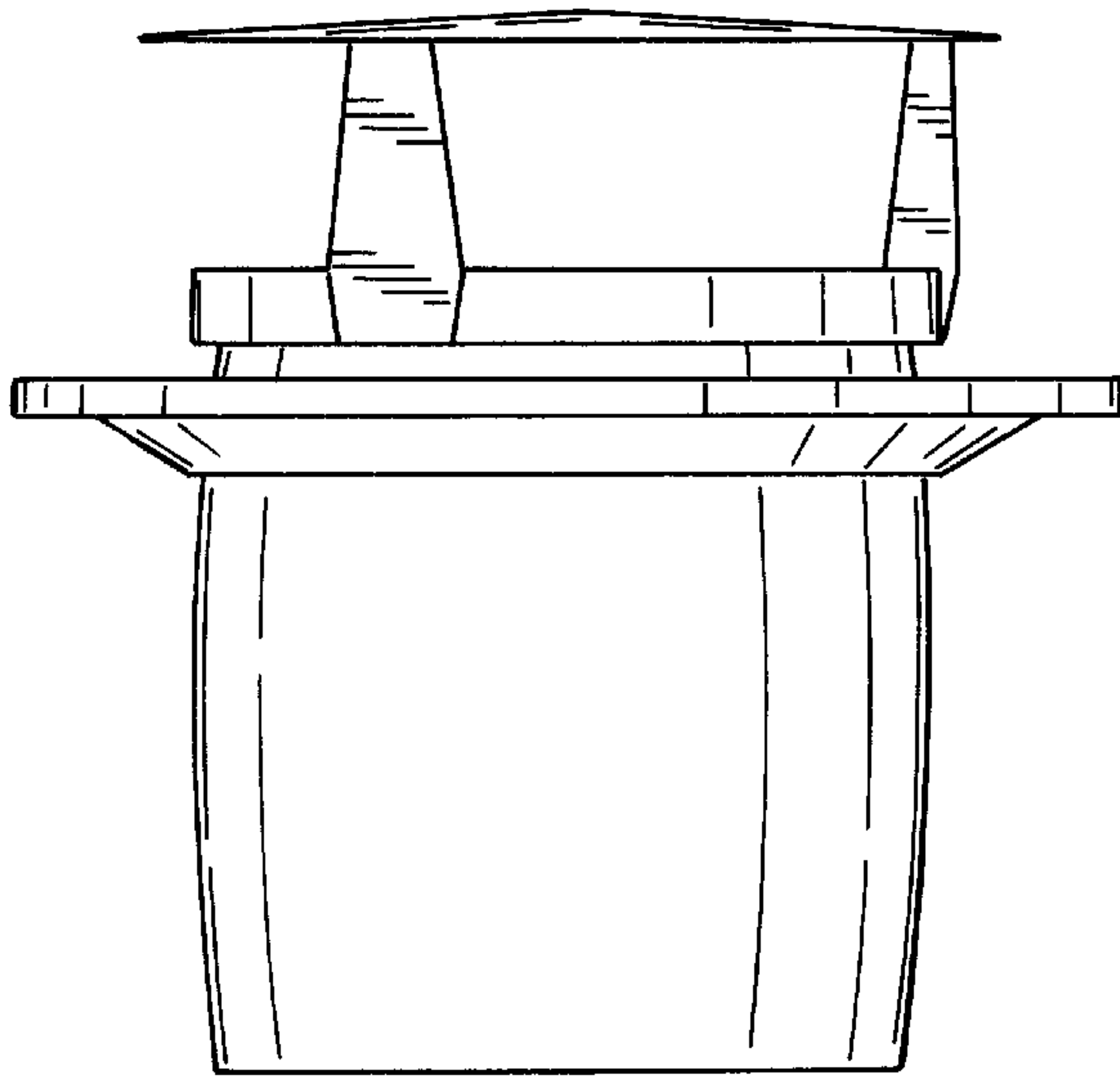


FIG. 4

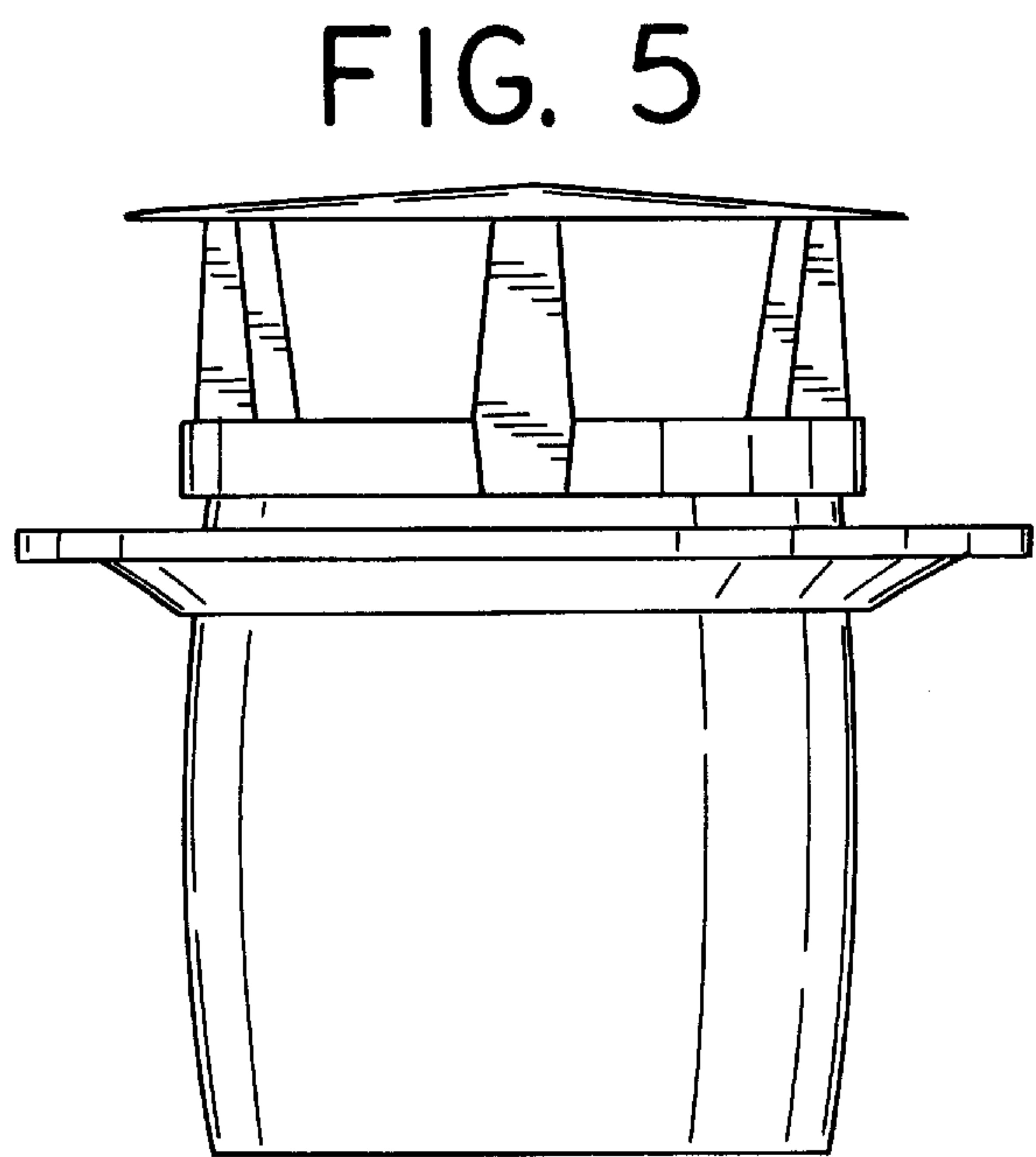


FIG. 5

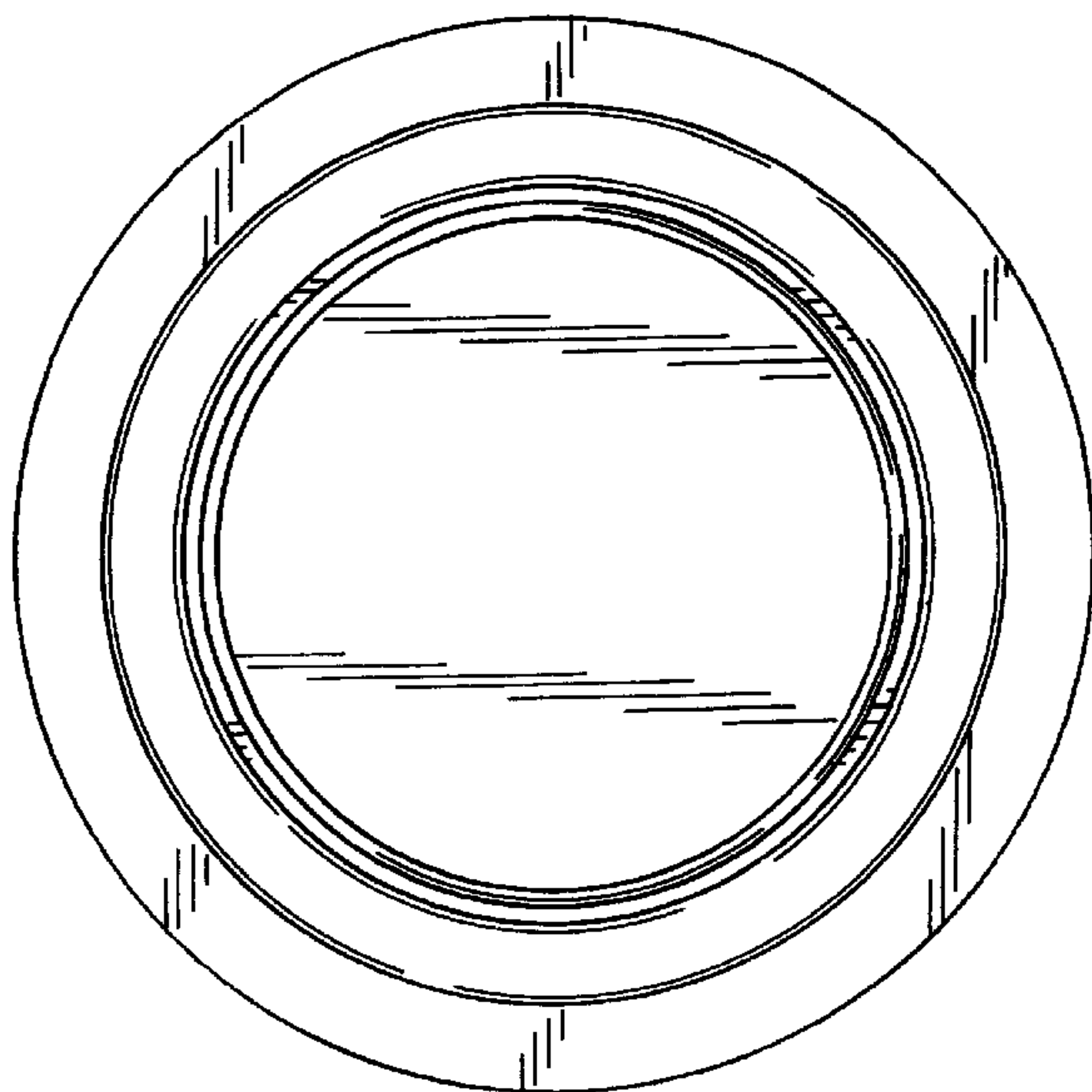


FIG. 6