



US00D405298S

United States Patent [19] Jarvis

[11] **Patent Number:** **Des. 405,298**

[45] **Date of Patent:** ****Feb. 9, 1999**

[54] **FOOD SERVICE BAR**

[75] **Inventor:** **Charles W. Jarvis**, Irvine, Calif.

[73] **Assignee:** **Cambro Manufacturing Company**,
Huntington Beach, Calif.

[**] **Term:** **14 Years**

[21] **Appl. No.:** **76,702**

[22] **Filed:** **Sep. 18, 1997**

[51] **LOC (6) Cl.** **06-04**

[52] **U.S. Cl.** **D6/470**

[58] **Field of Search** D6/449, 470-472,
D6/473, 474, 436-439, 481; D25/1, 16;
312/114, 116-118, 126-130, 138.1, 140.1,
140.2; 52/36.1, 36.5

[56] **References Cited**

U.S. PATENT DOCUMENTS

- D. 240,378 7/1976 Weddendorf D6/471
- D. 263,263 3/1982 Barnhill D6/472

- D. 264,907 6/1982 Barnhill D6/471 X
- D. 365,475 12/1995 Sargent, III D6/481
- D. 368,606 4/1996 Sargent, III D6/481
- 1,861,405 5/1932 Brantferger 52/36.2 X

Primary Examiner—James Gandy
Assistant Examiner—Linda Brooks
Attorney, Agent, or Firm—George F. Bethel; Patience K. Bethel

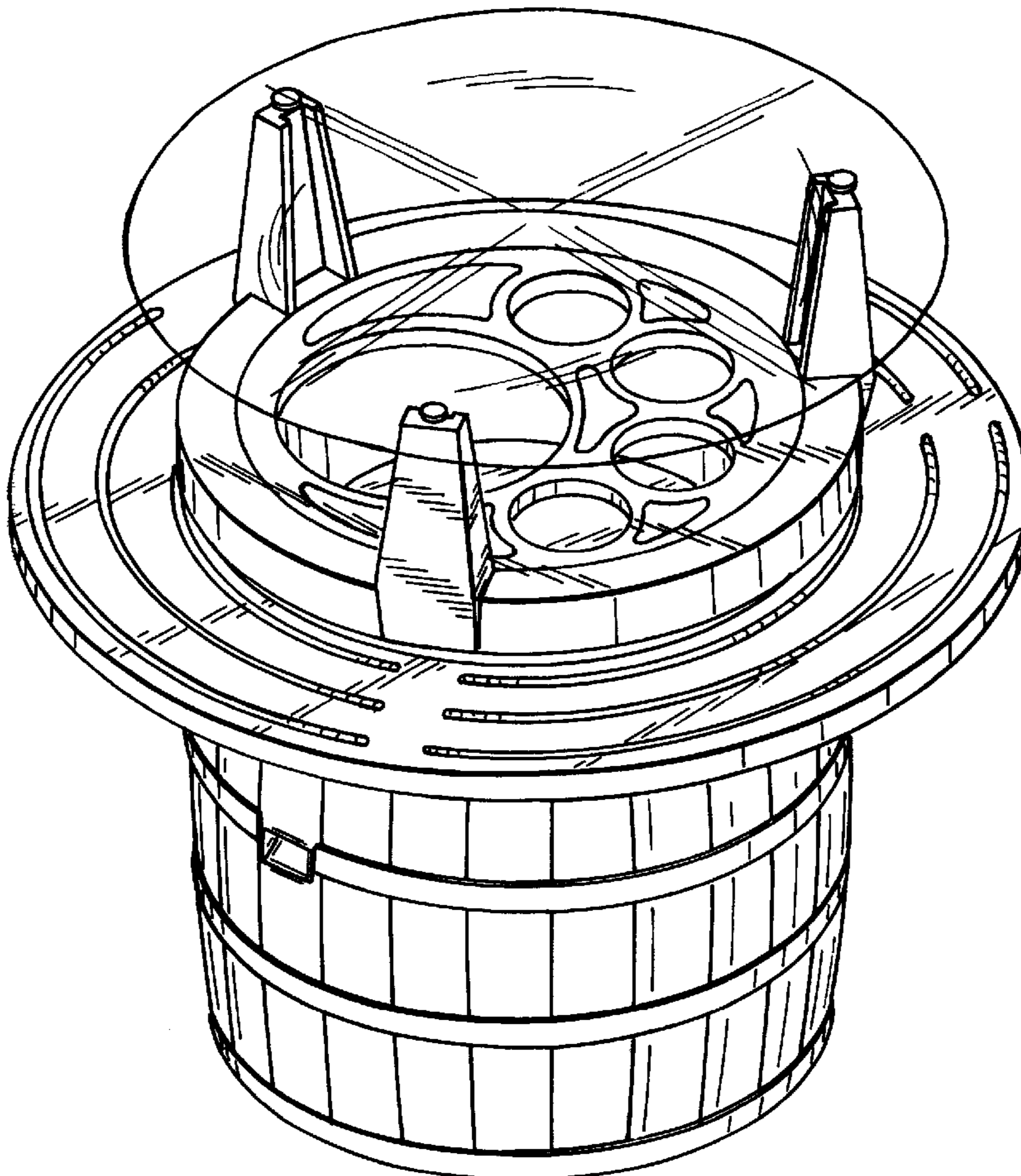
[57] **CLAIM**

The ornamental design for a food service bar, as shown.

DESCRIPTION

FIG. 1 shows a perspective view of my new design for a food service bar;
FIG. 2 shows a side elevation view;
FIG. 3 shows a top plan view;
FIG. 4 shows a side elevation view opposite from that of FIG. 2; and,
FIG. 5 shows a frontal elevation view as generally seen from the front view of FIG. 1.

1 Claim, 2 Drawing Sheets



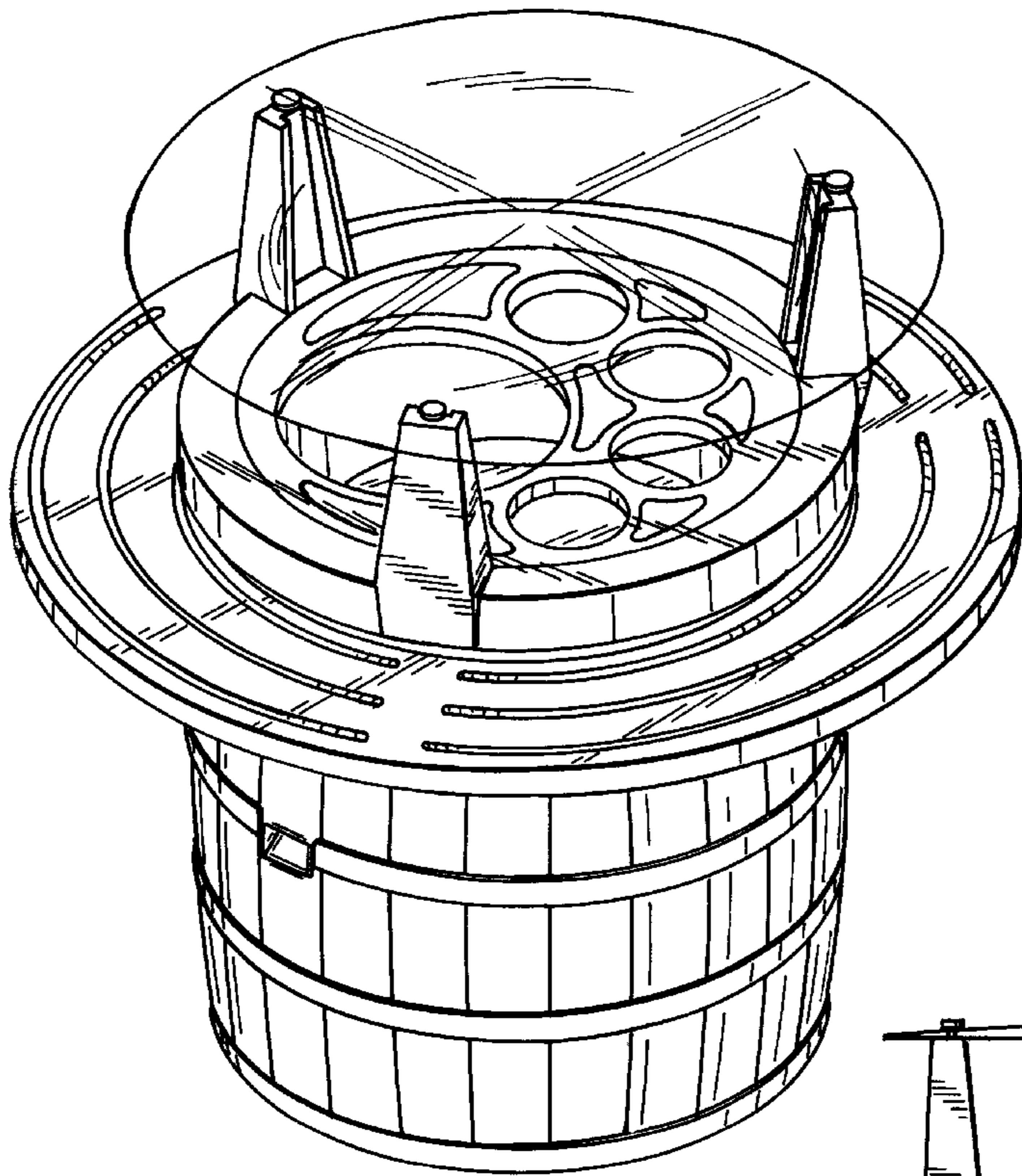


FIG. 1

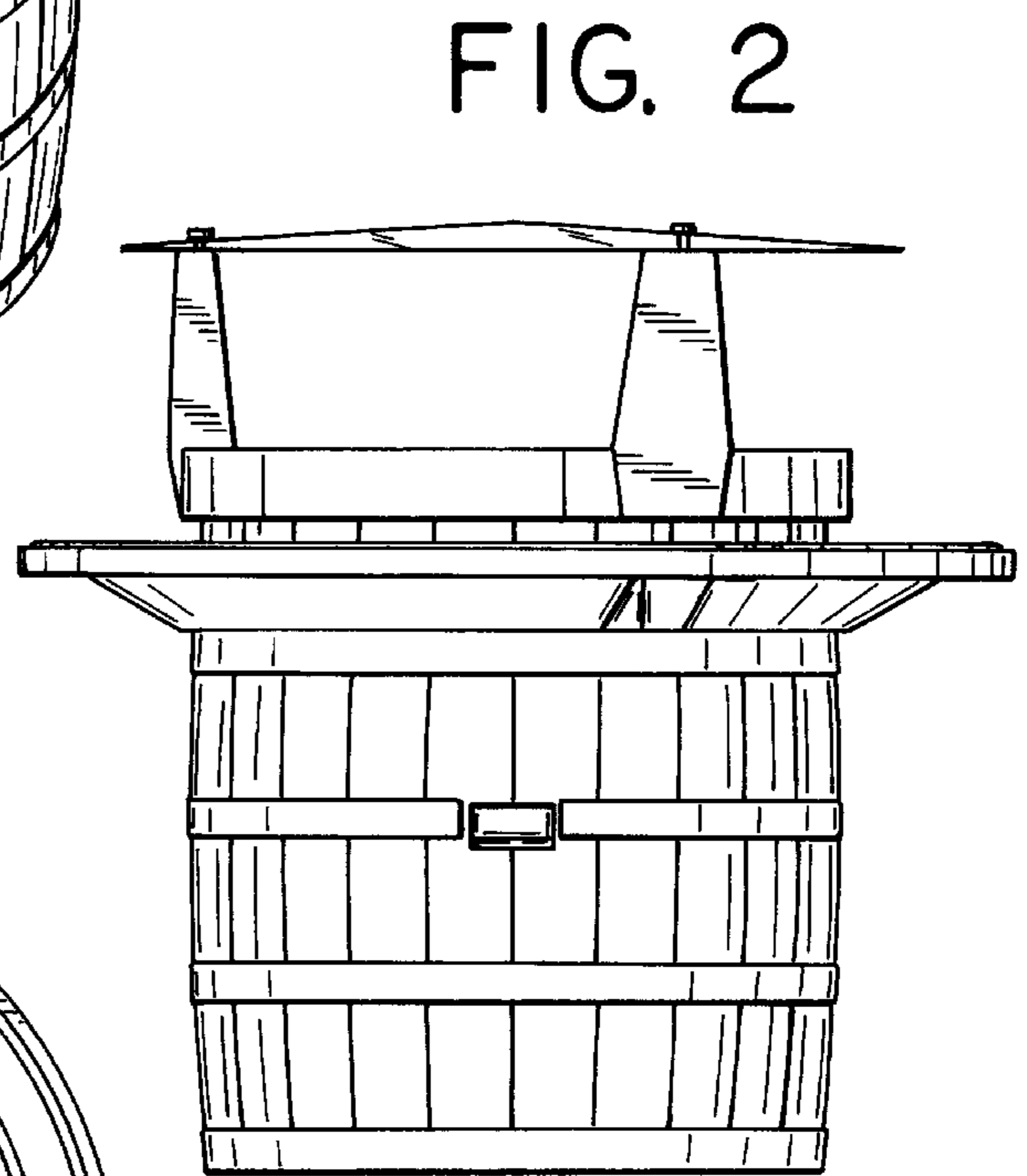


FIG. 2

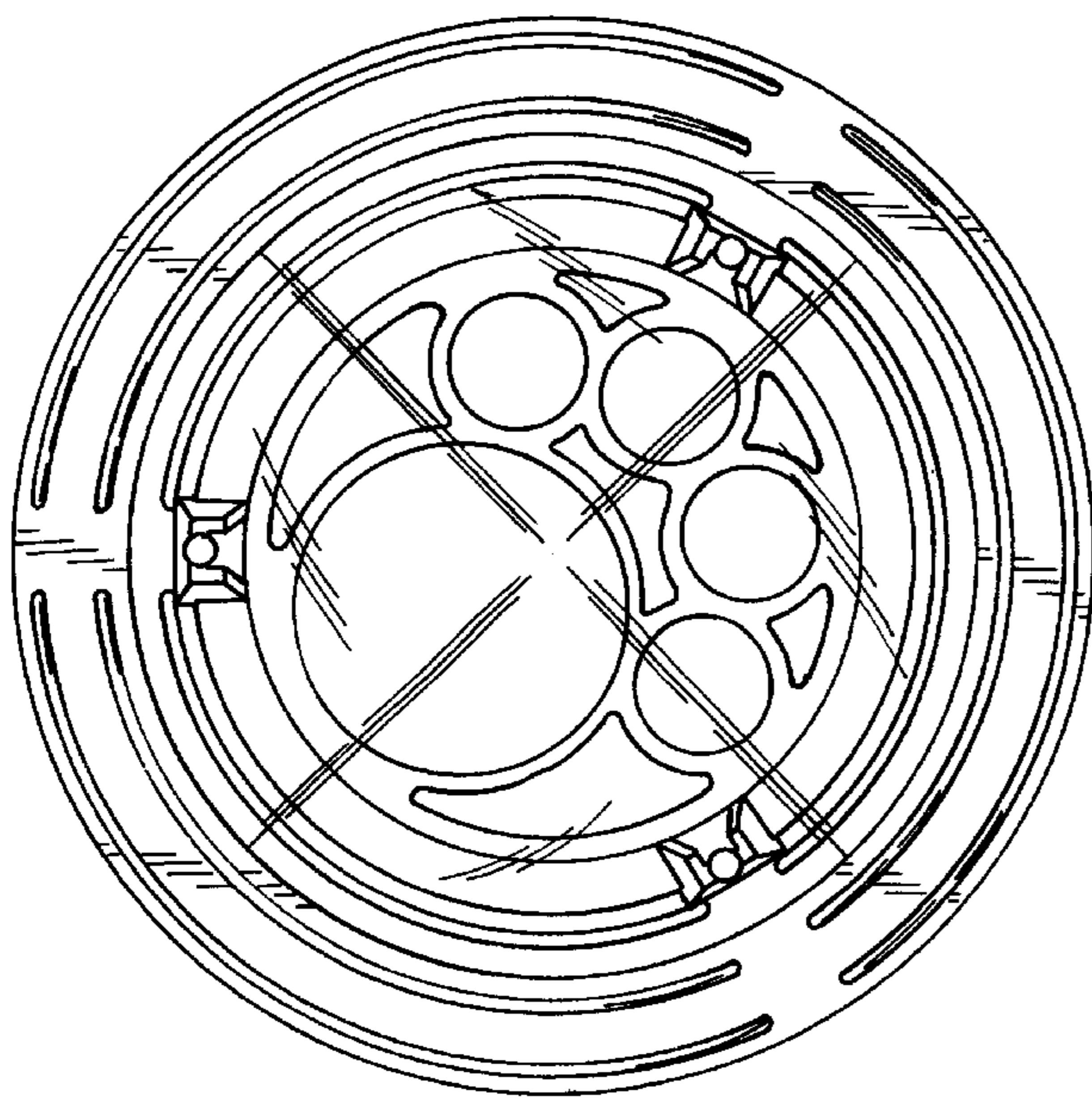


FIG. 3

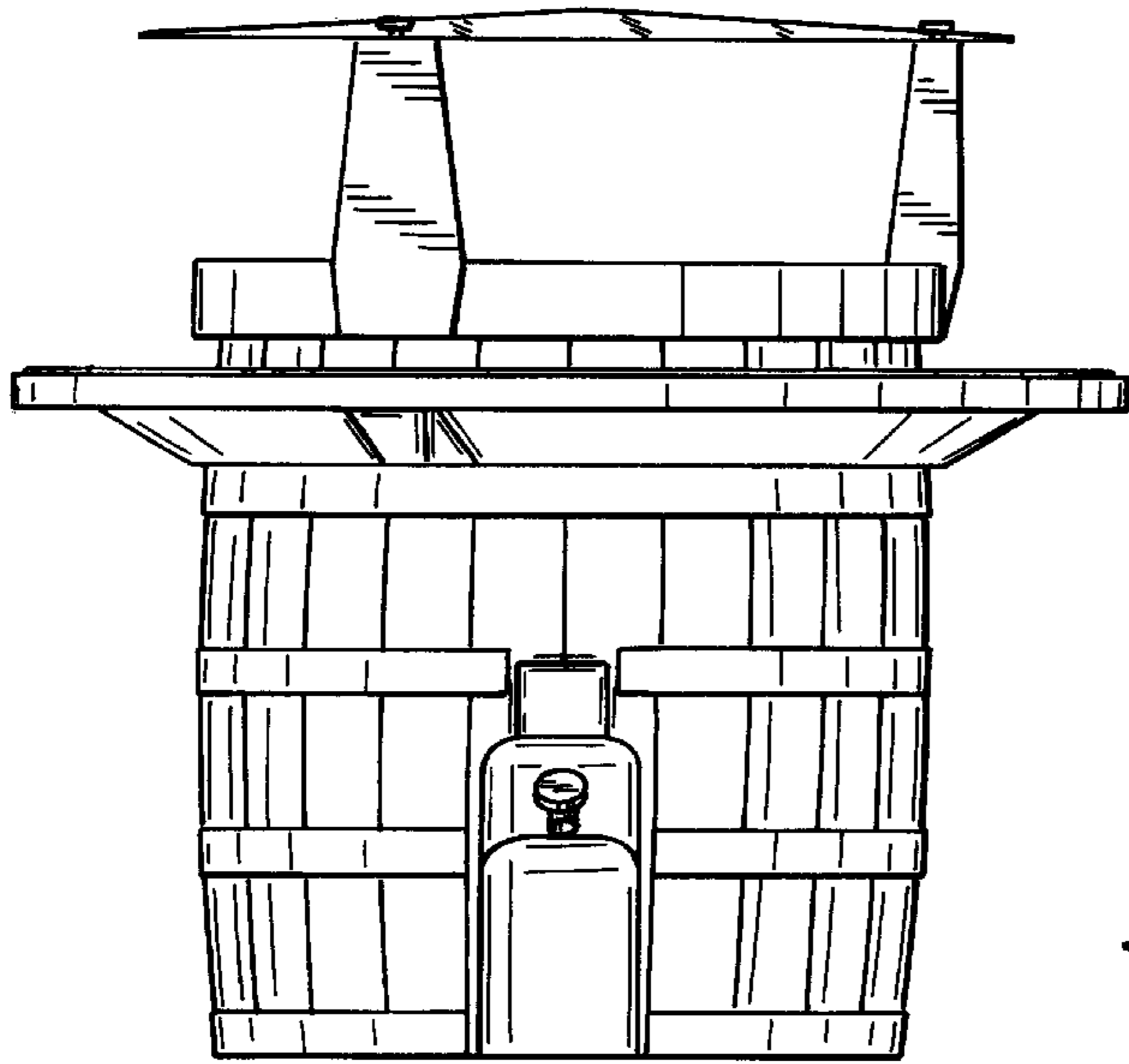


FIG. 4

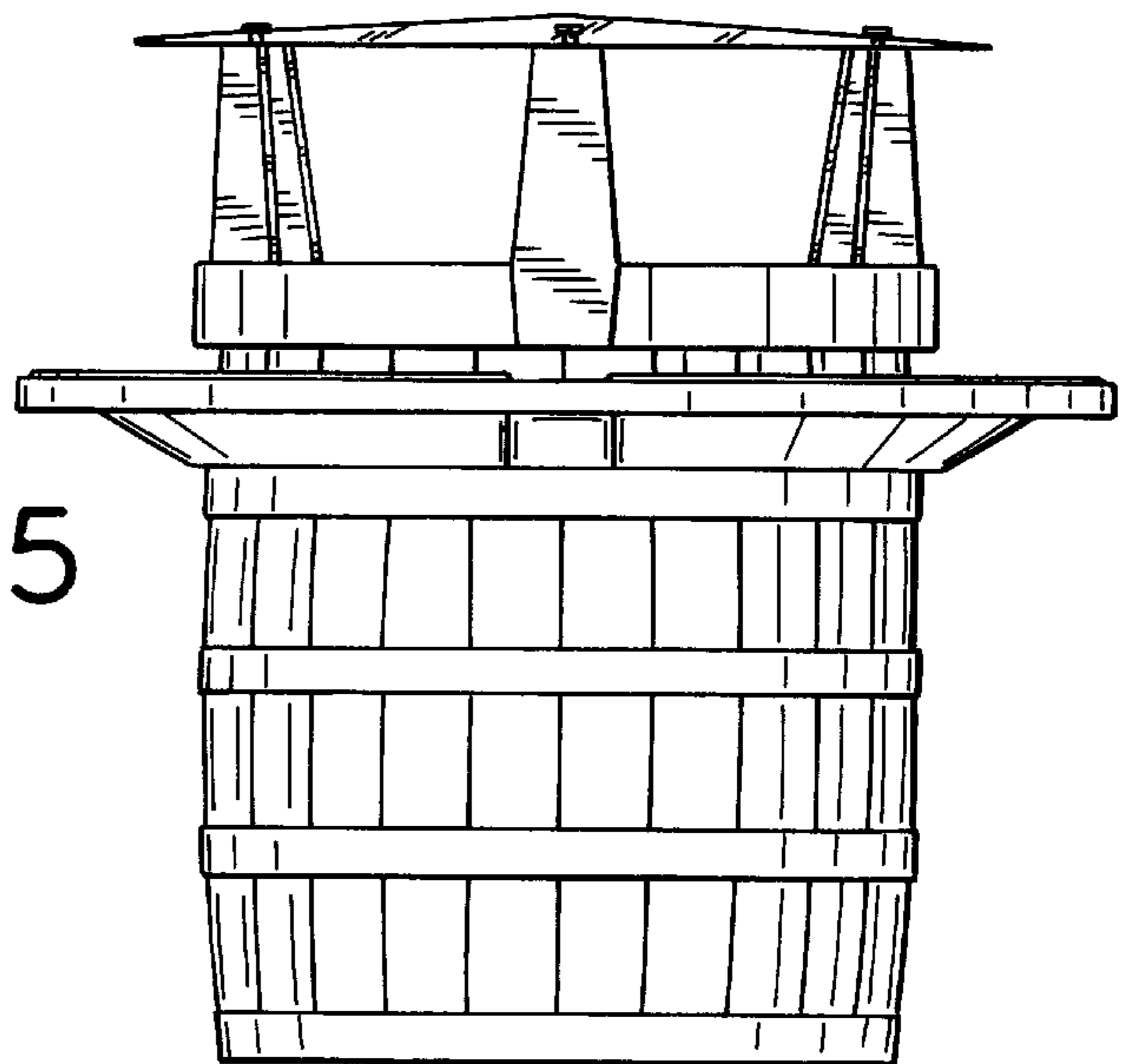


FIG. 5