



US00D405290S

United States Patent [19]
Hollinger

[11] **Patent Number: Des. 405,290**

[45] **Date of Patent: **Feb. 9, 1999**

[54] **PLANT TRIVET**

D. 198,802 8/1964 Cucullo D6/403
D. 346,568 5/1994 Bates D11/164

[75] Inventor: **Fred Hollinger**, Kings Park, N.Y.

Primary Examiner—Caron D. Veynar
Attorney, Agent, or Firm—Hedman, Gibson & Costigan,
P.C.

[73] Assignee: **American Tack & Hardware Co.,
Inc.**, Monsey, N.Y.

[**] Term: **14 Years**

[57] **CLAIM**

[21] Appl. No.: **82,890**

The ornamental design for a plant trivet, as shown and described.

[22] Filed: **Jan. 30, 1998**

DESCRIPTION

[51] **LOC (6) Cl.** **11-02**

FIG. 1 is a front perspective view of the plant trivet according to my design;

[52] **U.S. Cl.** **D6/403; D7/388**

FIG. 2 is a front view of my design;

[58] **Field of Search** D6/403; D11/143-156,
D11/164; 47/39, 44; 206/423; 248/27.8;
D7/388

FIG. 3 is a back view of my design;

FIG. 4 is a left side view of my design which is a mirror image of the right side of my design;

[56] **References Cited**

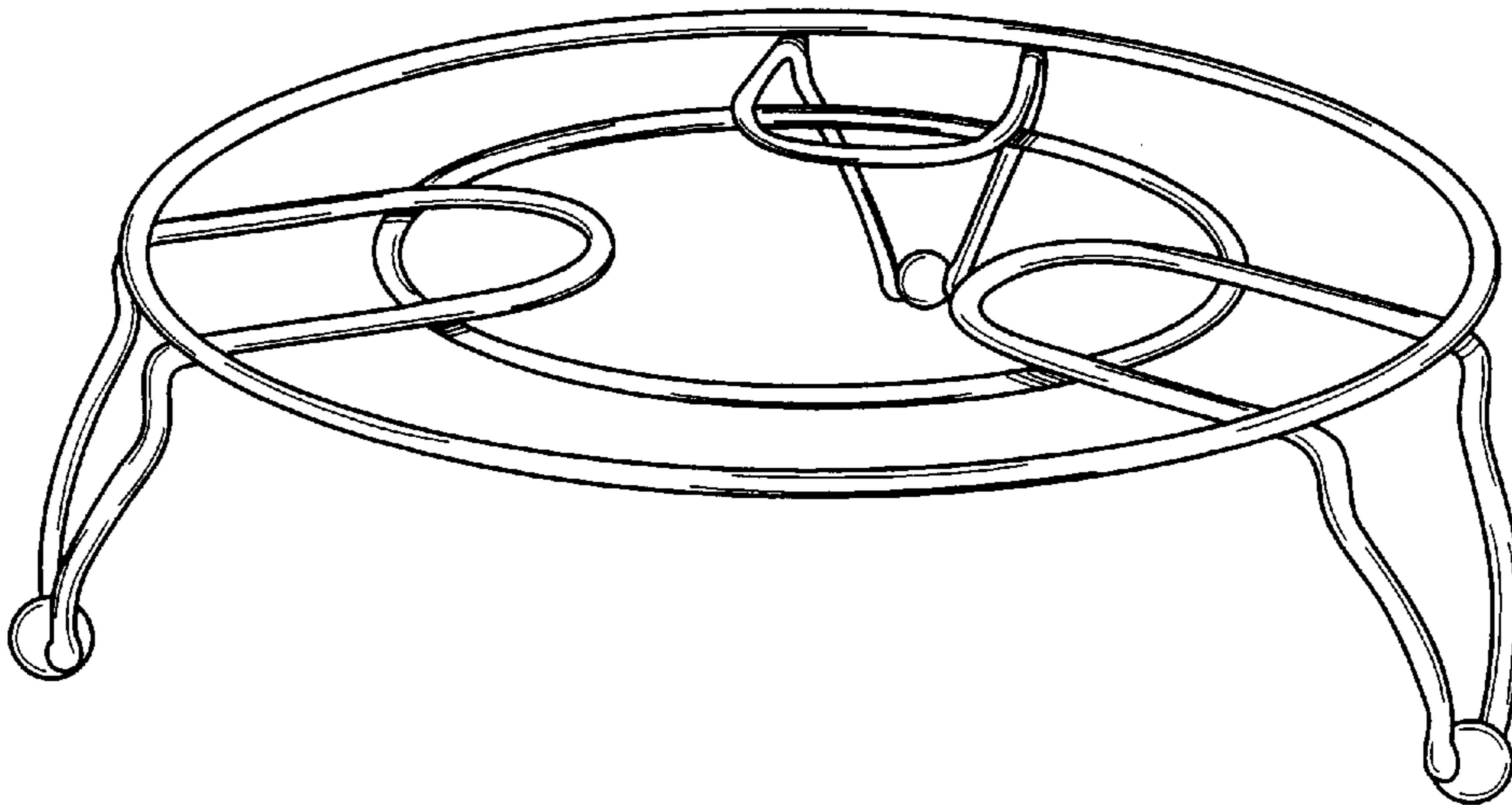
FIG. 5 is a top view of my design; and,

FIG. 6 is a bottom view of my design.

U.S. PATENT DOCUMENTS

D. 193,942 10/1962 Wagnitz D6/403

1 Claim, 4 Drawing Sheets



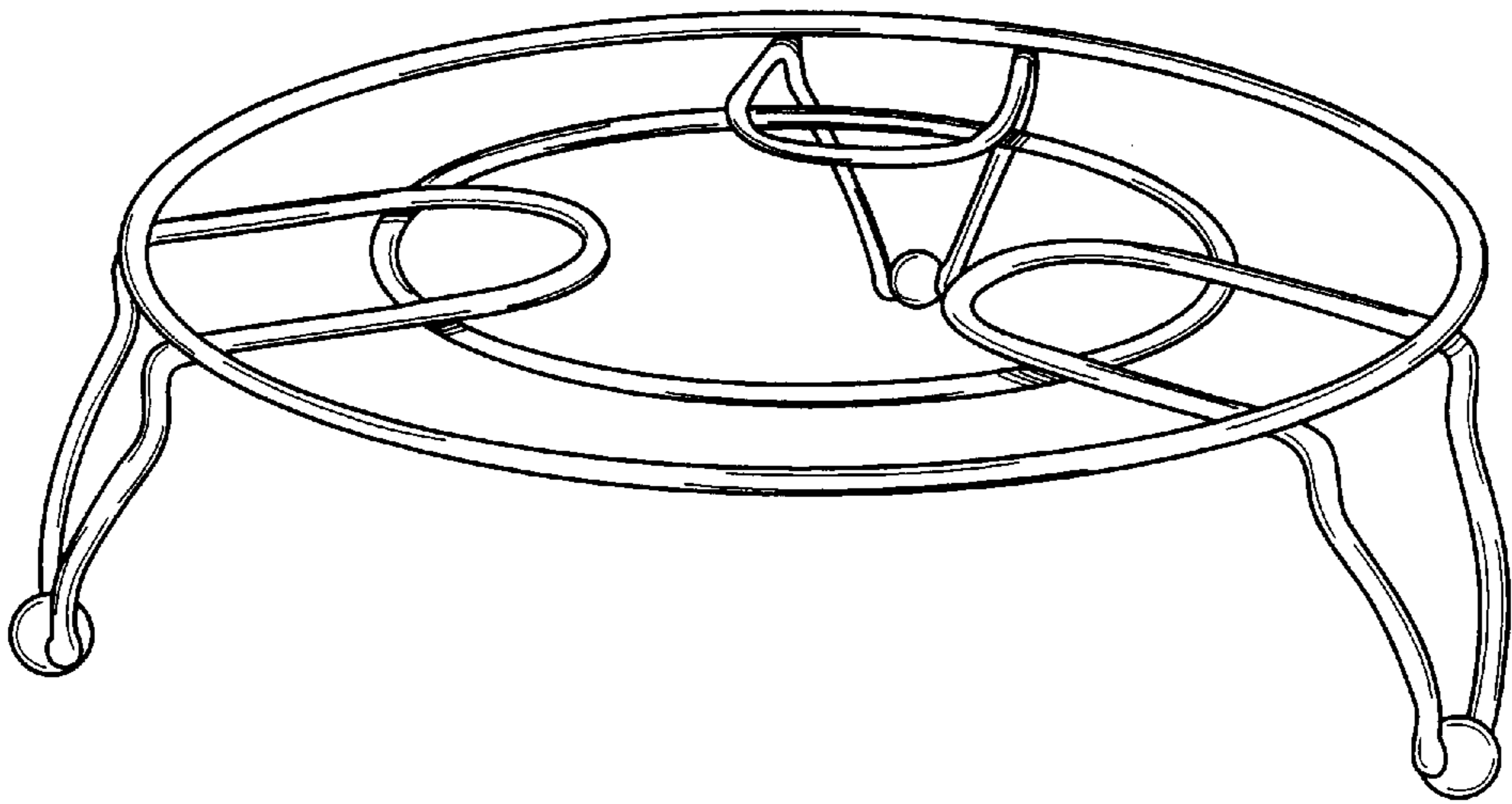


FIG. 1

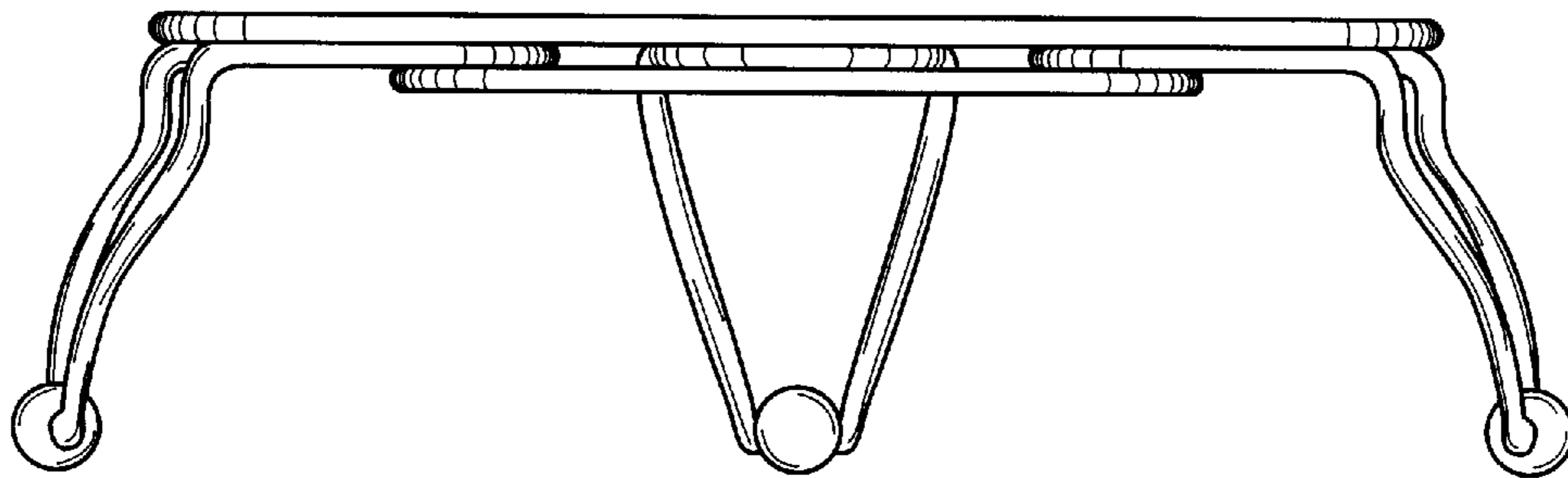


FIG. 2

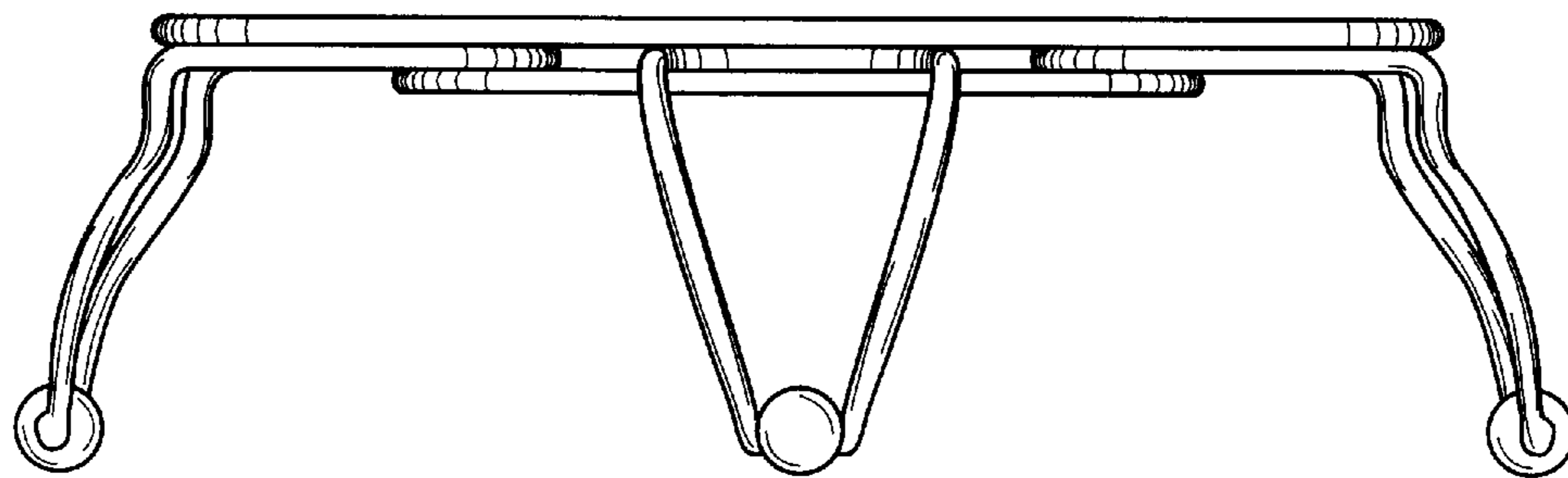


FIG. 3

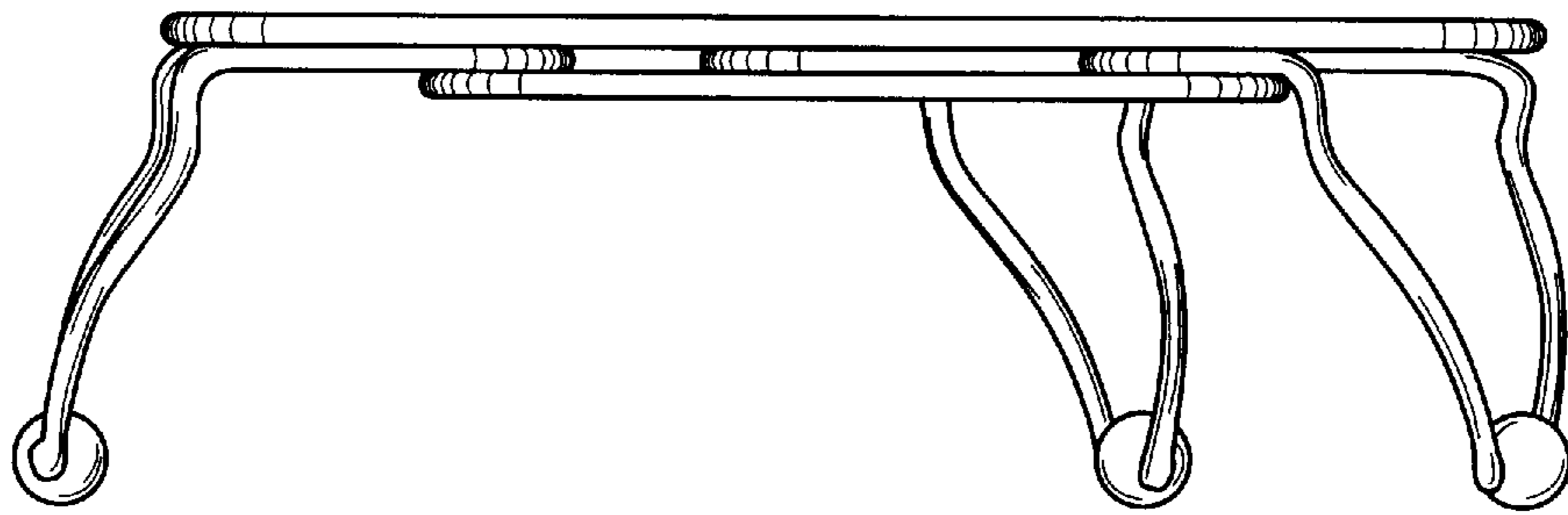


FIG. 4

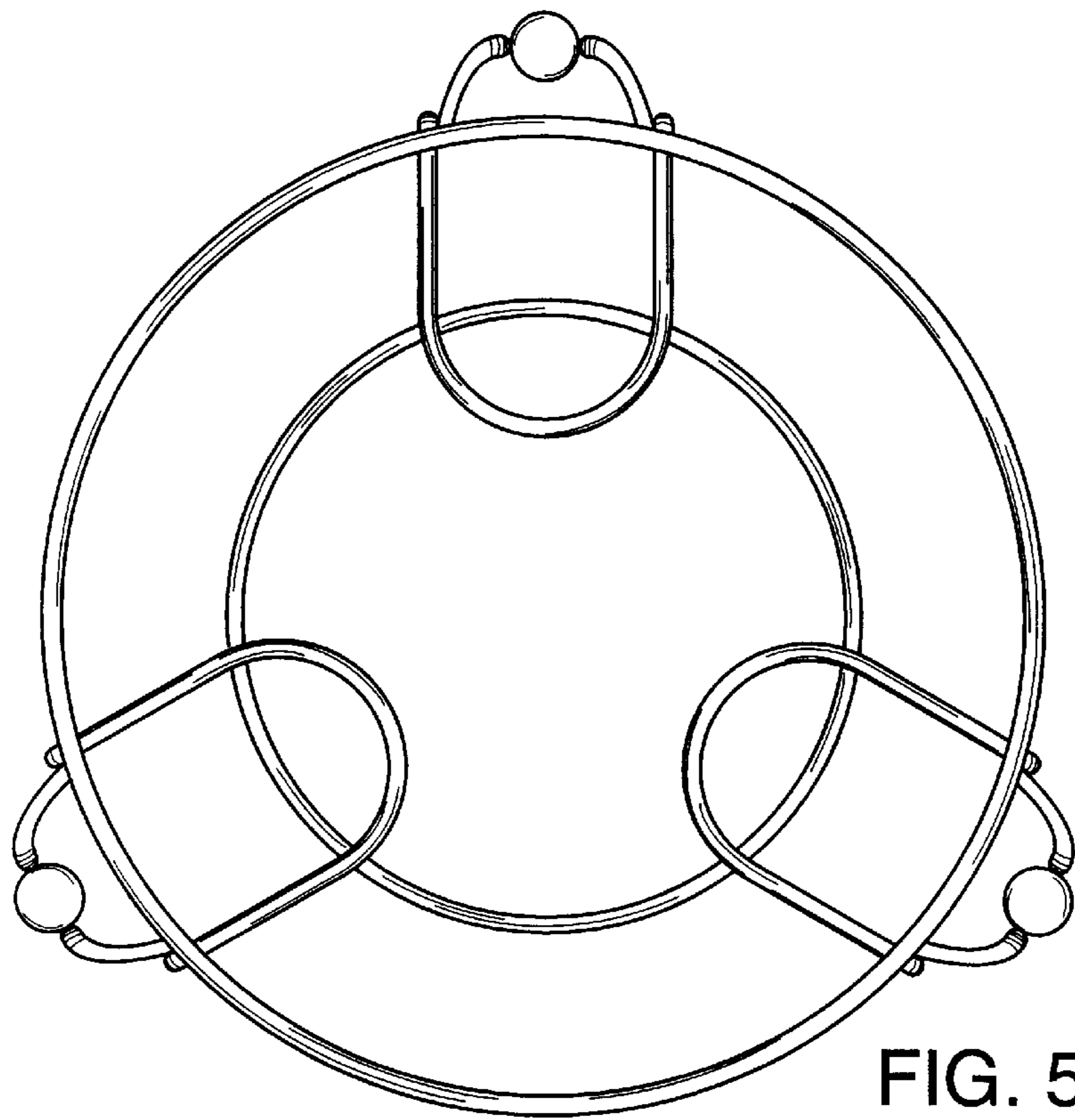


FIG. 5

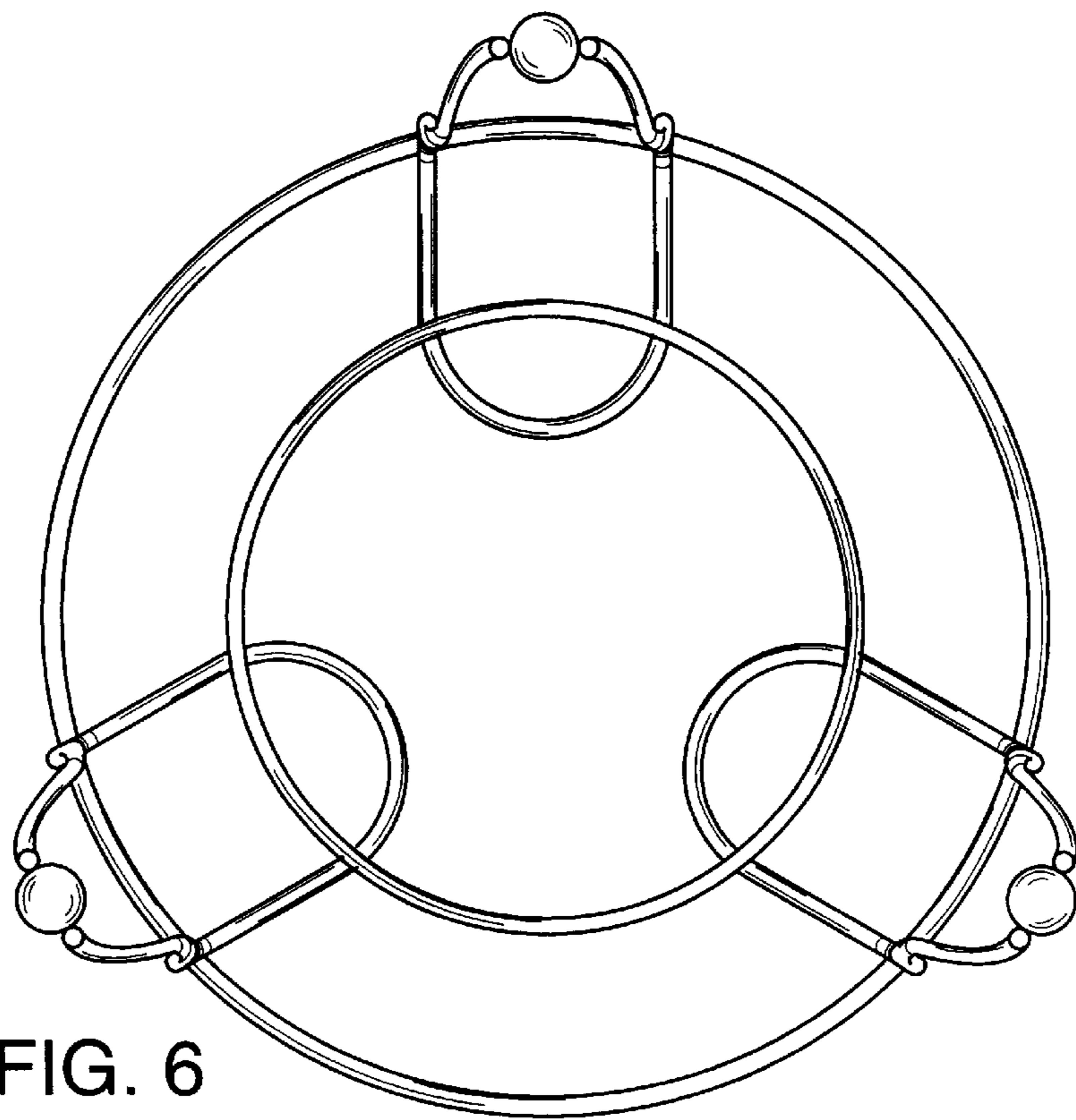


FIG. 6