



US00D405289S

United States Patent [19]
Rosenberg

[11] **Patent Number:** **Des. 405,289**

[45] **Date of Patent:** ****Feb. 9, 1999**

[54] **COCOPLANTER WITH LEAF**

[75] Inventor: **Debbie Rosenberg**, New City, N.Y.

[73] Assignee: **American Tack & Hardware Co., Inc.**, Monsey, N.Y.

[**] Term: **14 Years**

[21] Appl. No.: **77,308**

[22] Filed: **Oct. 2, 1997**

[51] **LOC (6) Cl.** **11-02**

[52] **U.S. Cl.** **D6/403; D6/513; D6/556**

[58] **Field of Search** D6/403, 405, 556,
D6/513; D11/143-156; 47/65.5, 65.7, 68,
72, 39, 40, 41.01, 67; 206/423; 248/27.8

[56] **References Cited**

U.S. PATENT DOCUMENTS

5,390,443 2/1995 Emalfarb et al. 47/67

OTHER PUBLICATIONS

Cobra Co. Decorative Lawn & Garden Products catalog; p. 13 Decorative hanging baskets; European Style; Prairie Style and Contemporary Style, Aug. 15, 1995.

Primary Examiner—Caron D. Veynar
Attorney, Agent, or Firm—Hedman, Gibson & Costigan, P.C.

[57] **CLAIM**

The ornamental design for a cocoplanter with leaf, as shown and described.

DESCRIPTION

FIG. 1 is a top perspective view of a cocoplanter with leaf according to my design;

FIG. 2 is a top view of my design;

FIG. 3 is a front view of my design;

FIG. 4 is a left side view of my design which is the mirror image of the right side view of my design;

FIG. 5 is a back view of my design; and,

FIG. 6 is a bottom view of my design.

1 Claim, 4 Drawing Sheets

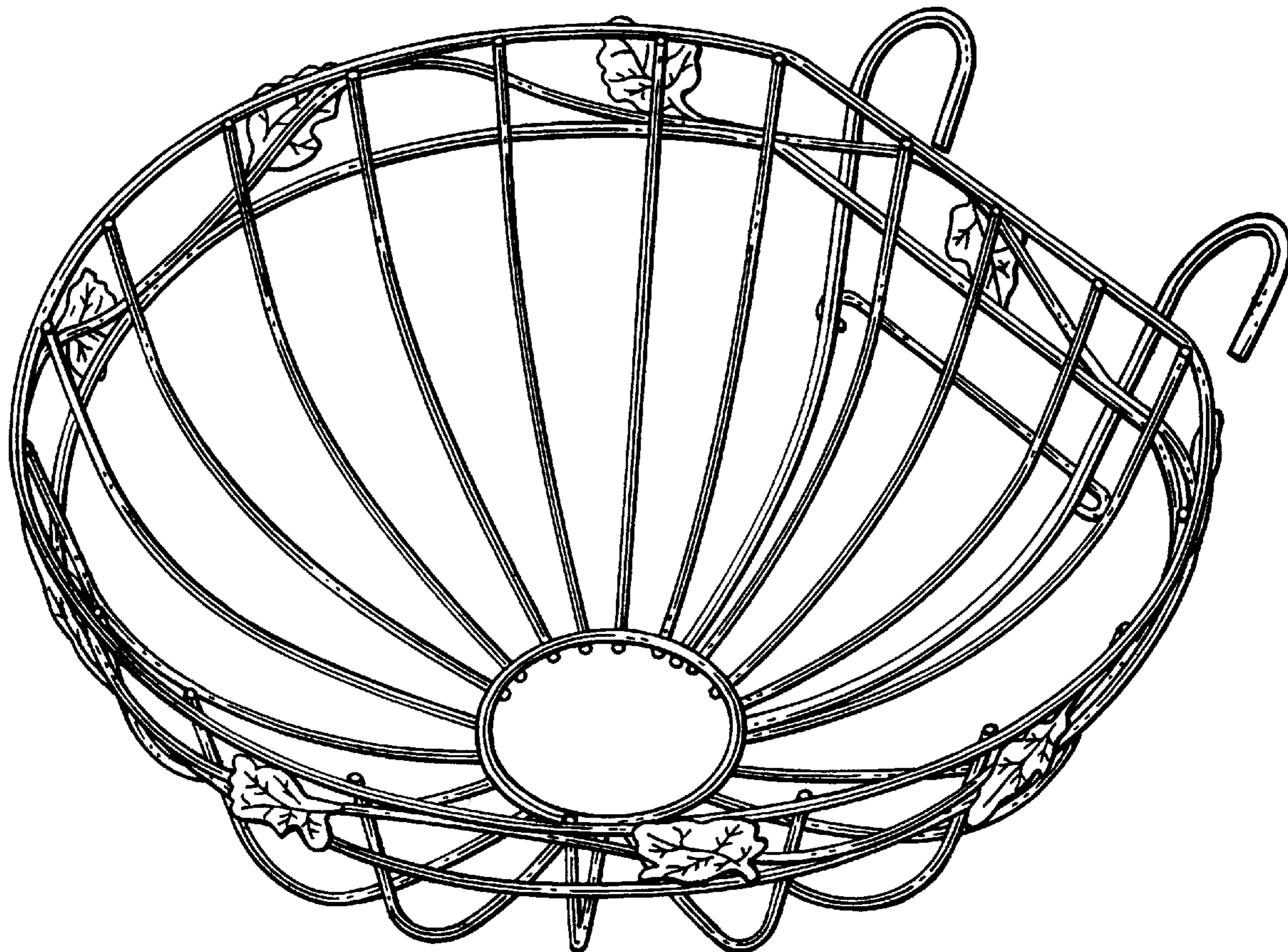


FIG. 1

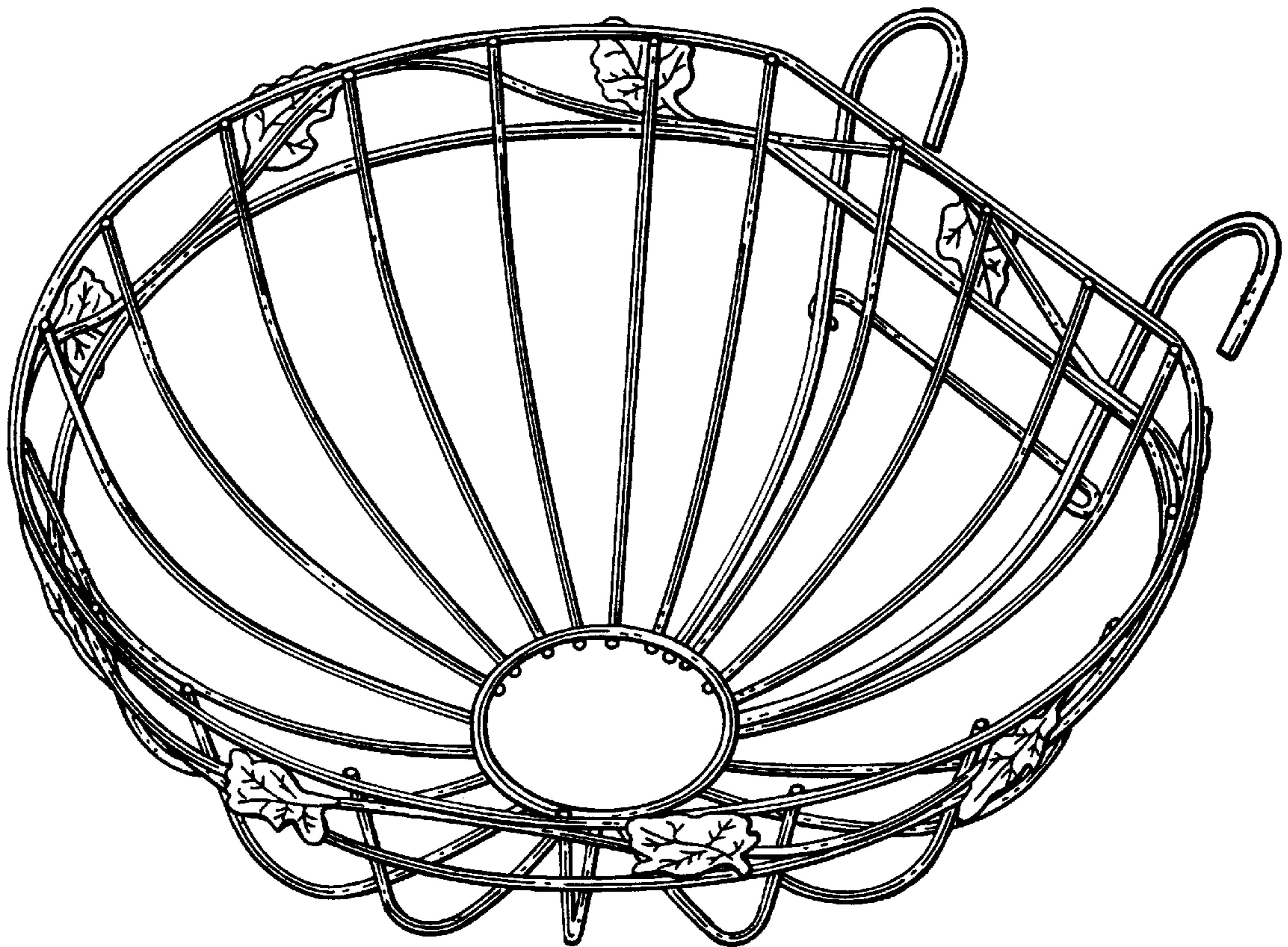


FIG. 2

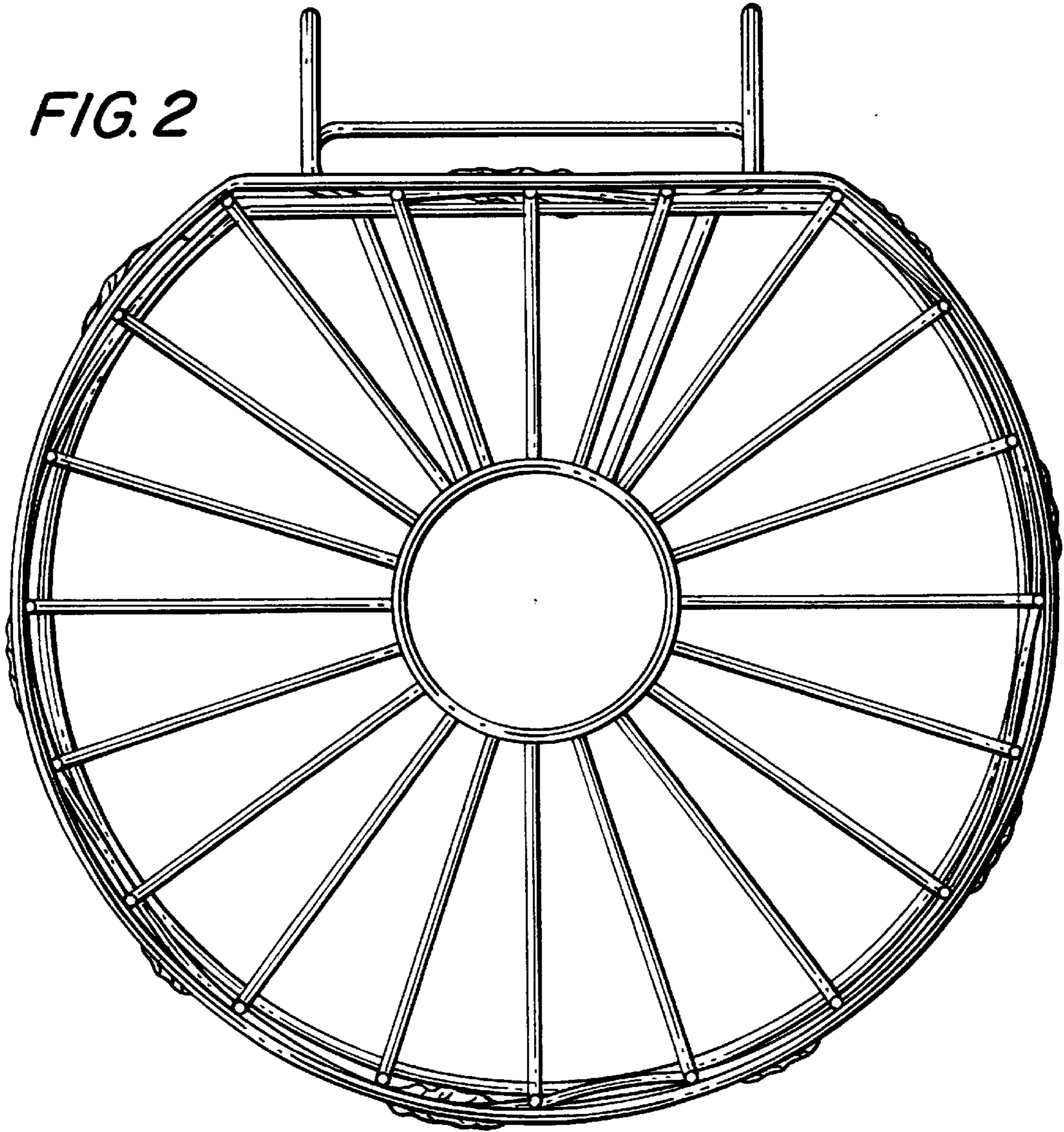


FIG. 3

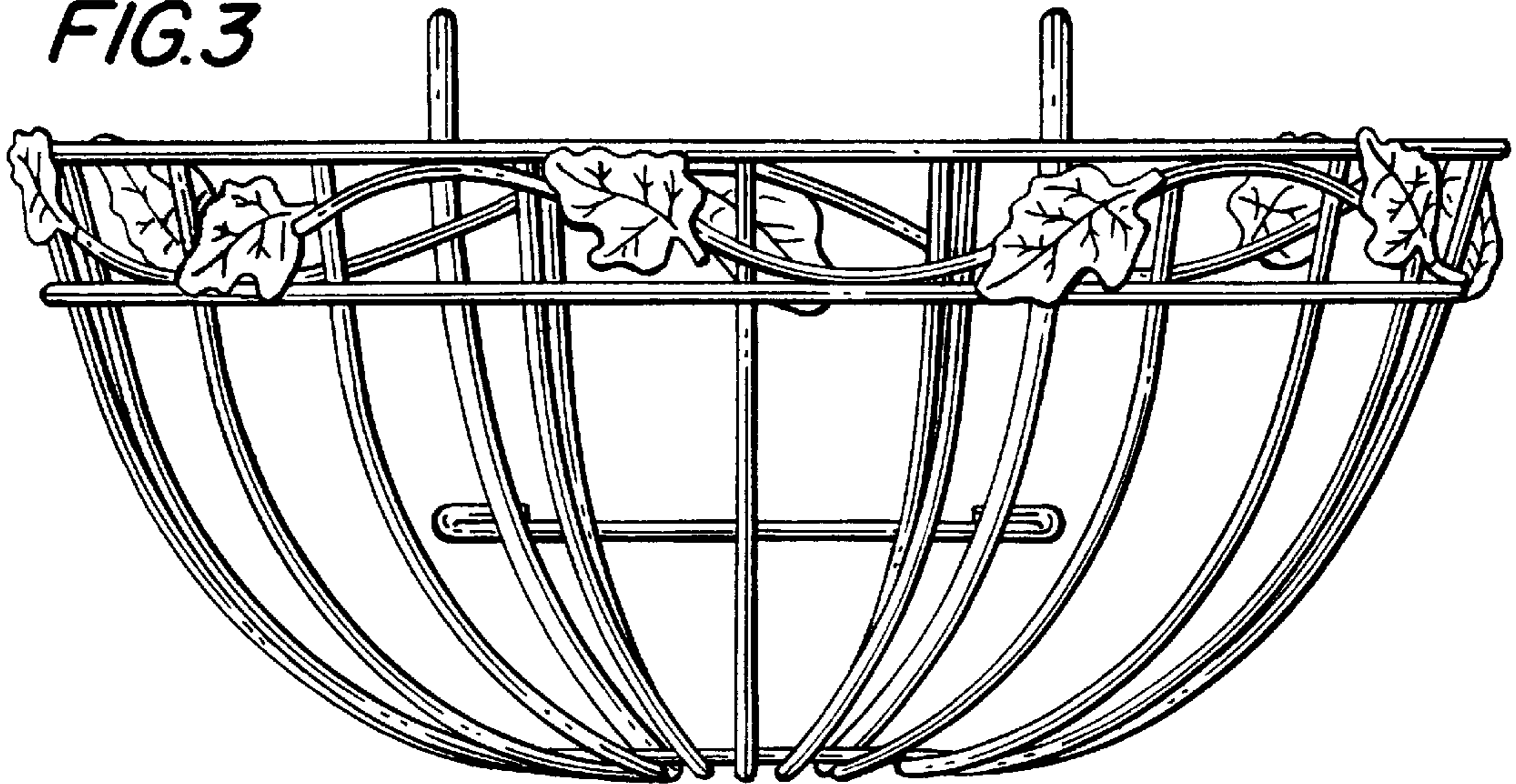


FIG. 4

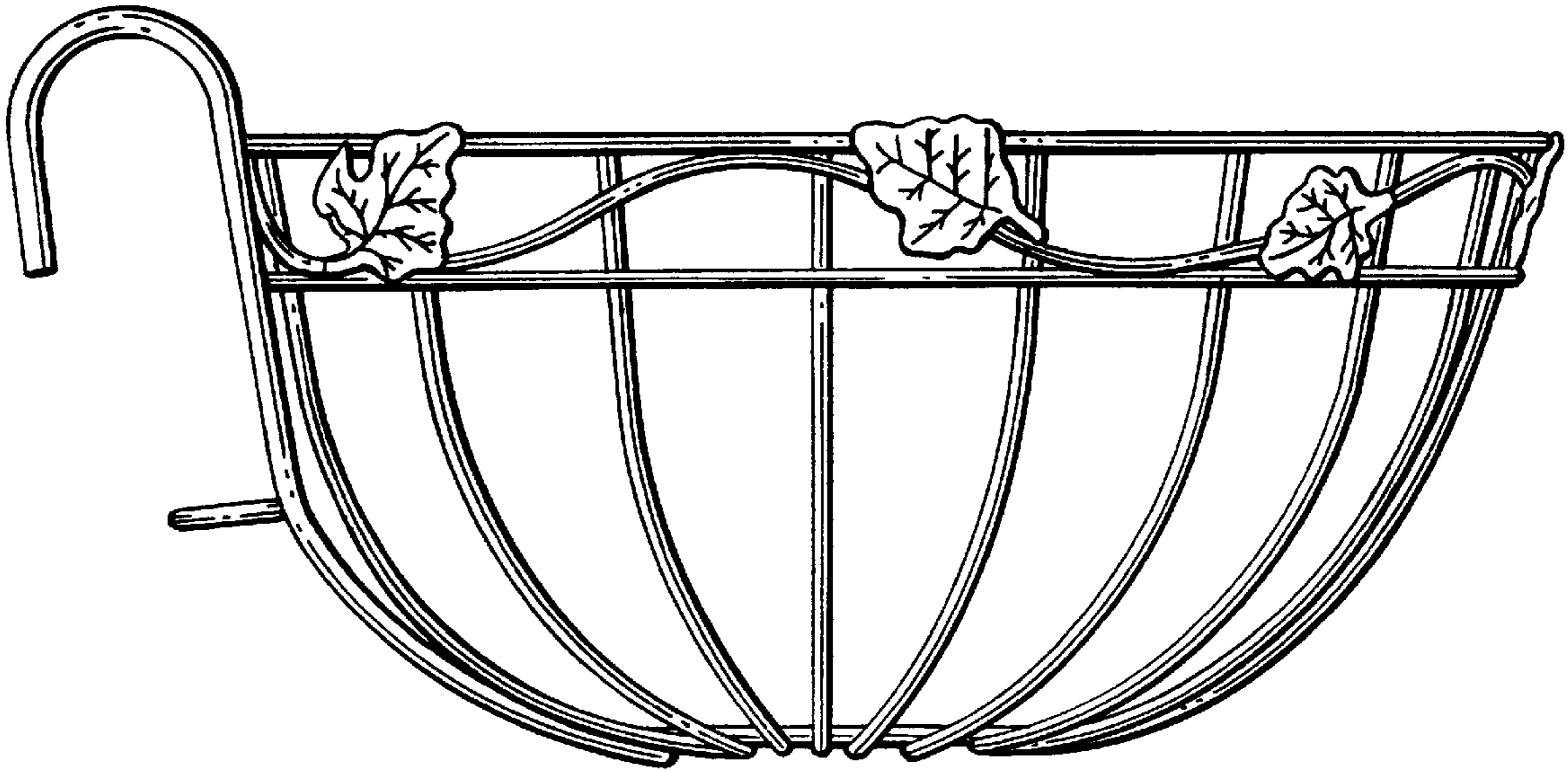


FIG. 5

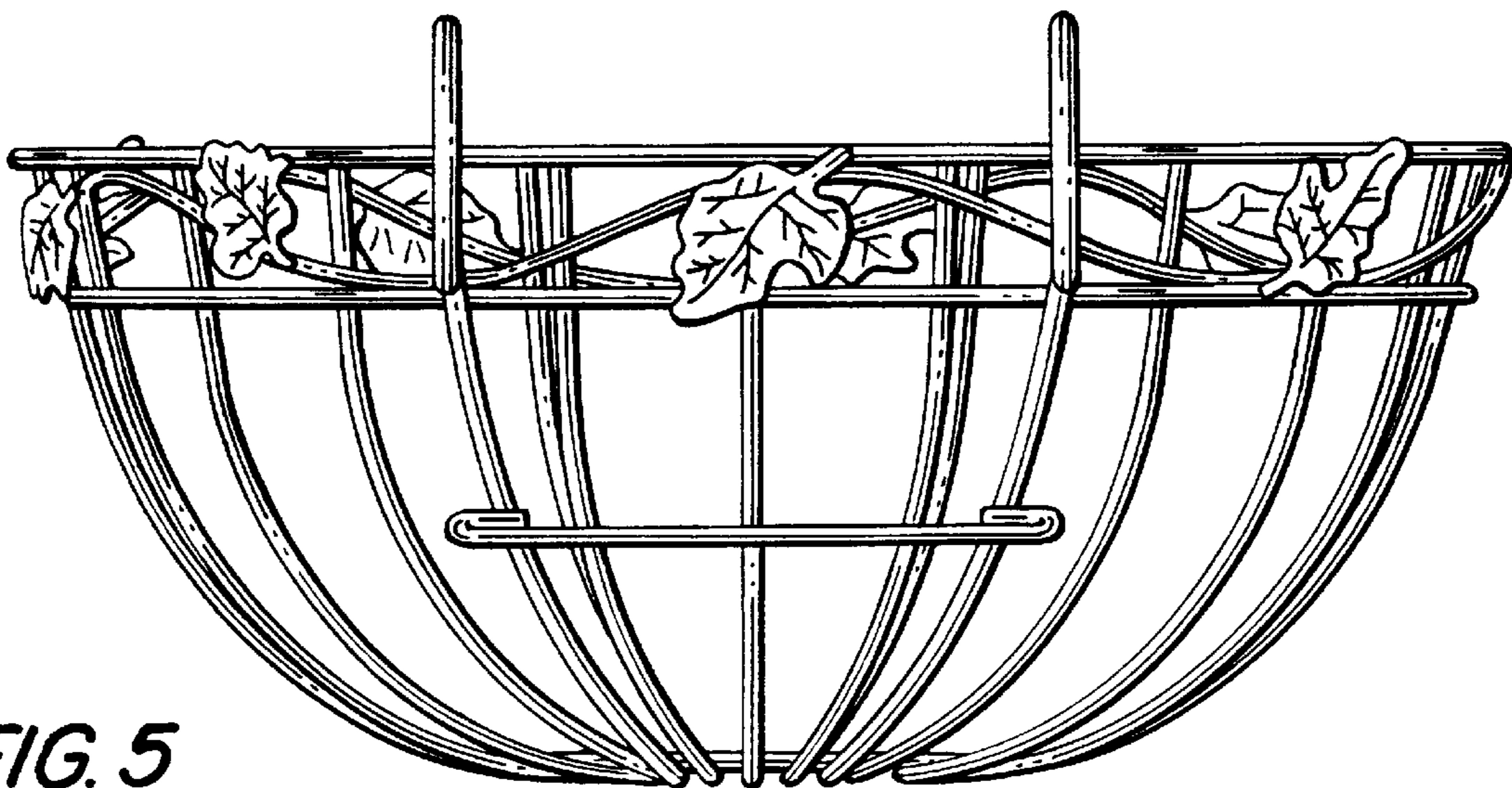


FIG. 6

