



US00D405288S

**United States Patent** [19]  
**Woodhams**

[11] **Patent Number: Des. 405,288**

[45] **Date of Patent: \*\*Feb. 9, 1999**

[54] **BUNK BED**

[76] Inventor: **David M. Woodhams**, 140 Spumante,  
Counce, Tenn. 38326

[\*\*] Term: **14 Years**

[21] Appl. No.: **77,950**

[22] Filed: **Oct. 14, 1997**

[51] **LOC (6) Cl.** ..... **06-01**

[52] **U.S. Cl.** ..... **D6/383; D6/382**

[58] **Field of Search** ..... D6/382, 383, 384,  
D6/393-395, 505-508; 5/53.1, 279.1, 280,  
907, 8, 9.1

[56] **References Cited**

**U.S. PATENT DOCUMENTS**

D. 250,499 12/1978 O'Gwin, Jr. et al. .... D6/388  
3,886,604 6/1975 Ewing ..... 5/8

**OTHER PUBLICATIONS**

IKEA 1987, p. 135, REKO bunk bed at top.  
Brill Pine, Sep. 15, 1975, p. 12, 548 bunk bed.

*Primary Examiner*—Janice E. Seeger  
*Attorney, Agent, or Firm*—Roger M. Rickert

[57] **CLAIM**

The ornamental design for a bunk bed, as shown and described.

**DESCRIPTION**

FIG. 1 is a perspective view showing the top, end, and one side of a bunk bed illustrating my new design;

FIG. 2 is a side elevation view thereof the opposite side being identical thereto;

FIG. 3 is an end elevation view thereof from the end visible in FIG. 1;

FIG. 4 is an end elevation view thereof from the end opposite FIG. 3;

FIG. 5 is a top plan view thereof;

FIG. 6 is a bottom plan view thereof;

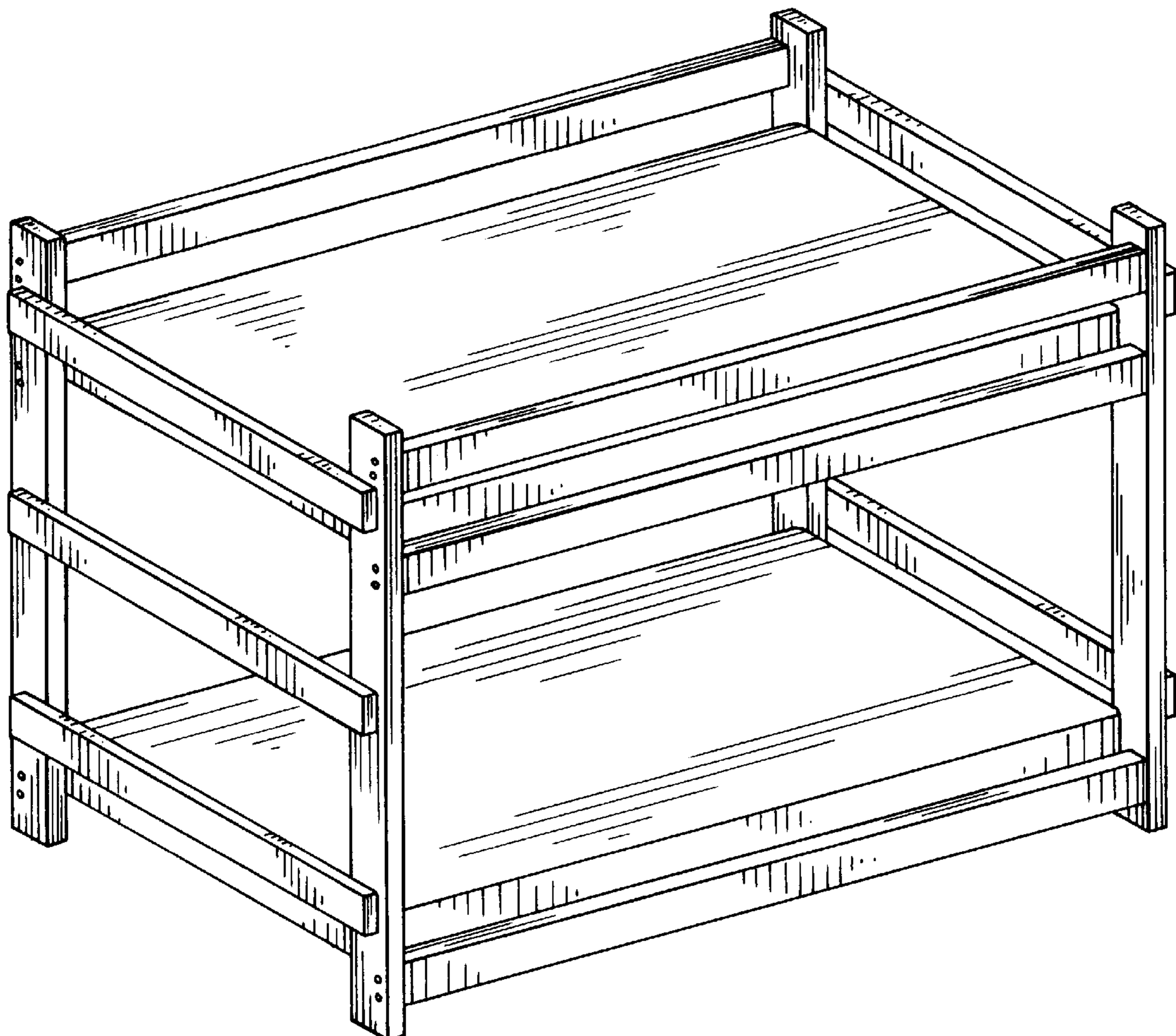
FIG. 7 is a perspective view showing the top, end, and one side of a bunk bed illustrating one modification of my new design;

FIG. 8 is a side elevation view of the modification of FIG. 7 the opposite side being identical thereto;

FIG. 9 is an end elevation view from the end visible in FIG. 7 with the view from the opposite end thereof being identical;

FIG. 10 is a top plan view of the modification of FIG. 7; and, FIG. 11 is a bottom plan view of the modification of FIG. 7.

**1 Claim, 4 Drawing Sheets**



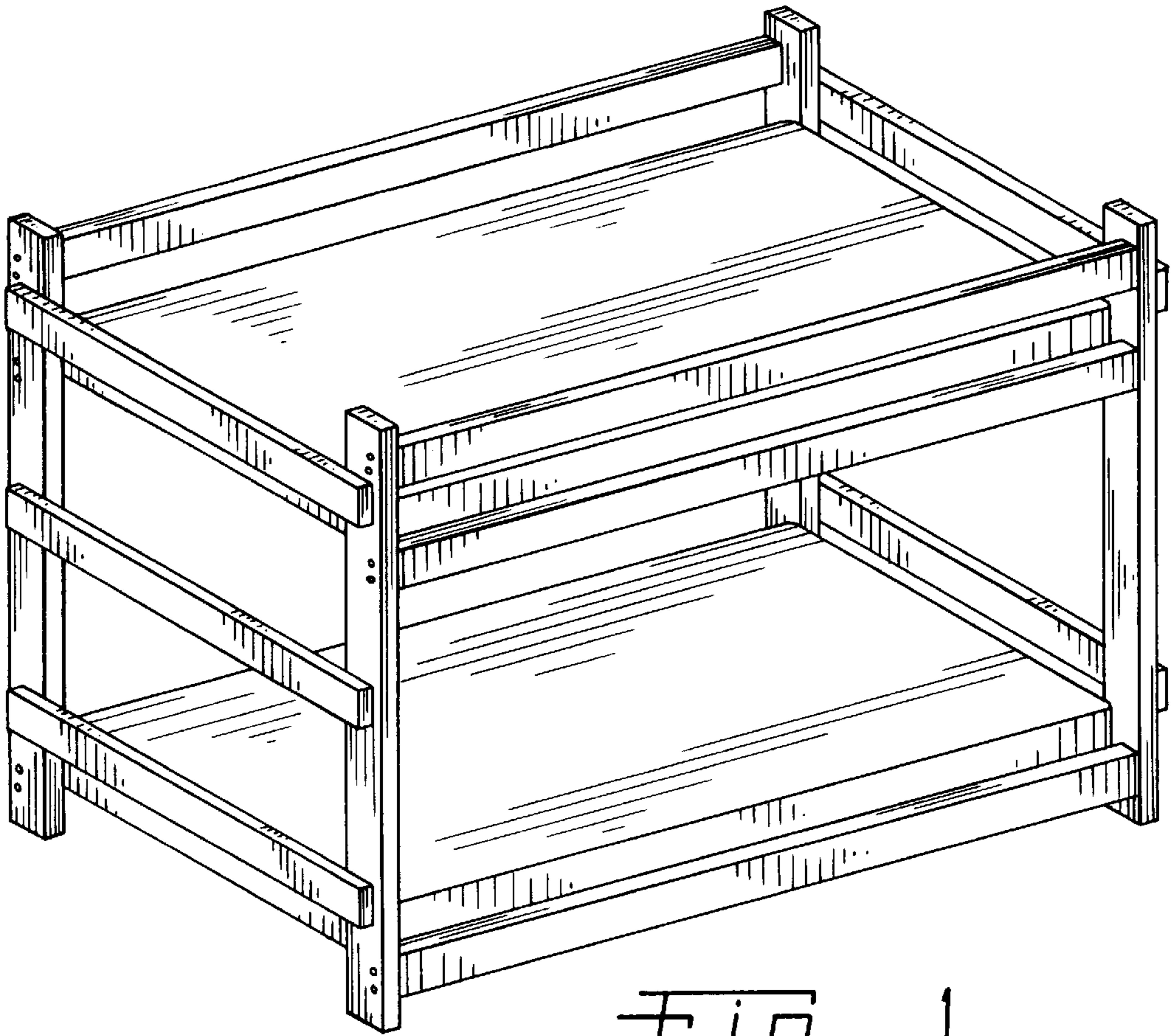


Fig. 1

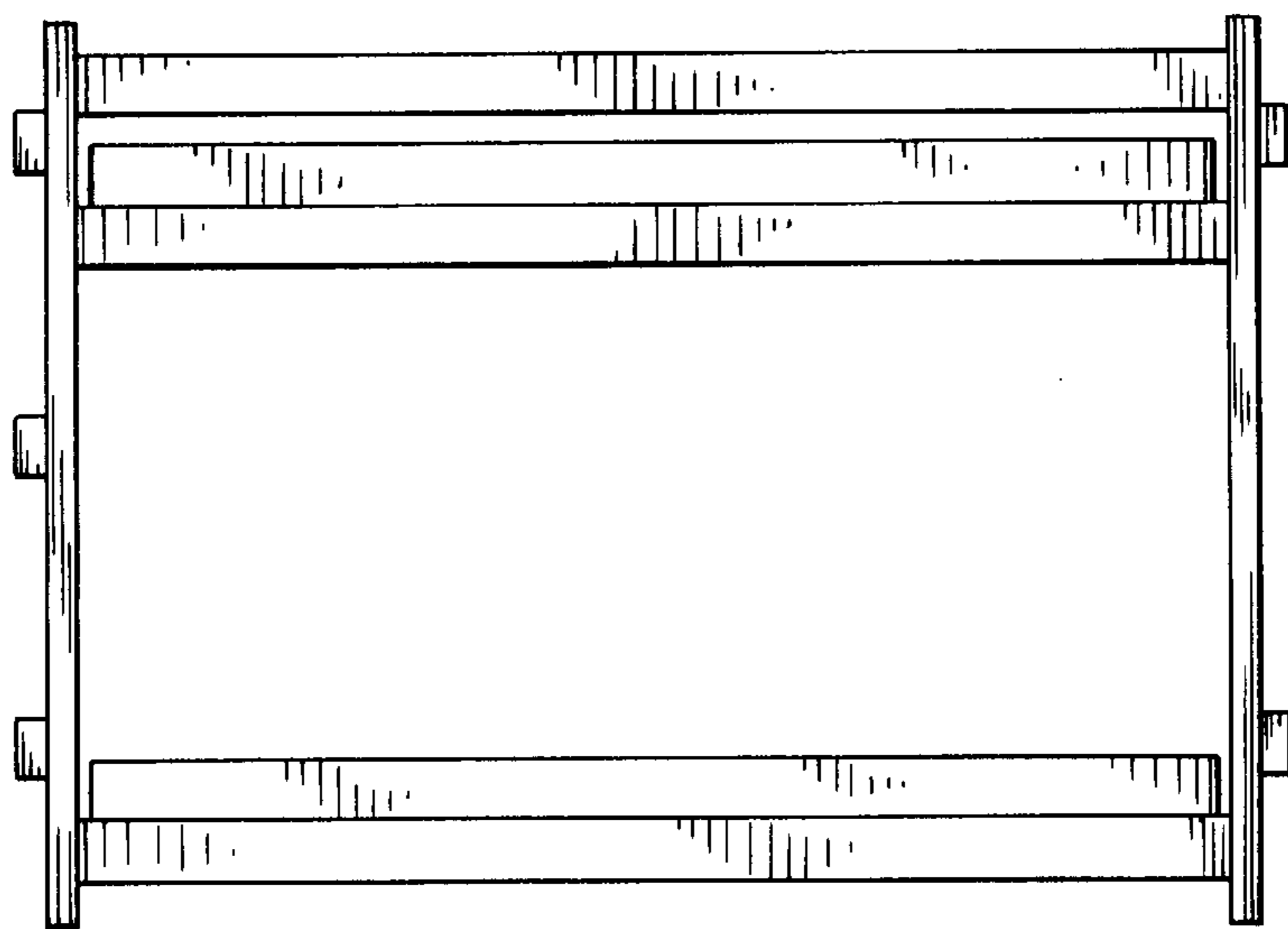


Fig. 2

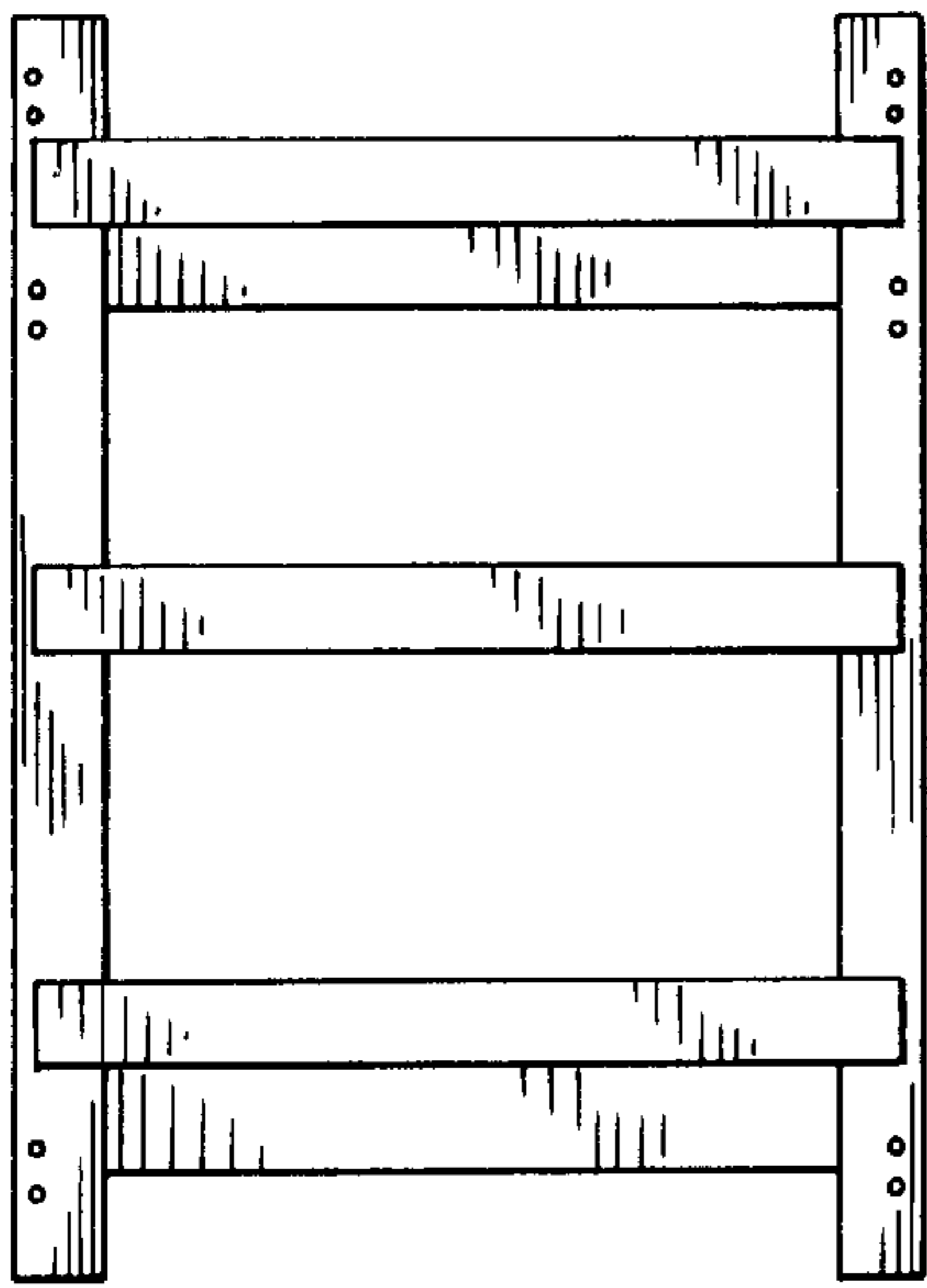


Fig. 3

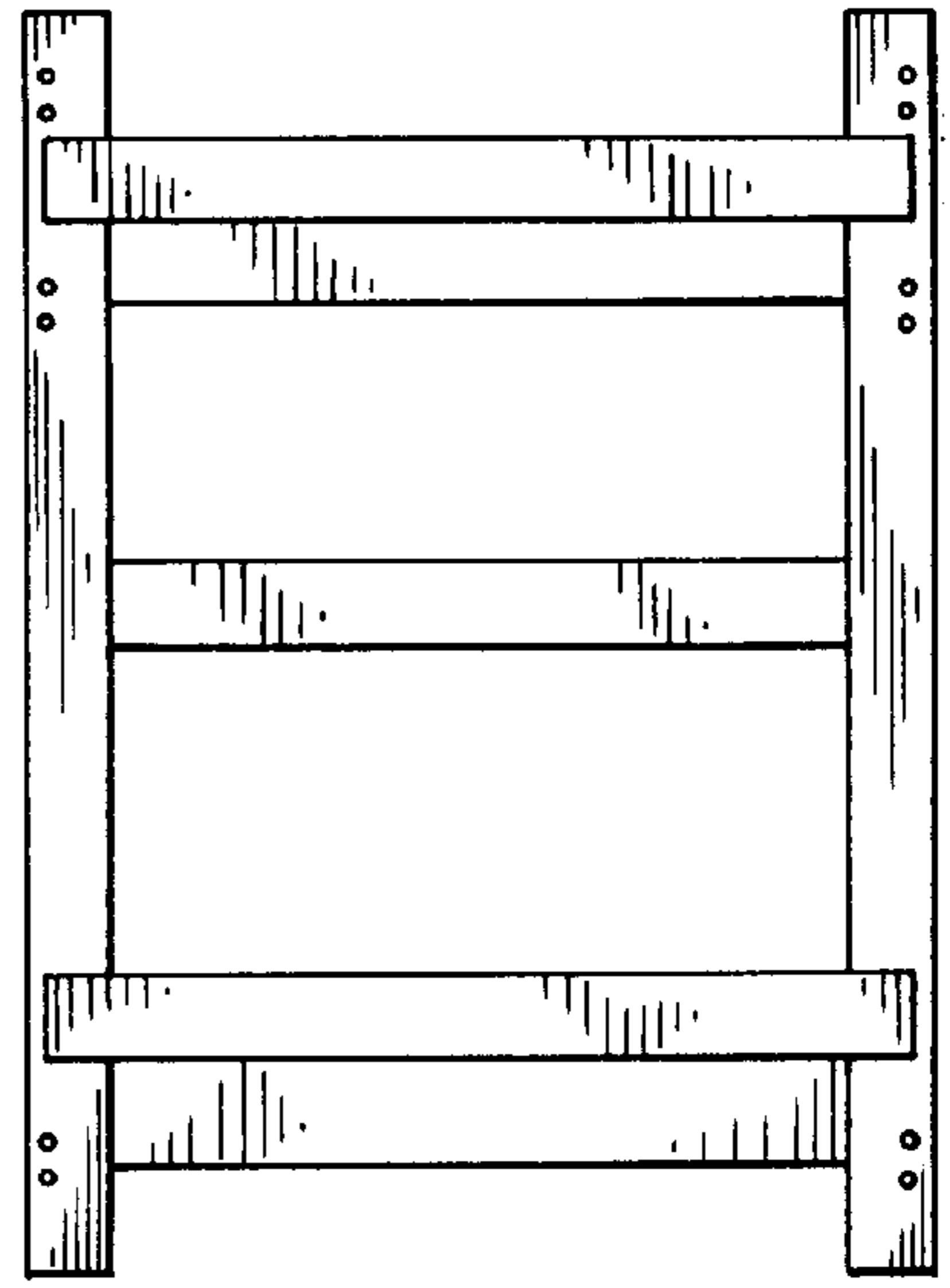


Fig. 4

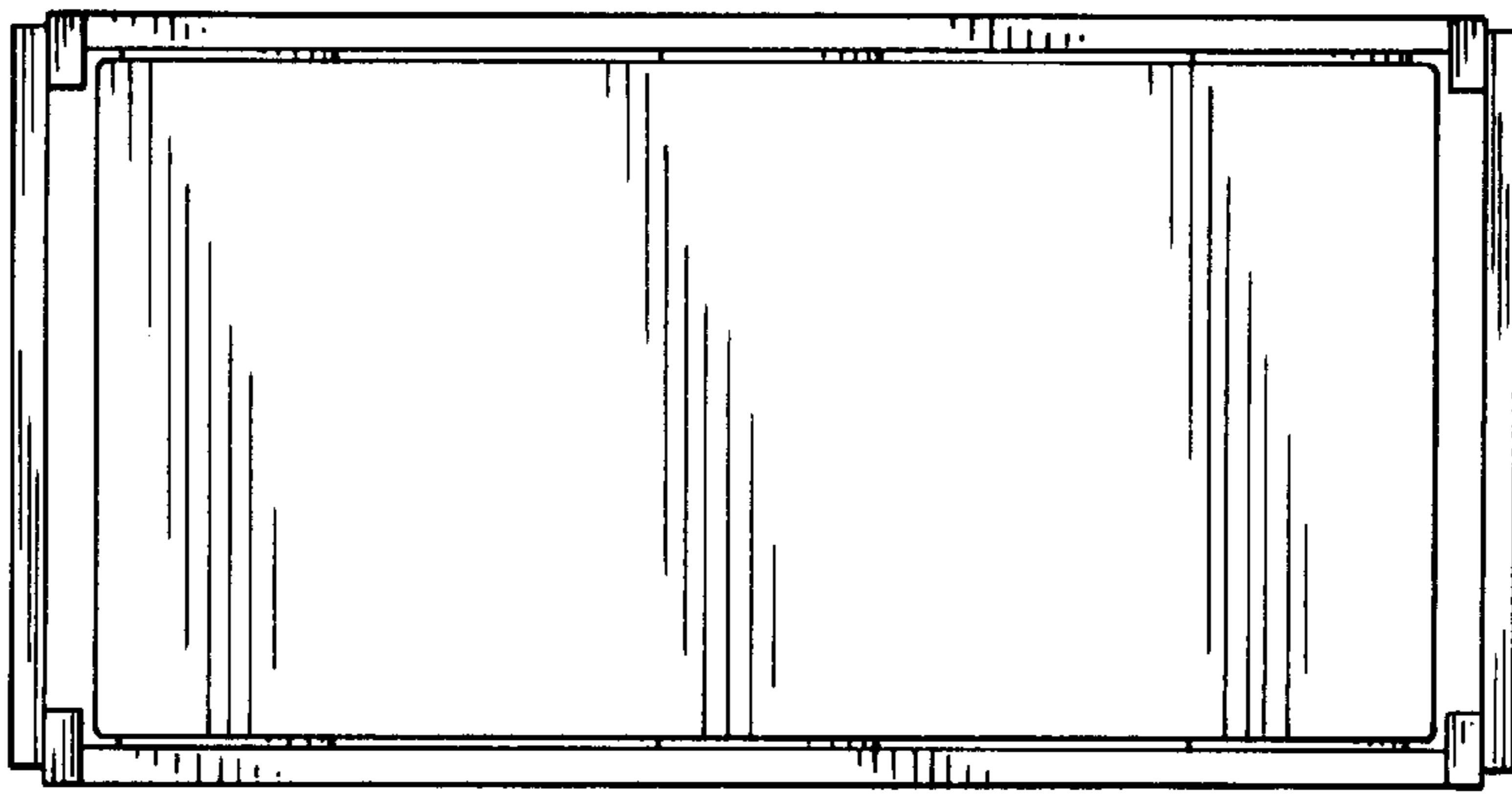


Fig. 5

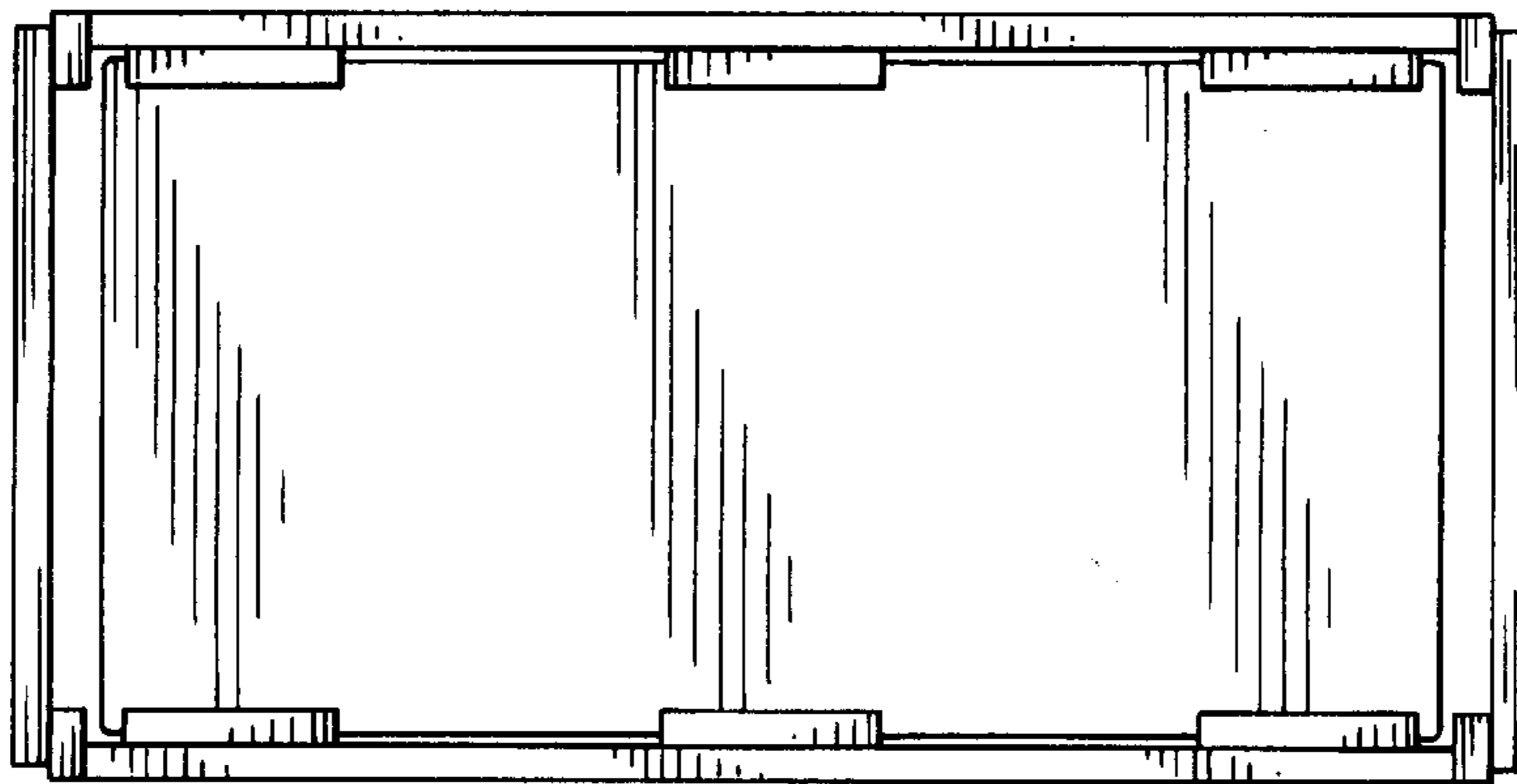


Fig. 6

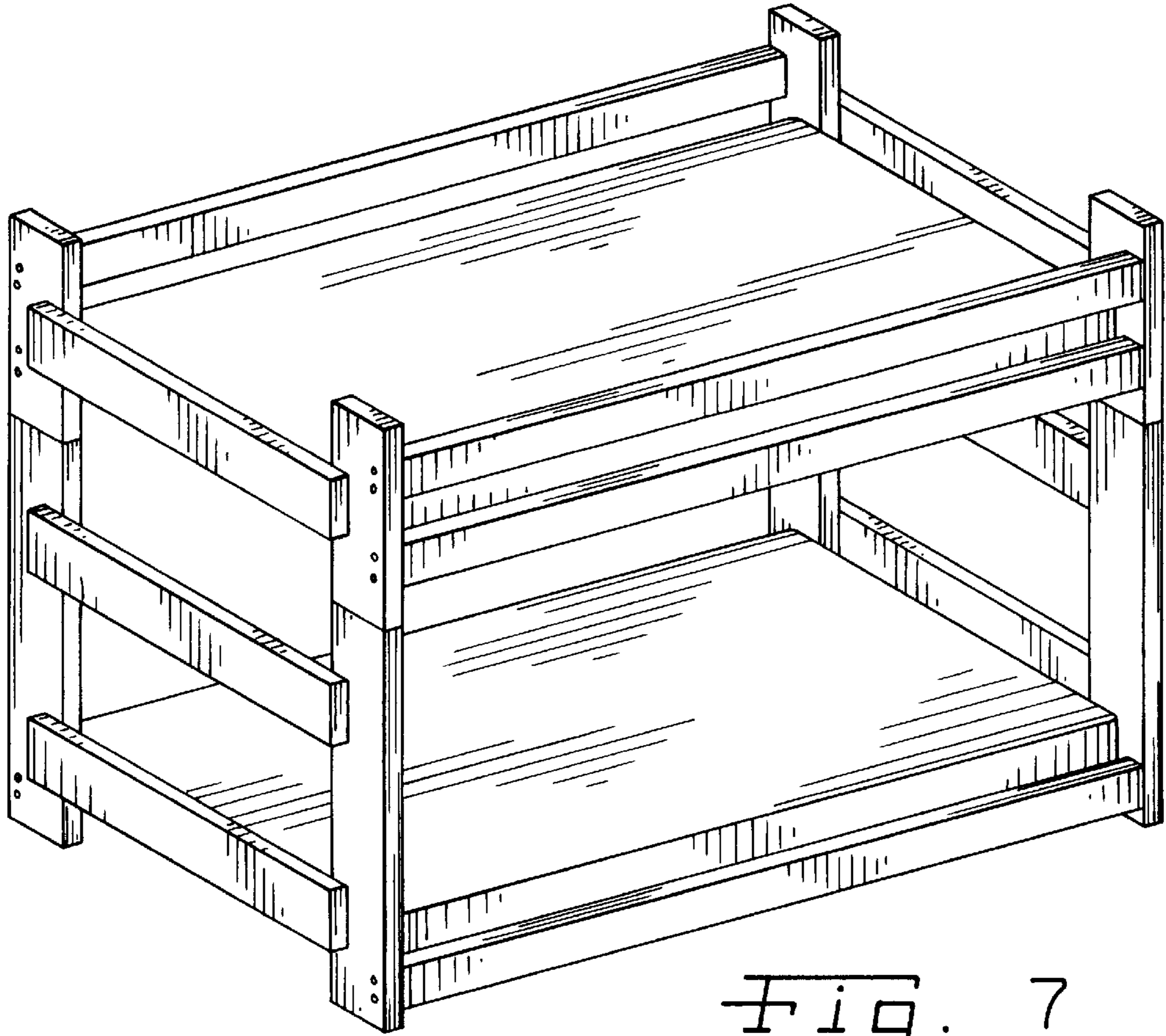


Fig. 7

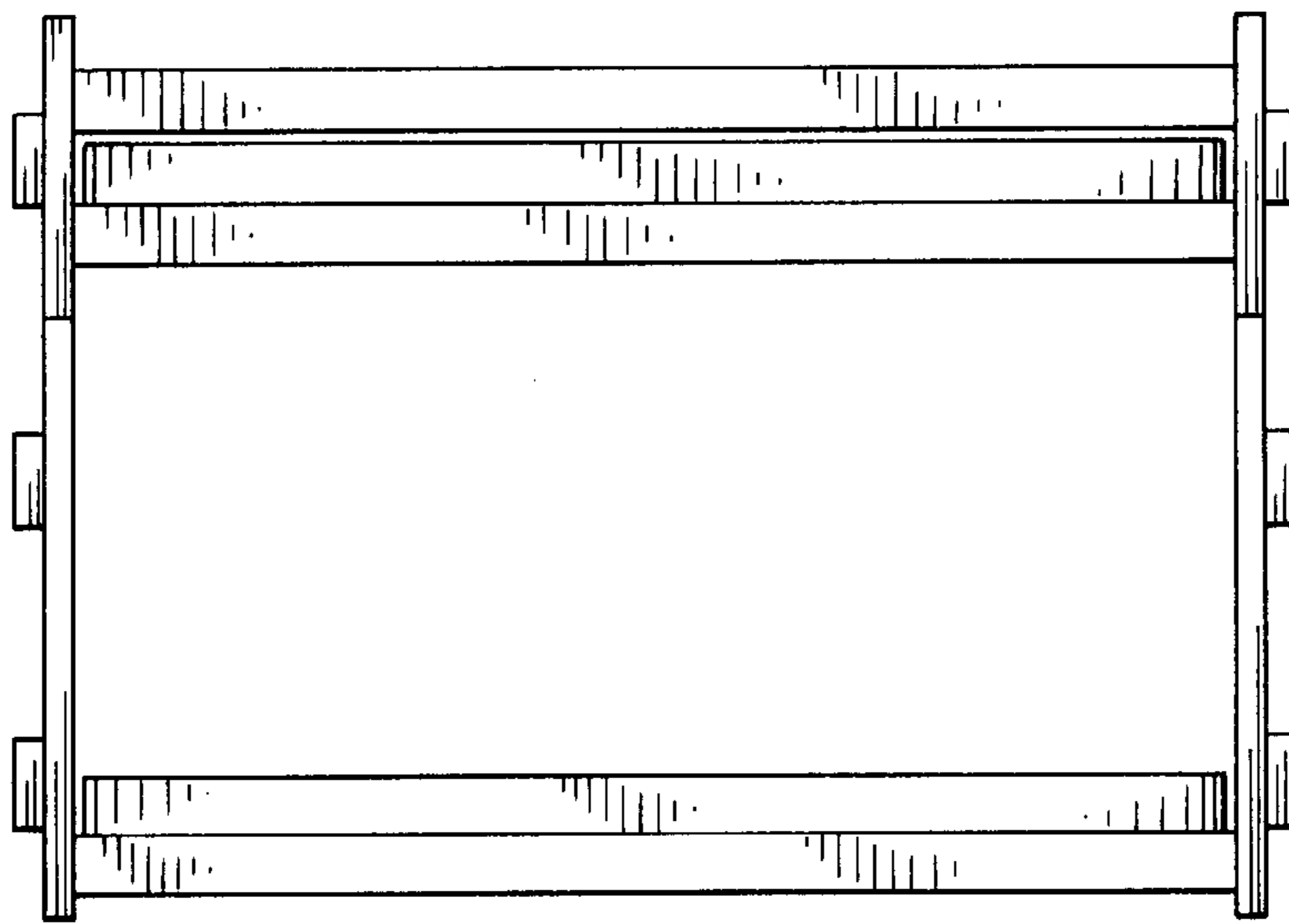


Fig. 8

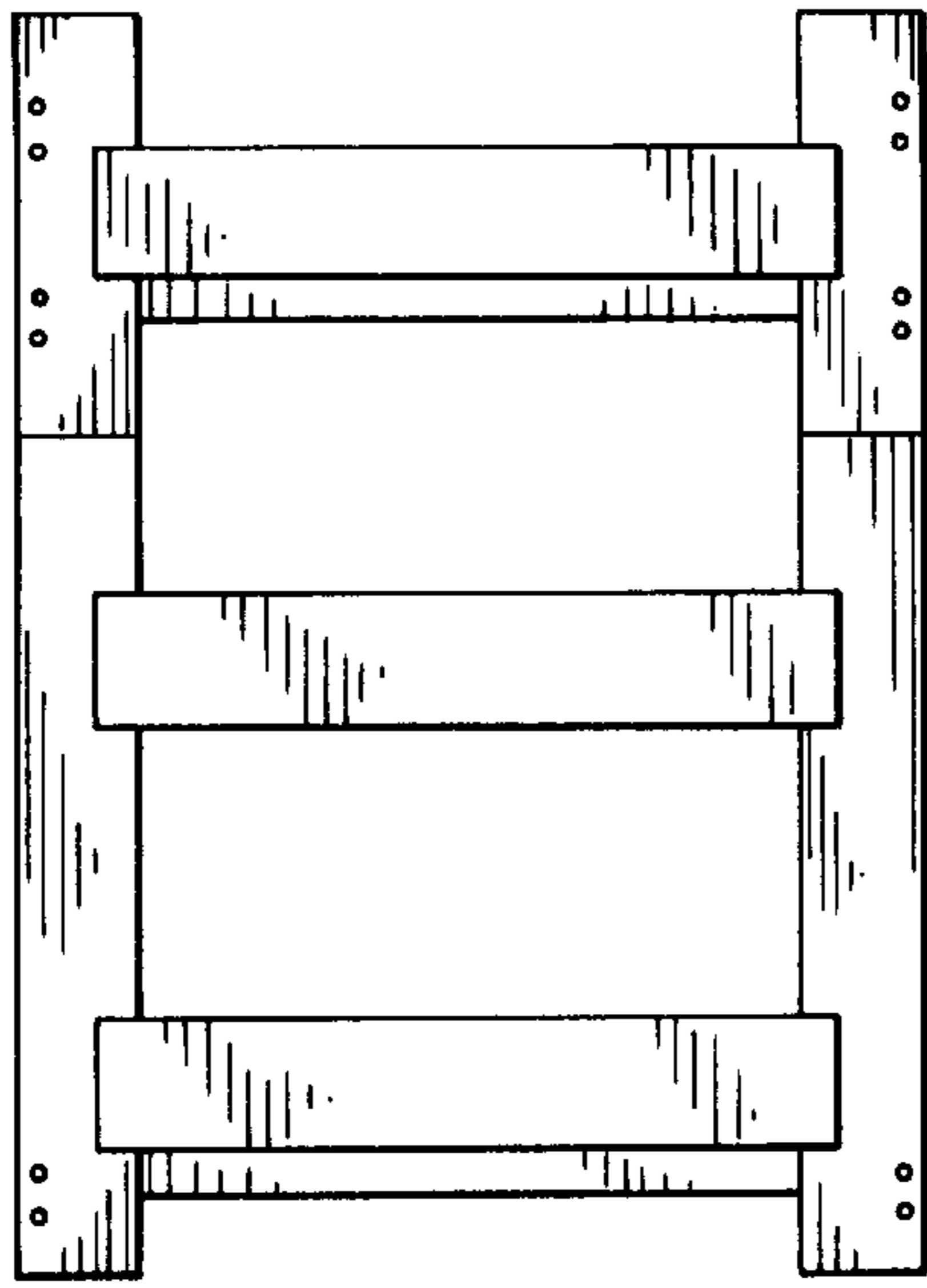


Fig. 9

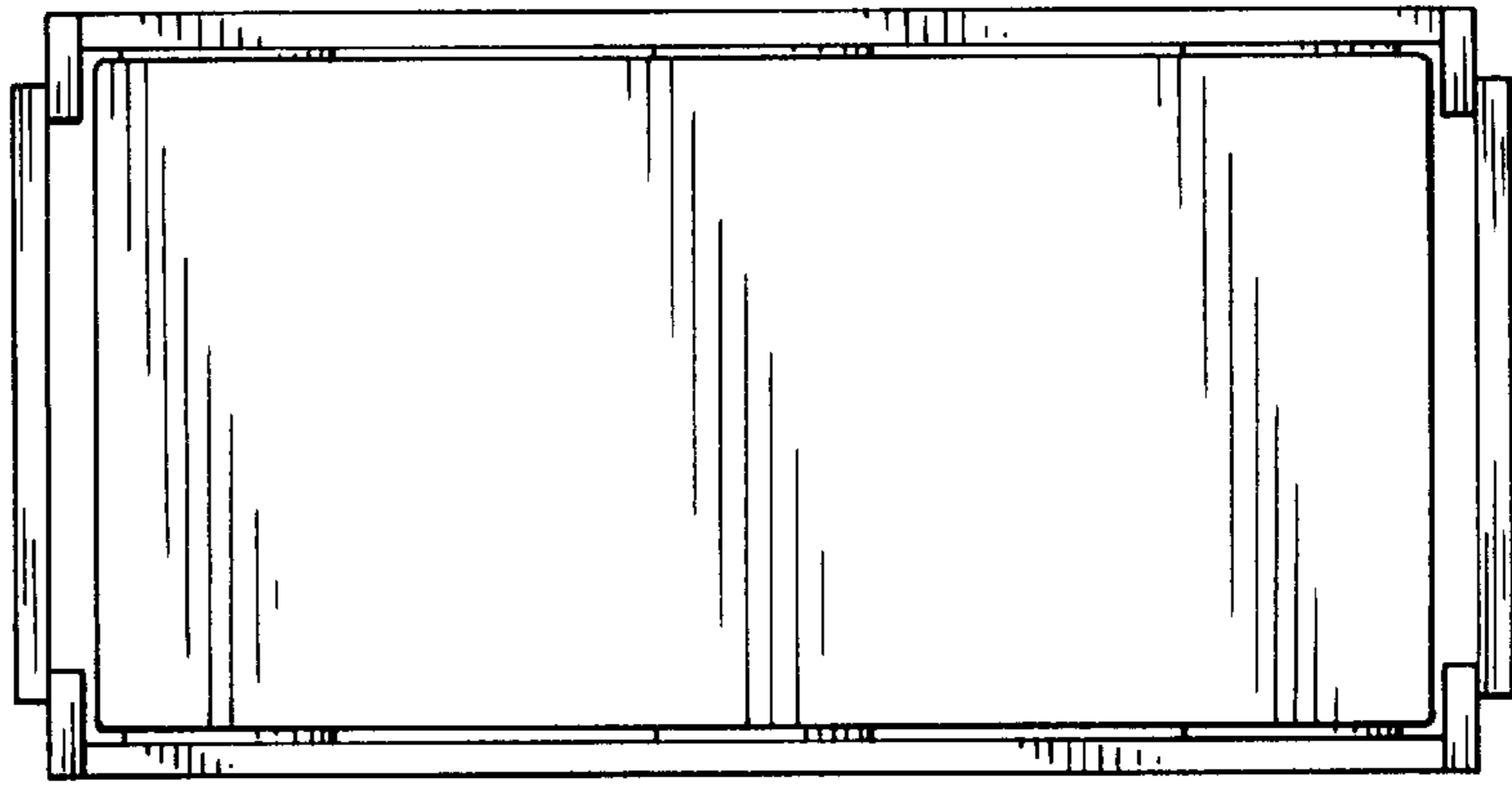


Fig. 10

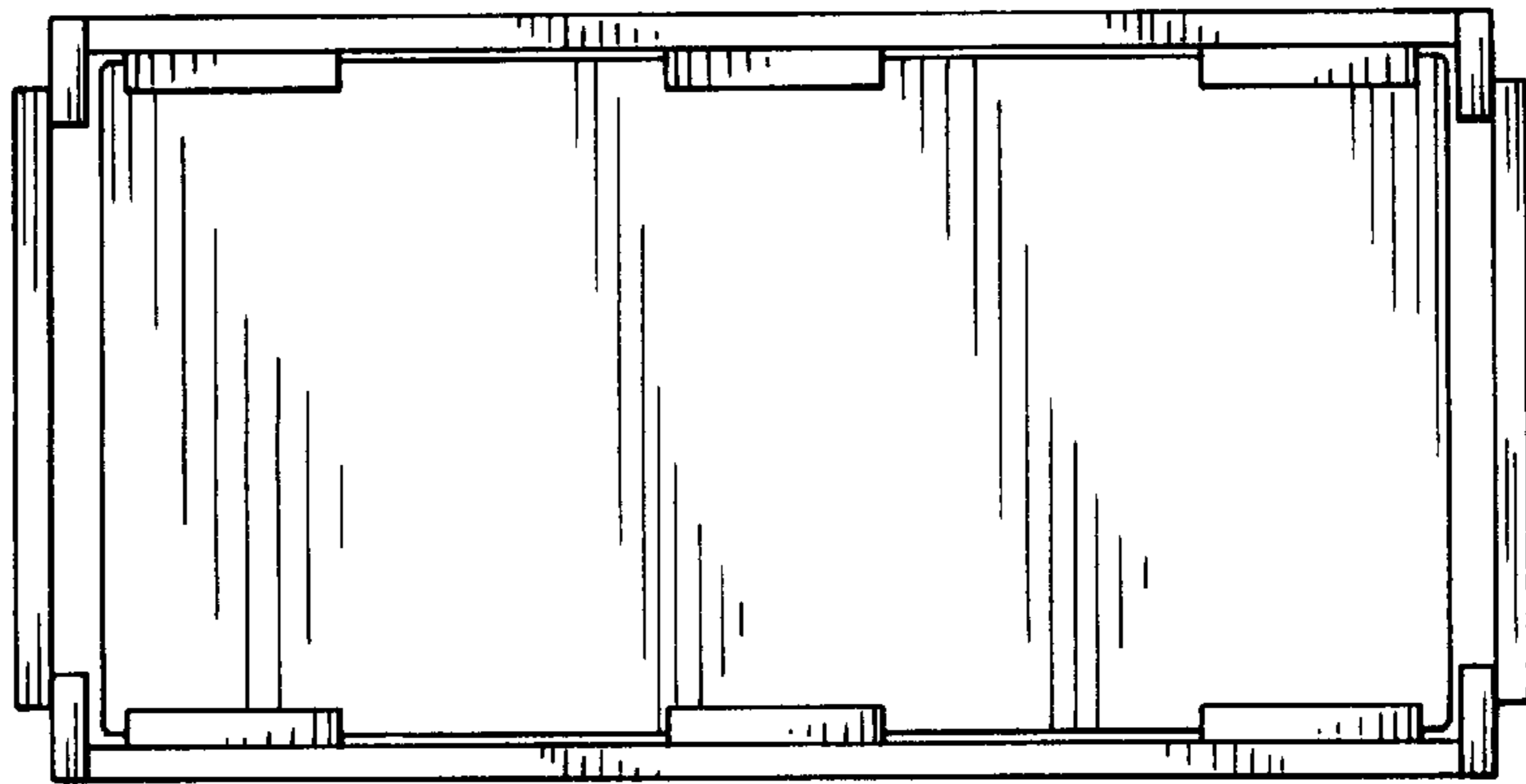


Fig. 11