



US00D405284S

United States Patent [19]
van den Heuvel

[11] **Patent Number: Des. 405,284**

[45] **Date of Patent: **Feb. 9, 1999**

[54] **ADJUSTABLE CHAIR**

[76] Inventor: **Adrianus H. M. J. M. van den Heuvel**, Garonnelaan 9, NL-5627 VW Eindhoven, Netherlands

[**] Term: **14 Years**

[21] Appl. No.: **60,266**

[22] Filed: **Sep. 25, 1996**

[30] **Foreign Application Priority Data**

Mar. 25, 1996 [NL] Netherlands 71710-00

[51] **LOC (6) Cl.** **06-01**

[52] **U.S. Cl.** **D6/367**

[58] **Field of Search** D6/334, 335, 336, D6/360, 361, 367, 375, 500, 501, 502; D24/178, 183; 297/344.19, 354.13, 423.25

[56] **References Cited**

U.S. PATENT DOCUMENTS

D. 197,645 3/1964 Ferro D6/361

D. 197,646 3/1964 Rose D6/361 X
D. 238,317 1/1976 Schoeller et al. D6/361
D. 300,657 4/1989 Simpkins et al. D6/360 X
D. 361,900 9/1995 van den Heuvel D6/367

Primary Examiner—Gary D. Watson
Attorney, Agent, or Firm—Titus & McConomy LLP

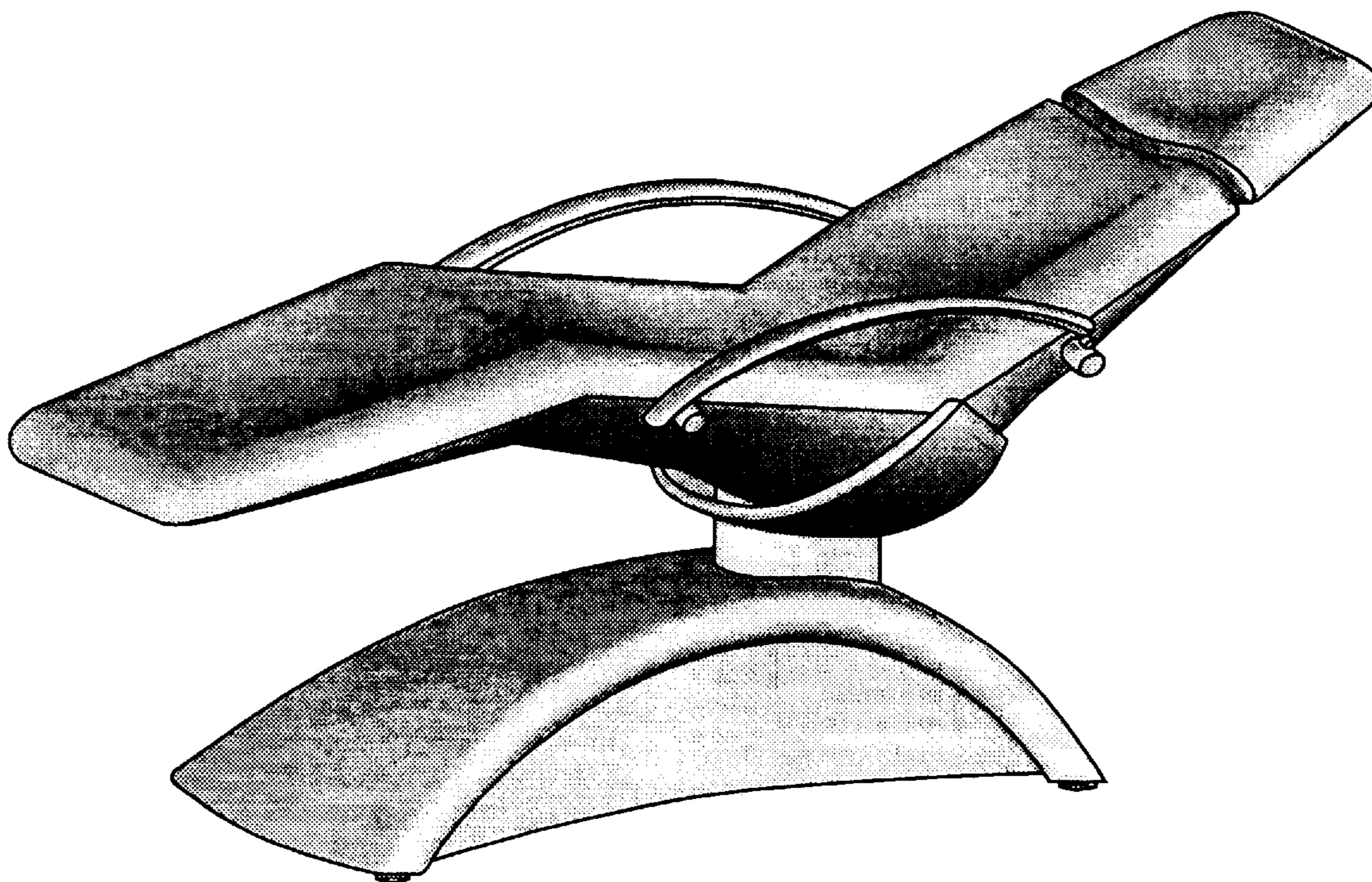
[57] **CLAIM**

The ornamental design for an adjustable chair, as shown and described.

DESCRIPTION

FIG. 1 is a perspective view of an adjustable chair, showing my new design;
FIG. 2 is a side elevation of the adjustable chair in the upright position;
FIG. 3 is a side elevation of the adjustable chair in the horizontal position;
FIG. 4 is a front elevation of the adjustable chair in the upright position; and,
FIG. 5 is a rear elevation of the adjustable chair in the upright position.

1 Claim, 5 Drawing Sheets



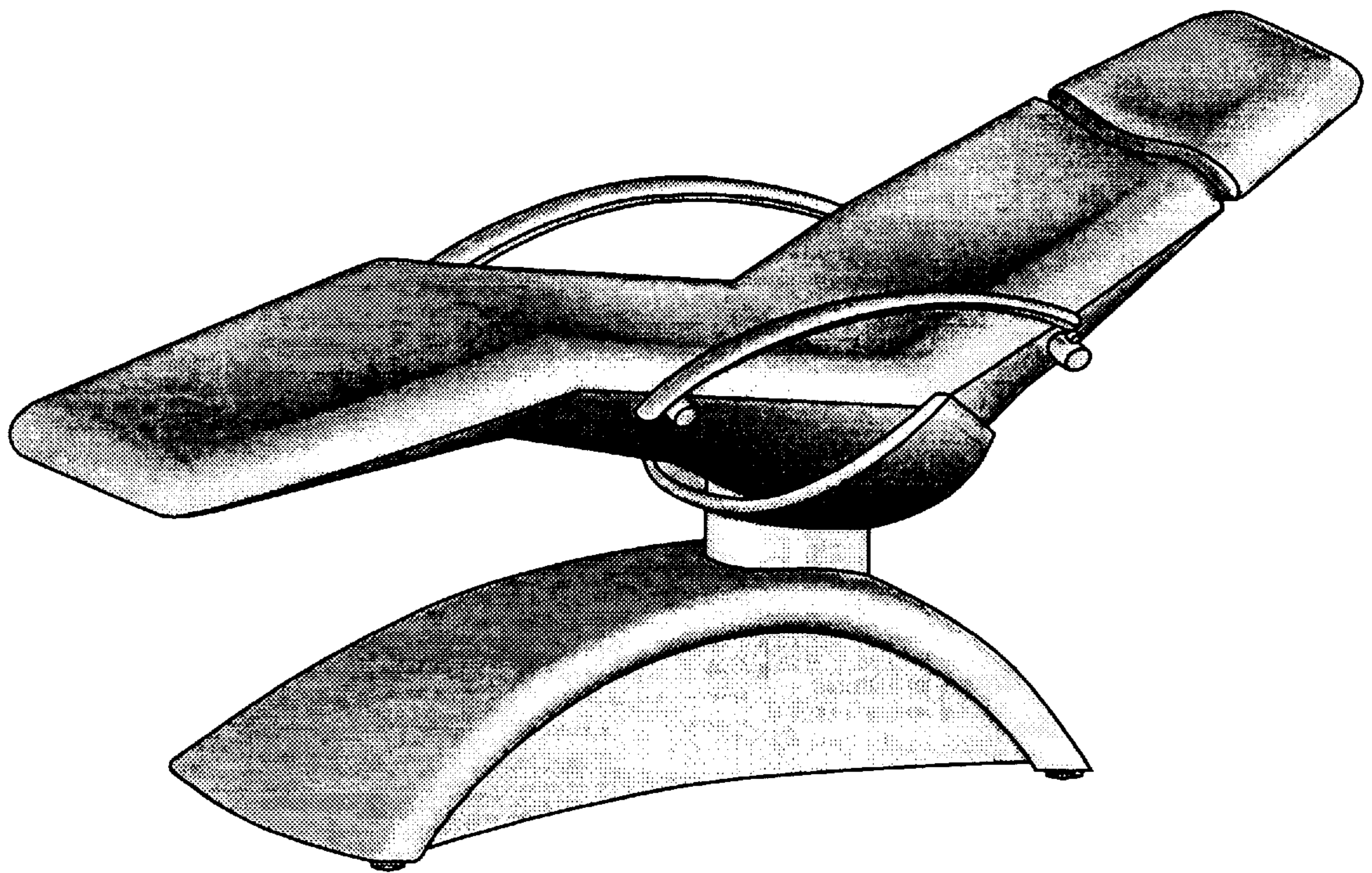


Fig.: 1

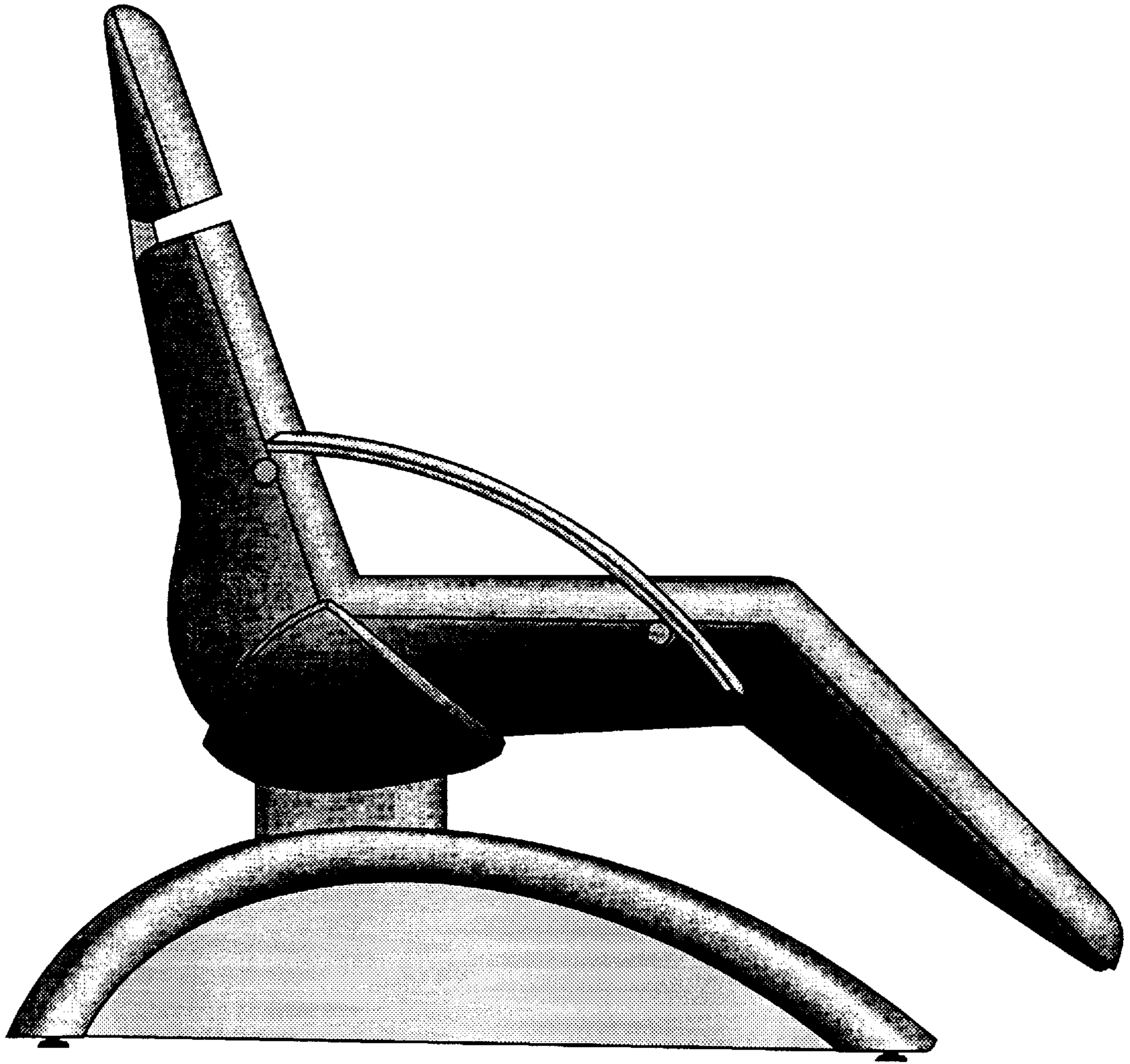


Fig.: 2

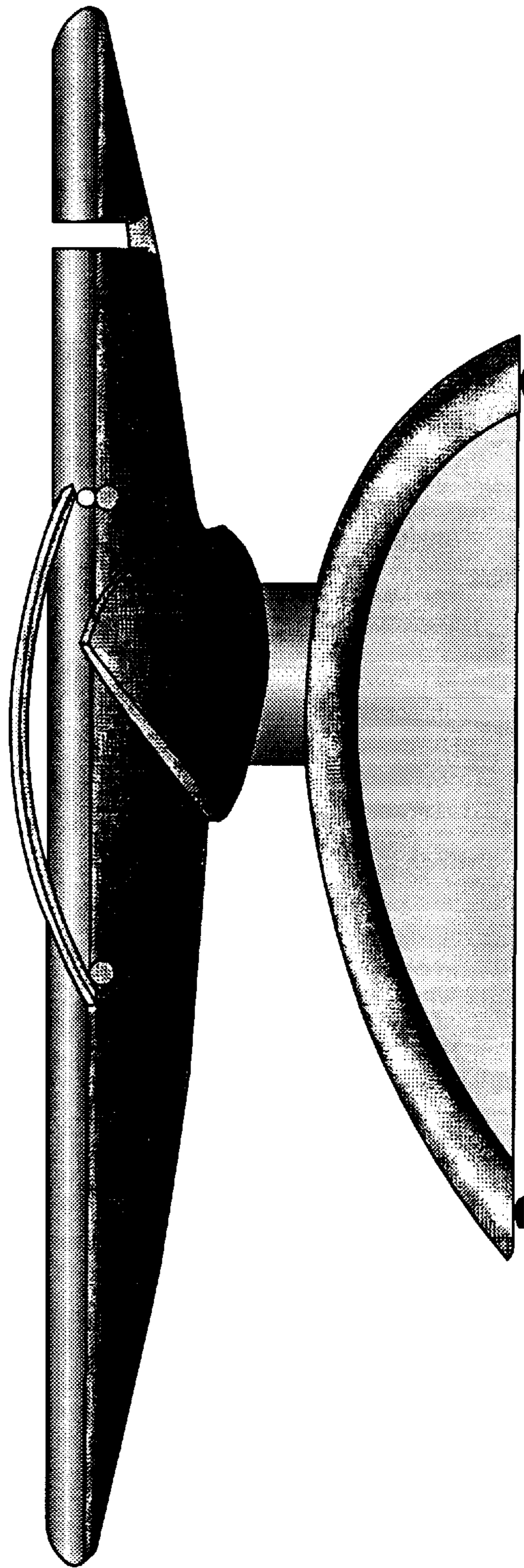


Fig.: 3

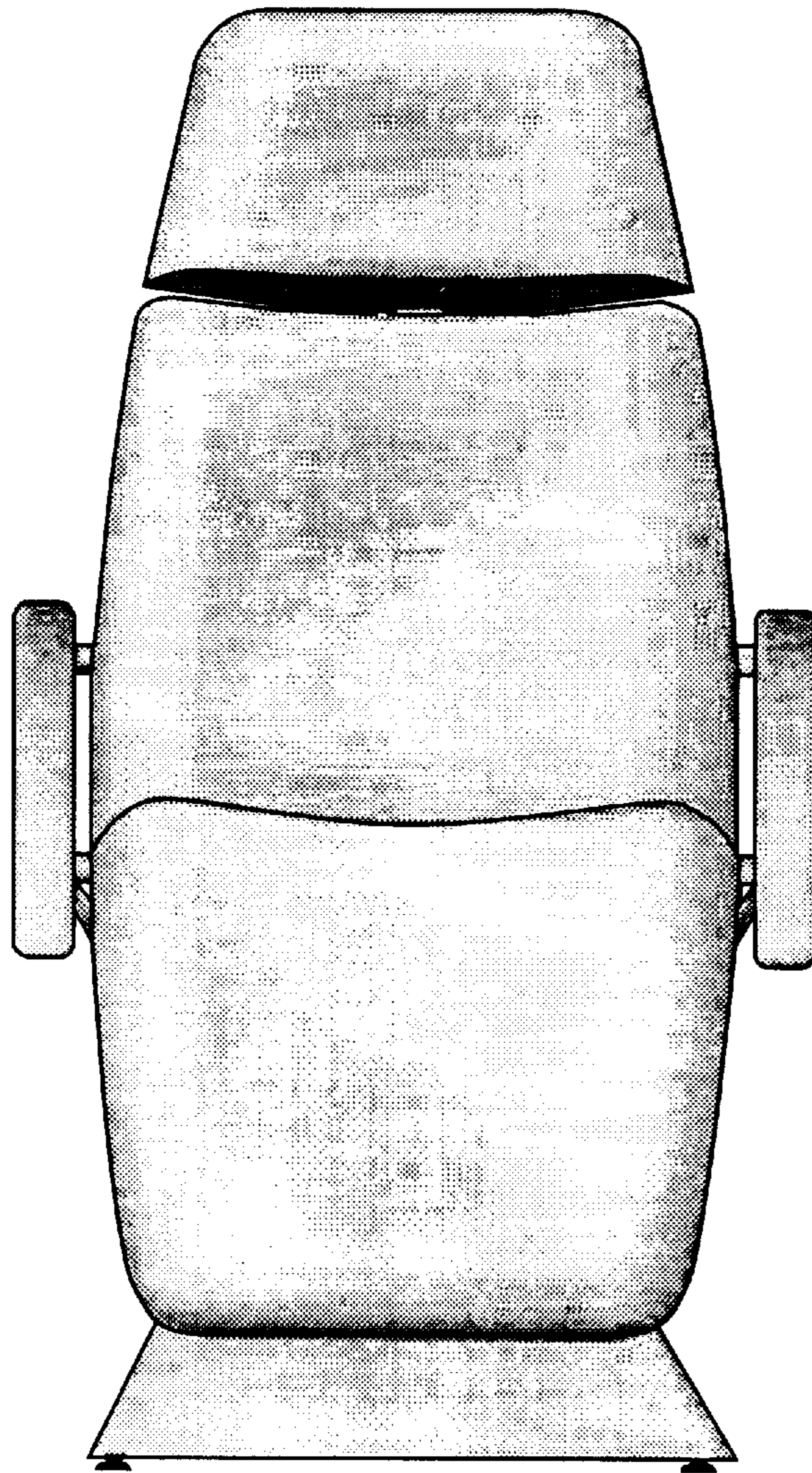


Fig.: 4

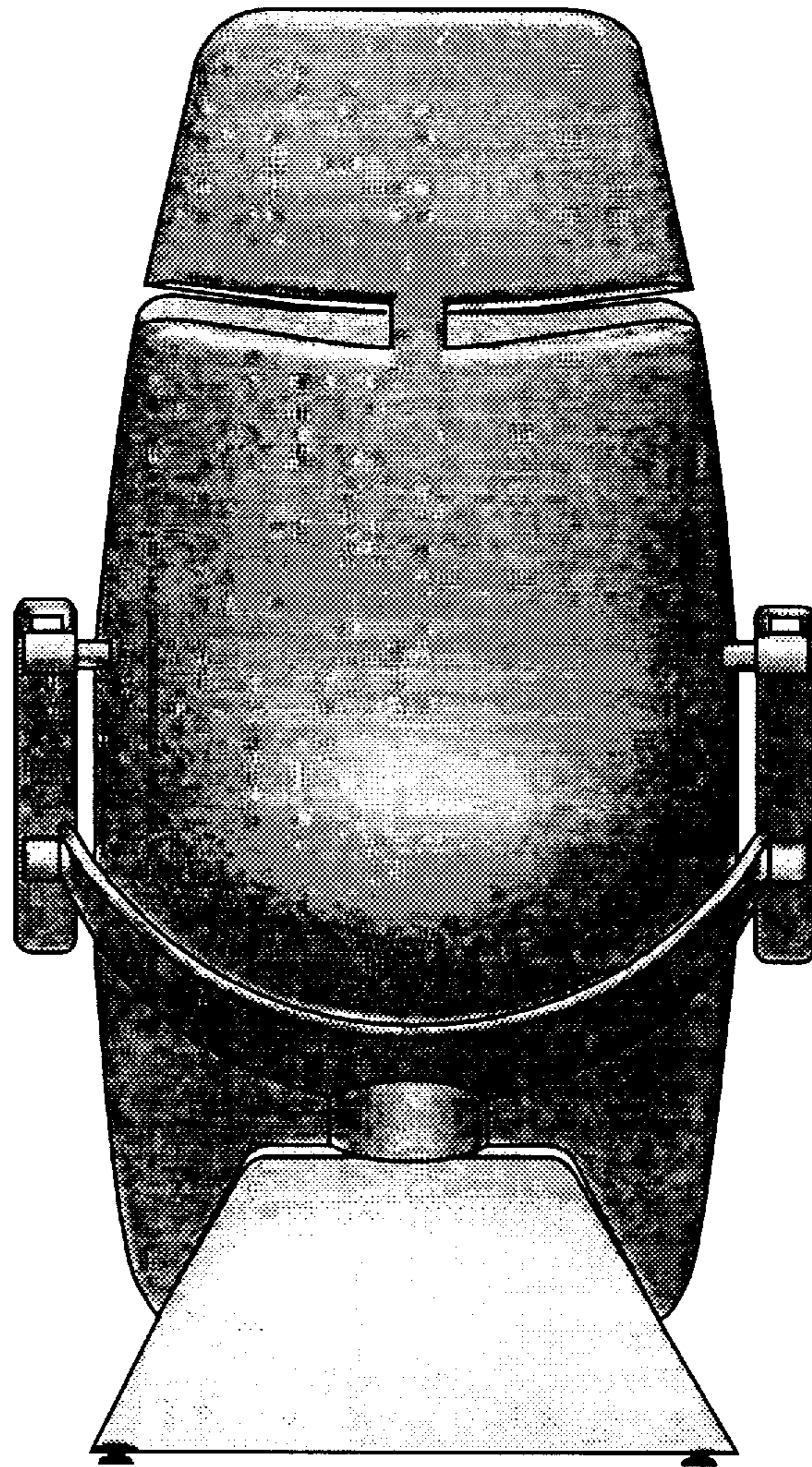


Fig.: 5