



US00D405268S

# United States Patent [19]

[11] **Patent Number: Des. 405,268**

**Apenes**

[45] **Date of Patent: \*\*Feb. 9, 1999**

[54] **SHOPPING BASKET**

D. 276,281	11/1984	Landgren	.....	D3/309
D. 328,838	8/1992	Avey et al.	.....	D3/311 X
D. 331,307	11/1992	McConnell	.....	D3/308
5,353,930	10/1994	Berry	.....	206/370

[76] Inventor: **Trond Apenes**, Gratenv. 30, 1315  
Nesoya, Norway

[\*] Notice: The term of this patent shall not extend beyond the expiration date of Pat. No. D. 400,355.

*Primary Examiner*—Philip S. Hyder  
*Assistant Examiner*—Richelle Shelton  
*Attorney, Agent, or Firm*—Bacon & Thomas, PLLC

[\*\*] Term: **14 Years**

[57] **CLAIM**

[21] Appl. No.: **76,459**

The ornamental design for a shopping basket, as shown and described.

[22] Filed: **Sep. 22, 1997**

**DESCRIPTION**

[30] **Foreign Application Priority Data**

Mar. 21, 1997 [NO] Norway ..... 970189

FIG. 1 is an upper left perspective view of a shopping basket showing my new design;  
FIG. 2 is a lower left front side perspective view thereof, the lower right rear perspective view being a mirror image thereof;  
FIG. 3 is a top plan view thereof;  
FIG. 4 is a front elevation view thereof, the rear side being a mirror image thereof; and,  
FIG. 5 is a left side elevation view thereof; the right side being a mirror image thereof.

[51] **LOC (6) Cl.** ..... **03-01**

[52] **U.S. Cl.** ..... **D3/309**

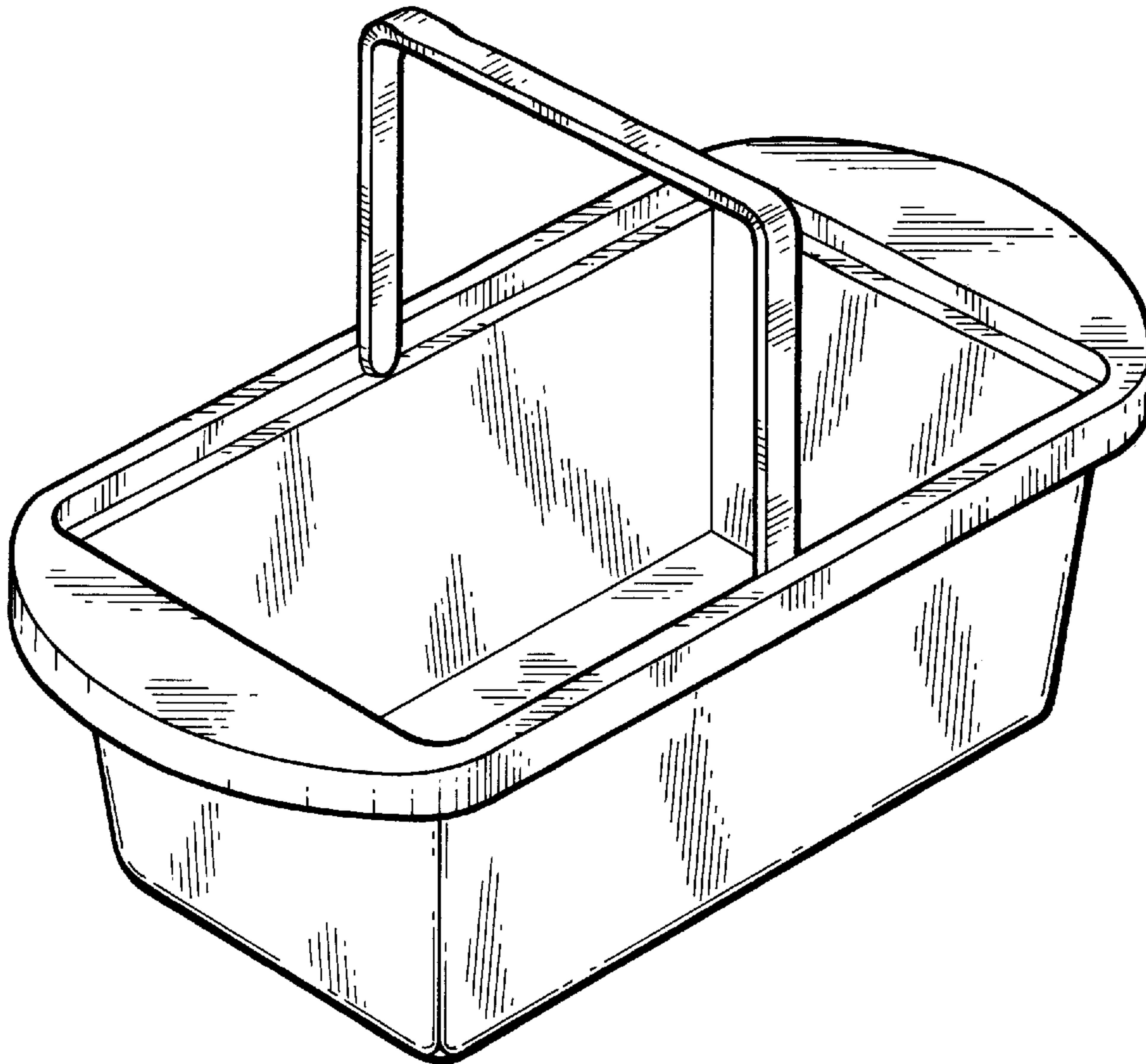
[58] **Field of Search** ..... D3/304, 307-314;  
D7/709; 220/761, 763, 769, 773, 776; 206/370

[56] **References Cited**

**U.S. PATENT DOCUMENTS**

D. 259,099 5/1981 Davis ..... D3/309

**1 Claim, 3 Drawing Sheets**



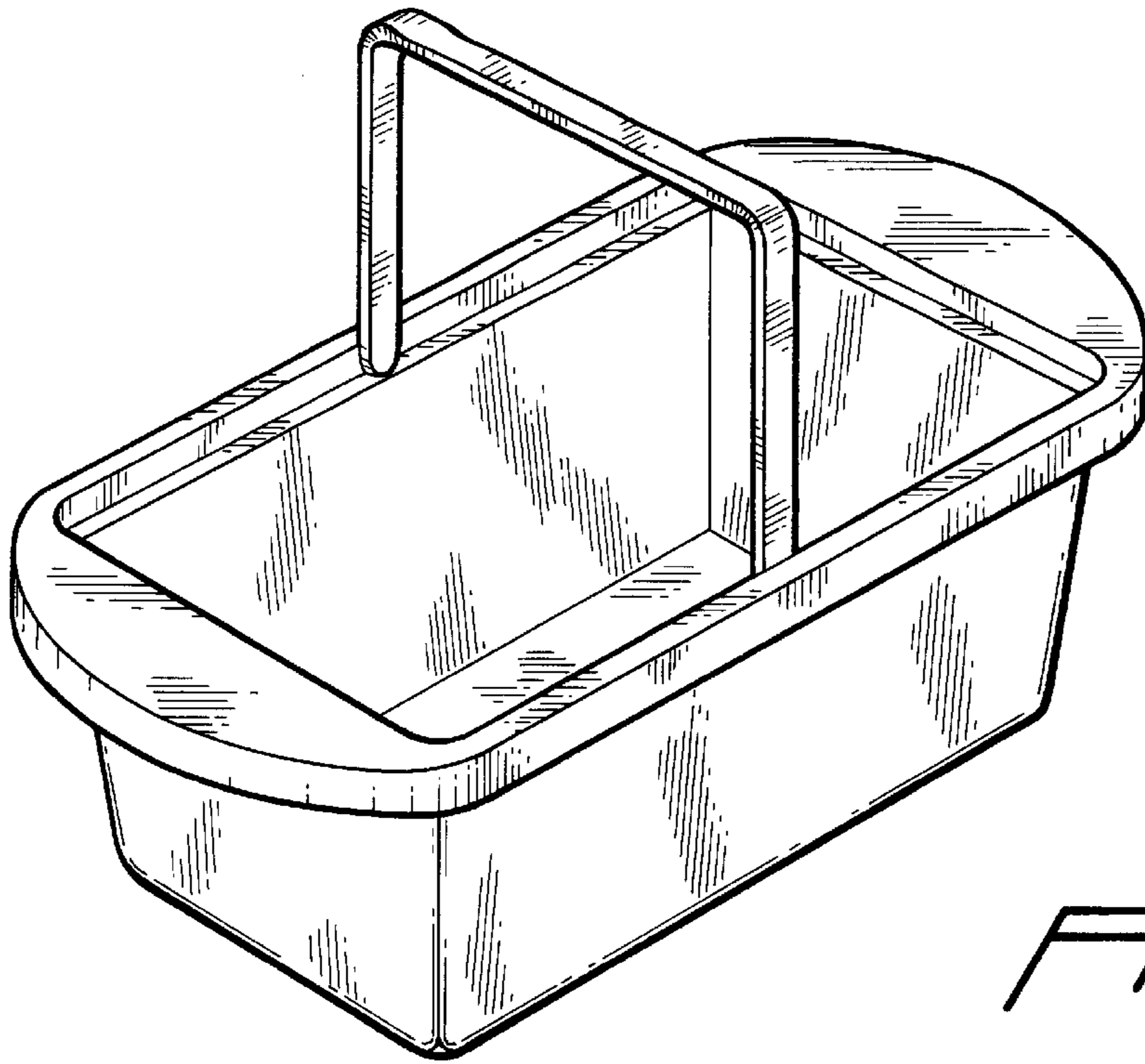


FIG. 1

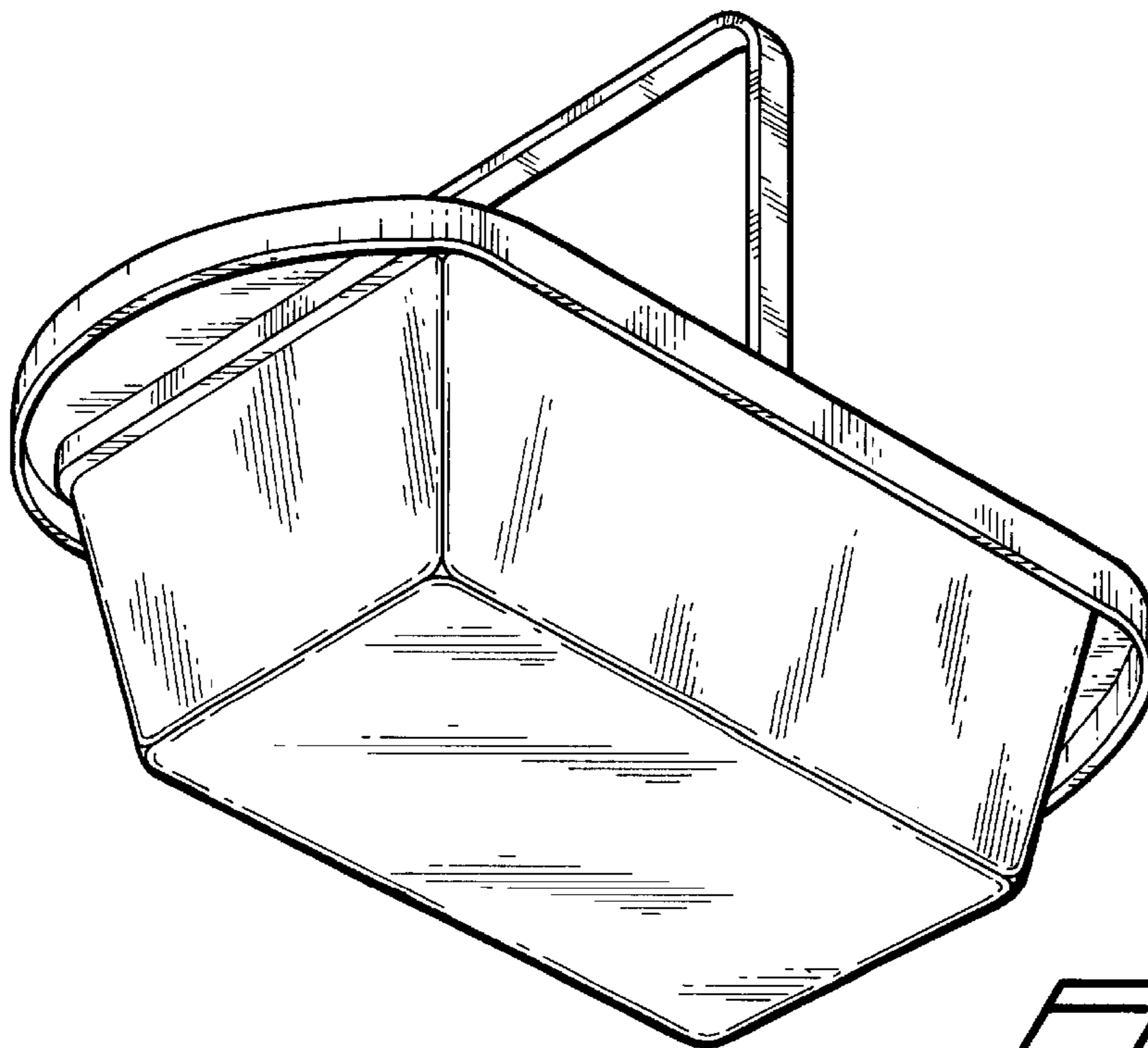


FIG. 2

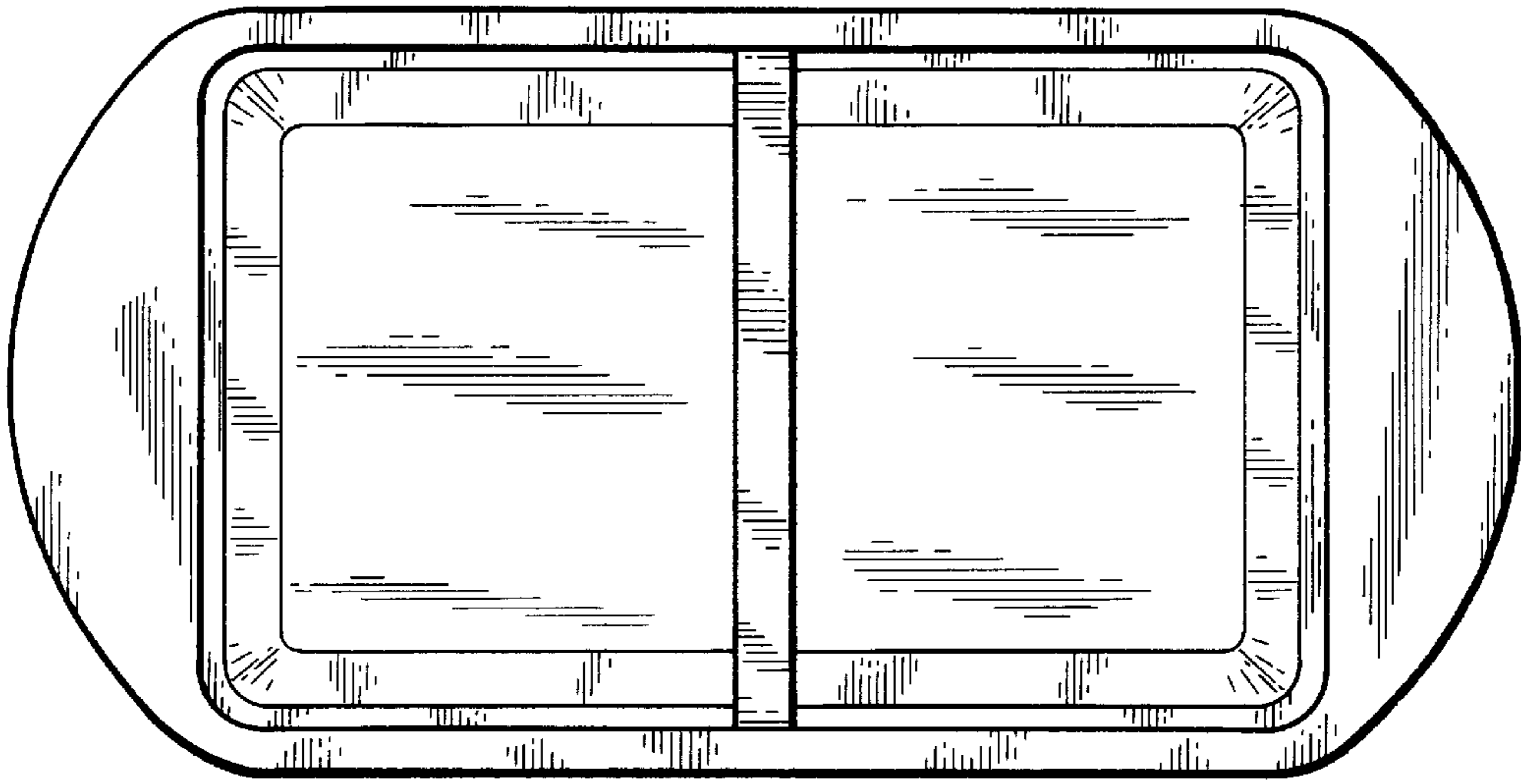


FIG. 3

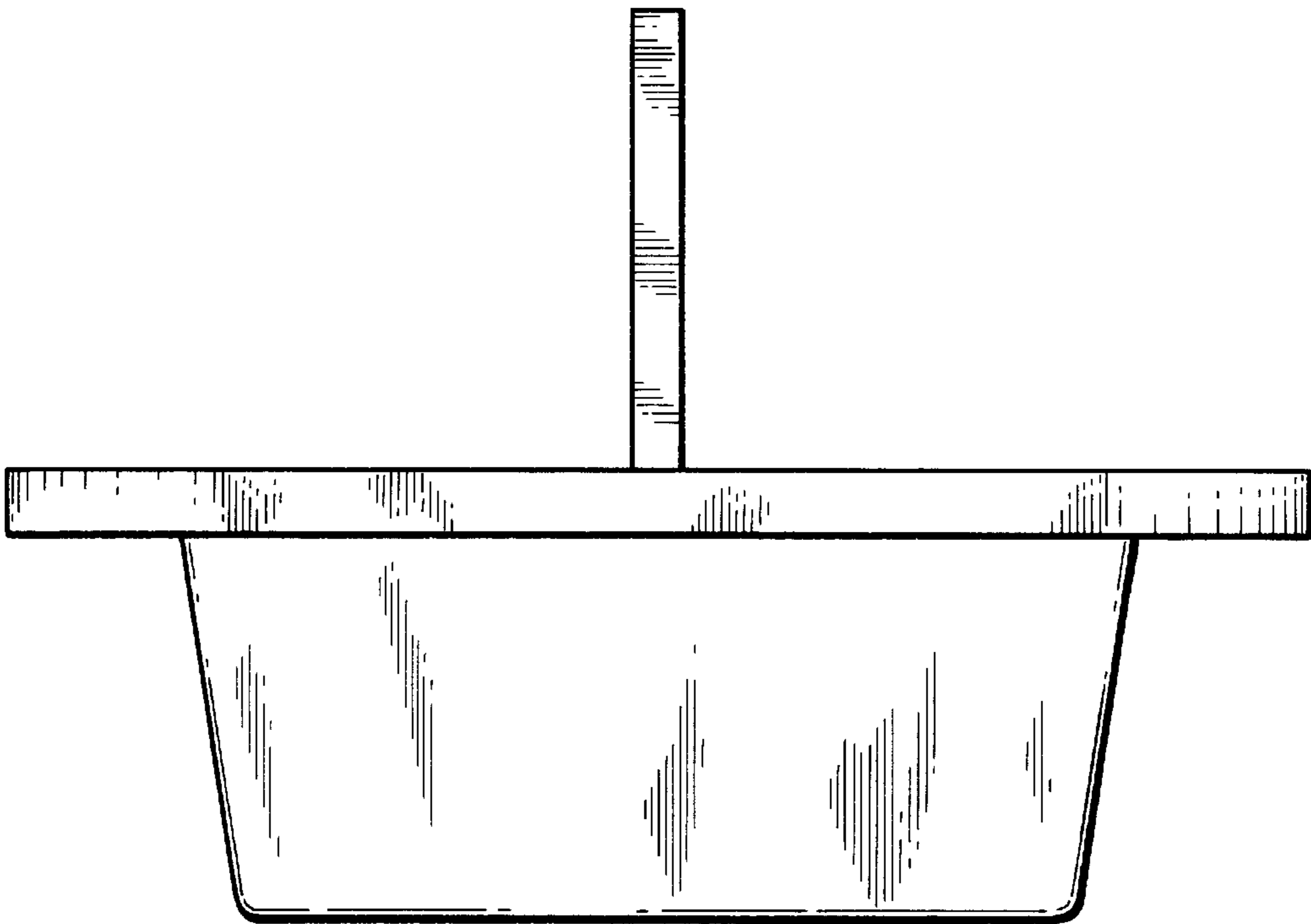
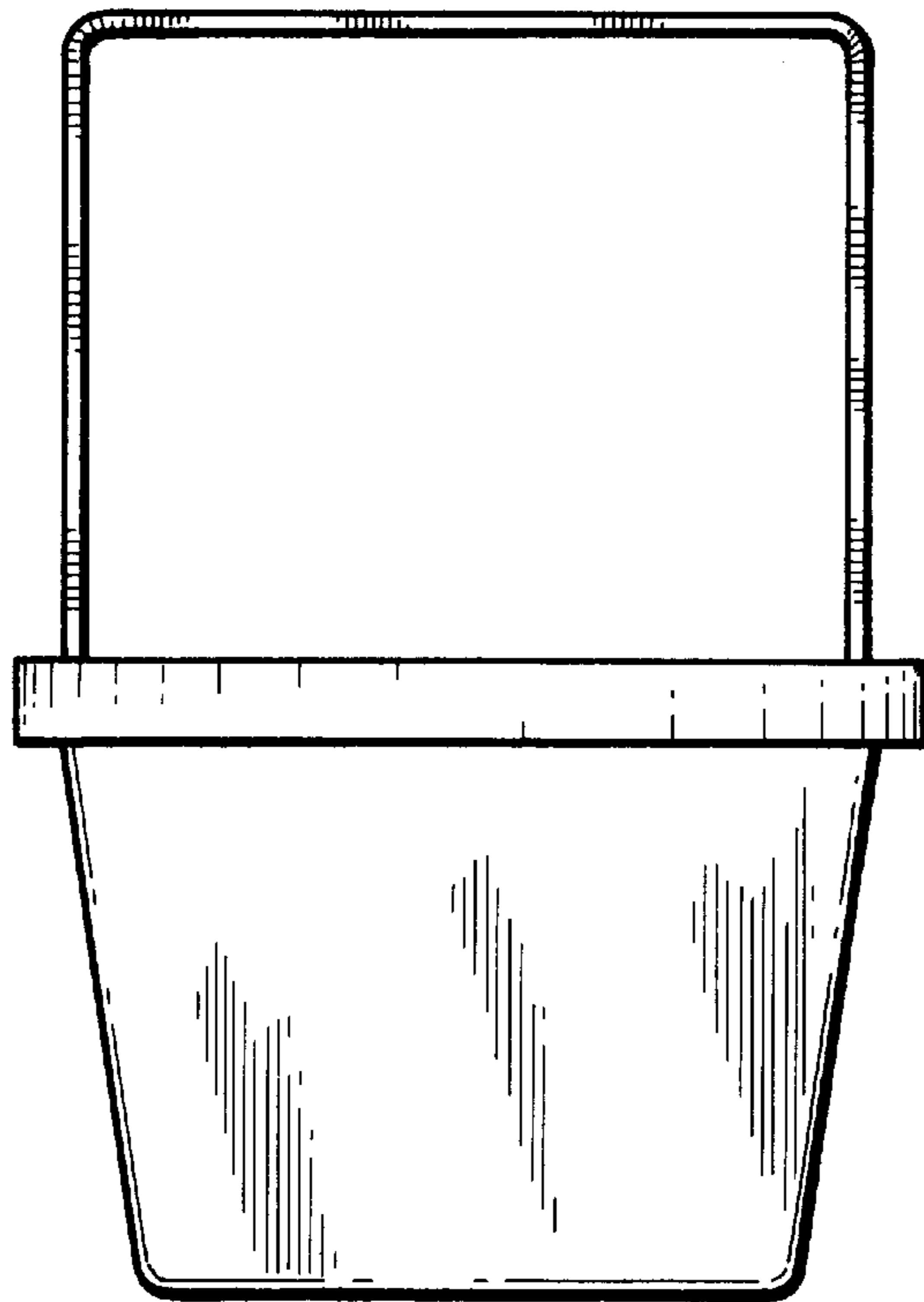


FIG. 4



*FIG. 5*