



US00D405266S

# United States Patent [19] Chisholm

[11] **Patent Number: Des. 405,266**

[45] **Date of Patent: \*\*Feb. 9, 1999**

[54] **COMBINATION SOFT-SIDED ORGANIZER CASE AND ACCORDION FILE**

5,160,001 11/1992 Marbean ..... 190/902 X

### FOREIGN PATENT DOCUMENTS

[75] Inventor: **Claudia J. Chisholm**, Evanston, Ill.

293329 12/1953 Switzerland ..... 383/31

[73] Assignee: **Kingport International Corporation**, Evanston, Ill.

*Primary Examiner*—Louis S. Zarfaz  
*Assistant Examiner*—Monica A. Weingart  
*Attorney, Agent, or Firm*—Patnaude, Videbeck & Marsh

[\*\*] Term: **14 Years**

### [57] CLAIM

[21] Appl. No.: **80,044**

The ornamental design for a combination soft-sided organizer case and accordion file, as shown and described.

[22] Filed: **Nov. 26, 1997**

### DESCRIPTION

#### Related U.S. Application Data

[63] Continuation of Ser. No. 43,723, Jul. 31, 1995, abandoned.

FIG. 1 is a perspective view of the combination soft-sided organizer and expandable accordion type file showing my new design in a closed vertical position;  
FIG. 2 is a front elevational view thereof;  
FIG. 3 is a top plan view thereof;  
FIG. 4 is a rear elevational view thereof;  
FIG. 5 is a left side elevational view thereof;  
FIG. 6 is a right side elevational view thereof;  
FIG. 7 is a bottom plan view thereof; and,  
FIG. 8 is a front perspective view of the combined soft-sided organizer case and accordion file with the organizer compartment and the adjustable top cover shown in open position.

[51] **LOC (6) Cl.** ..... **03-01**

[52] **U.S. Cl.** ..... **D3/303; D3/900**

[58] **Field of Search** ..... **D3/201, 303, 900; 190/109, 900, 901, 902; 383/30, 31**

#### [56] References Cited

##### U.S. PATENT DOCUMENTS

|            |         |         |       |           |
|------------|---------|---------|-------|-----------|
| D. 368,370 | 4/1996  | Tawil   | ..... | D3/900    |
| 2,103,281  | 12/1937 | Stanley | ..... | 190/902   |
| 2,244,091  | 6/1941  | Wein    | ..... | 190/109 X |
| 3,330,388  | 7/1967  | Stein   | ..... | 383/31 X  |

**1 Claim, 4 Drawing Sheets**

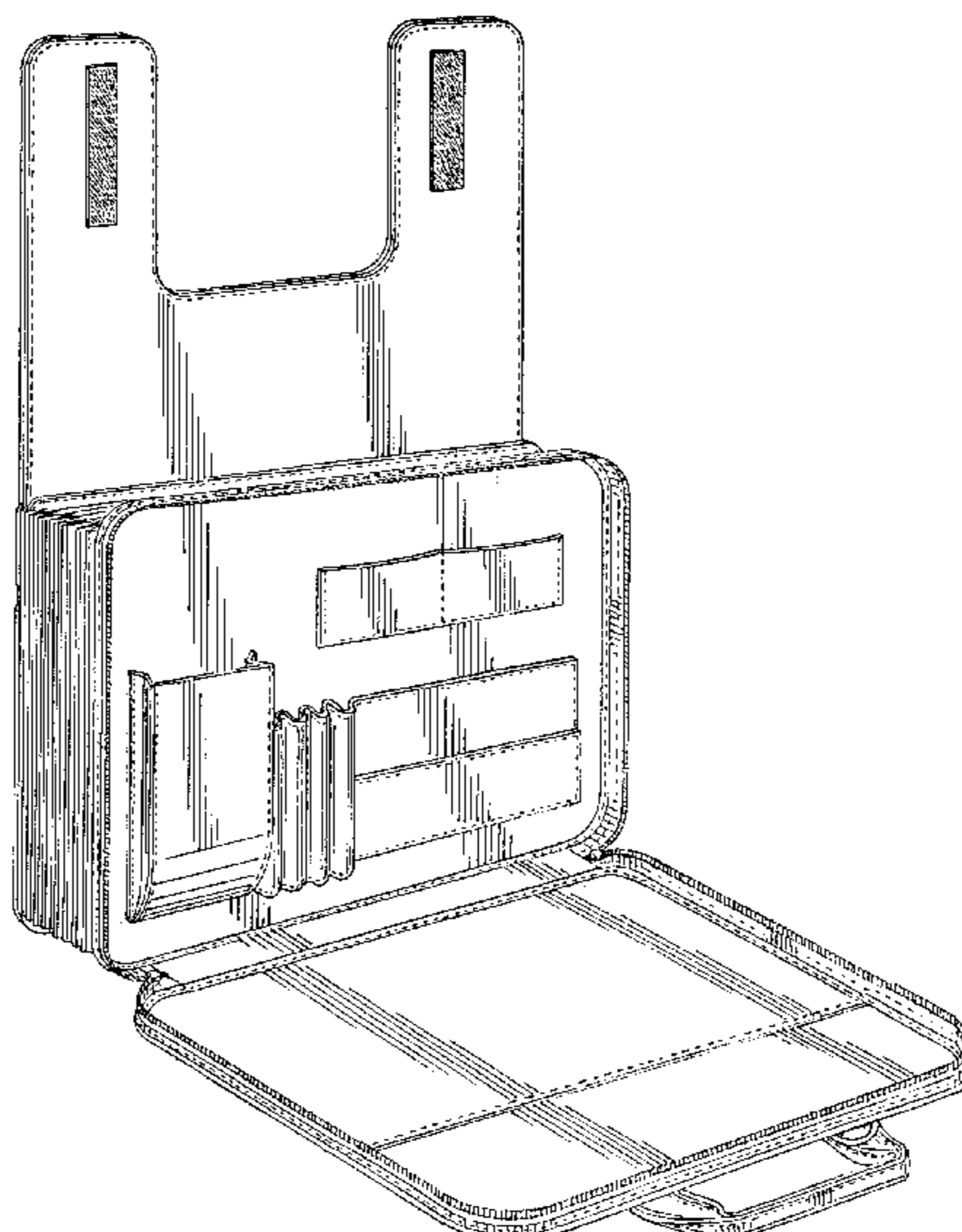
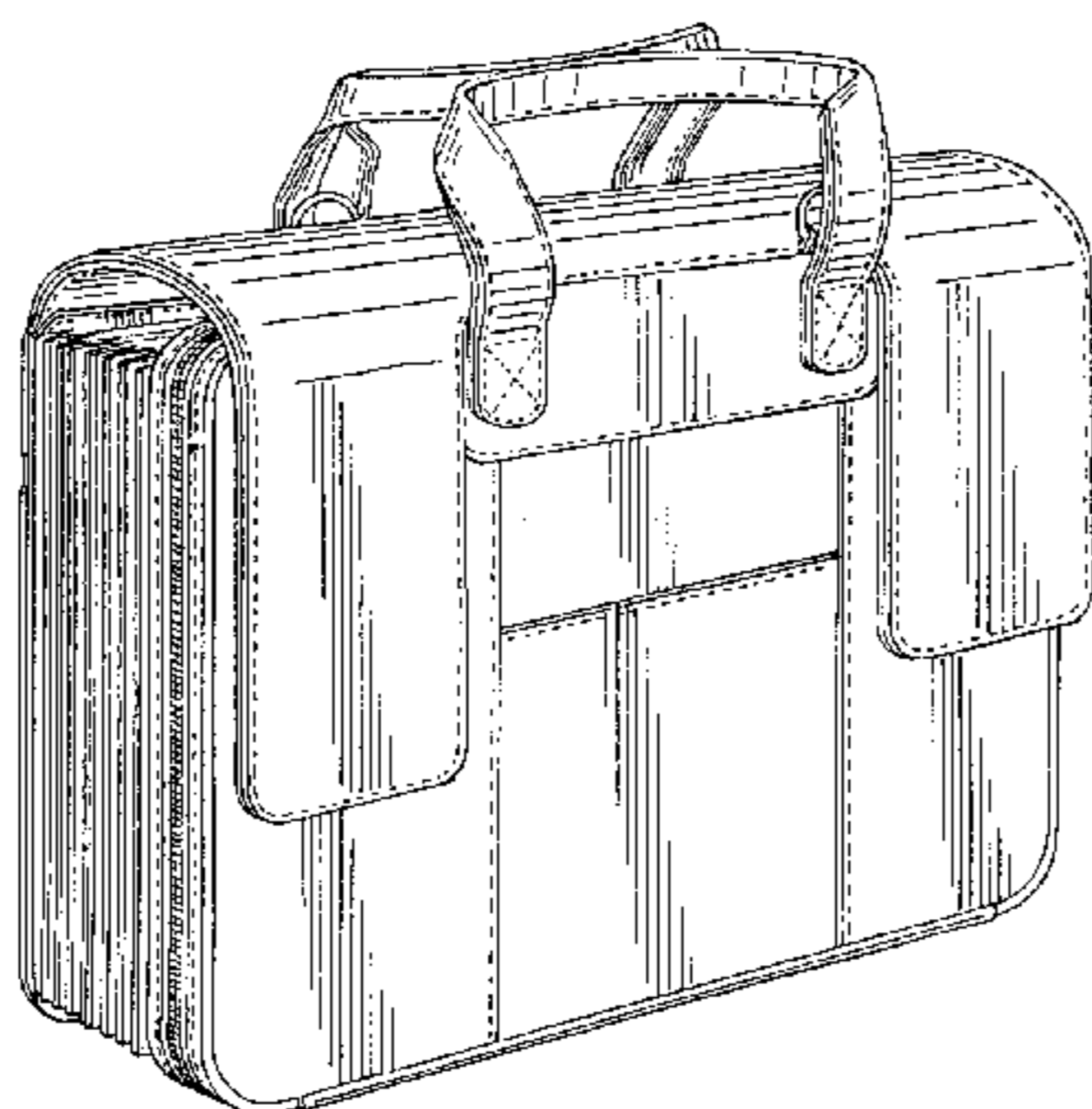


FIG. 1

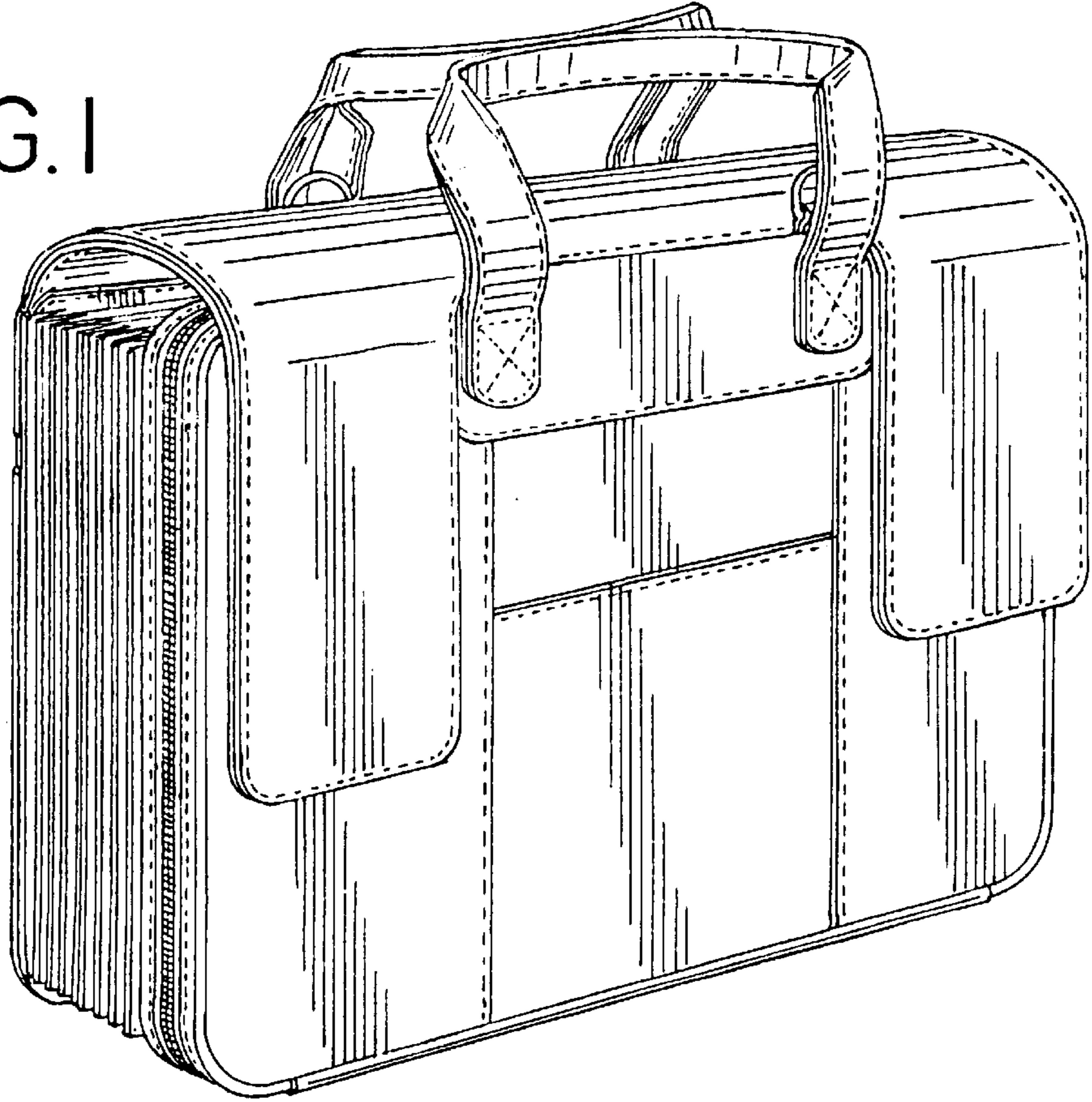


FIG. 2

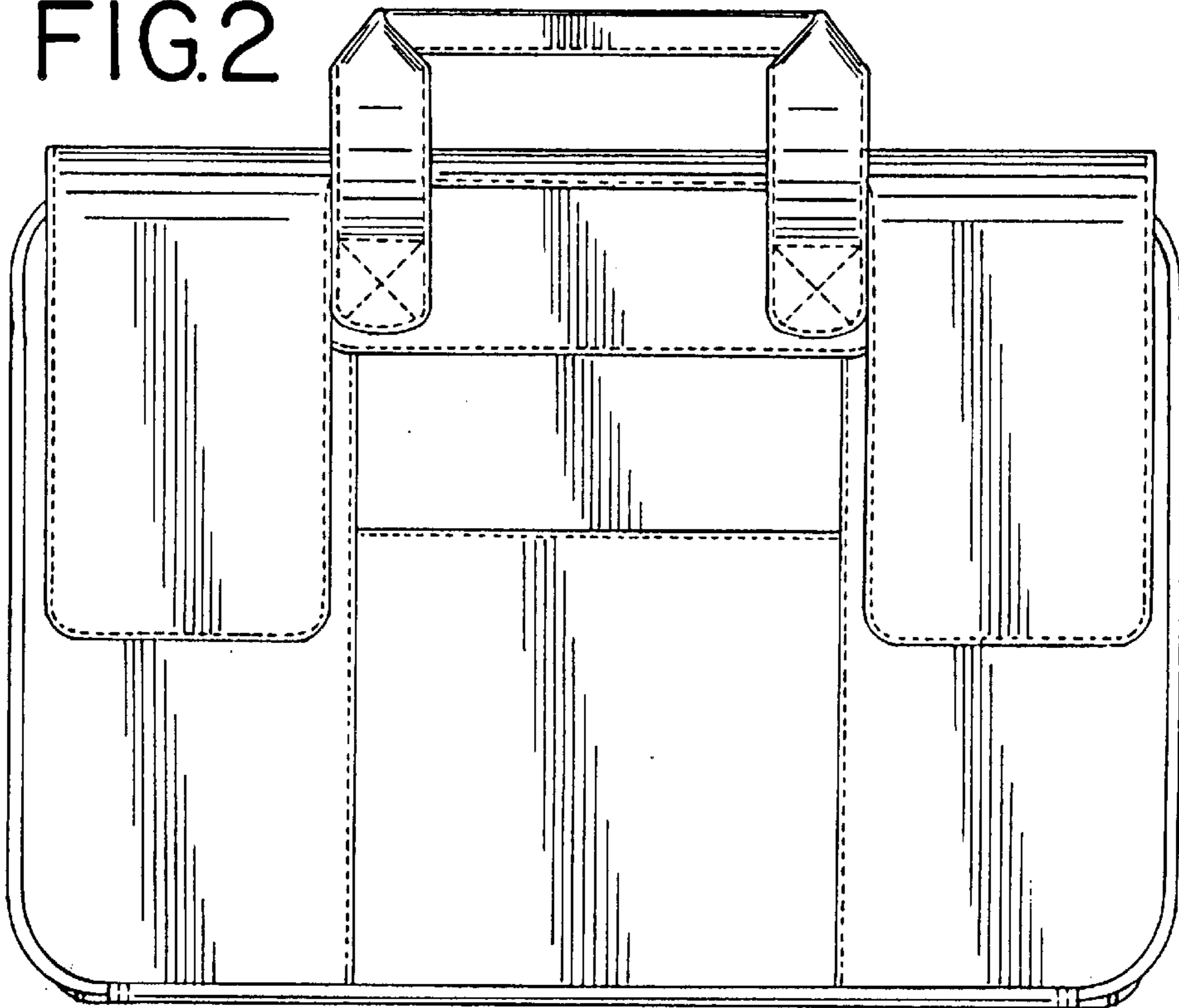


FIG.3

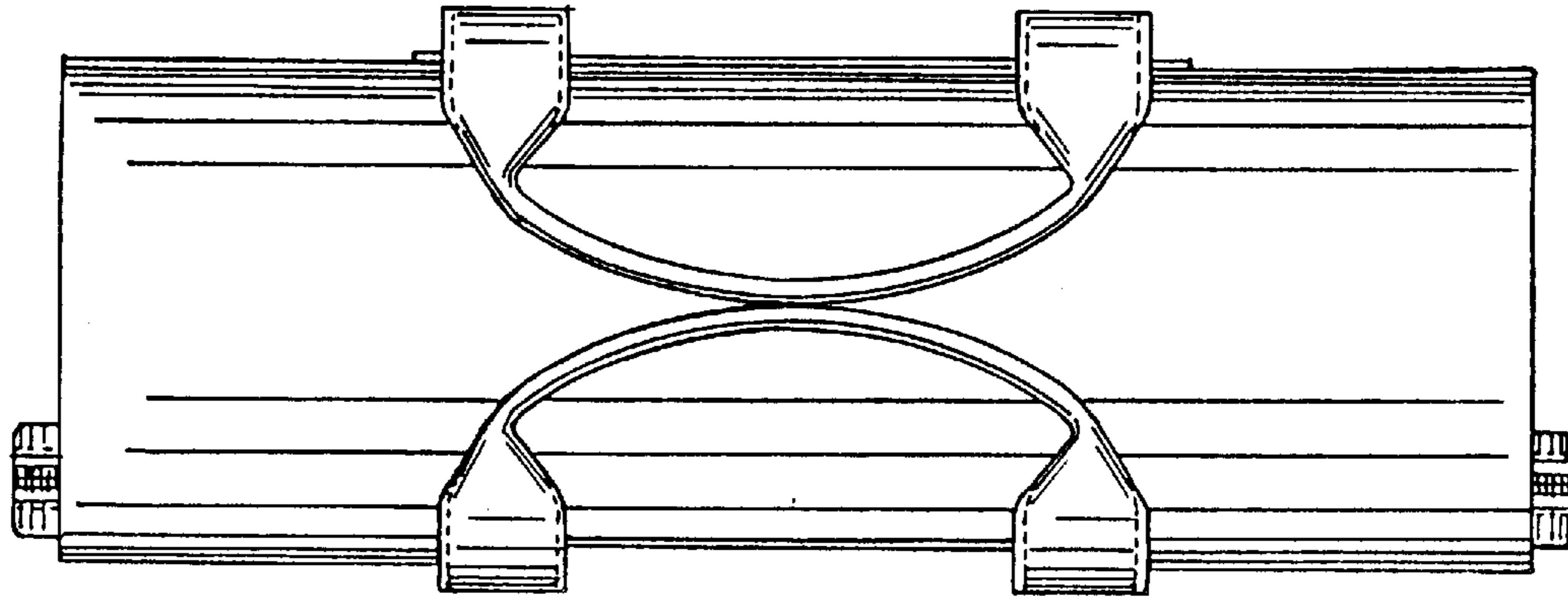


FIG.4

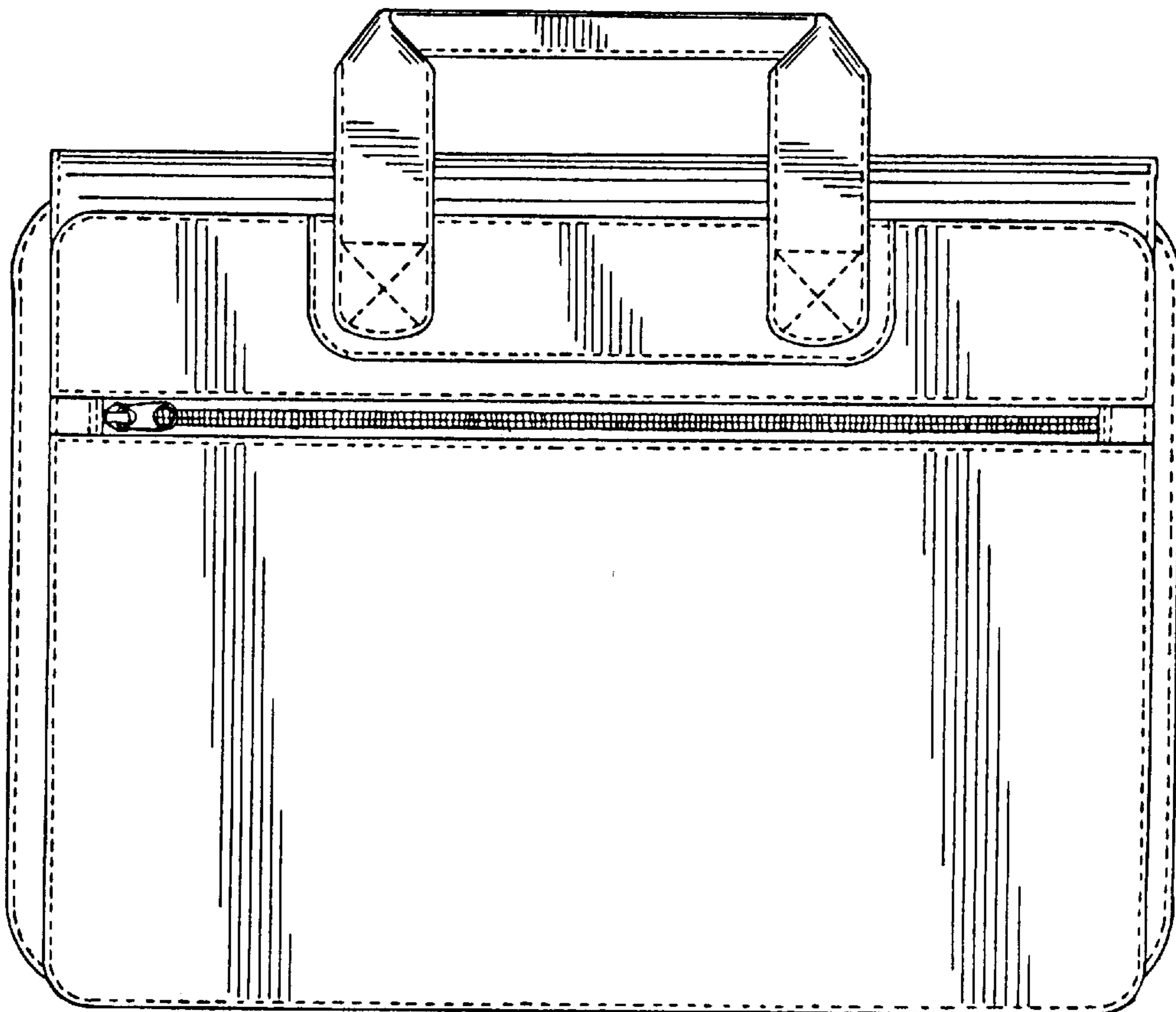


FIG. 5

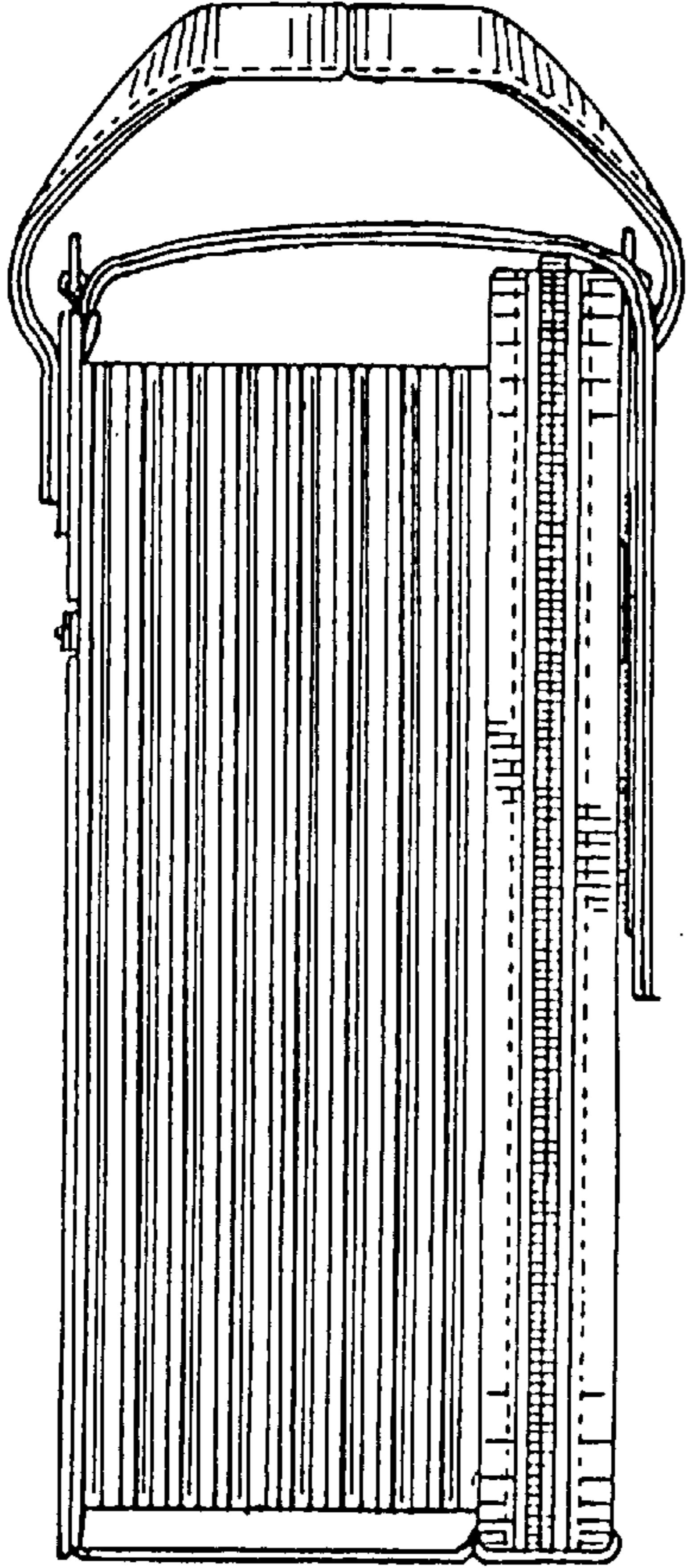


FIG. 6

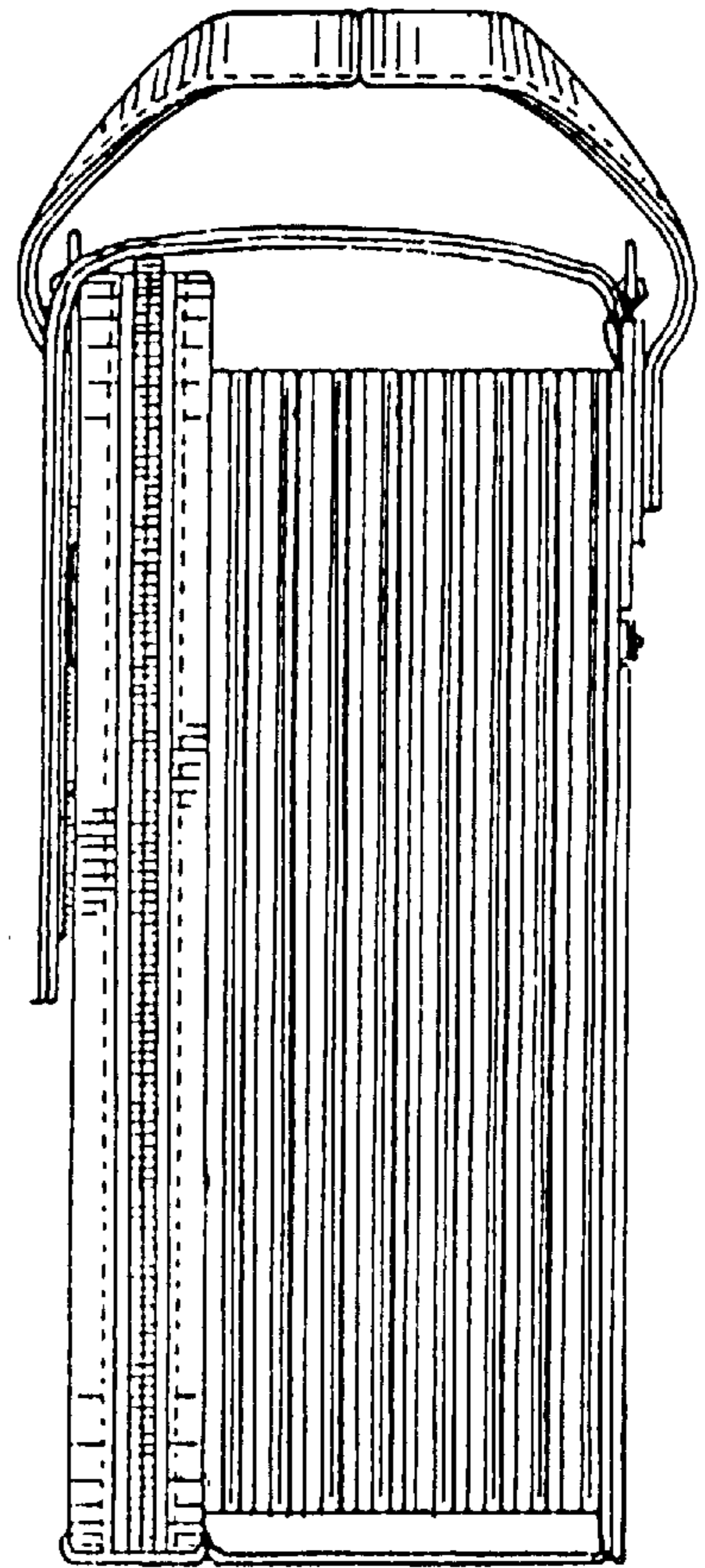


FIG. 7

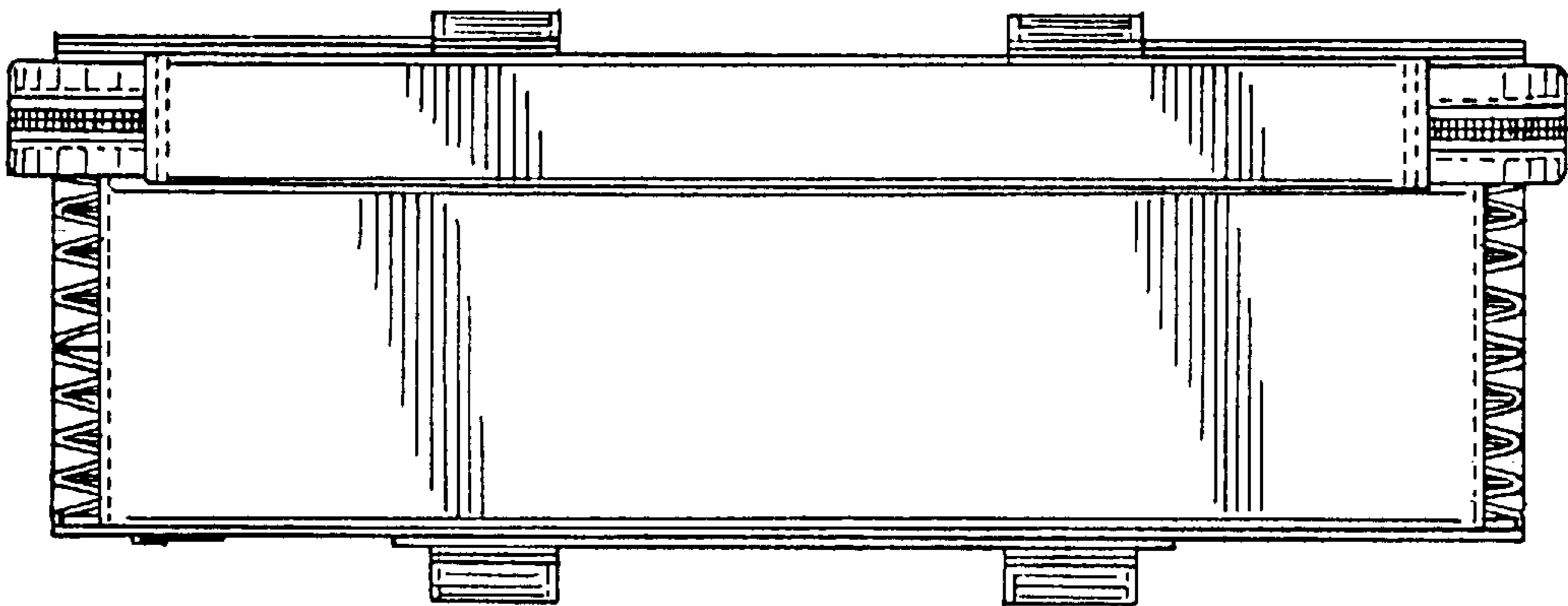


FIG. 8

