



US00D405264S

United States Patent [19] Masters

[11] Patent Number: Des. 405,264

[45] Date of Patent: **Feb. 9, 1999

[54] **HINGED CASE FOR THE COMBINED DISPLAY, STORAGE, AND TRANSPORT OF PLUMBING FIXTURES**

[76] Inventor: **Martin Masters**, 527 Franklin Turnpike, Allendale, N.J. 07401

[**] Term: **14 Years**

[21] Appl. No.: **77,020**

[22] Filed: **Sep. 11, 1997**

[51] **LOC (6) Cl.** **03-01**

[52] **U.S. Cl.** **D3/295; D3/294**

[58] **Field of Search** D3/272, 273, 294, D3/295, 276, 905; 206/349, 372, 373; 190/110, 111, 112, 113, 114, 115

[56] **References Cited**

U.S. PATENT DOCUMENTS

D. 330,975	11/1992	Stafford	D3/270
D. 357,807	5/1995	Meyer	D3/276
D. 383,641	9/1997	Maton	D3/294
2,451,890	2/1948	Schaperkotter et al.	.	
2,528,249	10/1950	Serwin	.	
3,578,153	5/1971	Olson	206/373
3,926,308	12/1975	Sullivan	206/372
5,242,050	9/1993	Billings	206/372

OTHER PUBLICATIONS

Plumbing & Mechanical Magazine, p. 106, Case for Plumbing Fixtures, Oct. 1995.

Primary Examiner—Philip S. Hyder

Attorney, Agent, or Firm—Patrick J. Pinto

[57] **CLAIM**

The ornamental design for a hinged case for the combined display, storage, and transport of plumbing fixtures, as shown and described.

DESCRIPTION

FIG. 1 is a front view of a hinged case for the combined display, storage, and transport of plumbing fixtures, showing my new design, this view showing my hinged case in a display condition and having its removable and vertically adjustable shelves mounted therein;

FIG. 2 is a top view thereof, a bottom view being a mirror image thereof;

FIG. 3 is a right side view thereof;

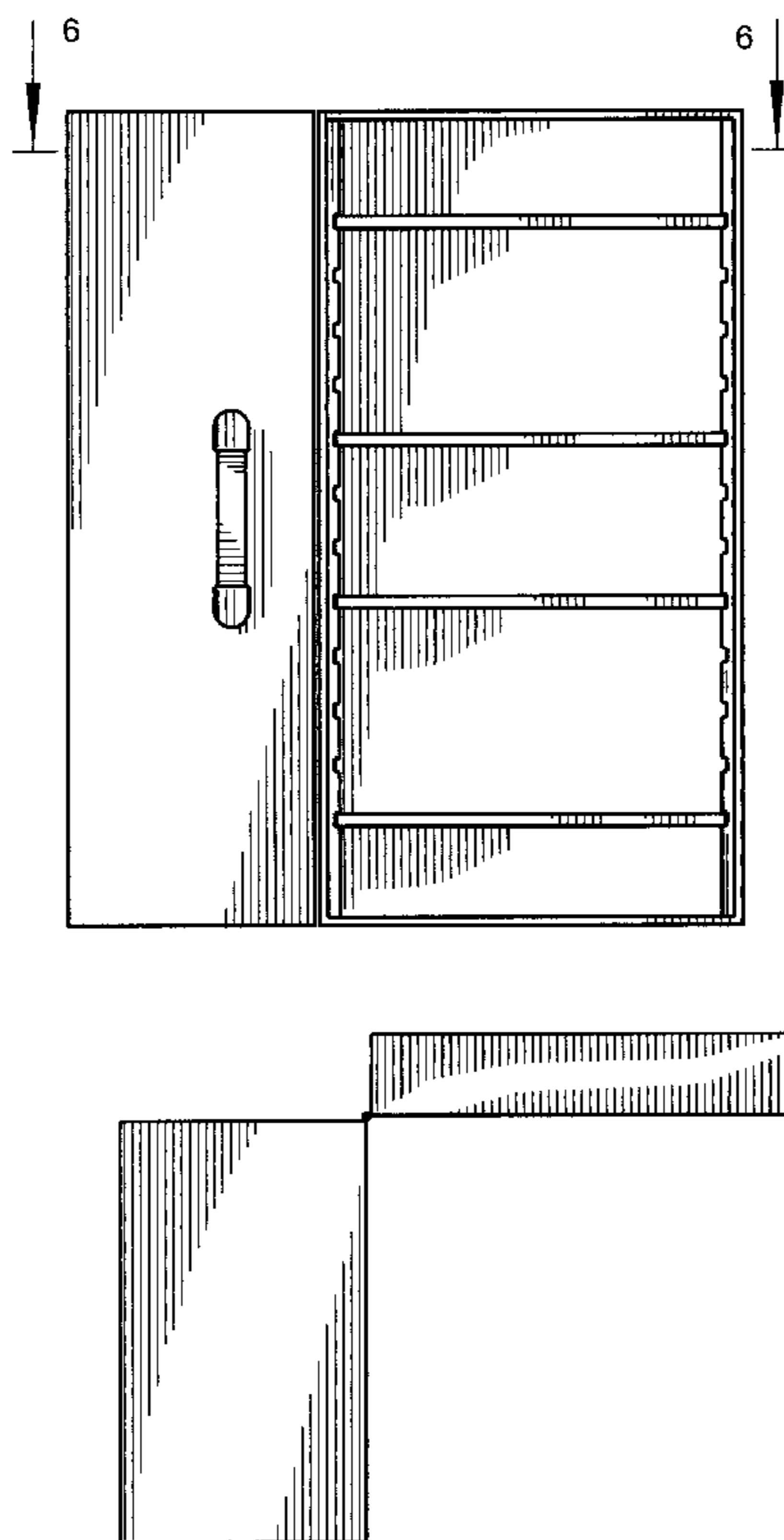
FIG. 4 is a left side view thereof;

FIG. 5 is a rear view thereof;

FIG. 6 is a section view thereof, this view being taken in the direction of arrows 6—6 in FIG. 1, this view showing the arrangement of the shelf members and their aperture patterns; all small shelves being alike, a lower large shelf member, having an alternate aperture pattern, being shown in a removed condition; and,

FIG. 7 is a top view thereof, this view showing my hinged case in a closed condition for storage and transport.

1 Claim, 2 Drawing Sheets



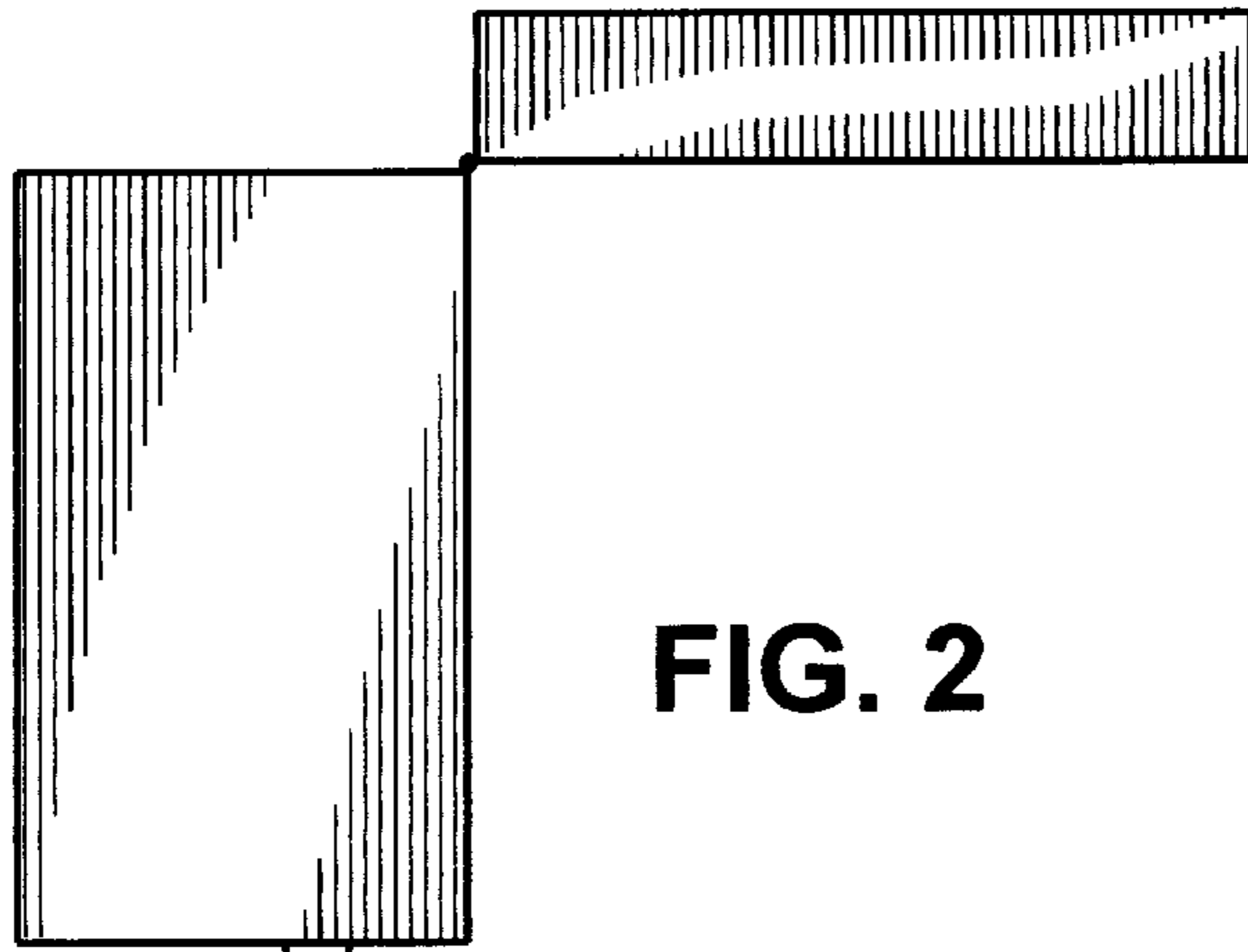


FIG. 2

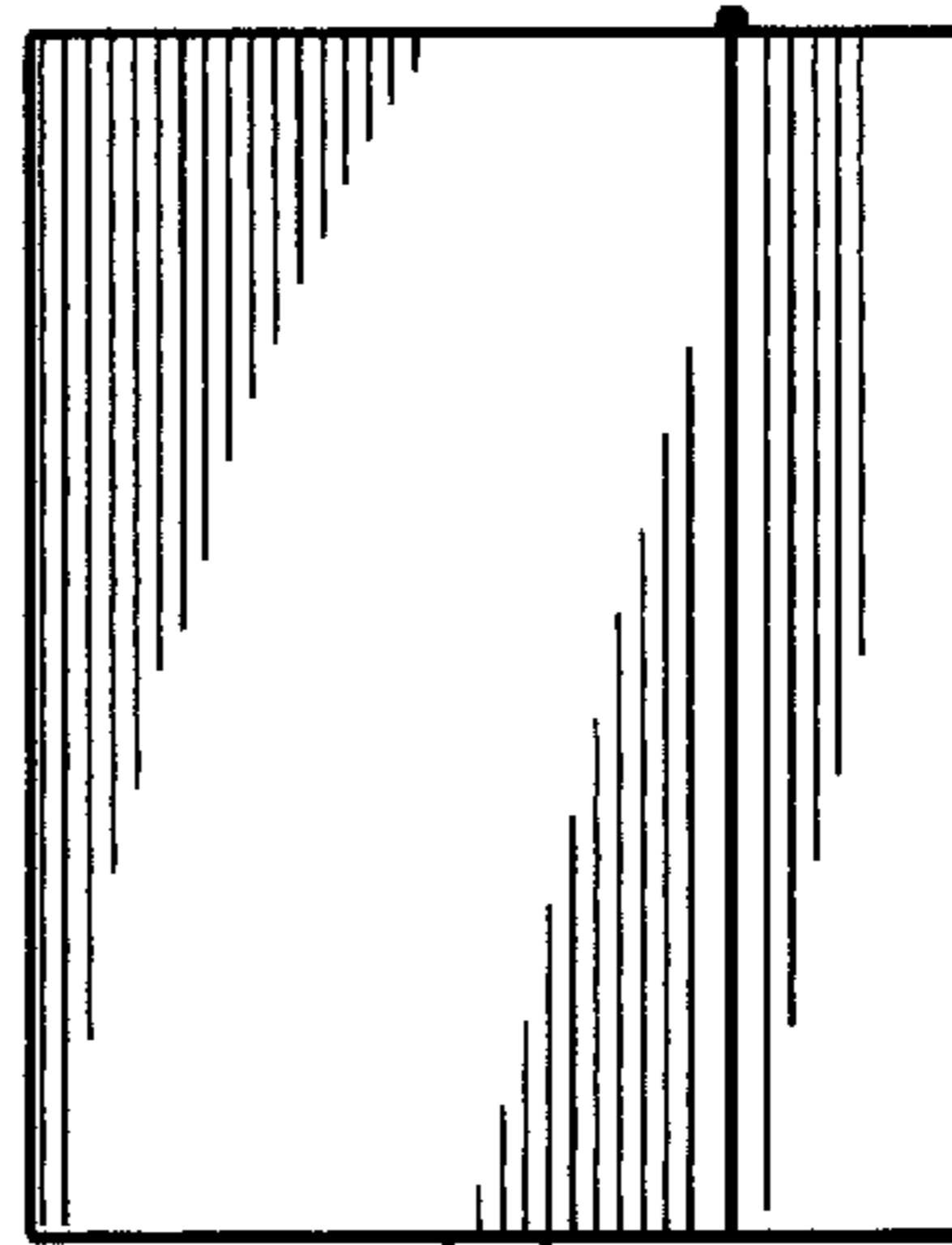


FIG. 7

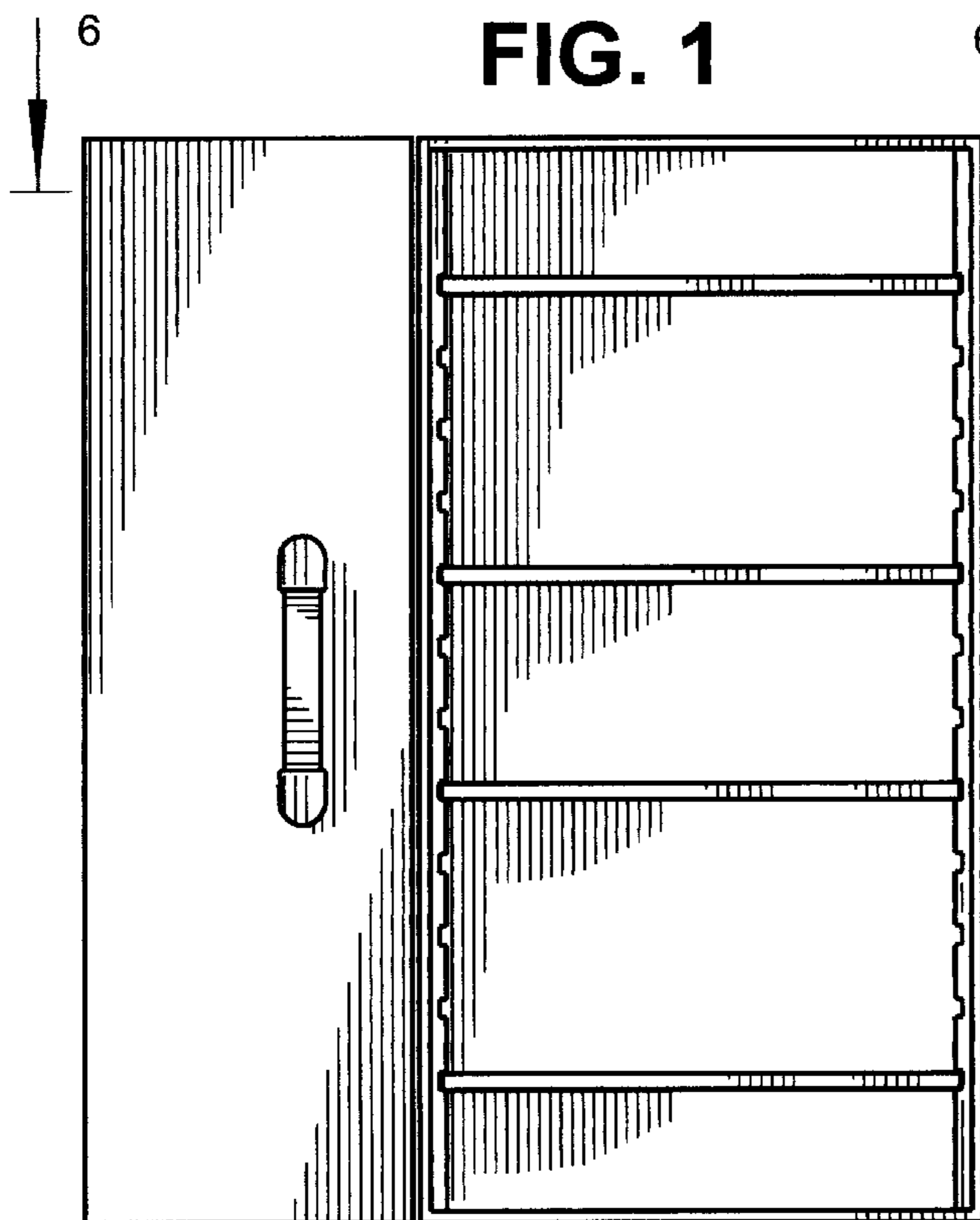


FIG. 1

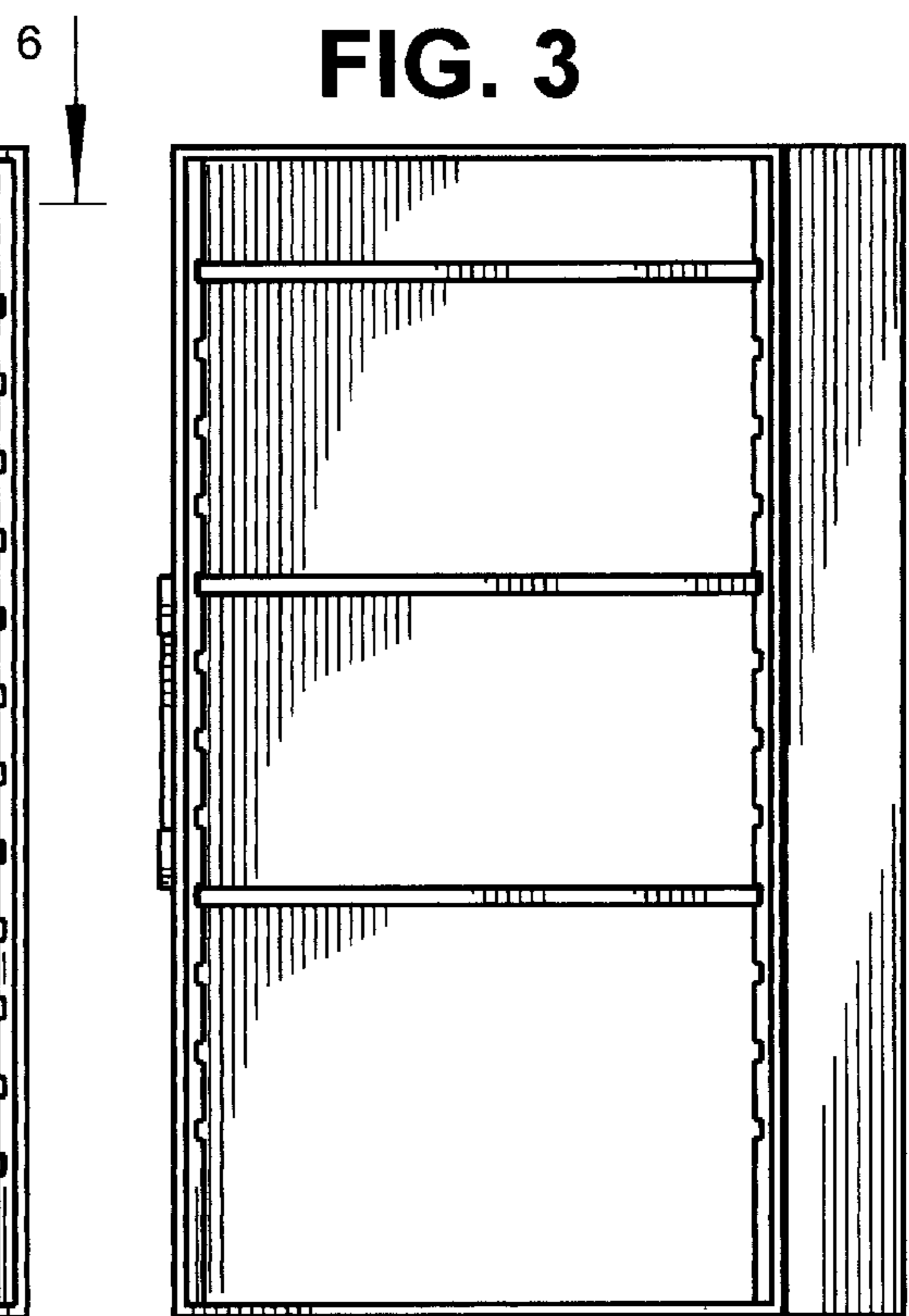


FIG. 3

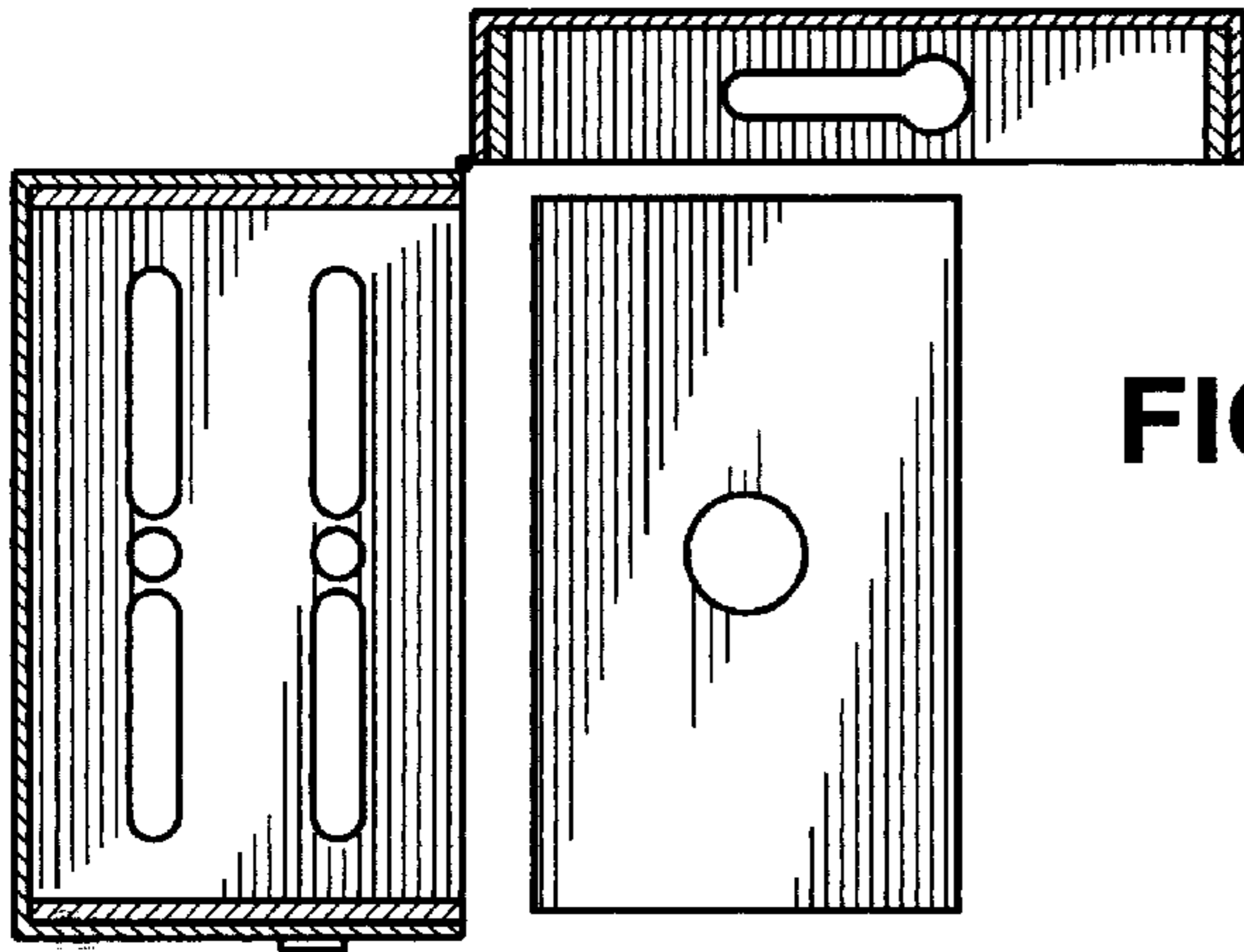


FIG. 6

FIG. 4

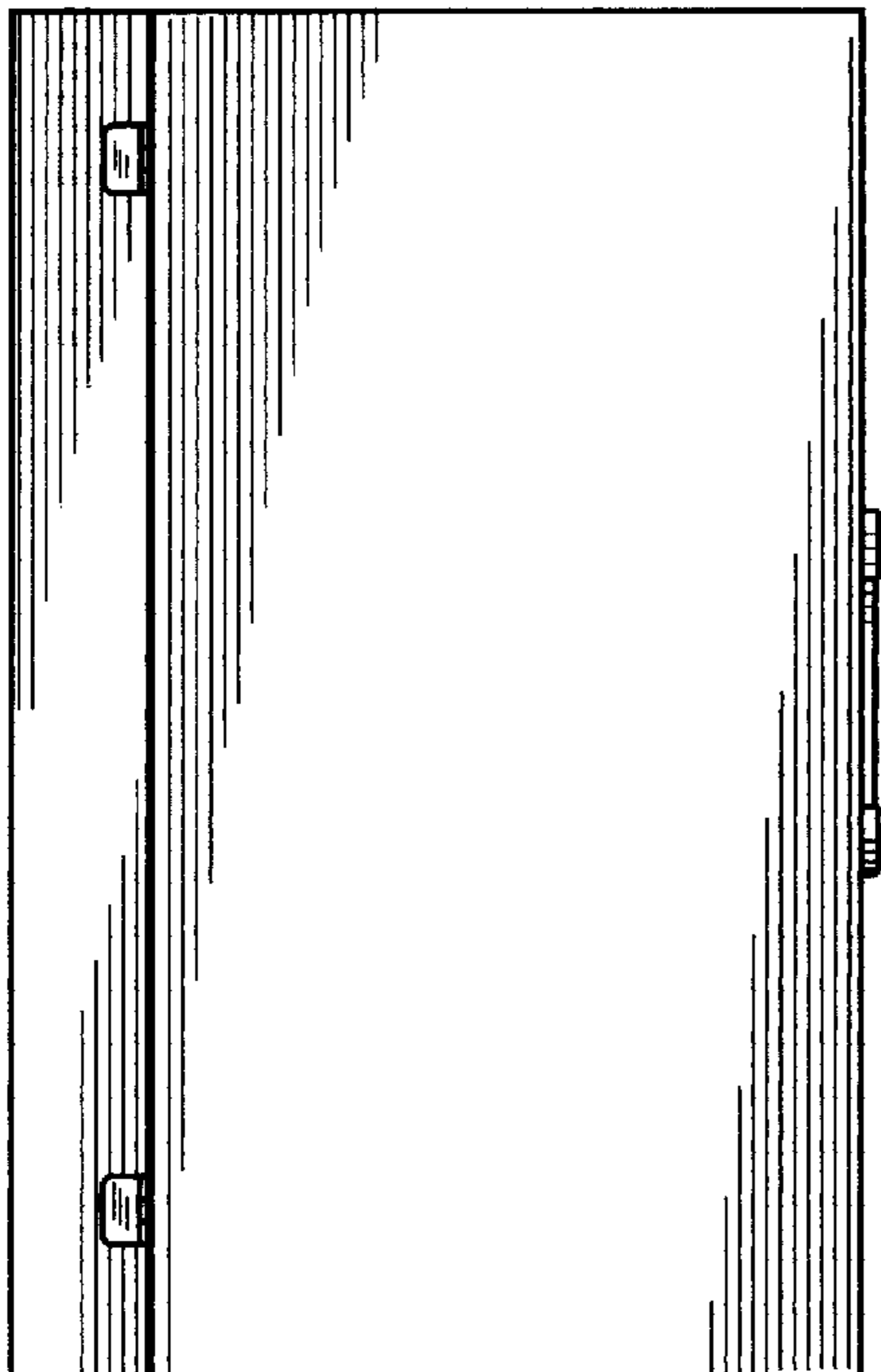


FIG. 5

