



US00D405256S

# United States Patent [19]

Chacon et al.

[11] Patent Number: Des. 405,256

[45] Date of Patent: \*\*Feb. 9, 1999

[54] **HOLSTER FOR A HAND-HELD COMPUTER**

[75] Inventors: **Debbie A. Chacon**, Seattle; **Jeffrey M. Payne**, Bothell, both of Wash.

[73] Assignee: **Intermec IP Corp.**, Everett, Wash.

[\*\*] Term: **14 Years**

[21] Appl. No.: **68,323**

[22] Filed: **Apr. 3, 1997**

[51] **LOC (6) Cl.** ..... **03-01**

[52] **U.S. Cl.** ..... **D3/218**

[58] **Field of Search** ..... D3/215, 218, 224, D3/226, 228, 201, 229, 222, 223, 203; 224/904, 901, 901.2, 902, 240, 236, 255, 242, 660, 661, 667, 192, 193, 271, 197, 198, 676, 587; 206/305; 455/351, 347, 348; D14/251, 253; D6/475

### [56] References Cited

#### U.S. PATENT DOCUMENTS

D. 367,166	2/1996	Hettenbach	.....	D3/203
D. 372,145	7/1996	Elmer	.....	D6/475
D. 373,242	9/1996	Beletsky	.....	D3/222
D. 373,243	9/1996	Tovey et al.	.....	D3/228
D. 374,768	10/1996	Lundie, Jr.	.....	D3/218
D. 374,770	10/1996	Case	.....	D3/229
D. 374,937	10/1996	Salas	.....	D25/68
4,775,083	10/1988	Burger et al.	.....	224/240
4,917,281	4/1990	Ostermiller	.....	224/904 X
5,537,678	7/1996	King et al.	.....	455/348
5,540,368	7/1996	Oliva	.....	224/271
5,544,794	8/1996	Nichols	.....	224/667

5,547,115	8/1996	Ambrosius et al.	.....	224/240
5,551,079	8/1996	Panther et al.	.....	455/347
5,551,610	9/1996	Clifton, Jr.	.....	224/197
5,551,611	9/1996	Gilmore	.....	224/198
5,570,827	11/1996	Wiesner	.....	224/587
5,570,830	11/1996	Nichols	.....	224/676
5,718,104	2/1998	Kennedy	.....	206/305

*Primary Examiner*—Doris V. Coles  
*Assistant Examiner*—Catherine R. Oliver  
*Attorney, Agent, or Firm*—Seed and Berry LLP

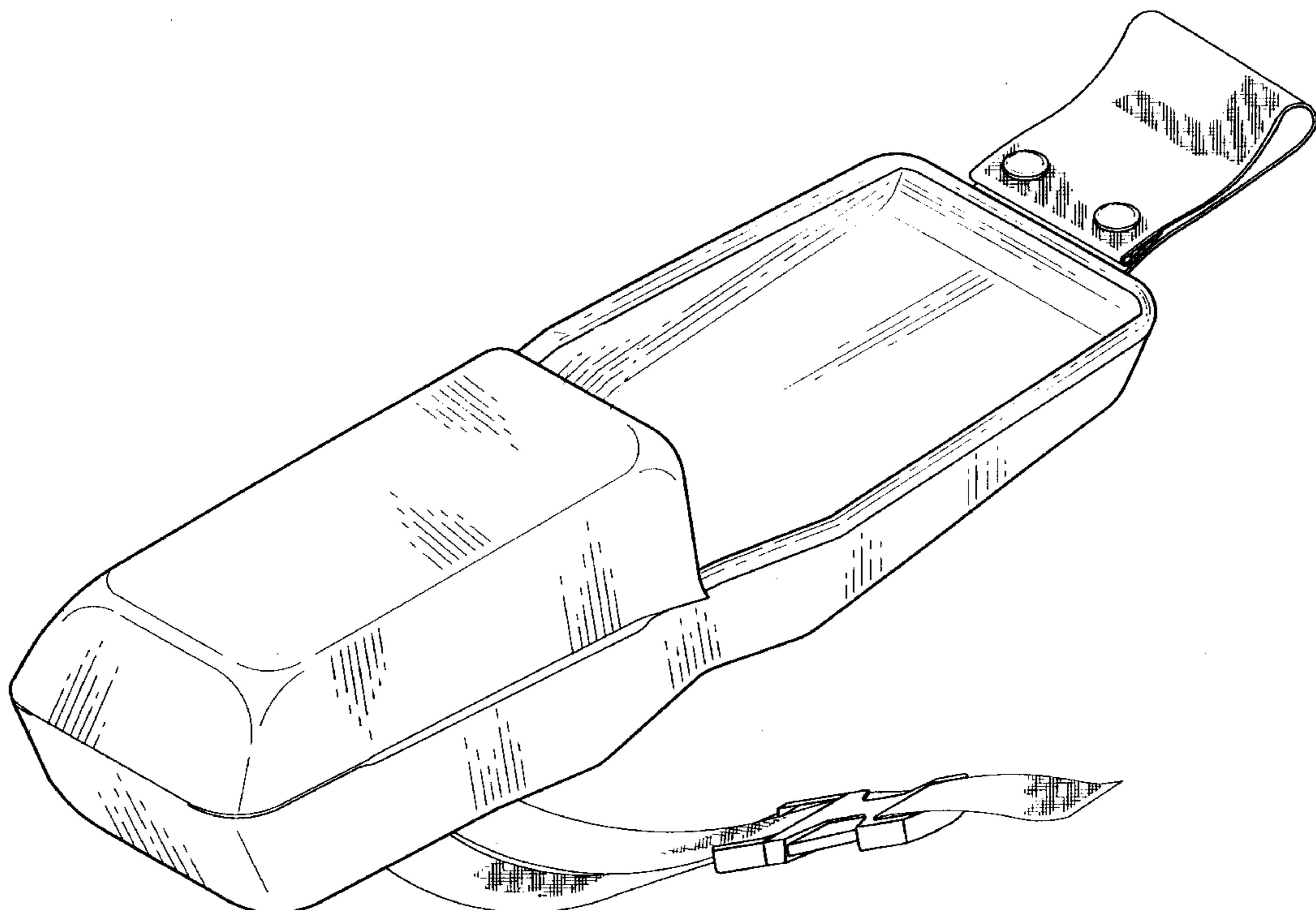
### [57] CLAIM

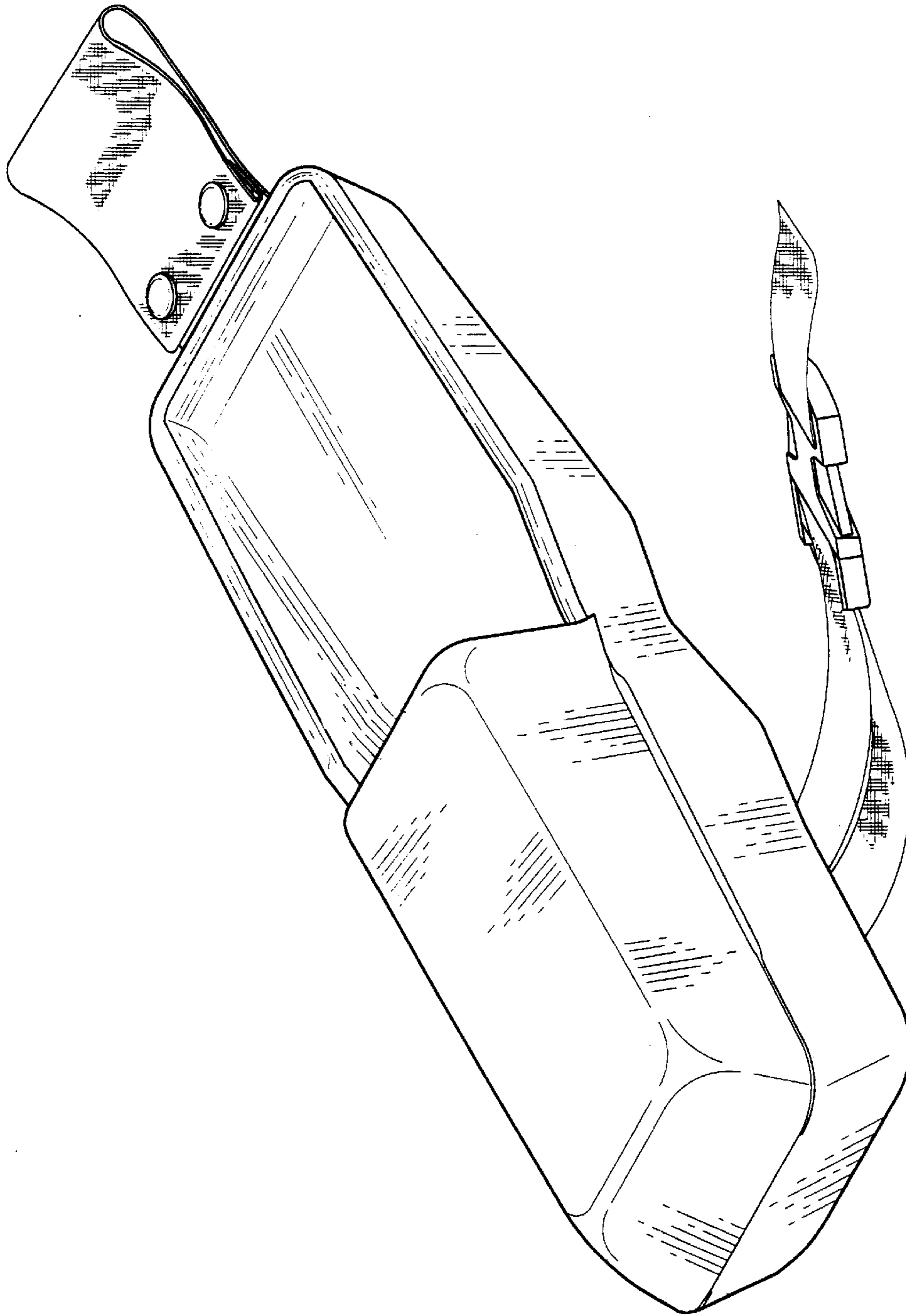
The ornamental design for a holster for a hand-held computer, as shown and described.

### DESCRIPTION

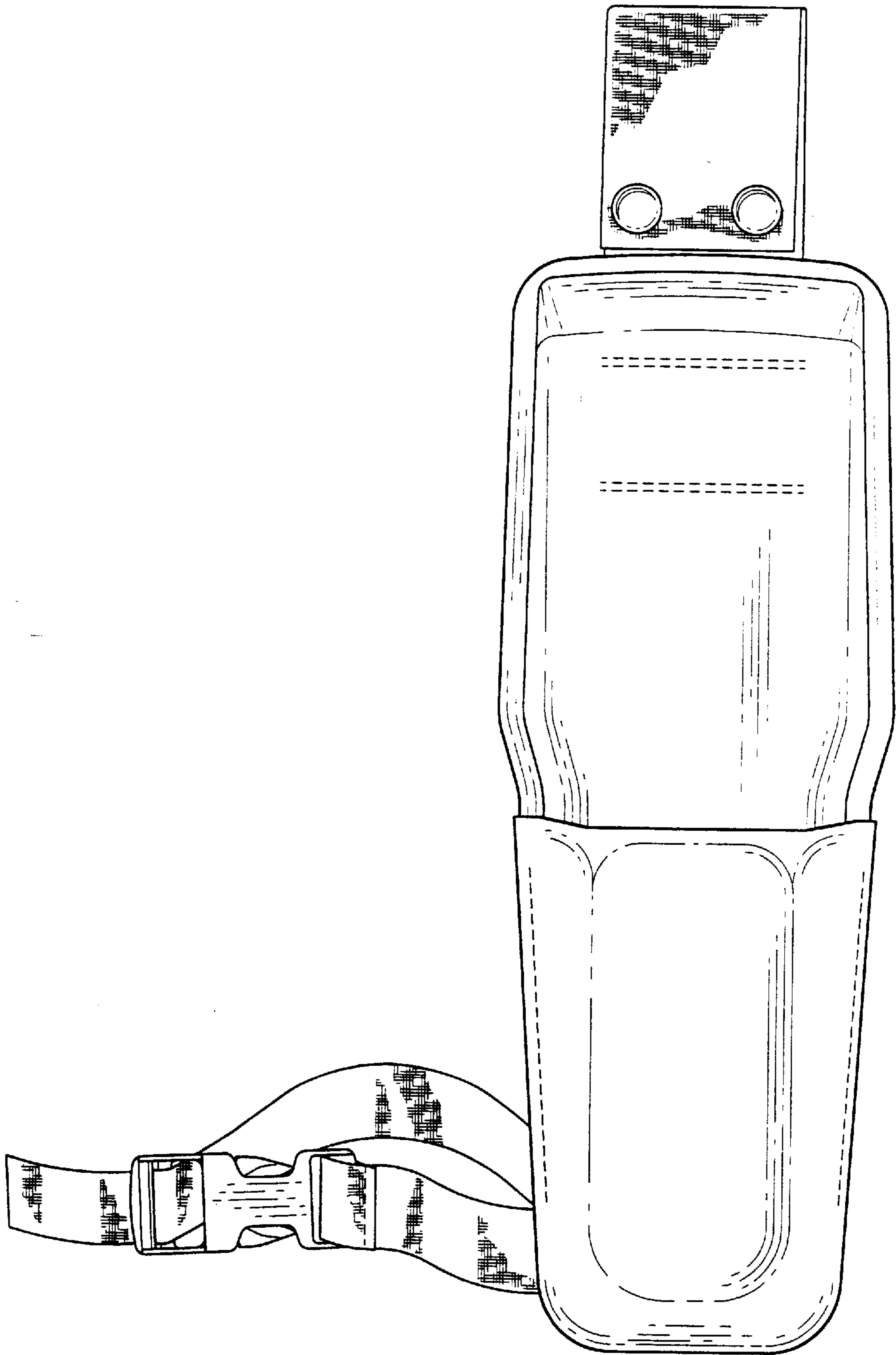
FIG. 1 is an isometric view of a first embodiment of a holster for a hand-held computer showing our new design; FIG. 2 is a front elevational view of the first embodiment; FIG. 3 is a rear elevational view of the first embodiment; FIG. 4 is a right side elevational view of the first embodiment, the left side view being a mirror image thereof; FIG. 5 is a top plan view of the first embodiment; FIG. 6 is a bottom plan view of the first embodiment; FIG. 7 is an isometric view of a second embodiment of the holster of FIG. 1; FIG. 8 is a front elevational view of the second embodiment; FIG. 9 is a rear elevational view of the second embodiment; FIG. 10 is a right side elevational view of the second embodiment, the left side view being a mirror image thereof; FIG. 11 is a top plan view of the second embodiment; and, FIG. 12 is a bottom plan view of the second embodiment.

**1 Claim, 10 Drawing Sheets**

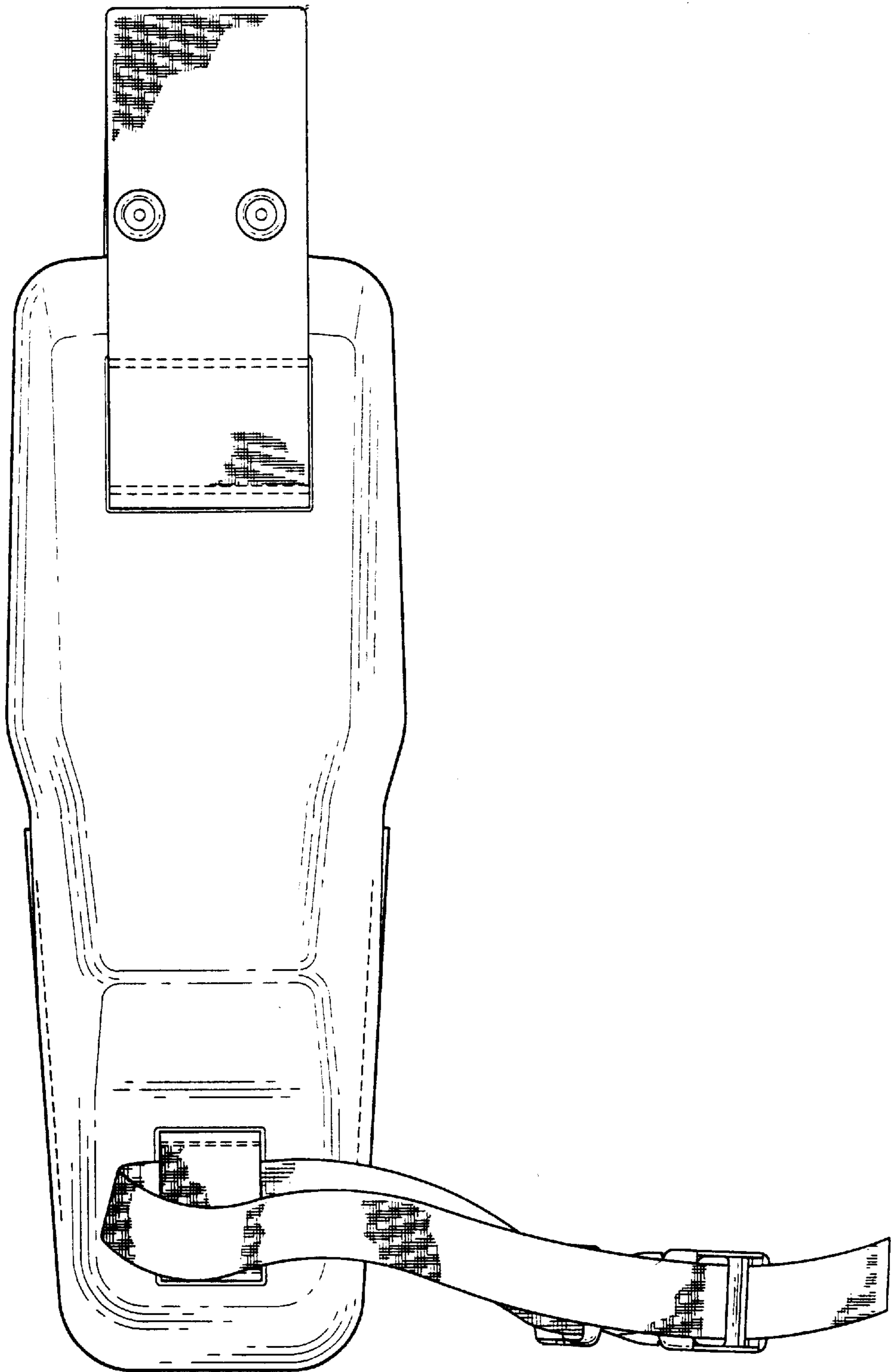




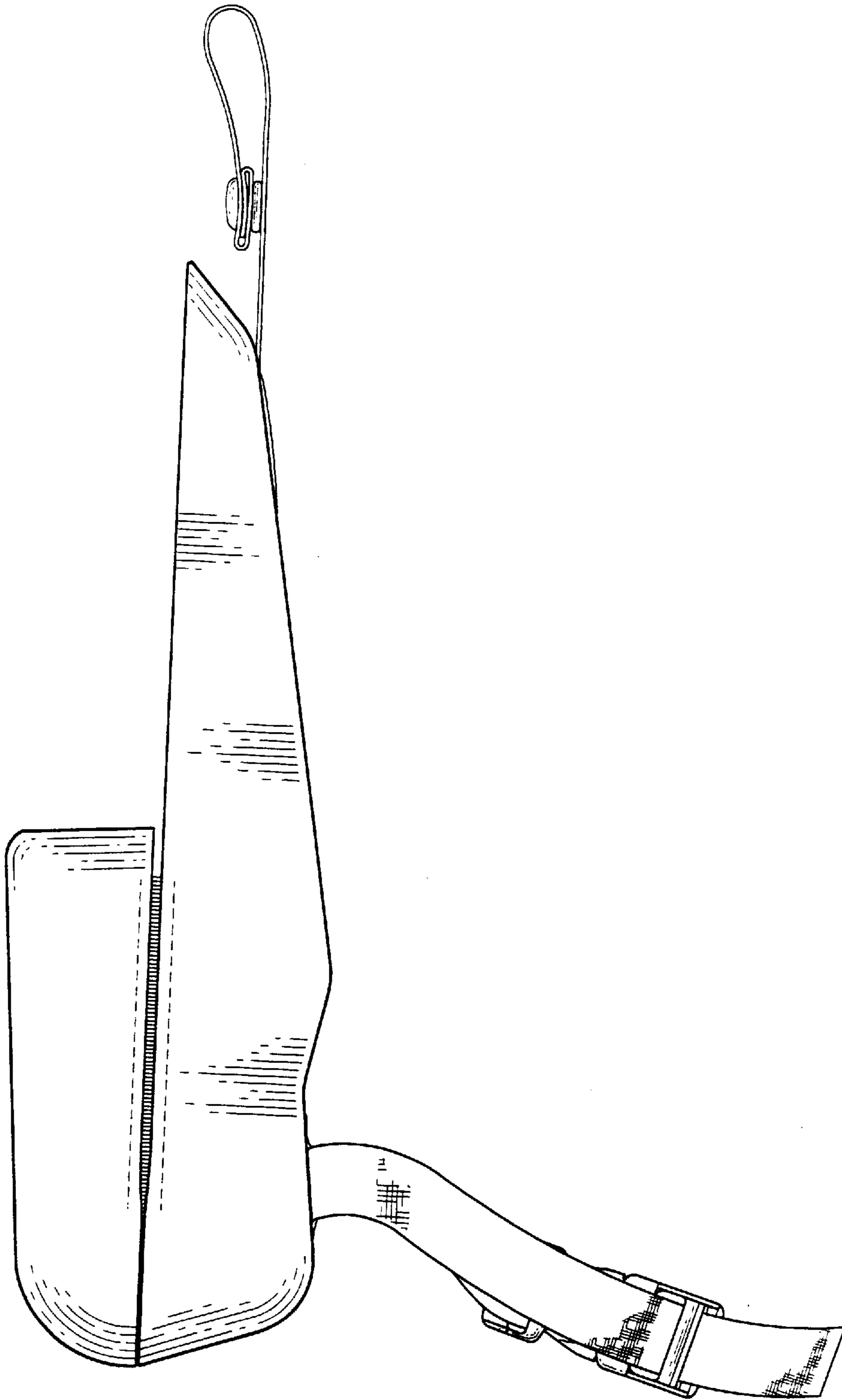
*Fig. 1*



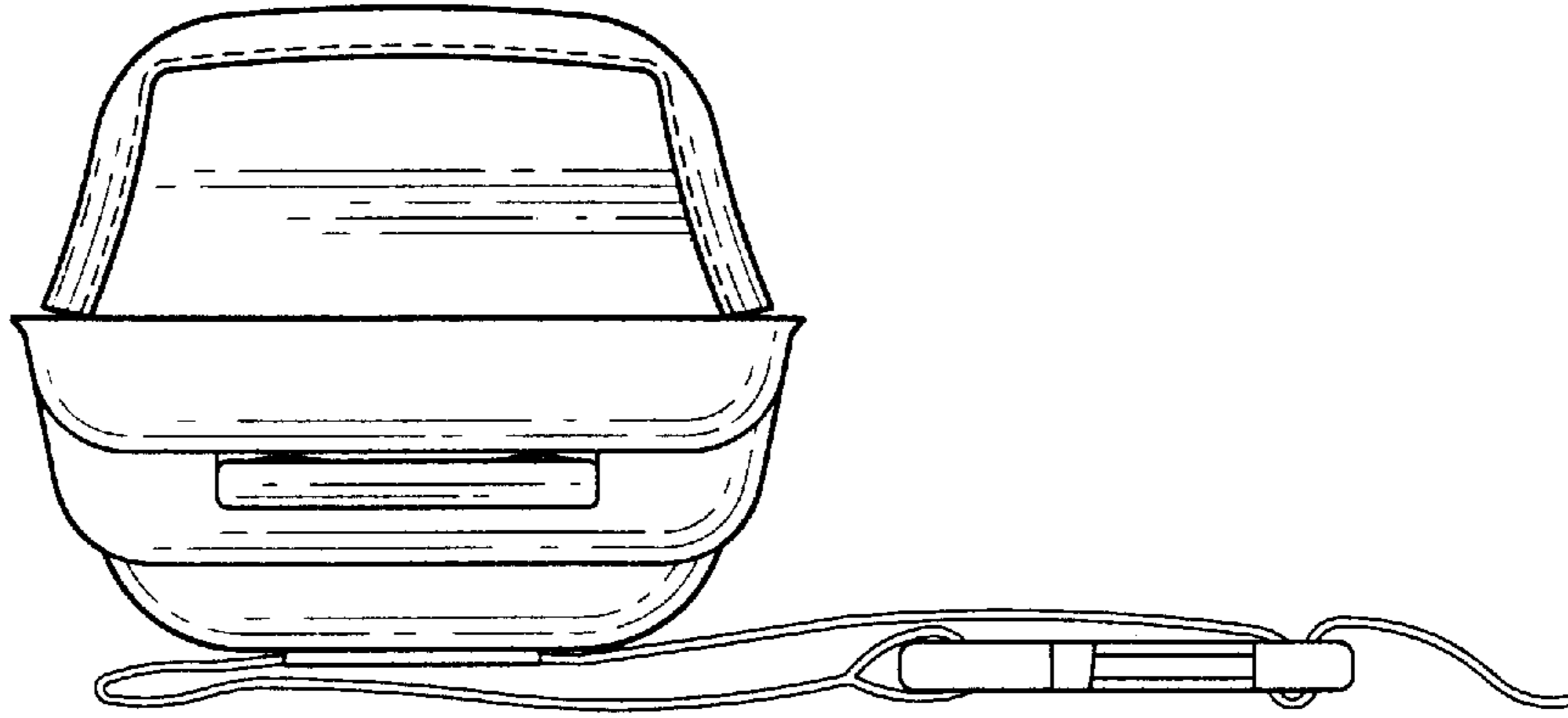
*Fig. 2*



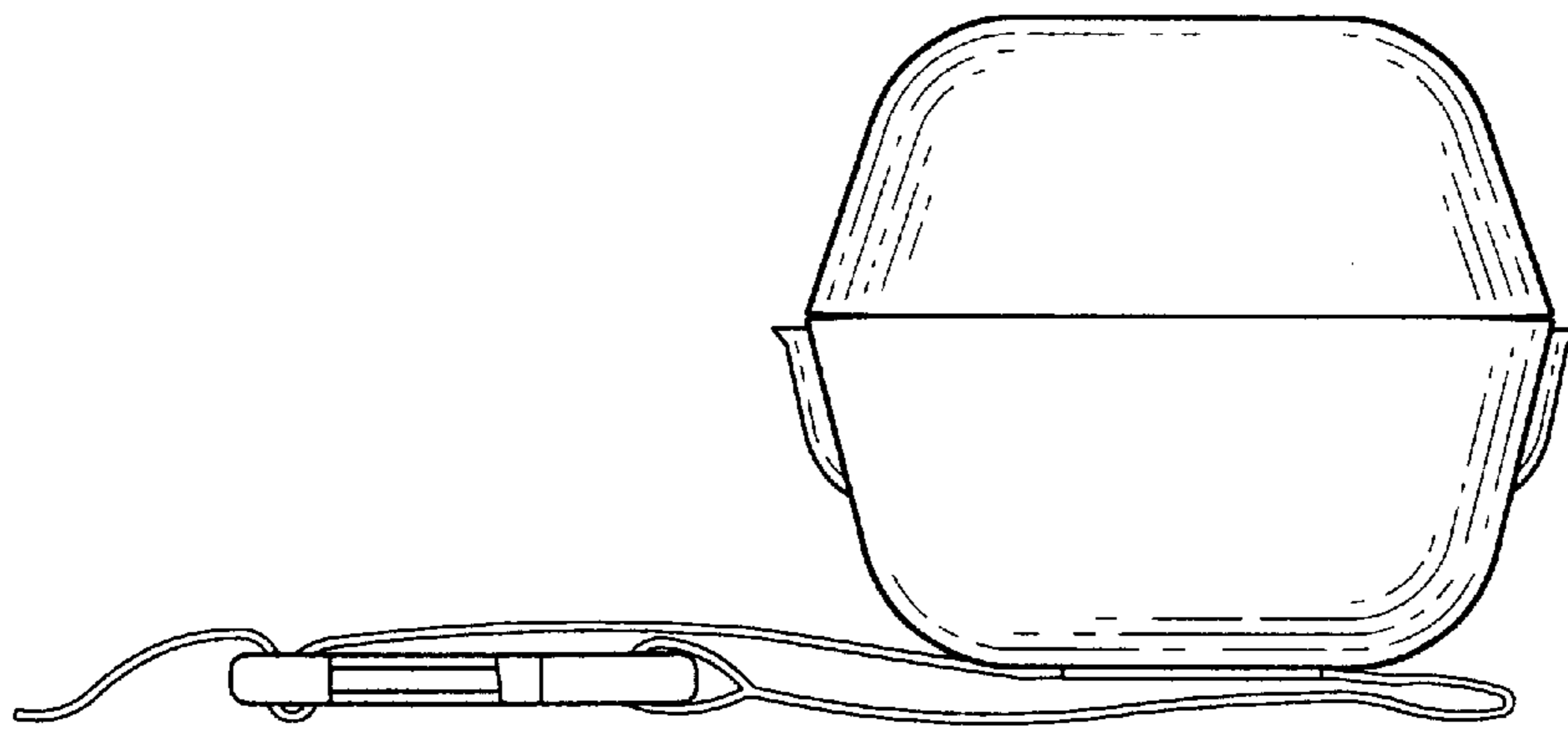
*Fig. 3*



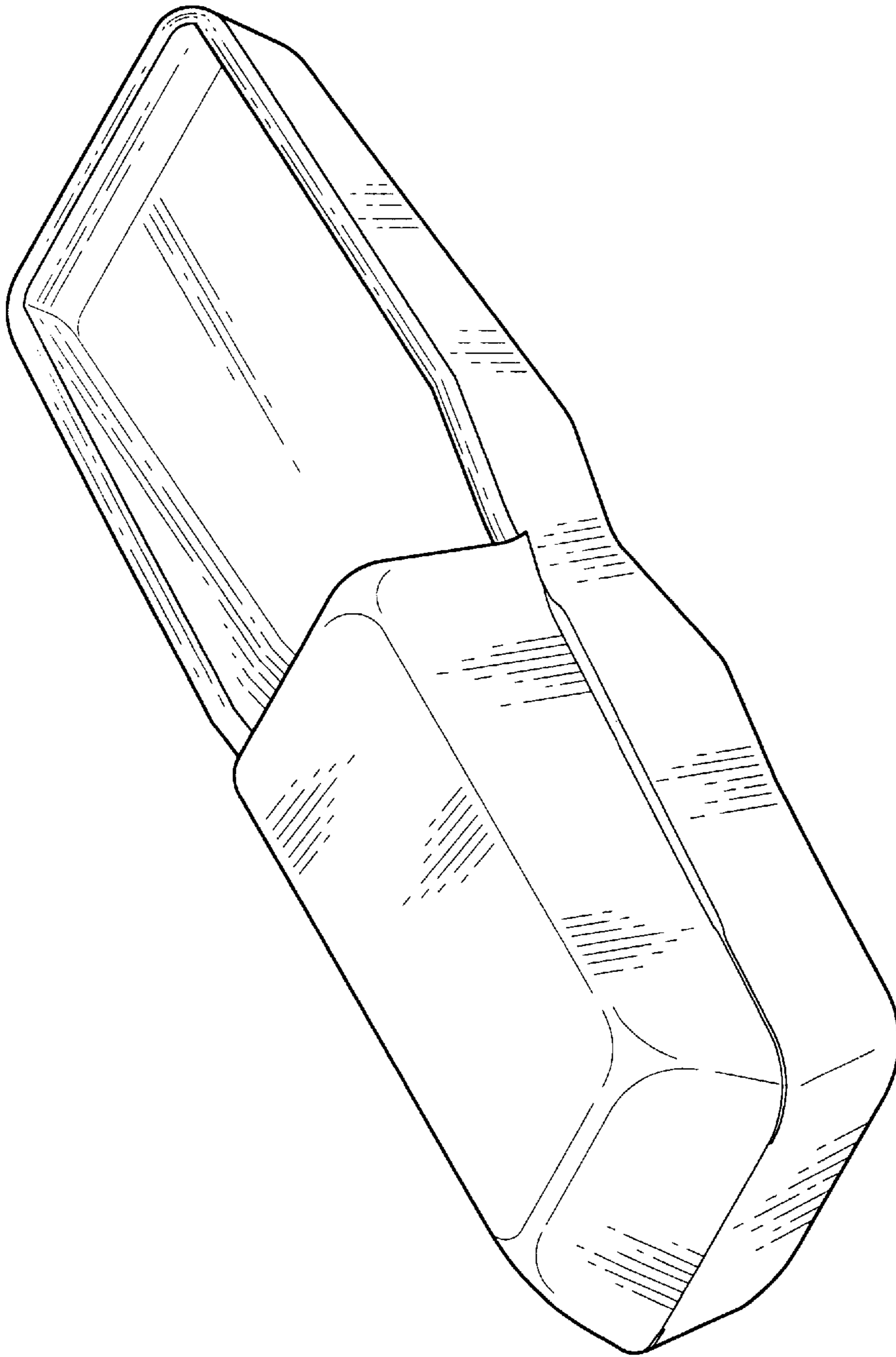
*Fig. 4*



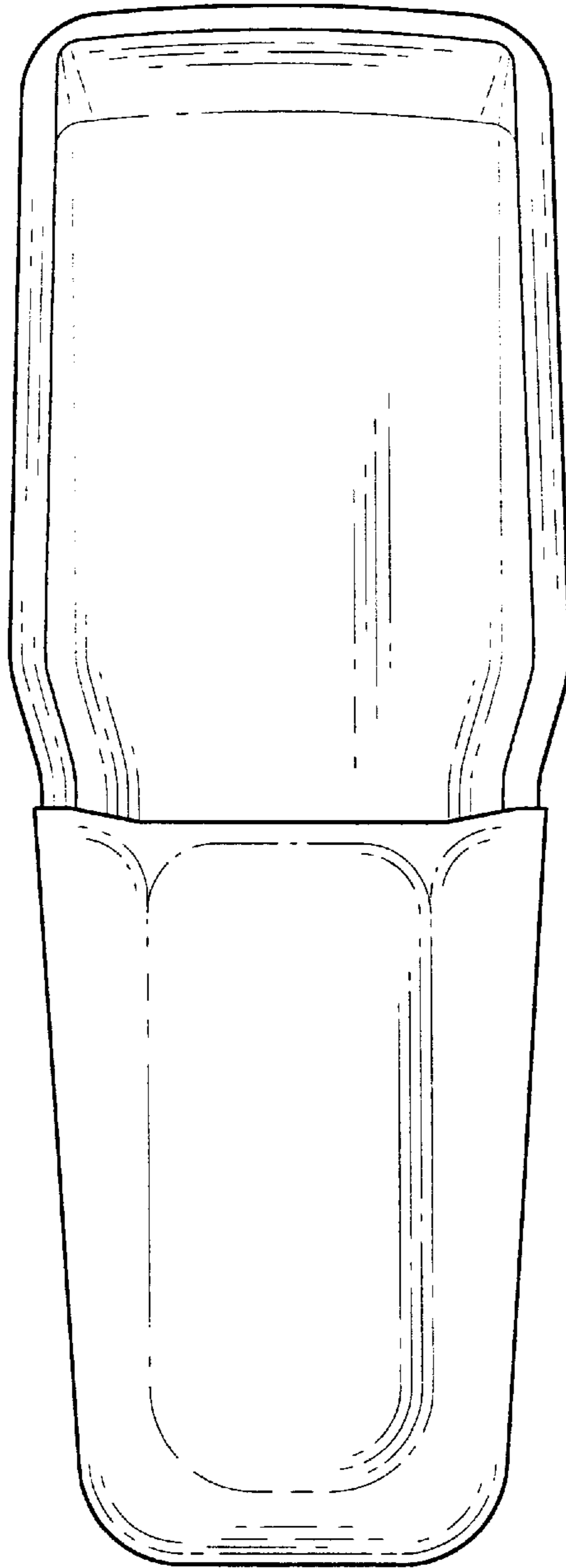
*Fig. 5*



*Fig. 6*

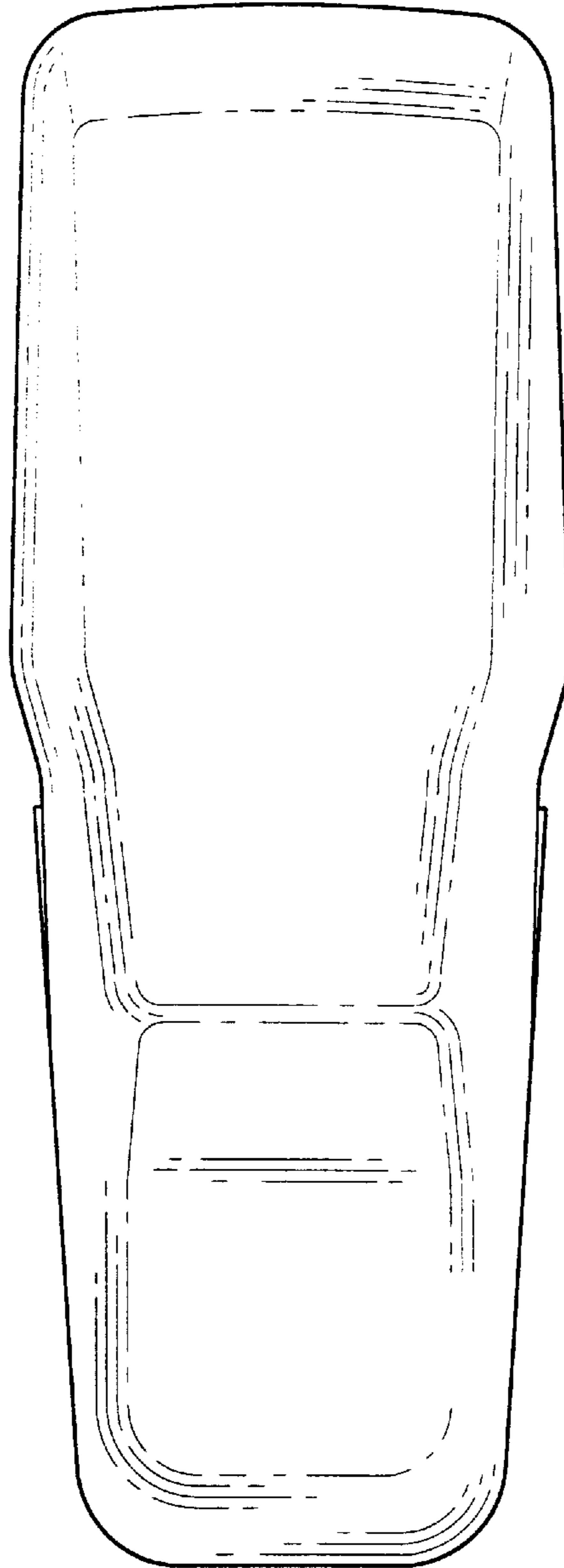


*Fig. 7*

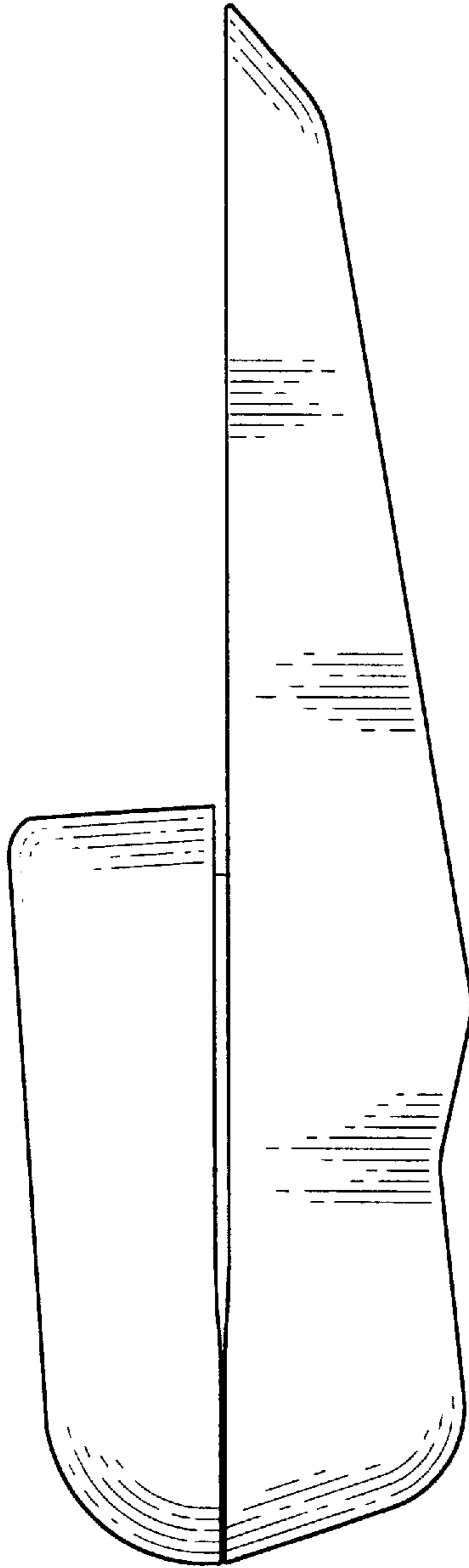


*Fig. 8*

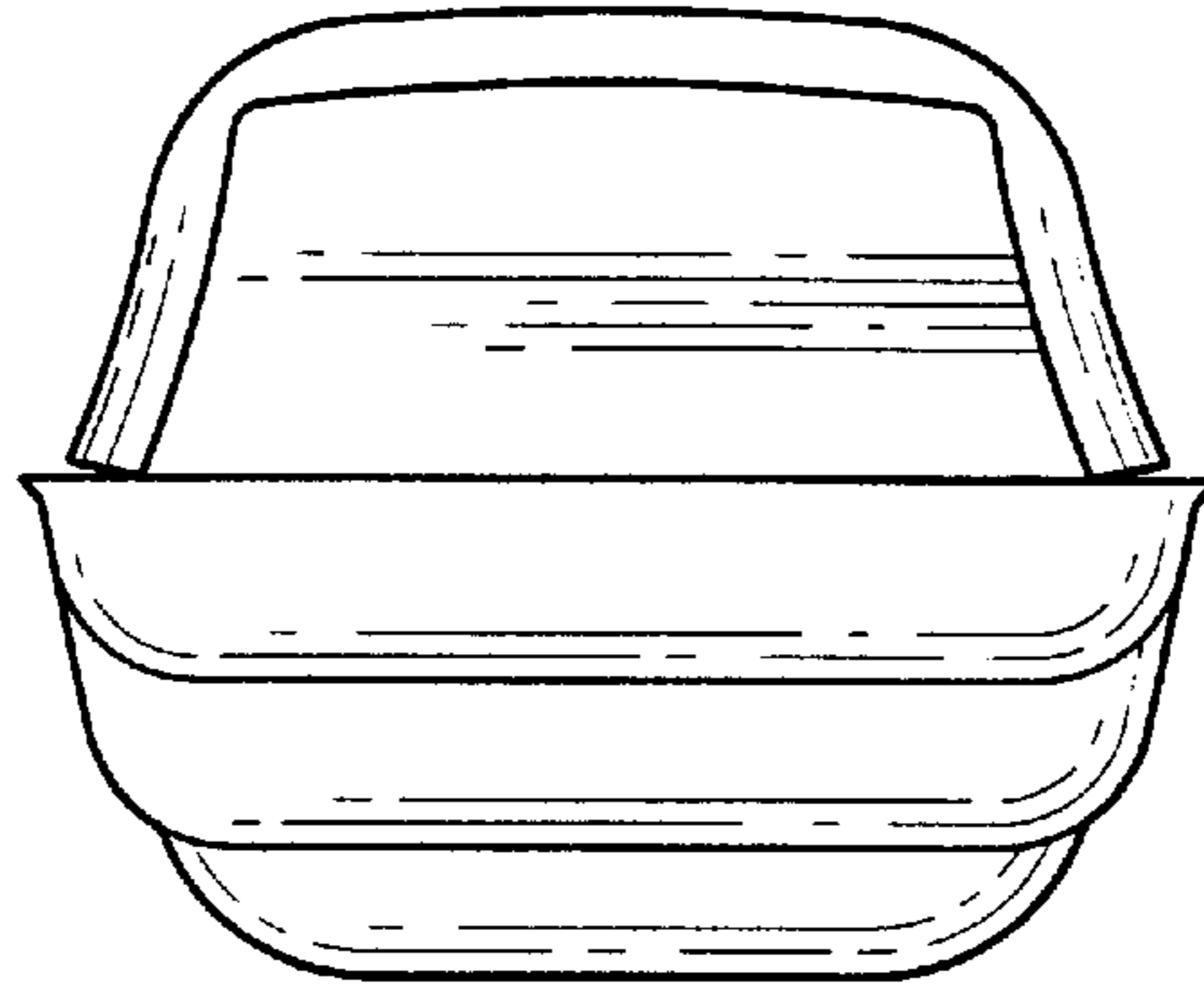




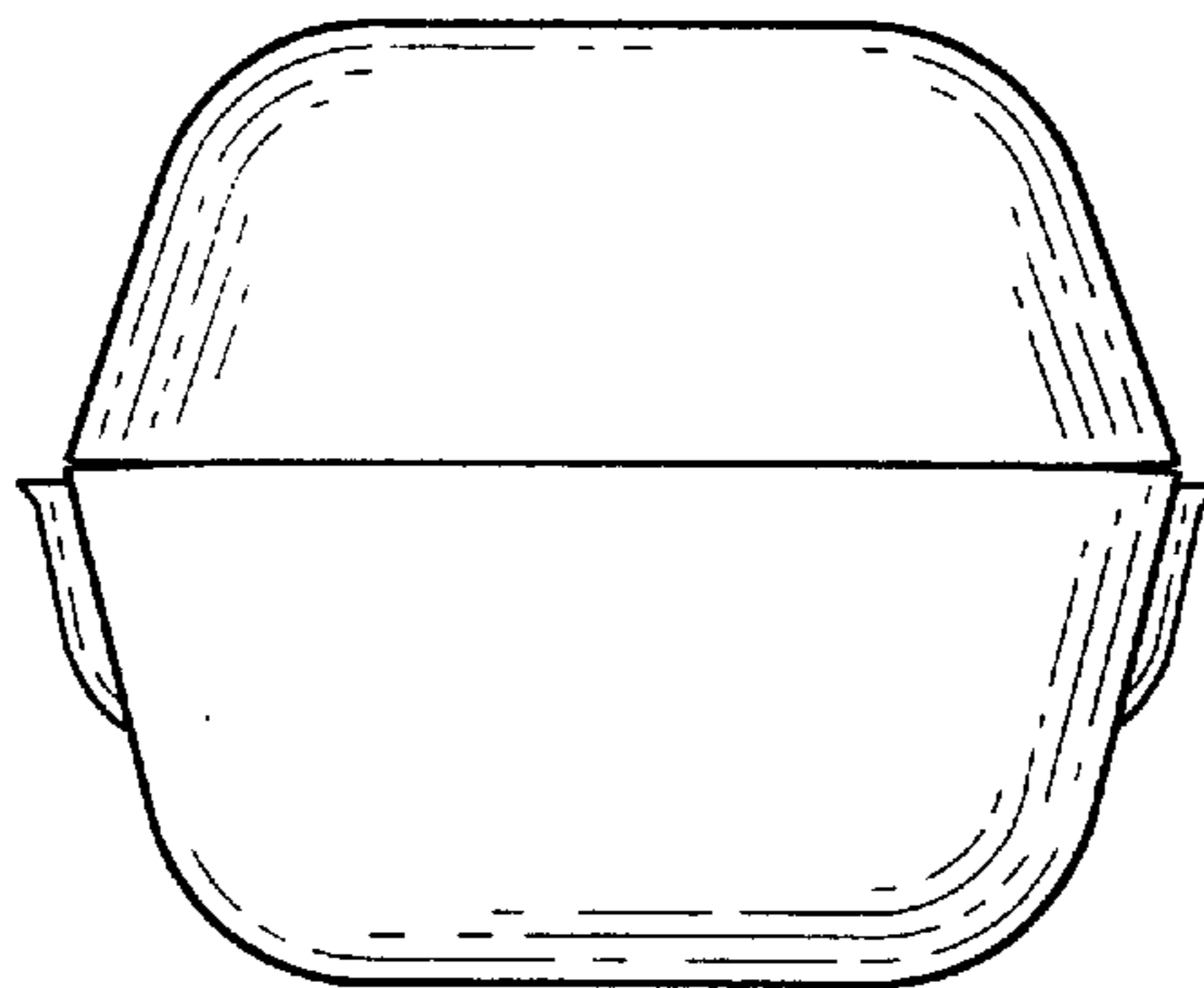
*Fig. 9*



*Fig. 10*



*Fig. 11*



*Fig. 12*