



US00D405253S

**United States Patent** [19]  
**Simpson**

[11] **Patent Number: Des. 405,253**

[45] **Date of Patent: \*\*Feb. 9, 1999**

[54] **DISHWARE PROTECTION DEVICE**

[76] Inventor: **Gerald A. Simpson**, 1398 Lincoln Pl.,  
Brooklyn, N.Y. 11213

[\*\*] Term: **14 Years**

[21] Appl. No.: **84,895**

[22] Filed: **Mar. 12, 1998**

[51] **LOC (6) Cl.** ..... **03-01**

[52] **U.S. Cl.** ..... **D3/201**

[58] **Field of Search** ..... D7/601, 629, 387,  
D7/213; D9/414, 420, 423, 424, 432; D32/35,  
55, 58; D3/201, 273

[56] **References Cited**

**U.S. PATENT DOCUMENTS**

D. 211,007 5/1968 Braun ..... D9/420  
D. 365,023 12/1995 Abrams et al. .... D9/423  
D. 394,924 6/1998 Julien ..... D32/55

**OTHER PUBLICATIONS**

Lillian Vernon Catalog, p. 63, Dishware Storage Packs  
K-M, Jan. 22, 1996.

*Primary Examiner*—Terry A. Wallace

[57] **CLAIM**

The ornamental design for a dishware protection device, as shown.

**DESCRIPTION**

FIG. 1 is a left side elevational view of the dishware protection device of the present design;

FIG. 2 is a right side elevational view of the dishware protection device of FIG. 1;

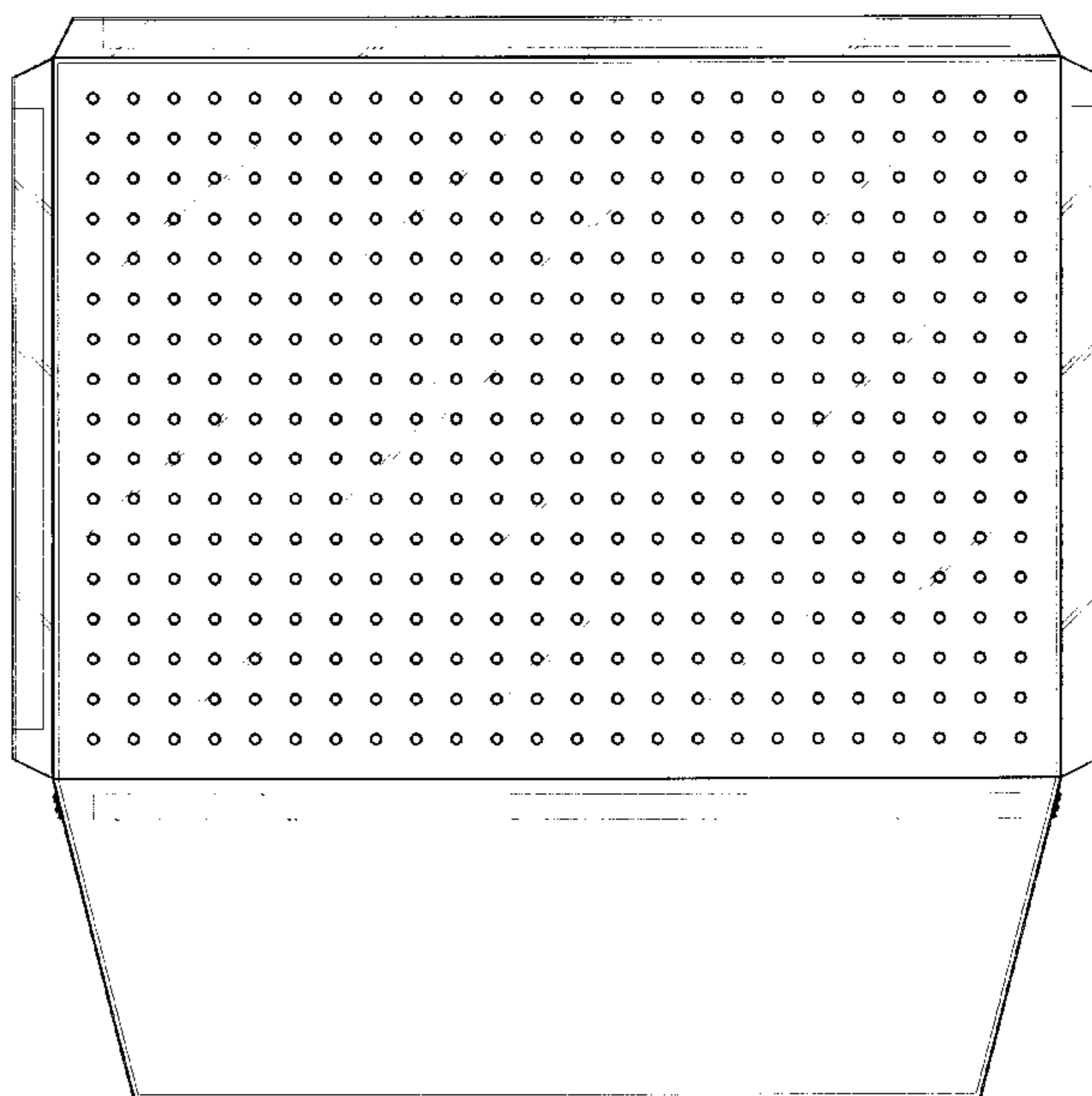
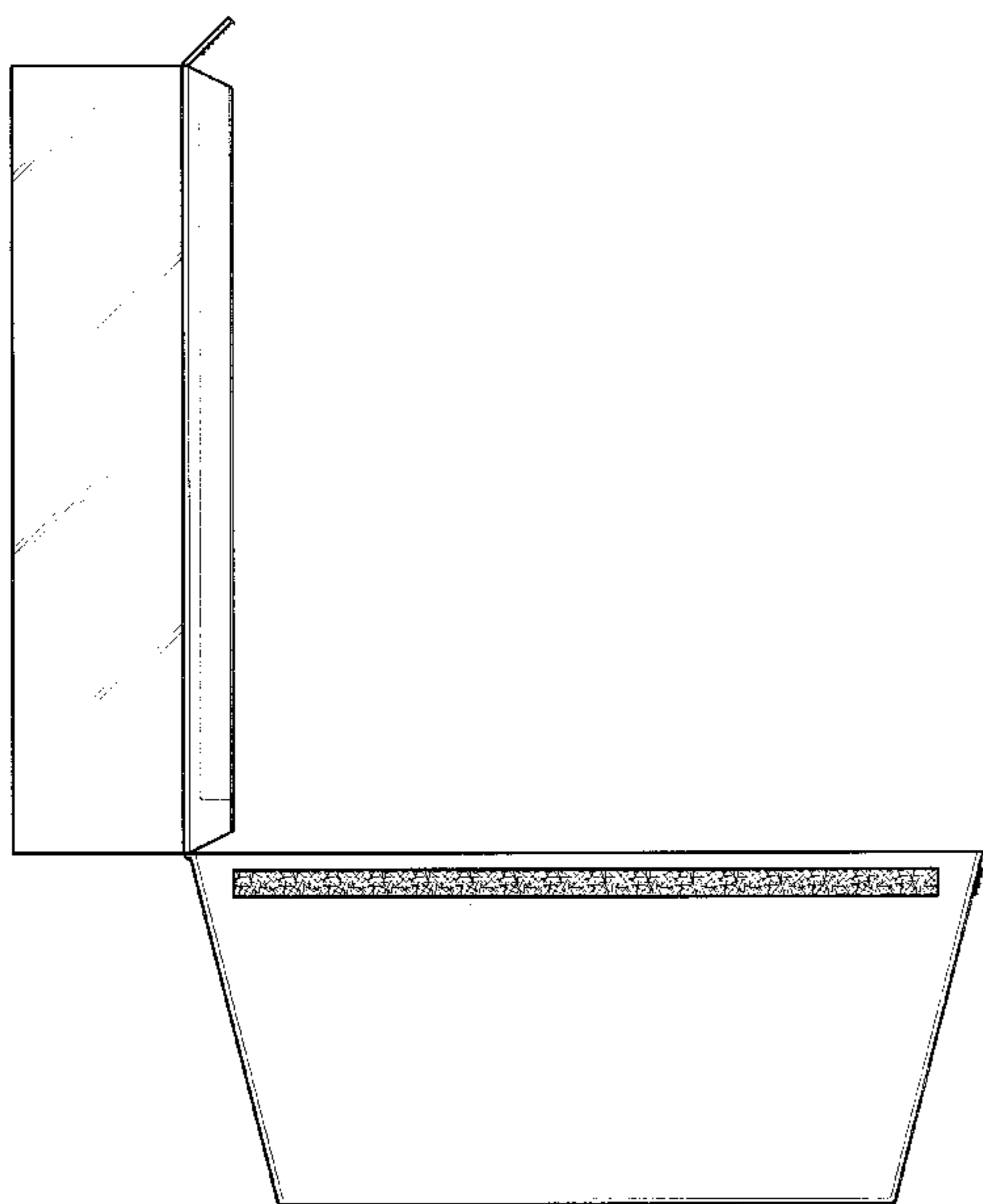
FIG. 3 is a back elevational view of the dishware protection device of FIG. 1;

FIG. 4 is a front elevational view of the dishware protection device of FIG. 1;

FIG. 5 is a top plan view of the dishware protection device of FIG. 1; and,

FIG. 6 is a bottom plan view of the dishware protection device of FIG. 1.

**1 Claim, 4 Drawing Sheets**



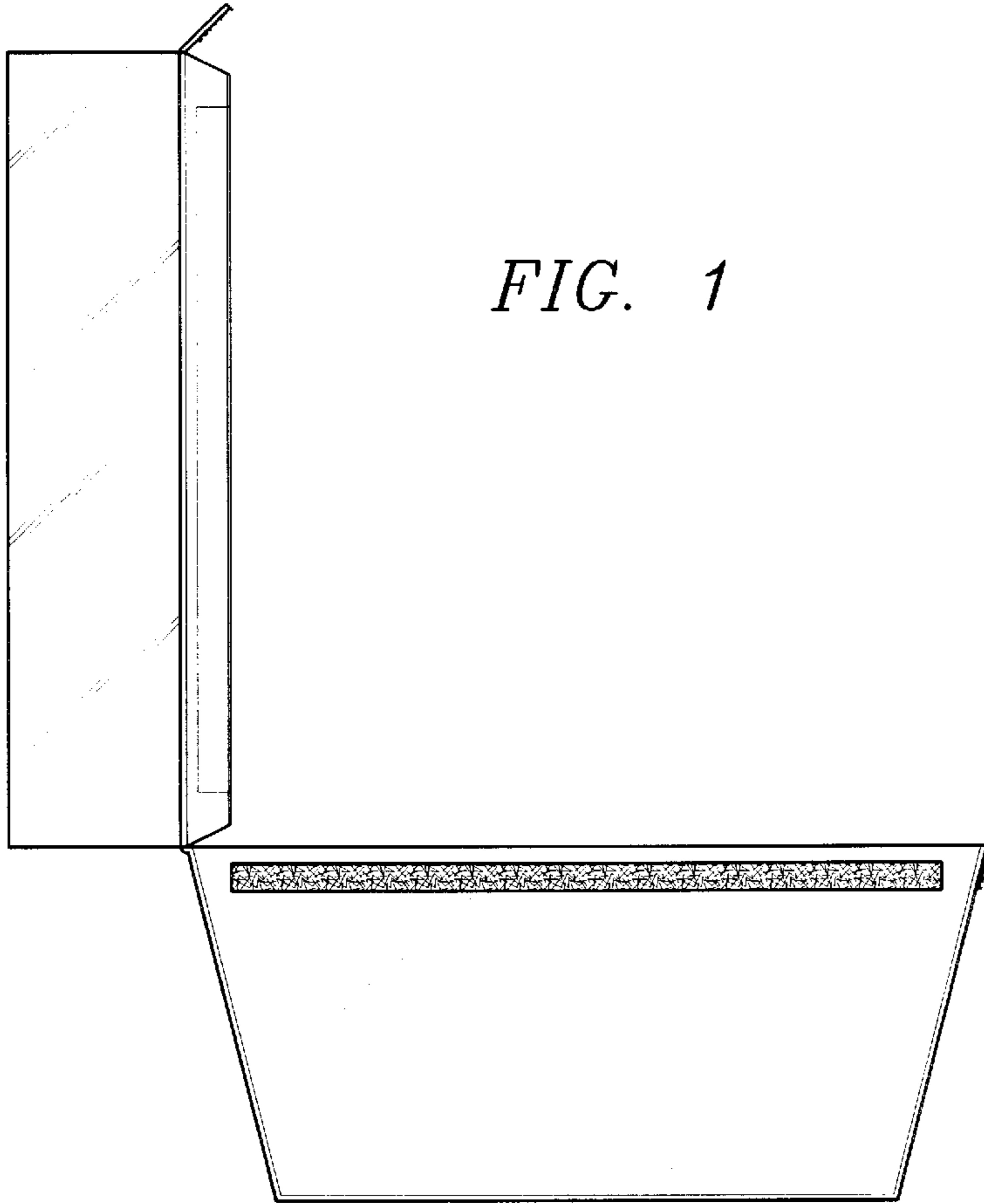


FIG. 1

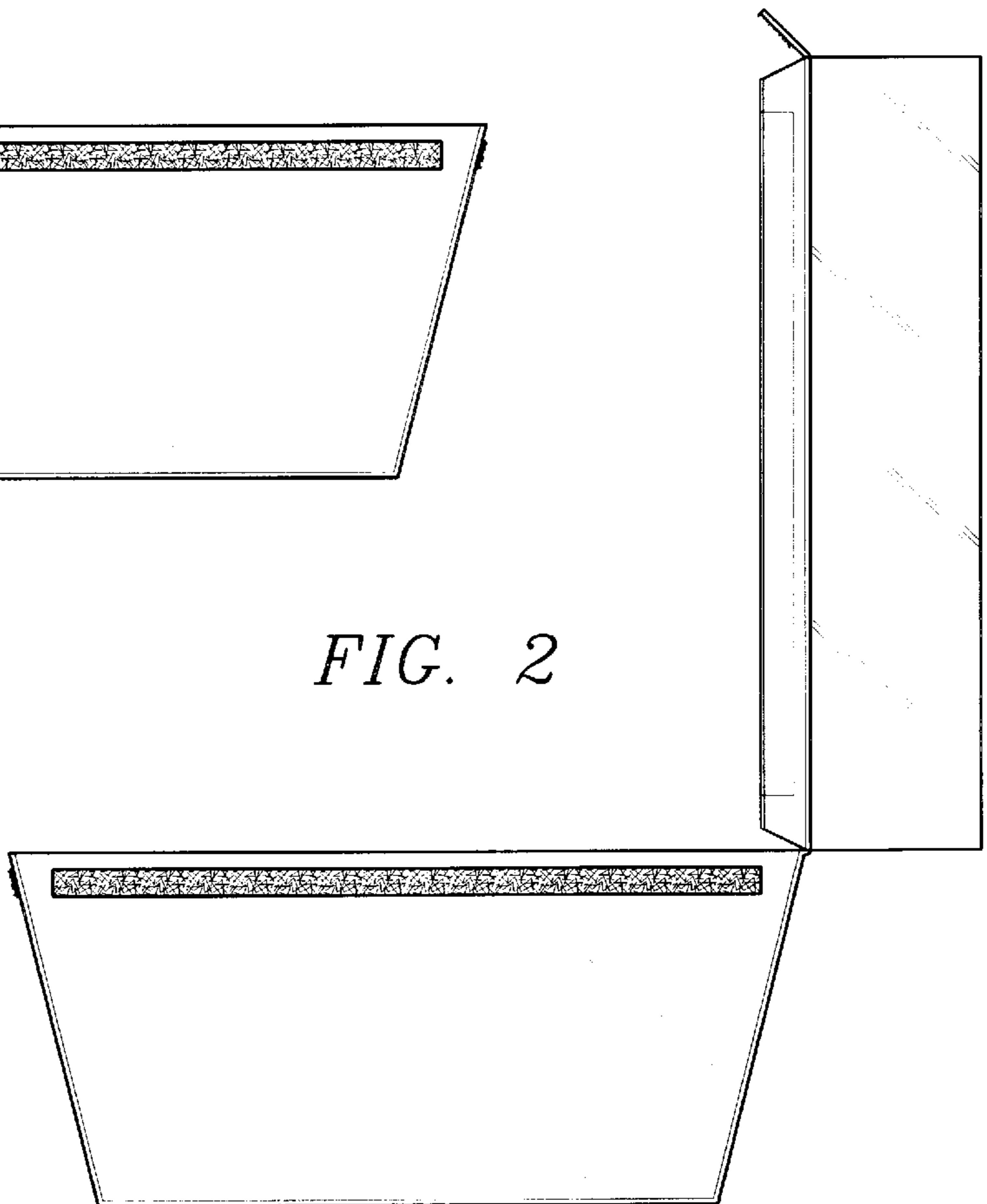


FIG. 2

FIG. 3

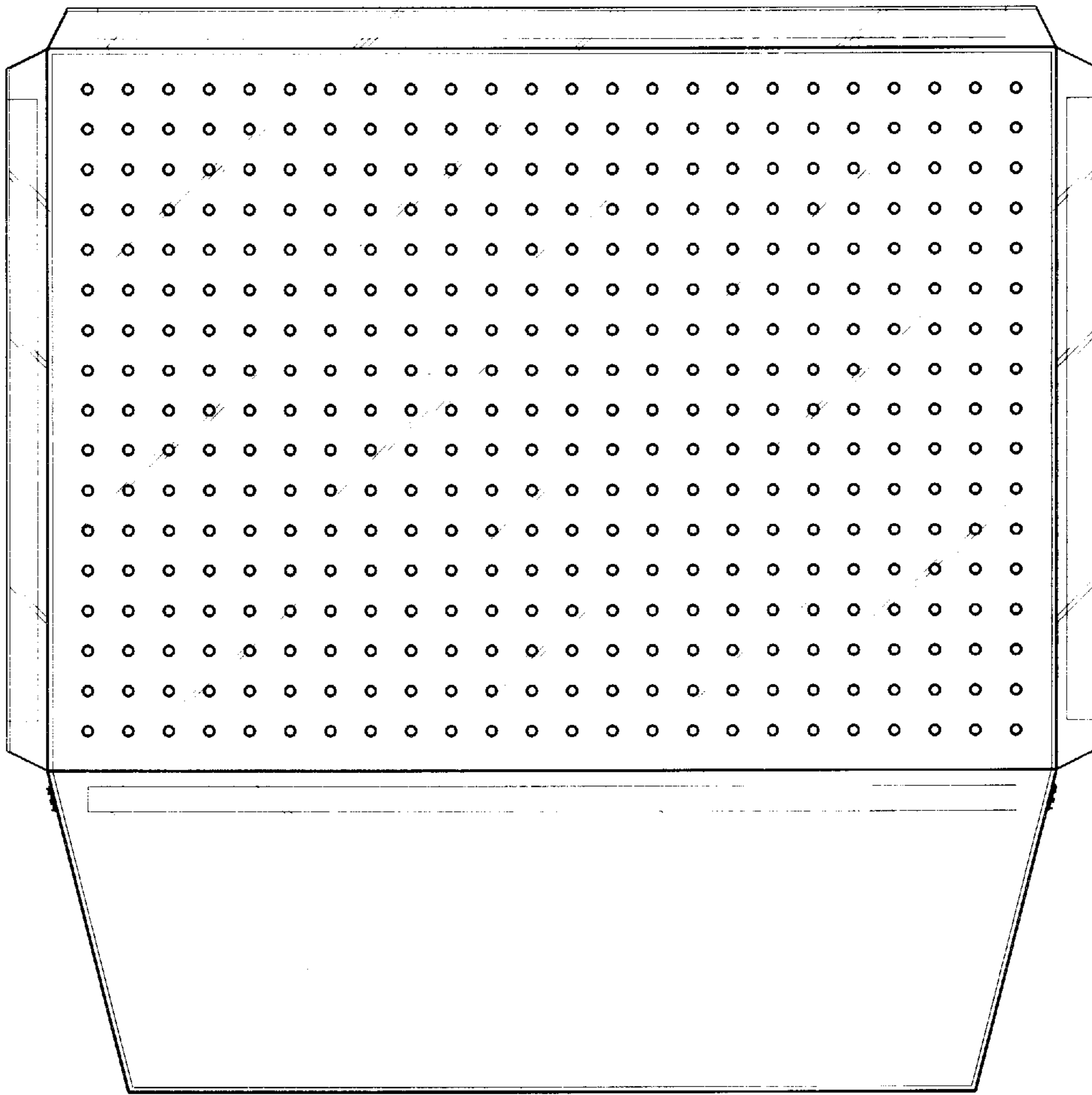


FIG. 4

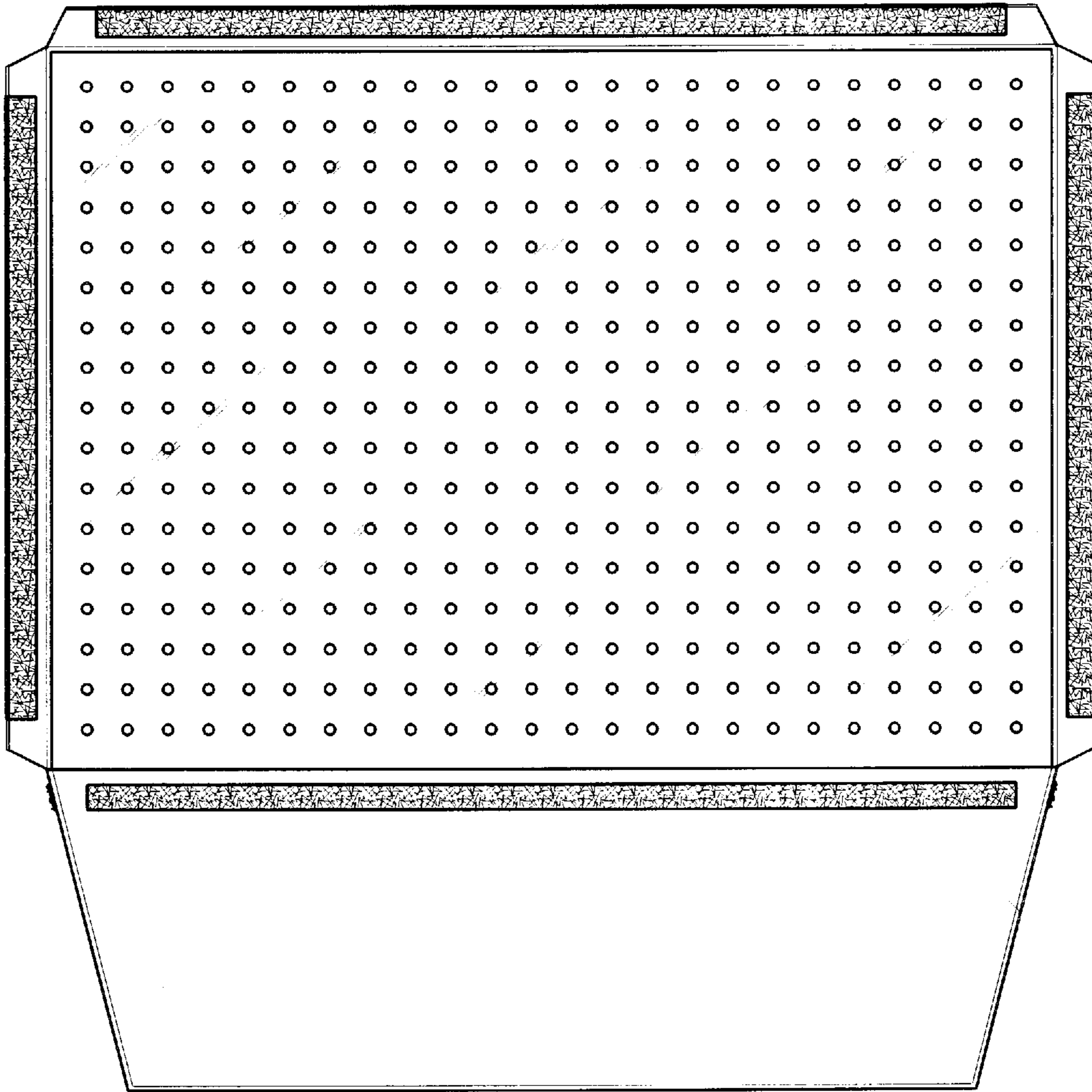


FIG. 6

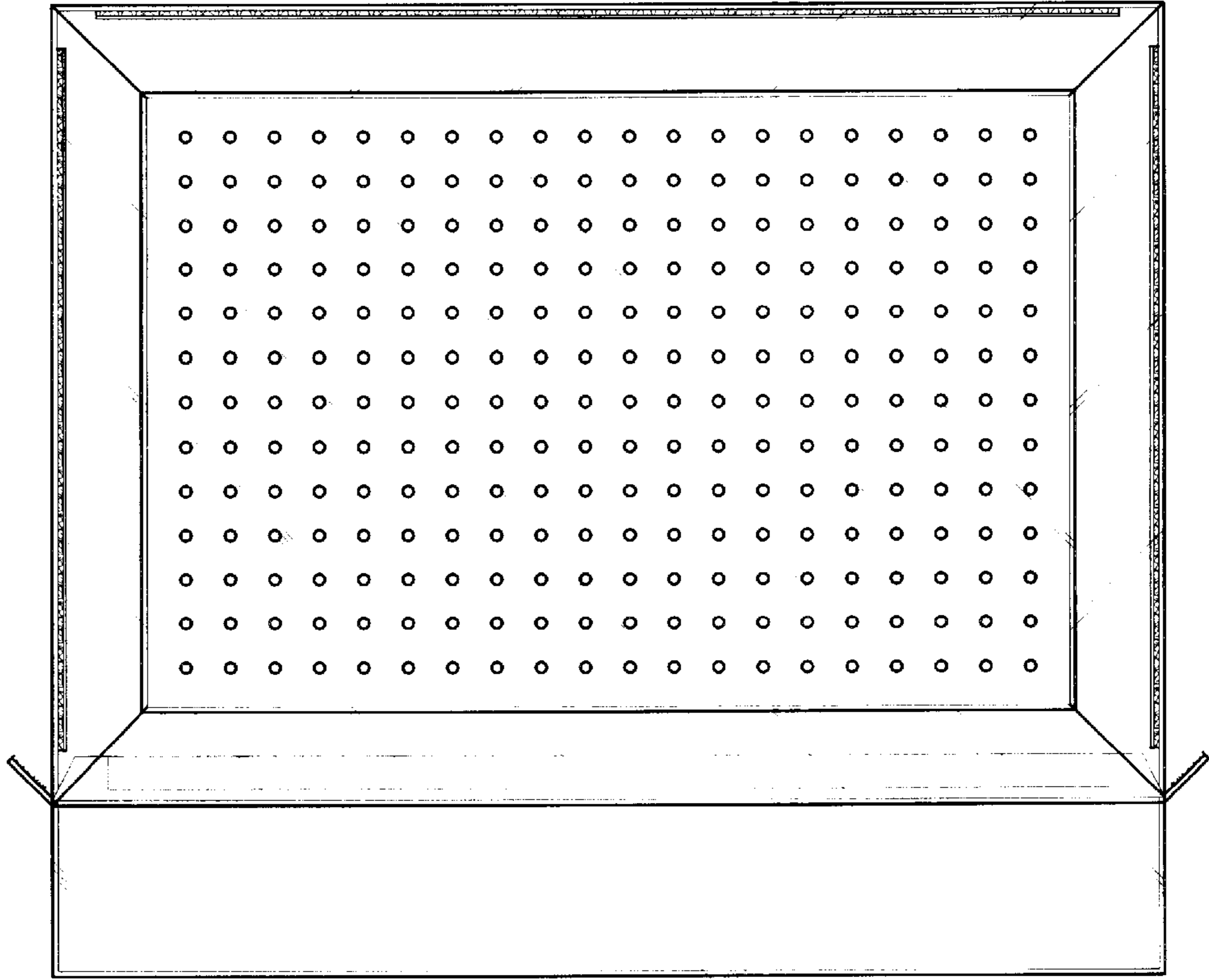


FIG. 5

