



US00D405252S

# United States Patent [19]

[11] **Patent Number: Des. 405,252**

**Au**

[45] **Date of Patent: \*\*Feb. 9, 1999**

[54] **CONTAINER FOR WATCHES, JEWELRY, GLASSES, AND PEN**

[57] **CLAIM**

[76] Inventor: **Ho Ching Au**, Blk. A, 9/F., Goodview Ind. Bldg., Kin Fat St., Tuen Mun, N.T., Hong Kong

The ornamental design for a container for watches, jewelry, glasses, and pen, as shown.

[\*\*] Term: **14 Years**

### DESCRIPTION

[21] Appl. No.: **80,565**

FIG. 1 is a perspective view showing my new design;

[22] Filed: **Dec. 5, 1997**

FIG. 2 is a front view thereof;

[51] **LOC (6) Cl.** ..... **03-01**

FIG. 3 is a left end view thereof;

[52] **U.S. Cl.** ..... **D3/201; D3/206; D3/303**

FIG. 4 is a right end view thereof;

[58] **Field of Search** ..... **D3/206, 303, 242; 150/106, 112, 119, 120; 190/102, 108, 112, 122, 901; 206/6, 301, 356**

FIG. 5 is a top view thereof;

FIG. 6 is a bottom view thereof;

FIG. 7 is a rear view thereof;

### [56] **References Cited**

FIG. 8 is a perspective view thereof, illustrating the container for watches, jewelry, glasses and pen of my design in open condition;

#### U.S. PATENT DOCUMENTS

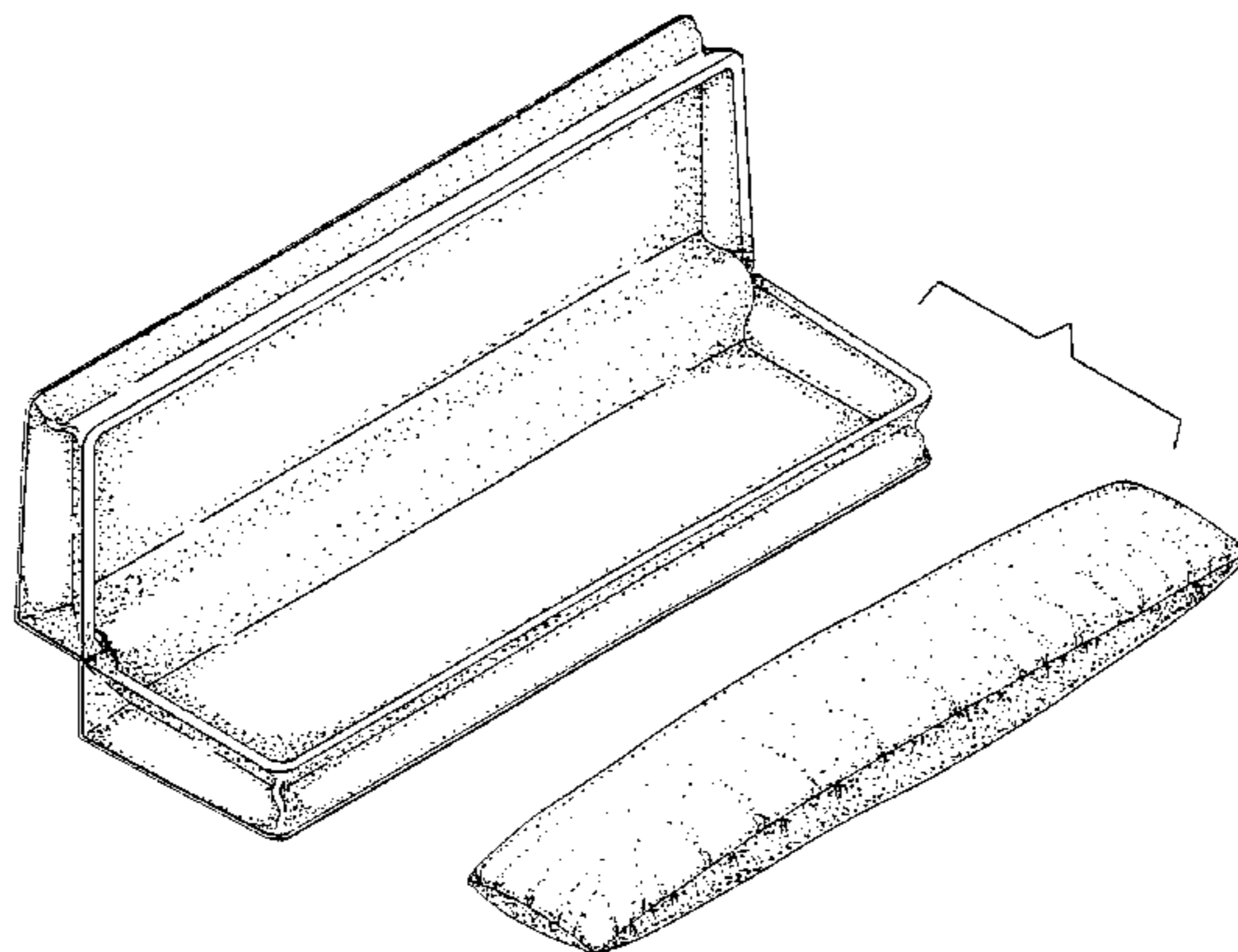
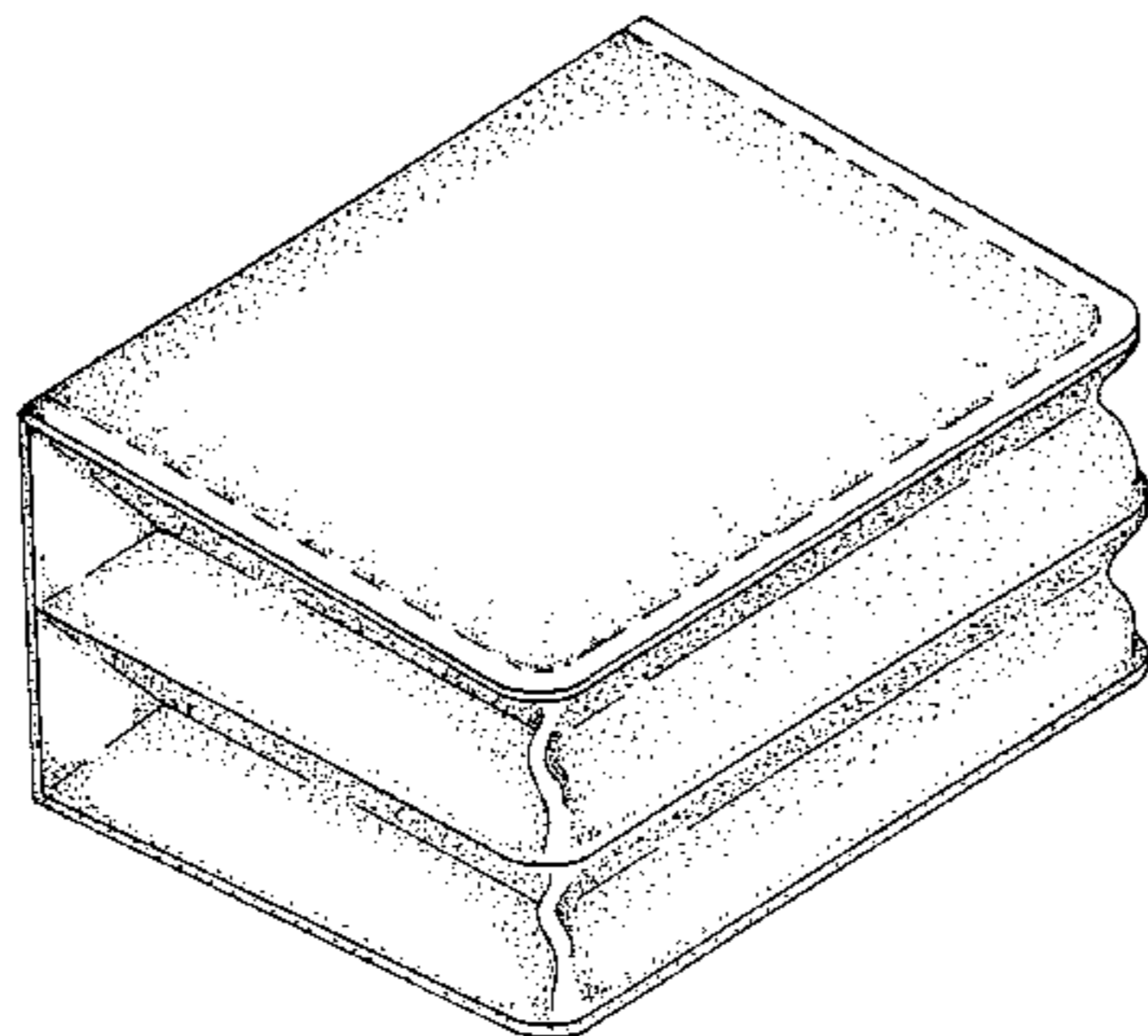
D. 167,939	10/1952	Grossman	.....	D3/242
1,615,324	1/1927	Bulova	.....	206/301
1,752,246	3/1930	Flier	.....	206/301
1,789,852	1/1931	Warner	.....	206/301
2,620,084	2/1952	Prew	.....	190/901
3,899,072	8/1975	Reinhart	.....	206/351
4,569,082	2/1986	Ainsworth et al.	.....	150/106

FIG. 9 is a perspective view of a second embodiment thereof, wherein this embodiment differs from the first embodiment by elongating the length for glasses and pen; and,

FIG. 10 is a perspective view of FIG. 9, illustrating the container for watches, jewelry, glasses, and pen of my design in open condition.

*Primary Examiner*—Louis S. Zarfaz  
*Assistant Examiner*—Monica A. Weigart  
*Attorney, Agent, or Firm*—David & Raymond; Raymond Y. Chan

**1 Claim, 10 Drawing Sheets**



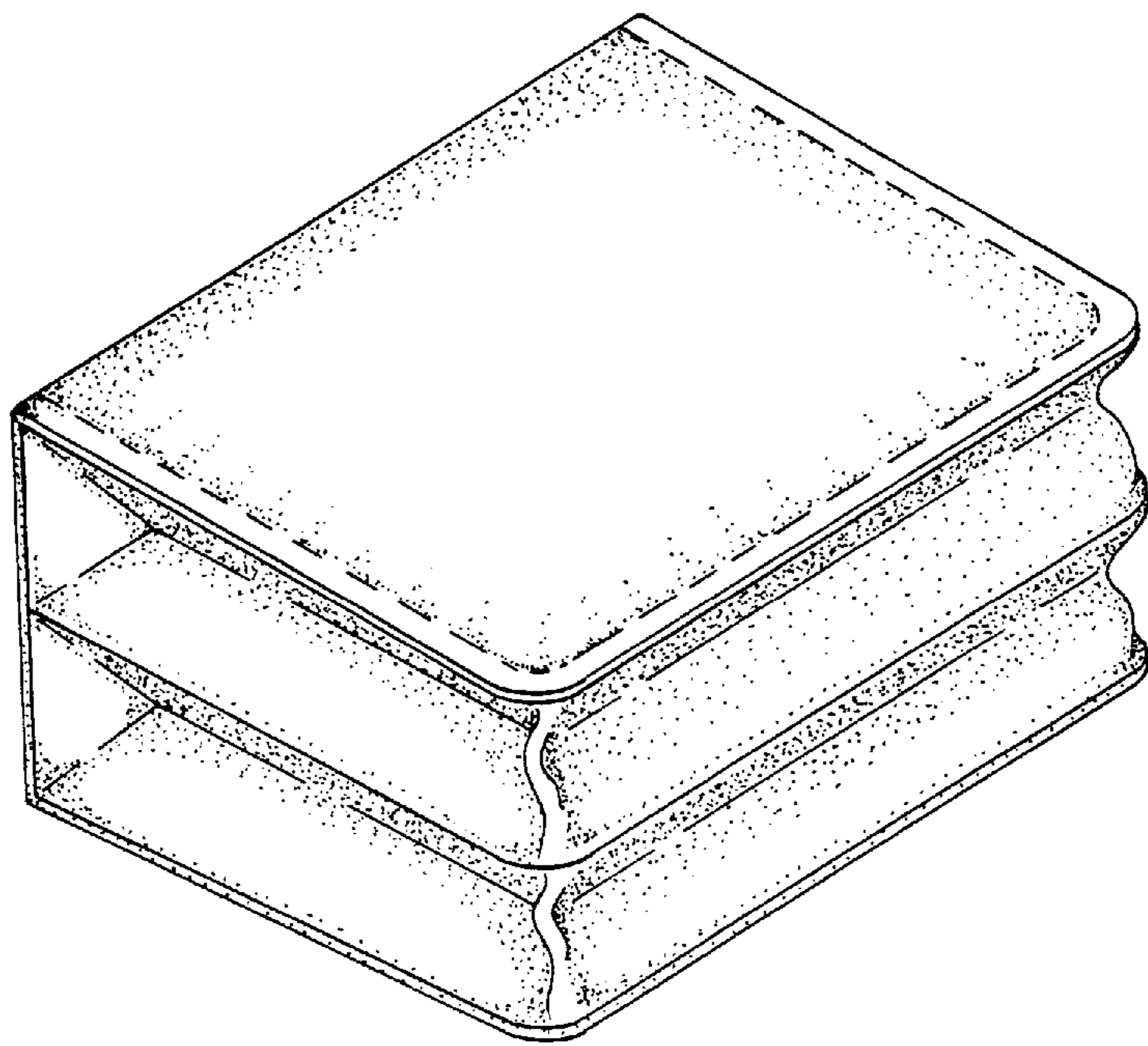


FIG. 1

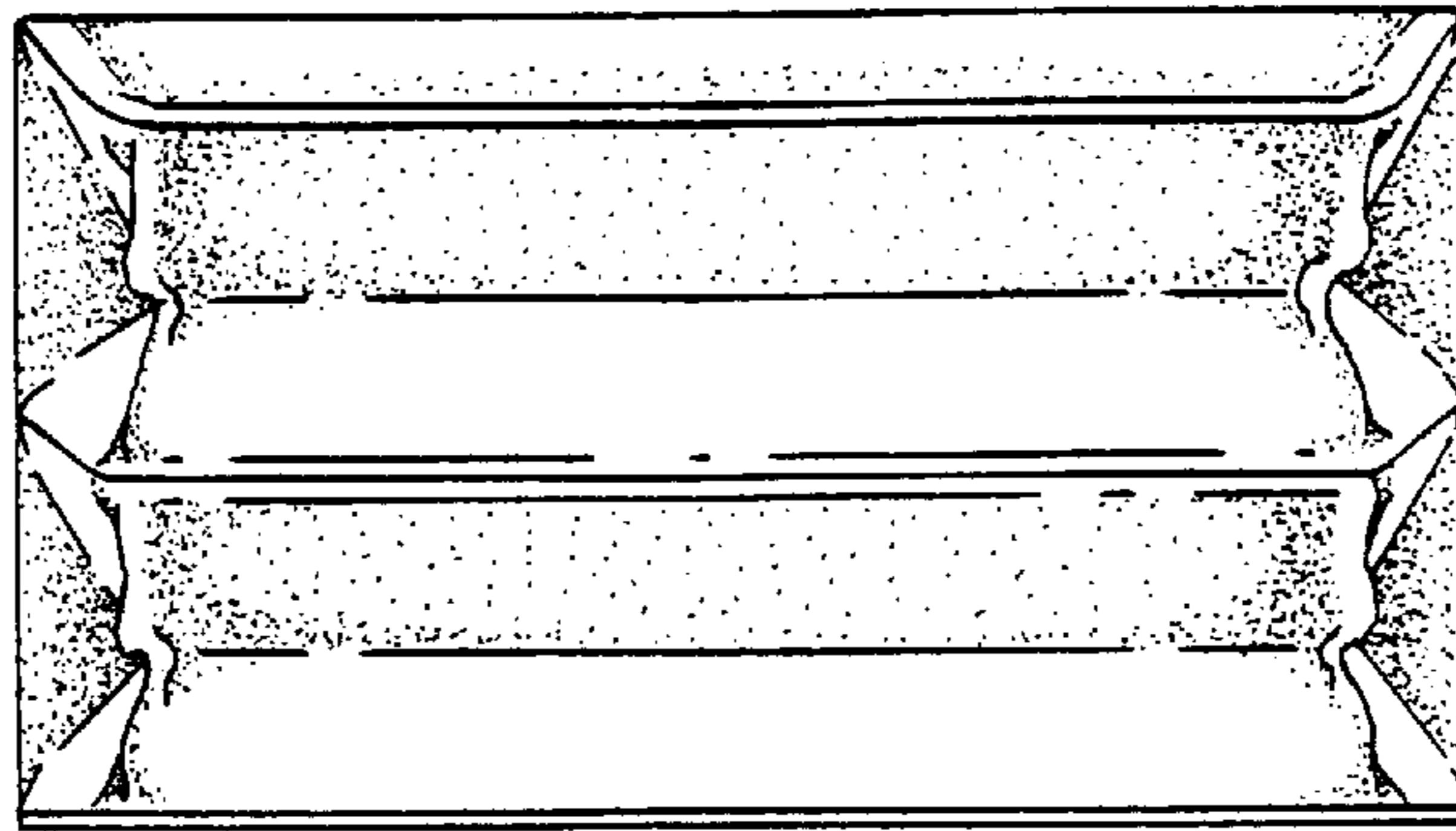


FIG. 2

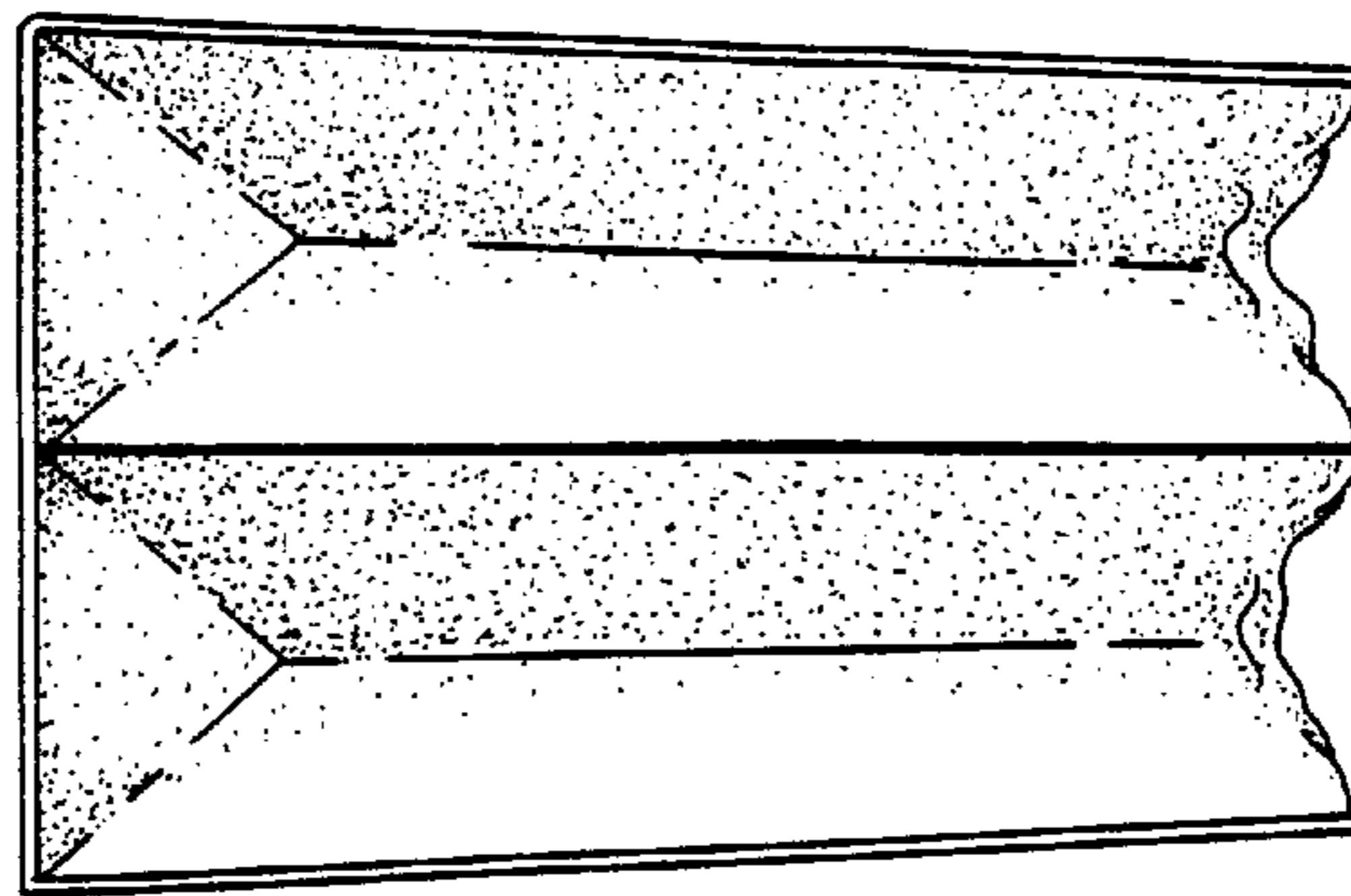


FIG. 3

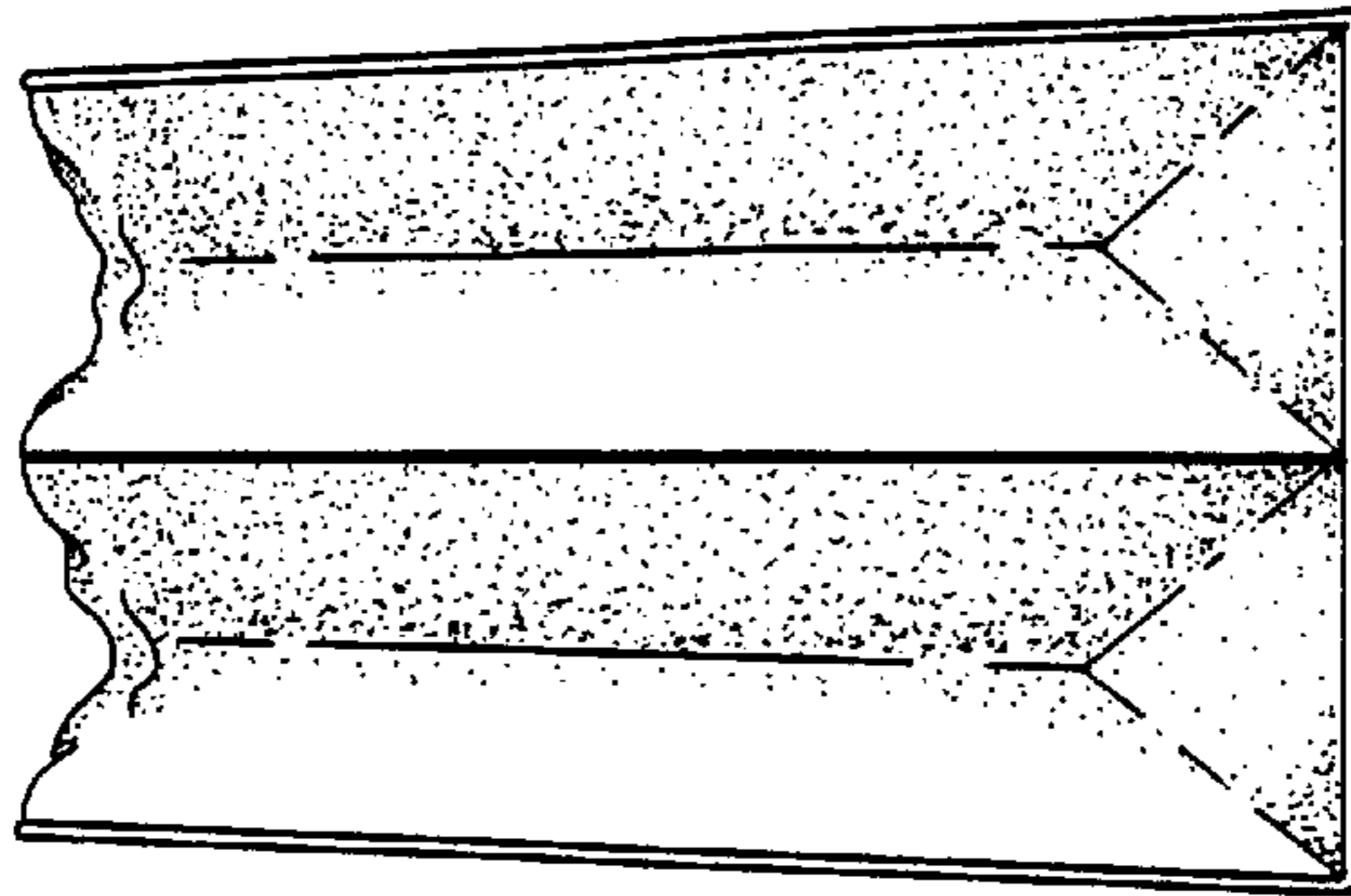


FIG. 4

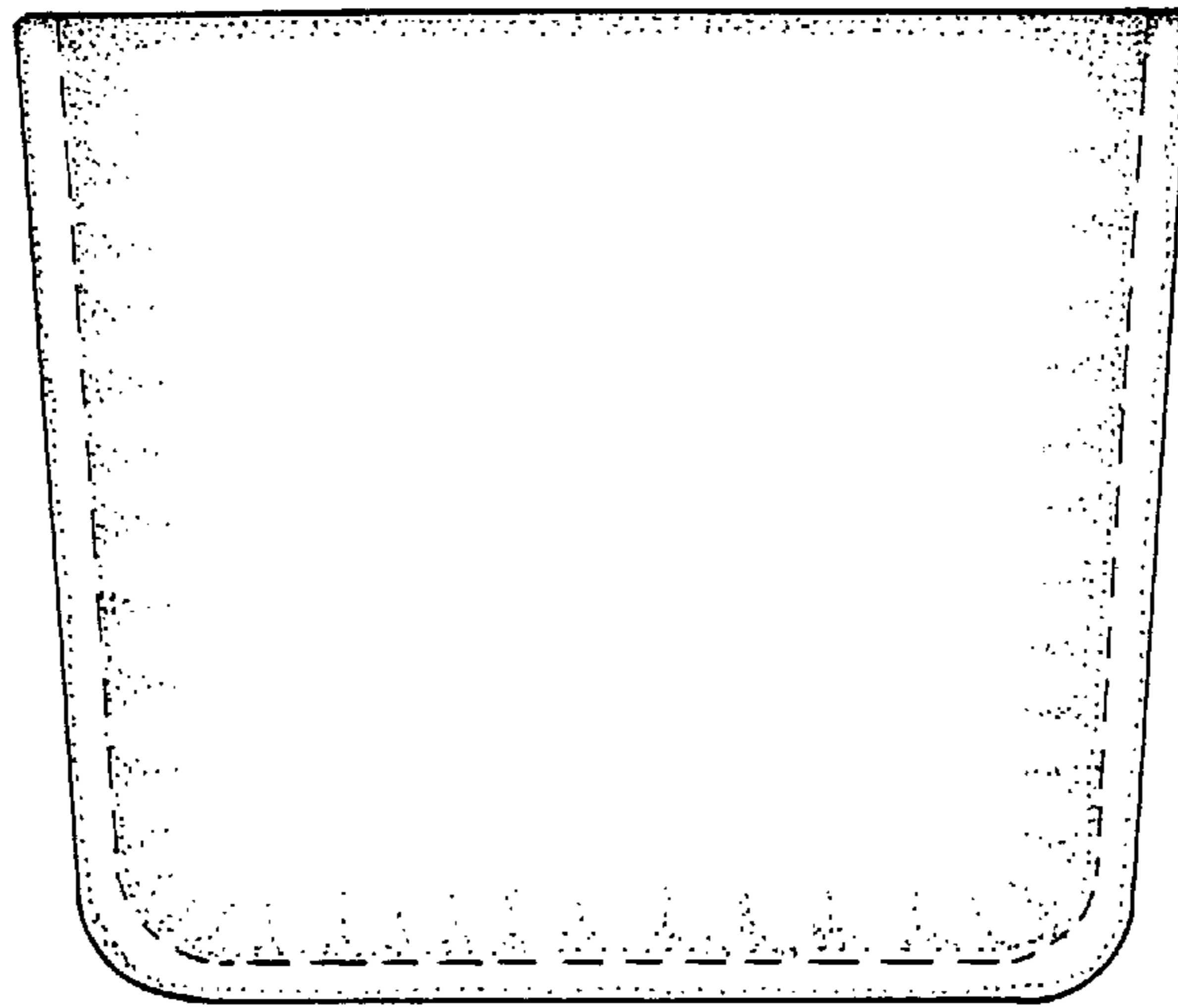


FIG. 5

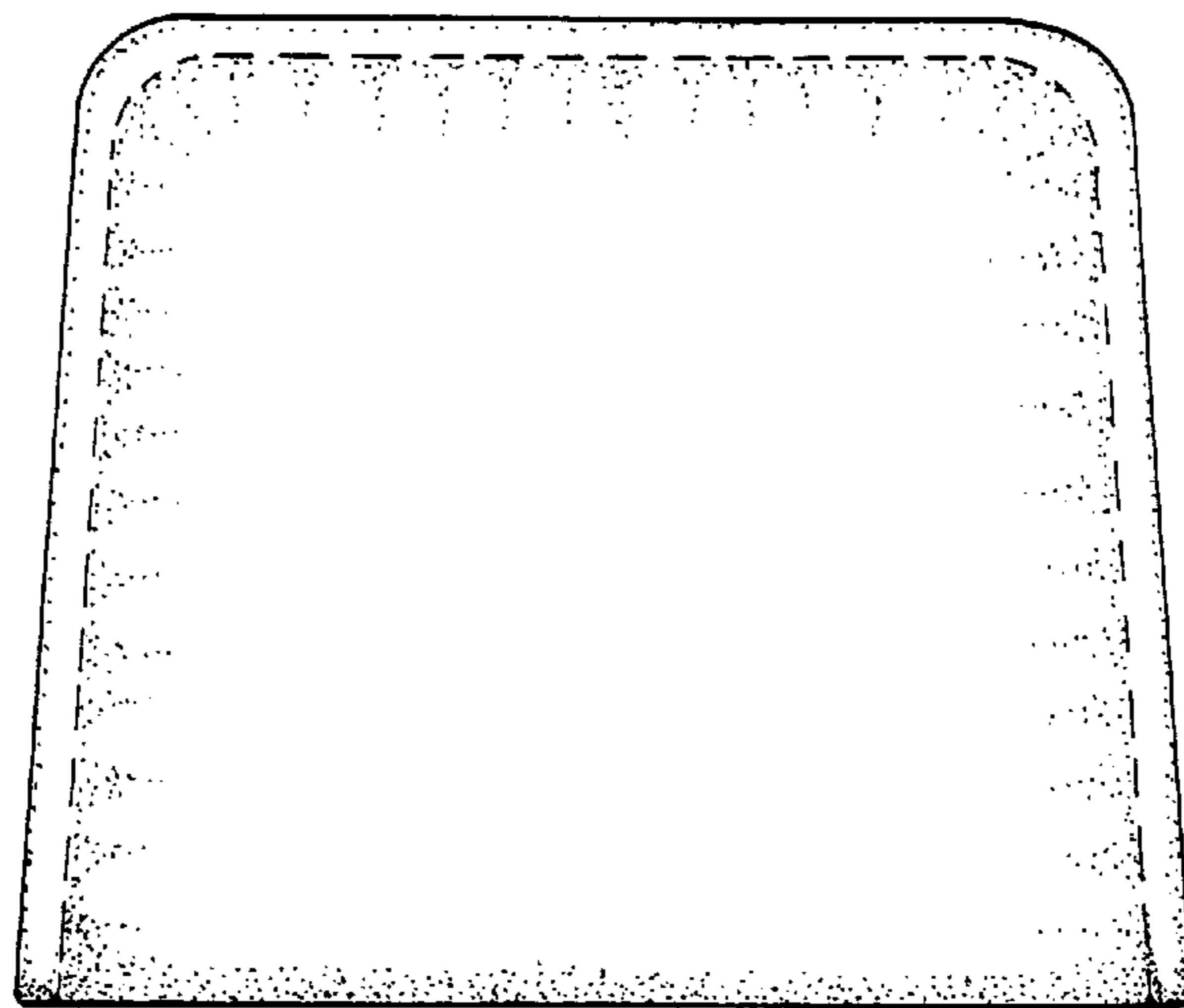


FIG. 6

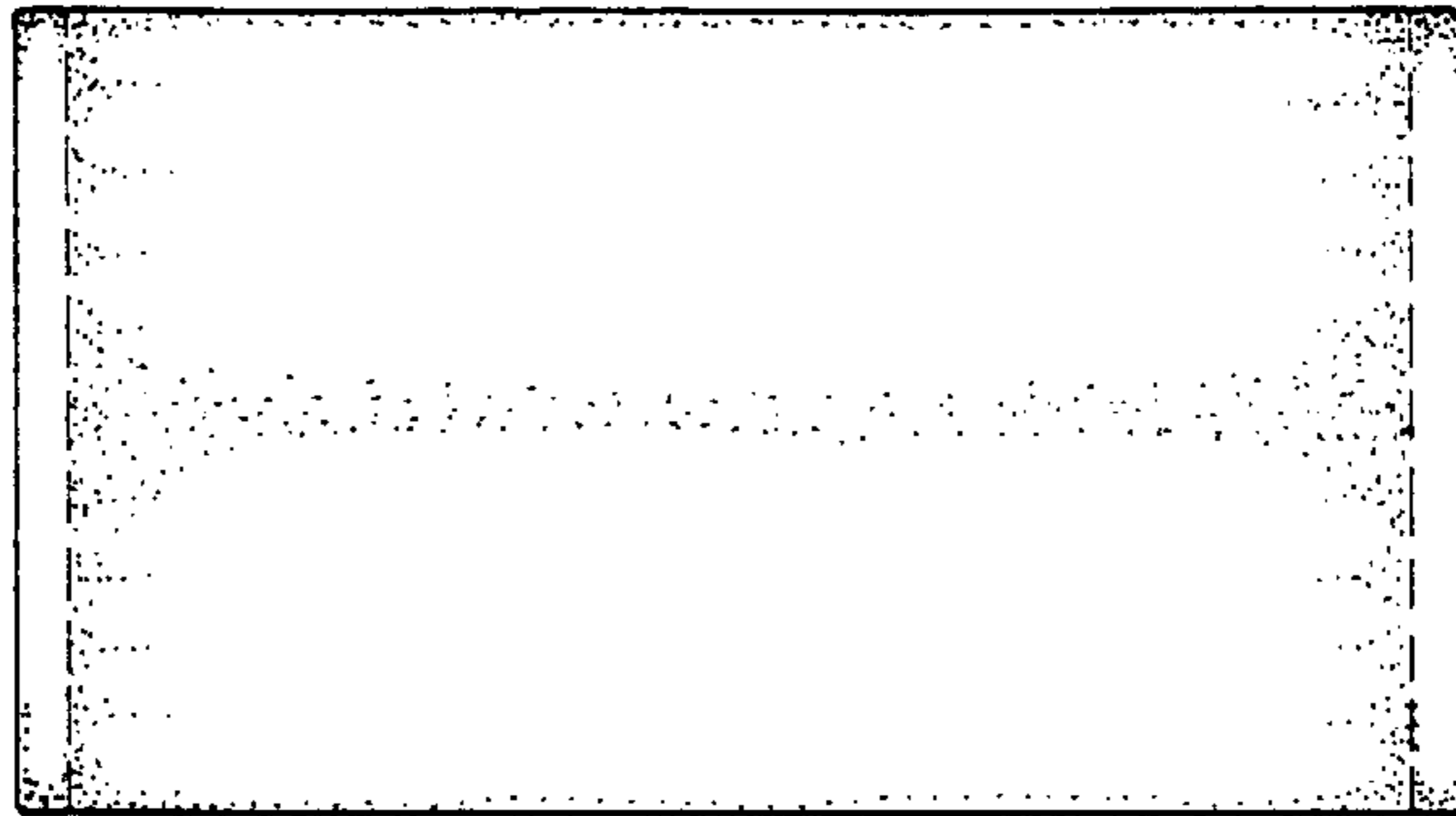


FIG. 7



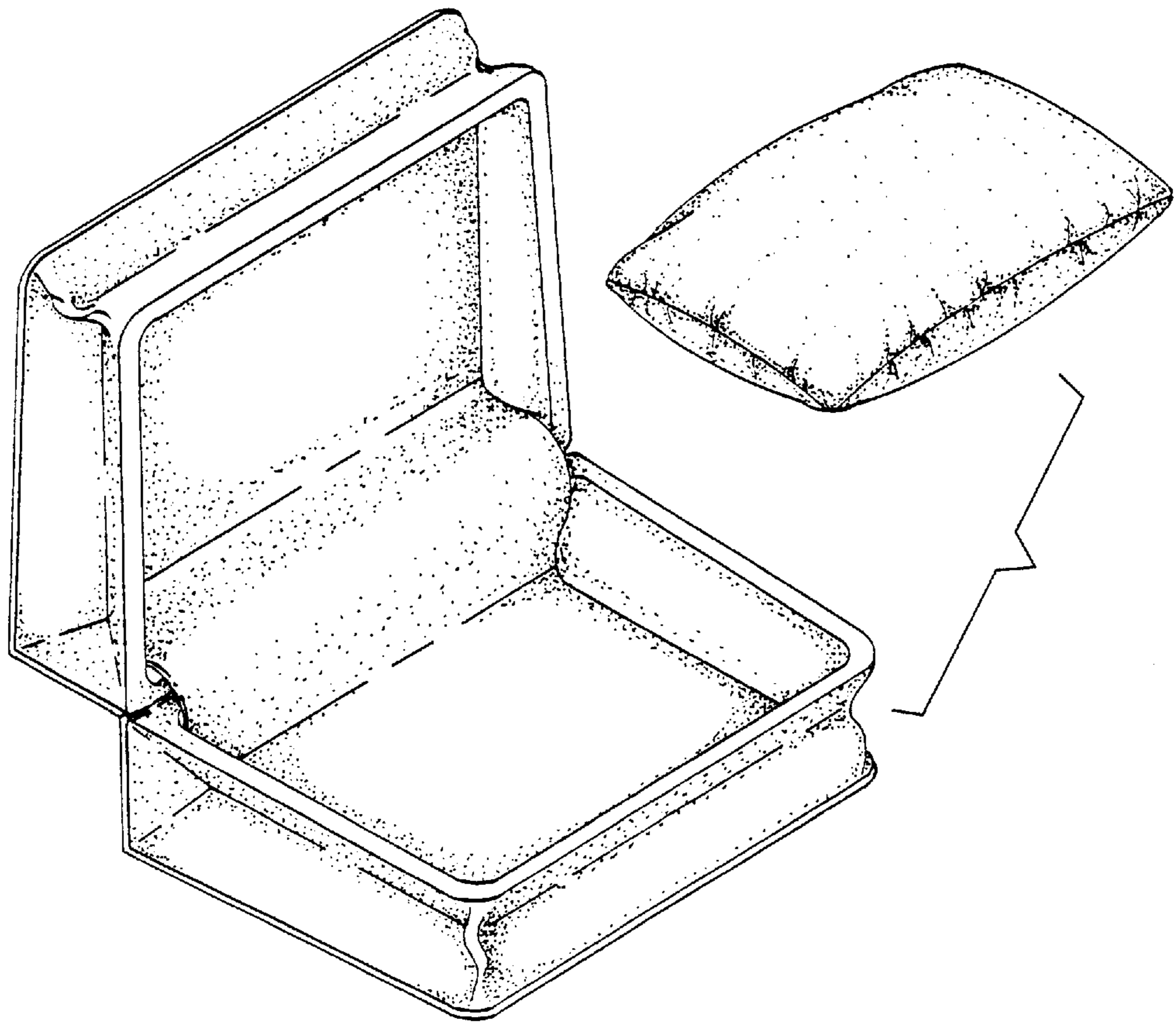


FIG. 8

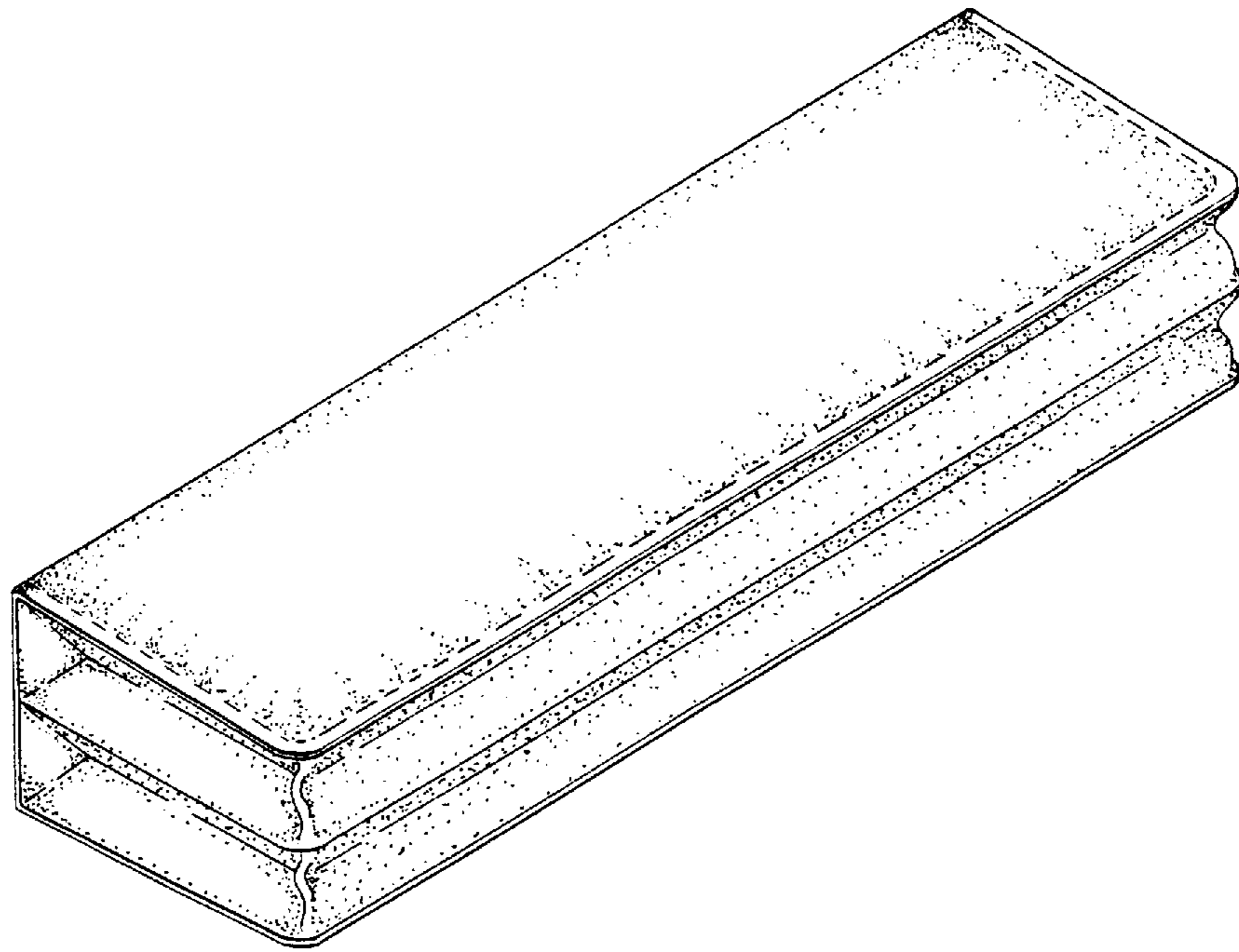


FIG. 9

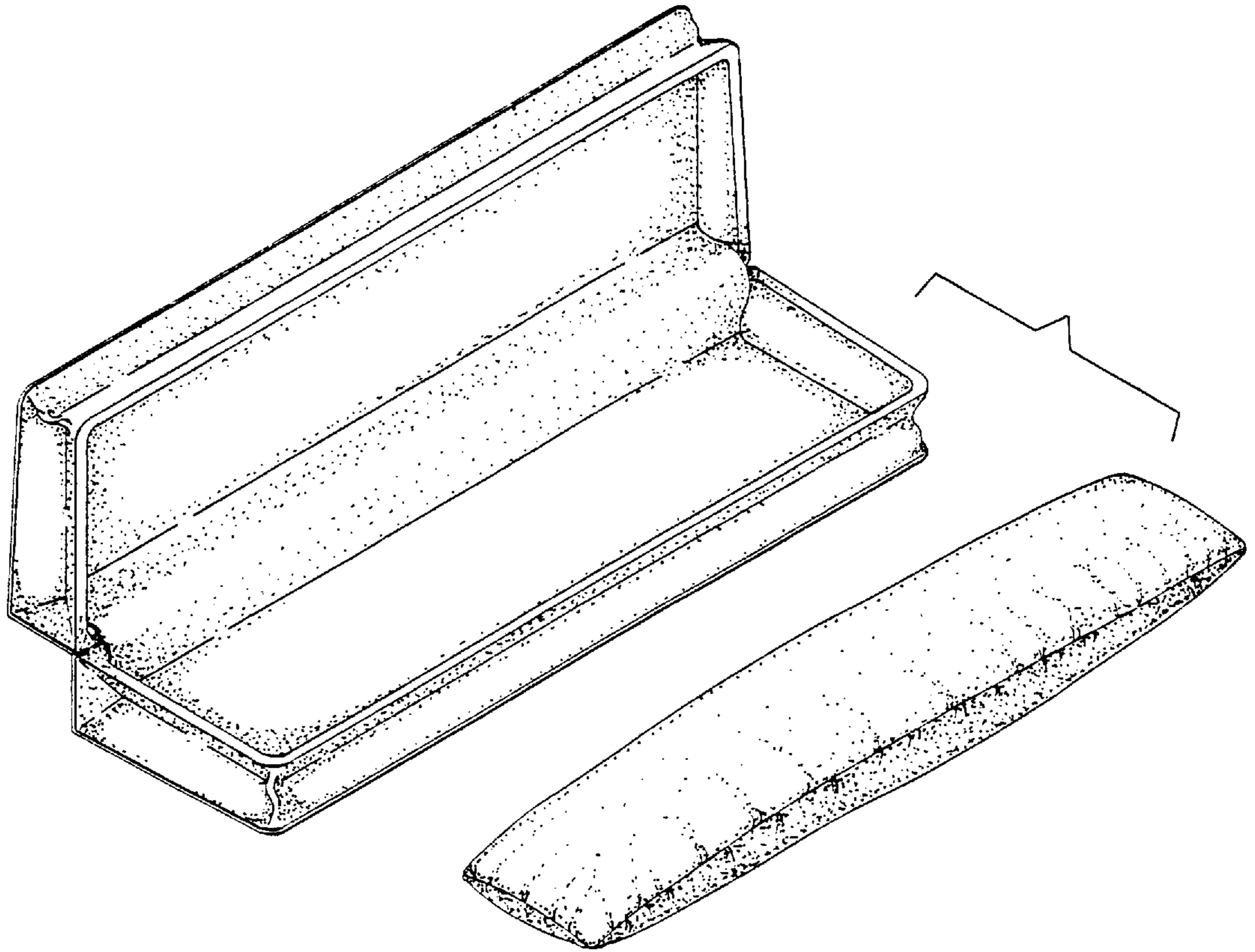


FIG. 10