



US00D405239S

United States Patent [19]

Kostinko

[11] Patent Number: **Des. 405,239**

[45] Date of Patent: ****Feb. 9, 1999**

[54] **CAP WITH PILE TYPE FASTENER
OUTLINING PANELS FOR THE
PLACEMENT OF CHANGEABLE
ATTACHABLE CAP SECTIONS**

5,359,733	11/1994	Brannon et al.	2/195.1
5,359,734	11/1994	Rathburn	2/195.1
5,437,062	8/1995	Douglas	2/195.1
5,454,120	10/1995	Rowlanos	2/195.1

[76] Inventor: **Rachel Renee Kostinko**, 6130 Sheldon,
Rochester Hills, Mich. 48306

Primary Examiner—Paula A. Mortimer

[**] Term: **14 Years**

[57] CLAIM

[21] Appl. No.: **77,927**

The ornamental design for a cap with pile type fastener outlining panels for the placement of changeable attachable cap sections, as shown and described.

[22] Filed: **Oct. 14, 1997**

DESCRIPTION

[51] **LOC (6) Cl.** **02-03**

[52] **U.S. Cl.** **D2/882**

[58] **Field of Search** D2/865, 866, 868,
D2/869, 872, 876, 879, 882, 886; 2/171,
181, 195.1, 175.4, 209.13

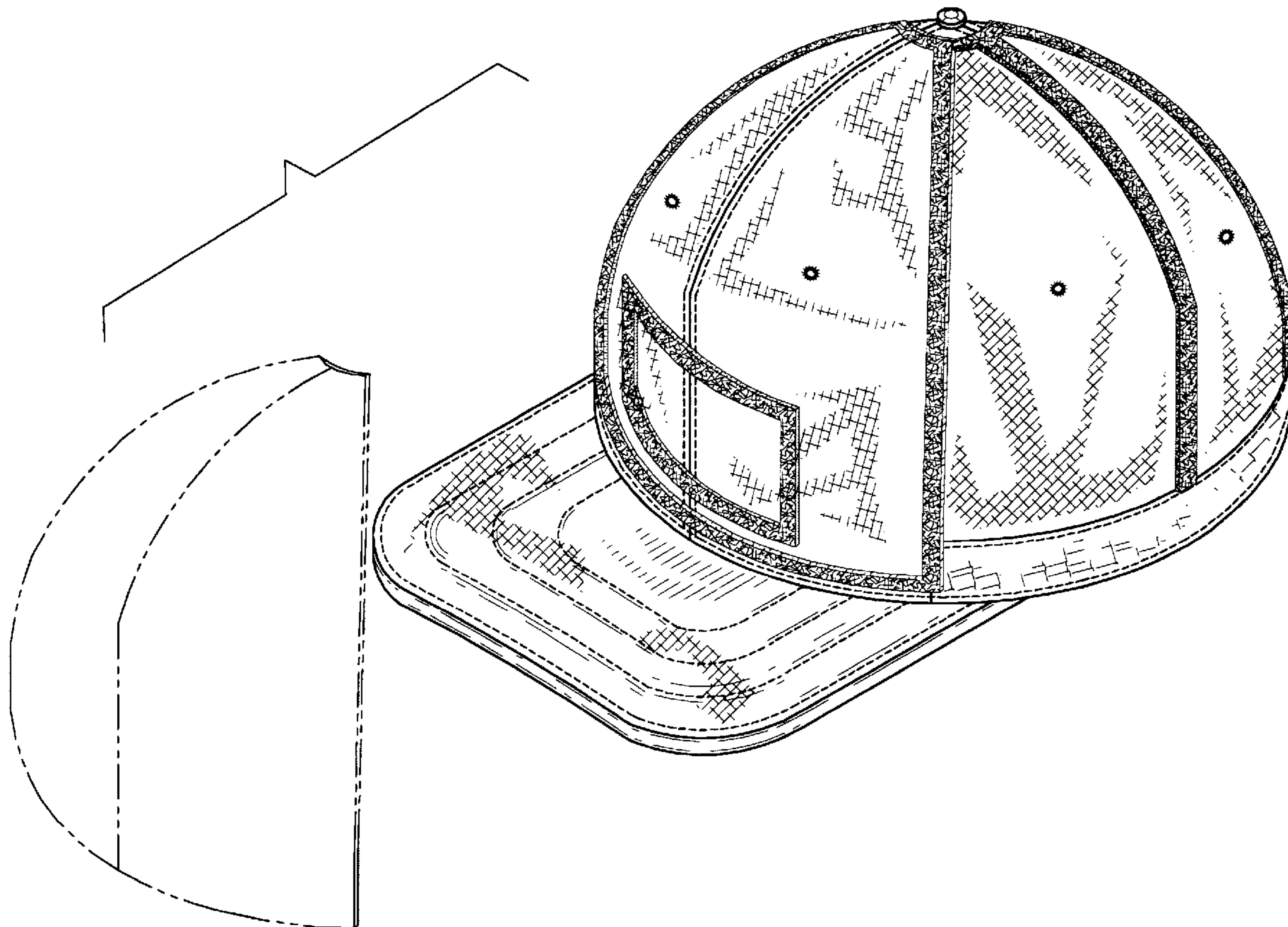
FIG. 1 is a front elevational view of the cap with pile type fastener outlining panels for the placement of changeable attachable cap sections showing my new design;
 FIG. 2 is a rear elevational view thereof;
 FIG. 3 is a right side view thereof;
 FIG. 4 is a left side view thereof;
 FIG. 5 is a top plan view thereof;
 FIG. 6 is a bottom plan view thereof; and,
 FIG. 7 is an exploded isometric view with the broken line showing of a cap section rendered for illustrative purposes only and forming no part of the claimed design.

[56] References Cited

U.S. PATENT DOCUMENTS

2,677,827	5/1954	Lockhart	2/175.4
4,873,726	10/1989	Tadia	2/195.1
5,070,545	12/1991	Tadia	2/195.1
5,107,548	4/1992	Dotzenrod	2/209.13
5,253,368	10/1993	Blake	2/209.13

1 Claim, 4 Drawing Sheets



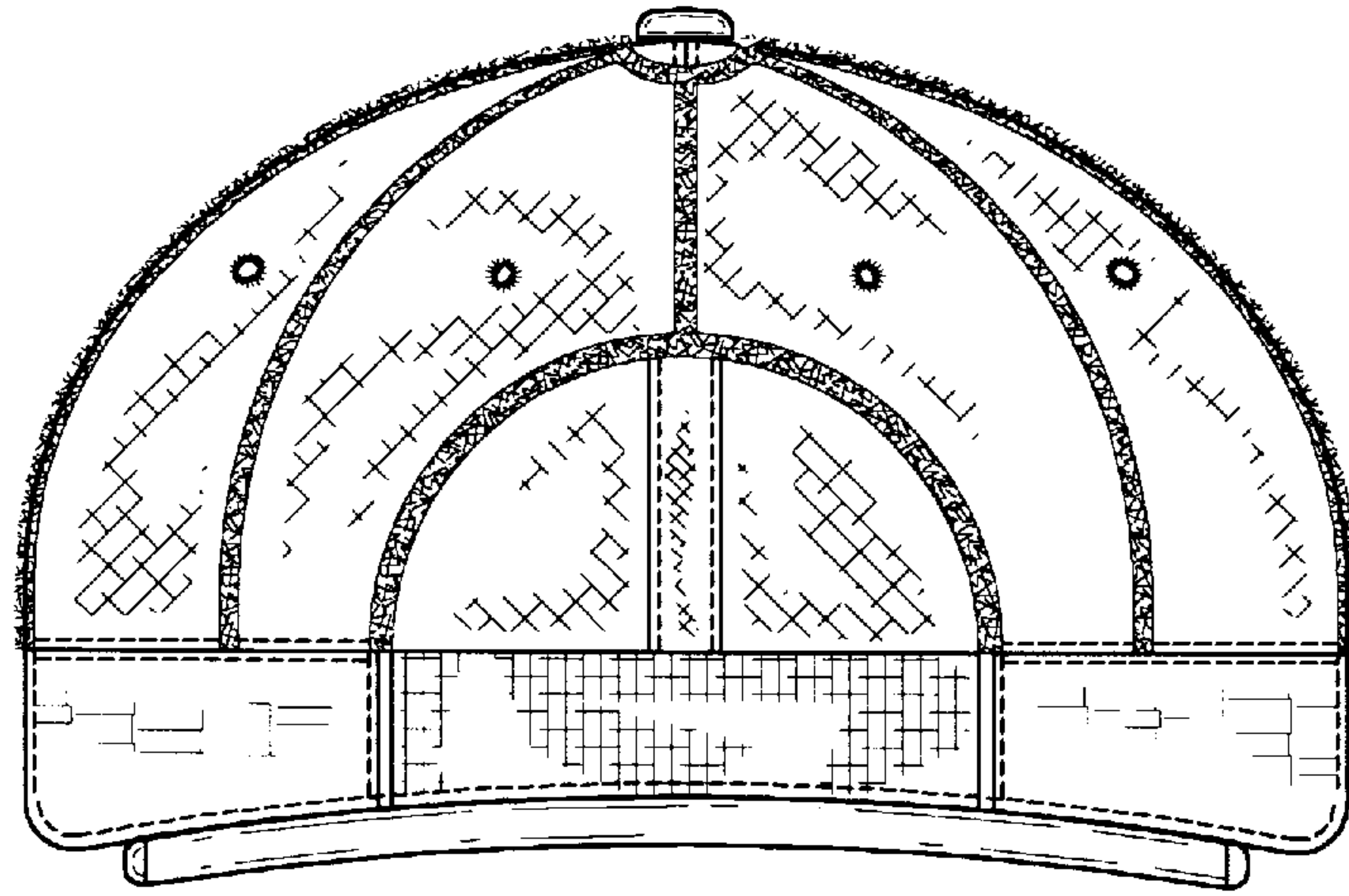


Fig. 2

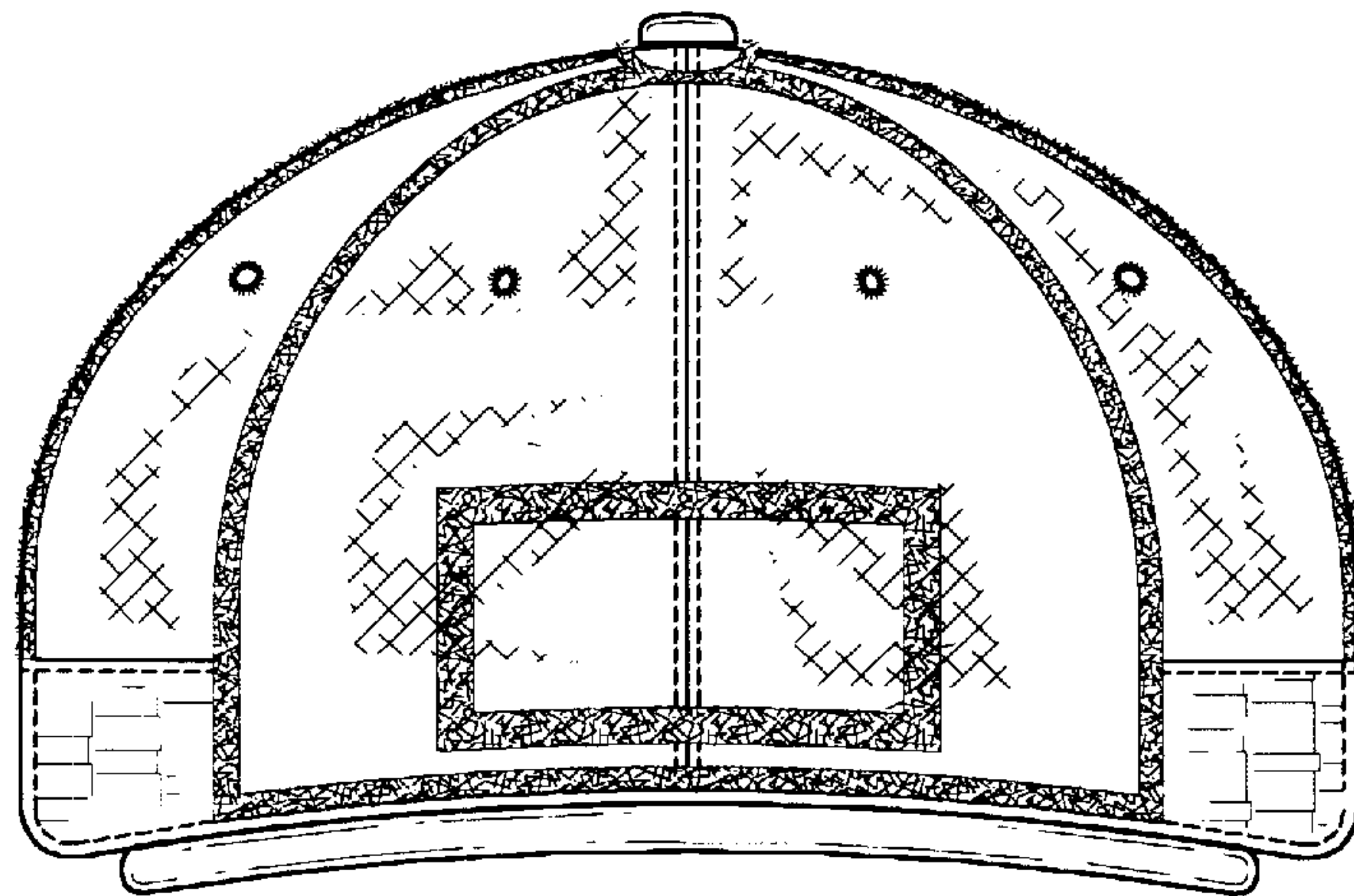


Fig. 1

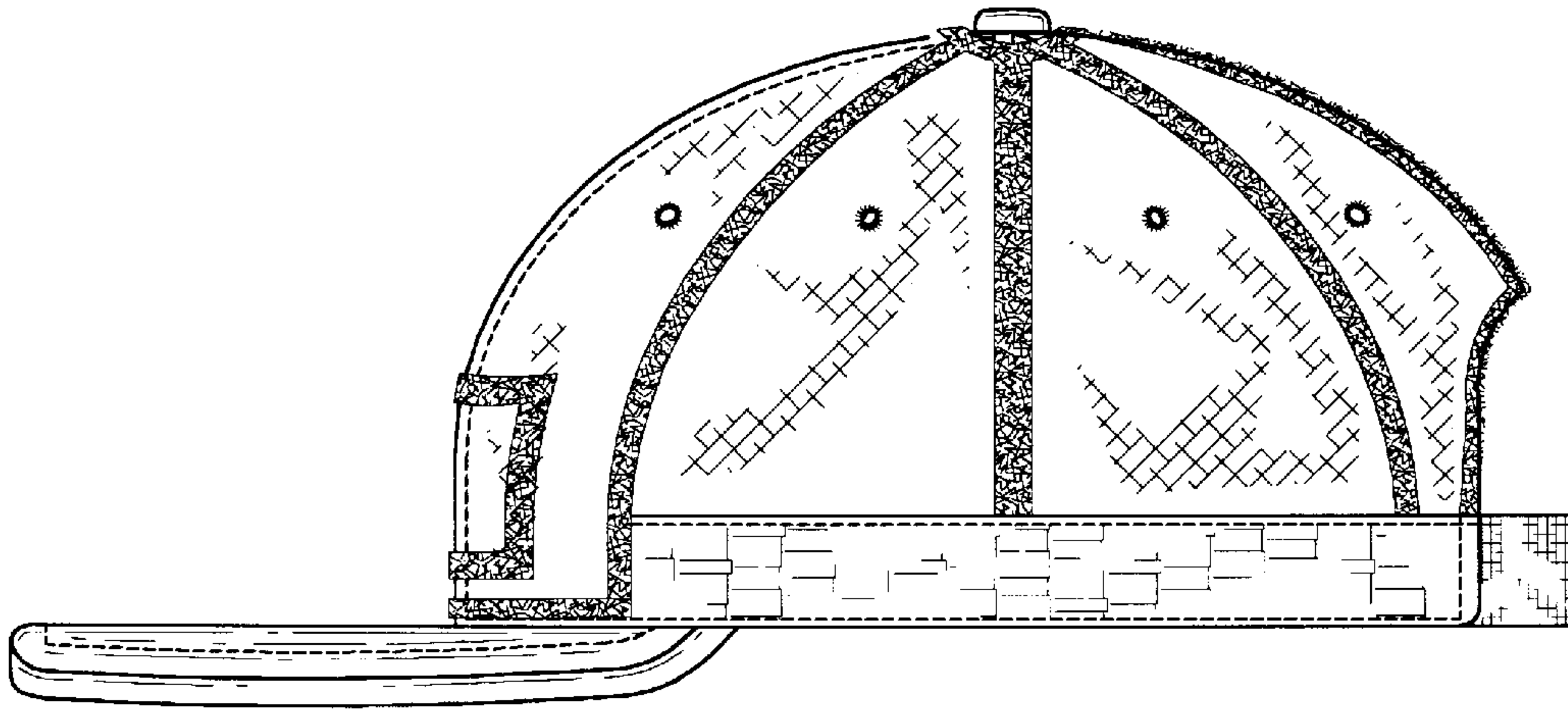


Fig. 4

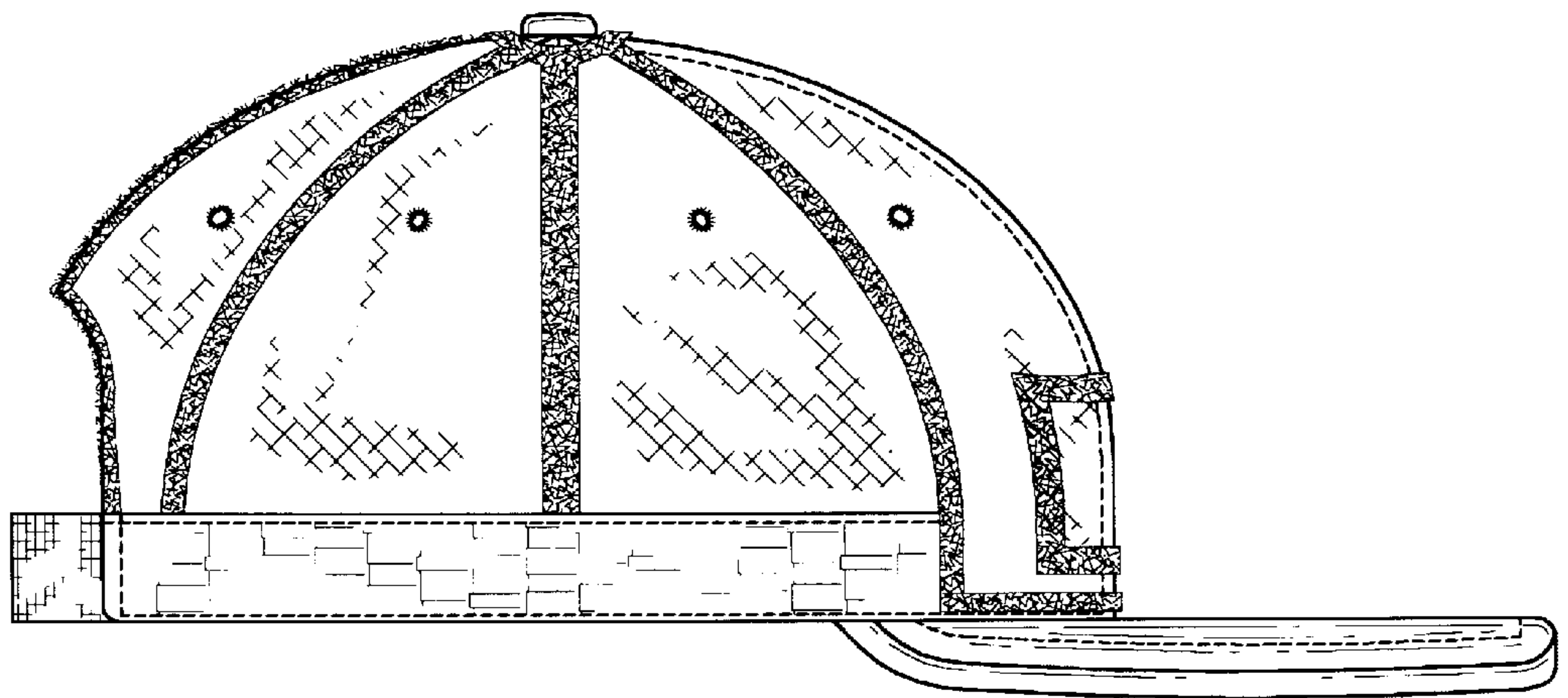


Fig. 3

Fig. 5

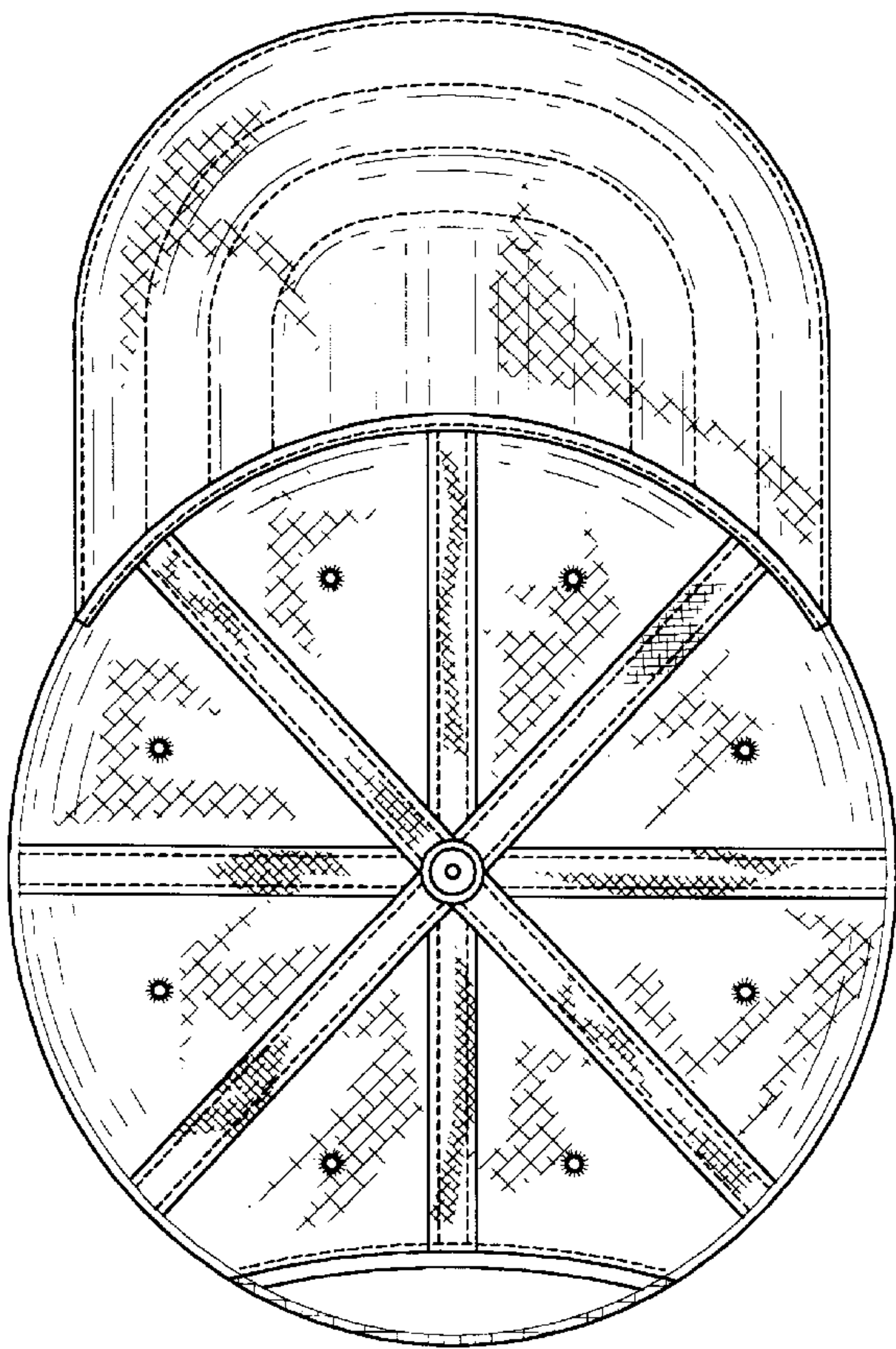
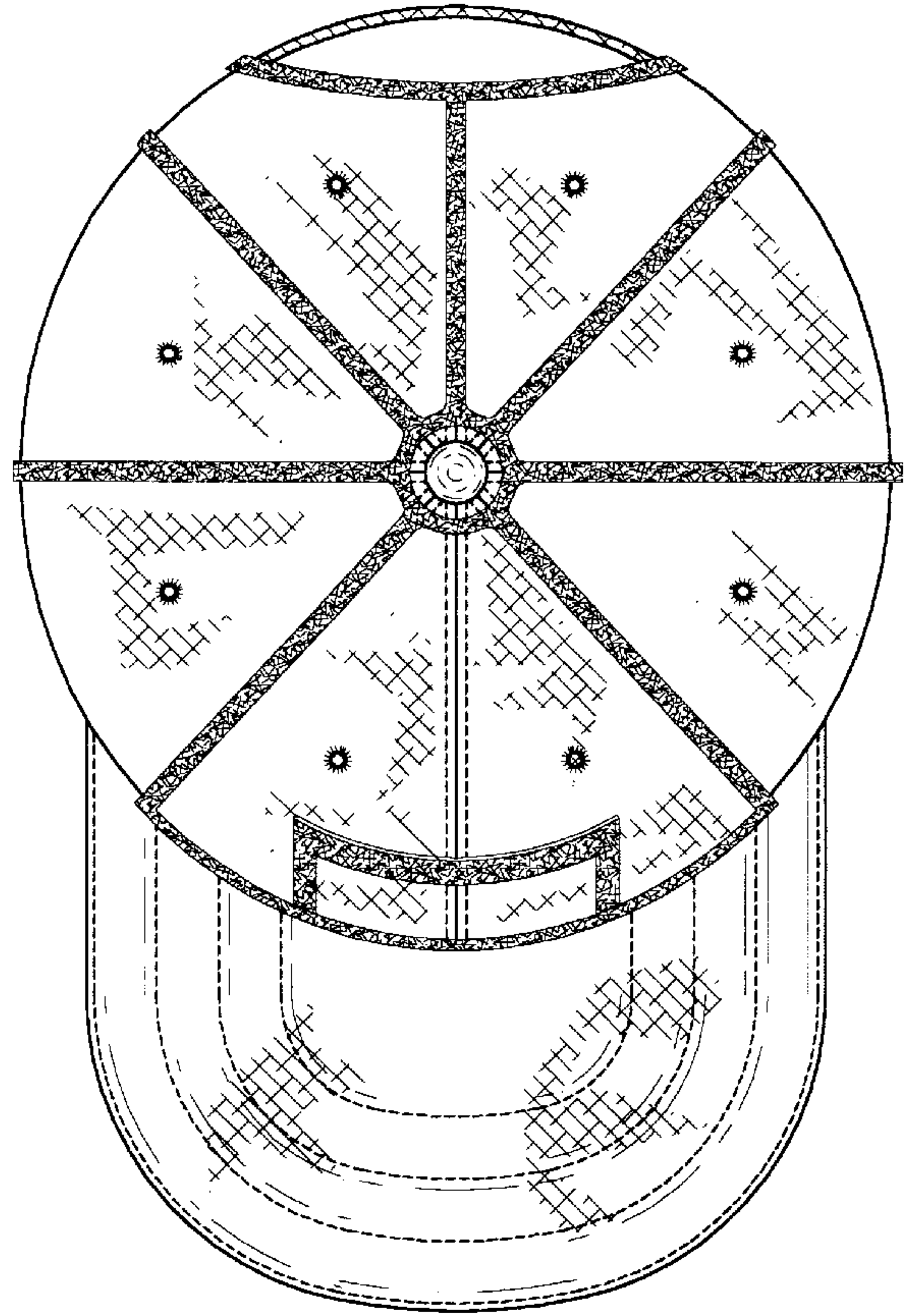


Fig. 6

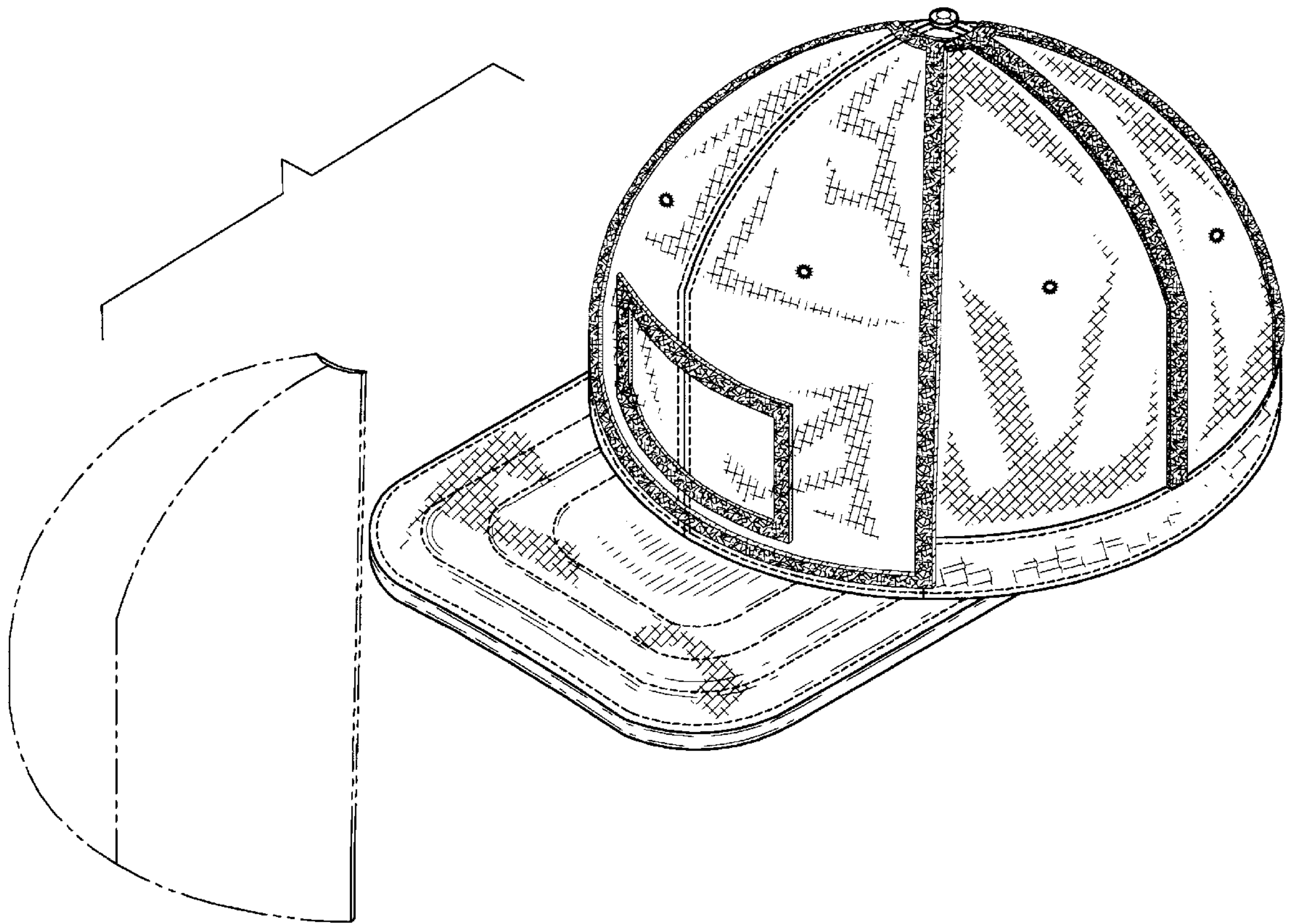


Fig. 7