



US00D405233S

**United States Patent** [19]  
**Hirabayashi et al.**

[11] **Patent Number: Des. 405,233**

[45] **Date of Patent: \*\*Feb. 2, 1999**

[54] **CORDLESS CABLE CUTTER**

5,642,566 7/1997 Hirabayashi ..... 30/228

[75] Inventors: **Shigeru Hirabayashi**, Matsumoto;  
**Masashi Isobe**, Kyoto, both of Japan

*Primary Examiner*—Antoine Duval Davis  
*Attorney, Agent, or Firm*—Thelen Reid & Priest LLP

[73] Assignees: **Izumi Products Company**, Matsumoto;  
**Japan Storage Battery Co., Ltd.**,  
Kyoto, both of Japan

[57] **CLAIM**

The ornamental design for a cordless cable cutter, as shown.

[\*\*] Term: **14 Years**

**DESCRIPTION**

[21] Appl. No.: **79,924**

FIG. 1 is a top elevational view;  
FIG. 2 is a front elevational view;  
FIG. 3 is a bottom elevational view;  
FIG. 4 is a left side elevational view;  
FIG. 5 is a right side elevational view;  
FIG. 6 is a rear elevational view;  
FIG. 7 is a perspective illustration;  
FIG. 8 is a perspective illustration;  
FIG. 9 is a perspective illustration;  
FIG. 10 is a perspective illustration; and,  
FIG. 11 is a perspective illustration.

[22] Filed: **Sep. 11, 1997**

[30] **Foreign Application Priority Data**

Mar. 13, 1997 [JP] Japan ..... 9-7336

[51] **LOC (6) Cl.** ..... **08-01**

[52] **U.S. Cl.** ..... **D8/61**

[58] **Field of Search** ..... D8/61; 30/228,  
30/181, 182, 190, 241-243, 292

[56] **References Cited**

**U.S. PATENT DOCUMENTS**

D. 386,660 11/1997 Hirabayashi ..... D8/61

**1 Claim, 5 Drawing Sheets**

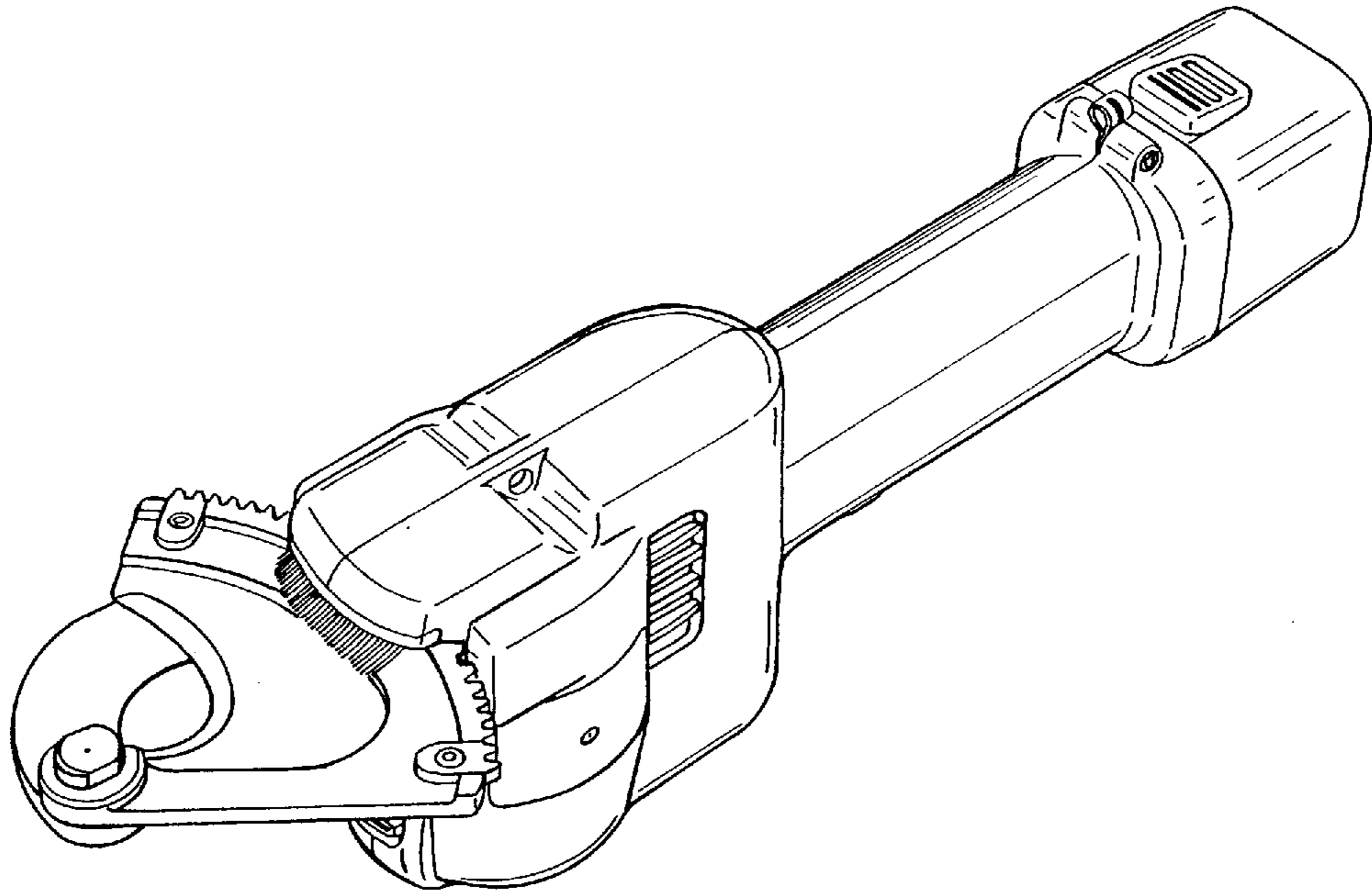


Fig.1

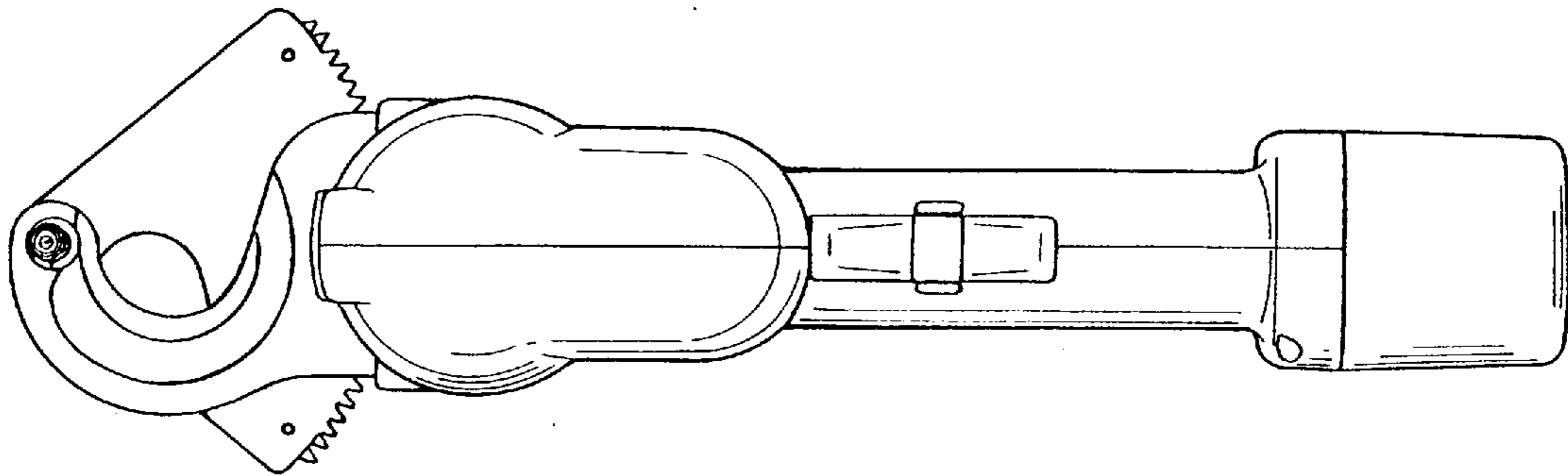


Fig.2

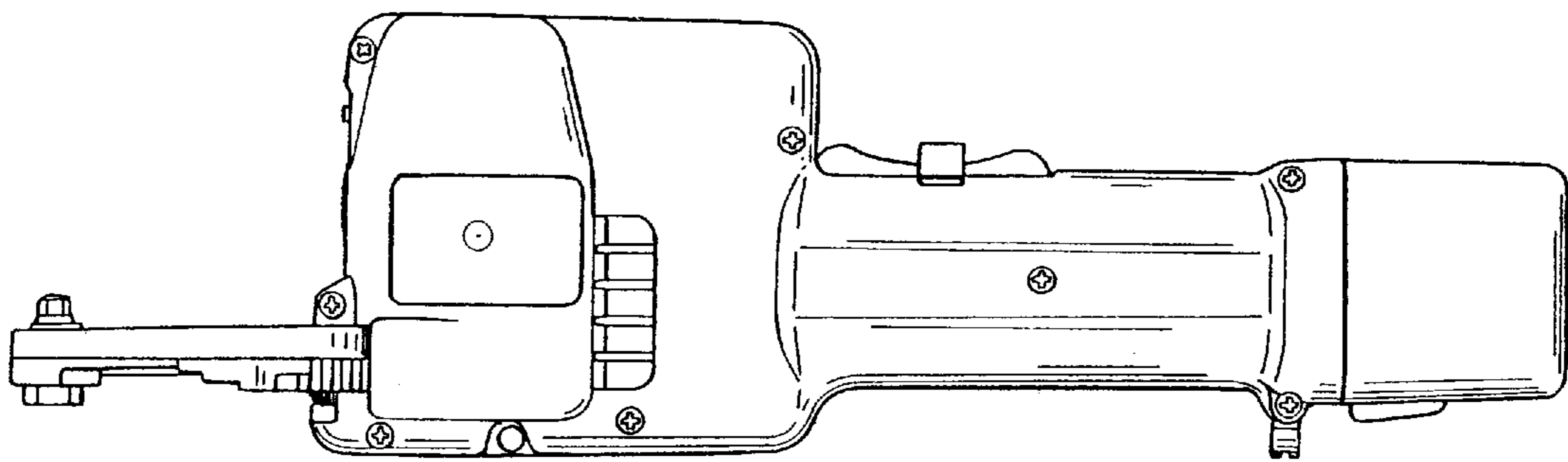


Fig.3

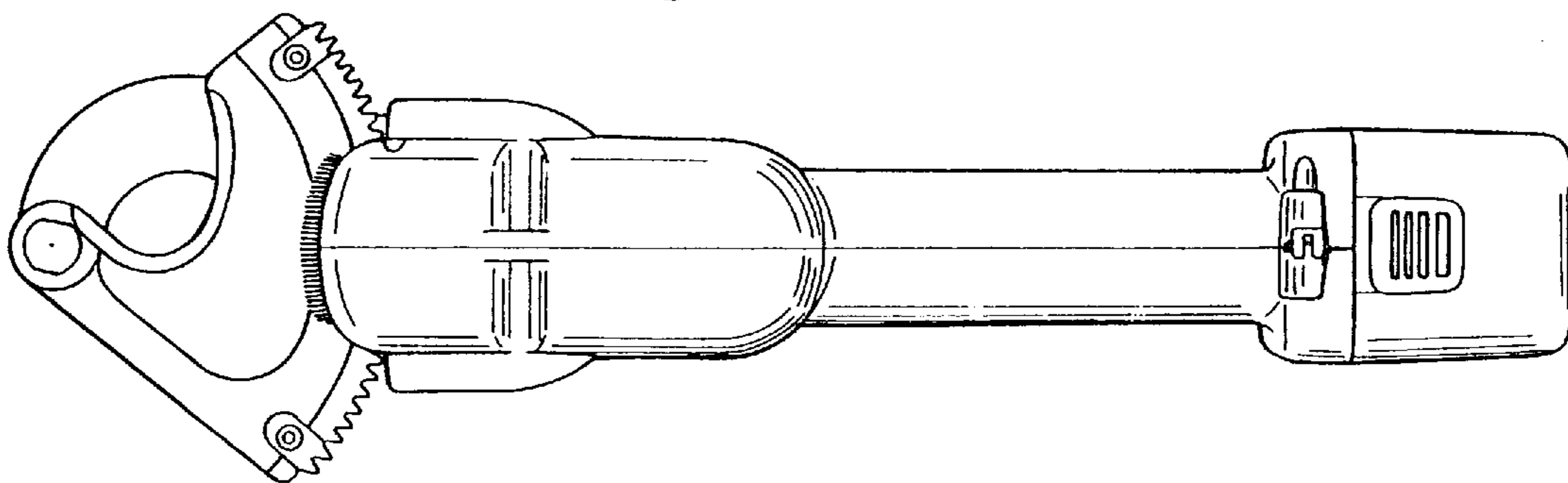


Fig.4

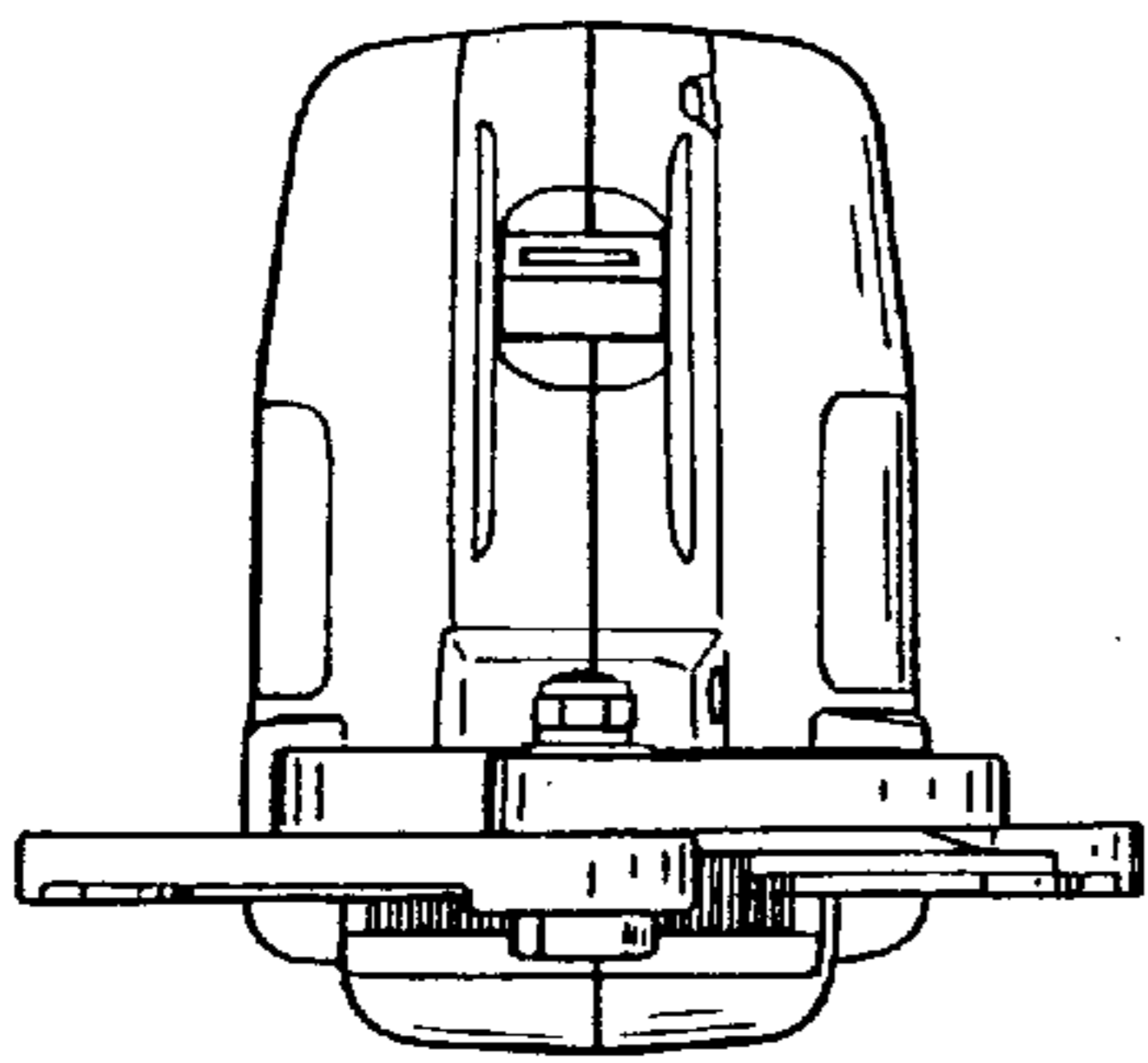


Fig.5

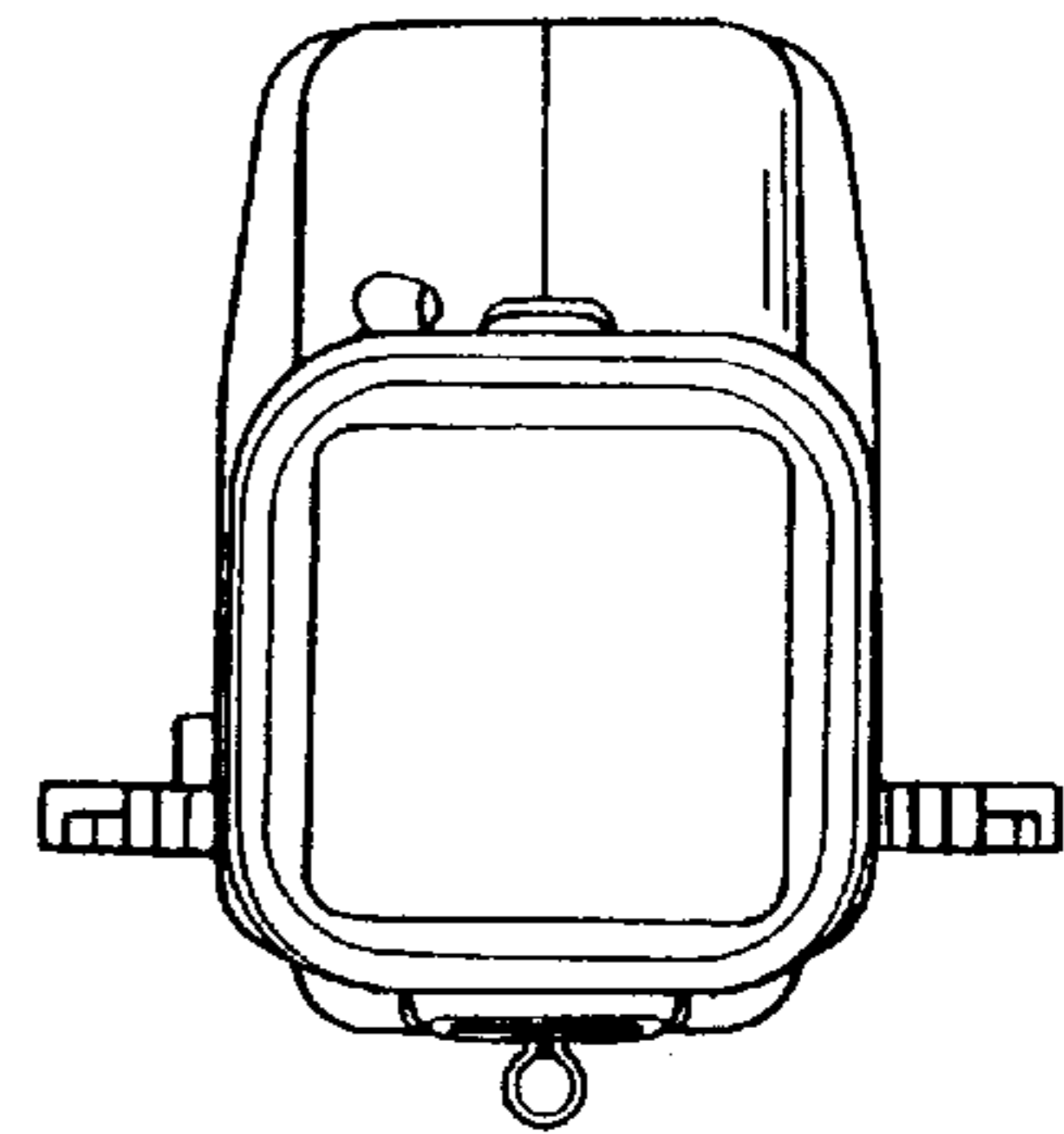


Fig.6

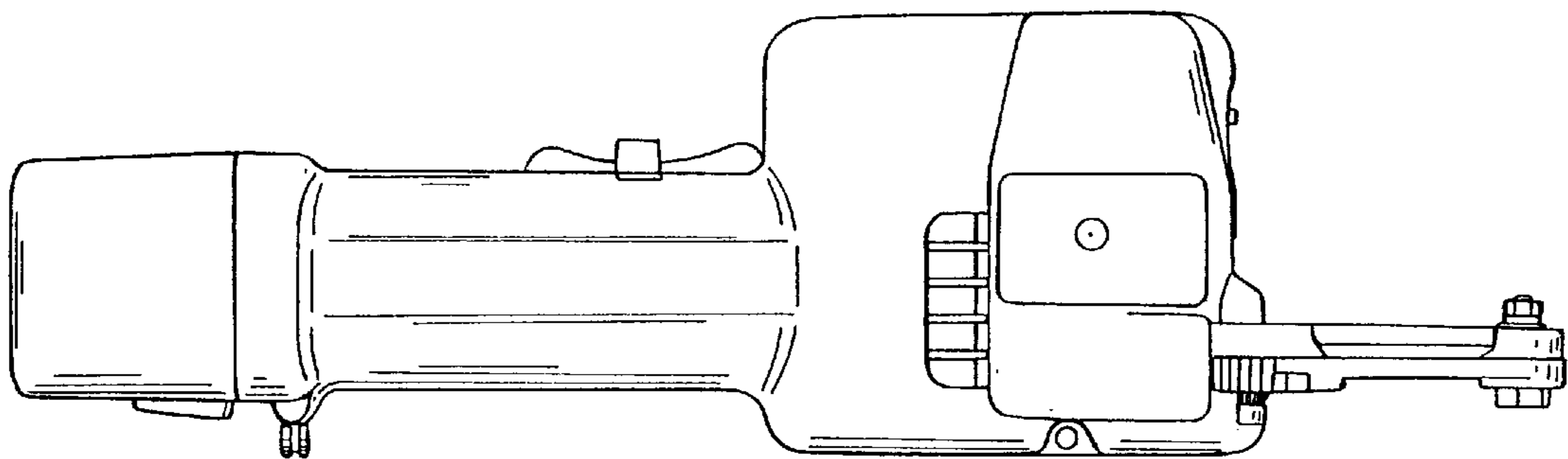


Fig.7

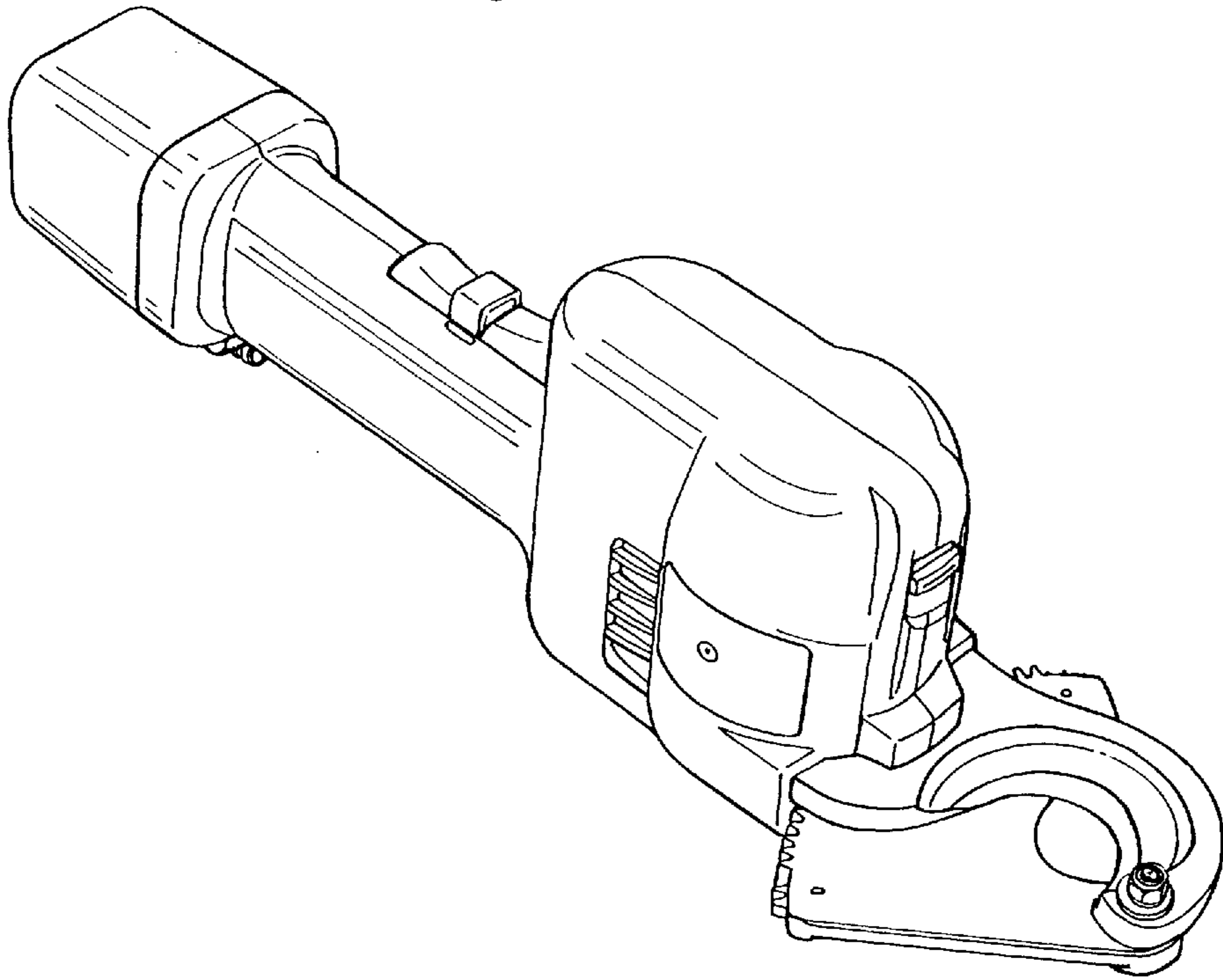


Fig.8

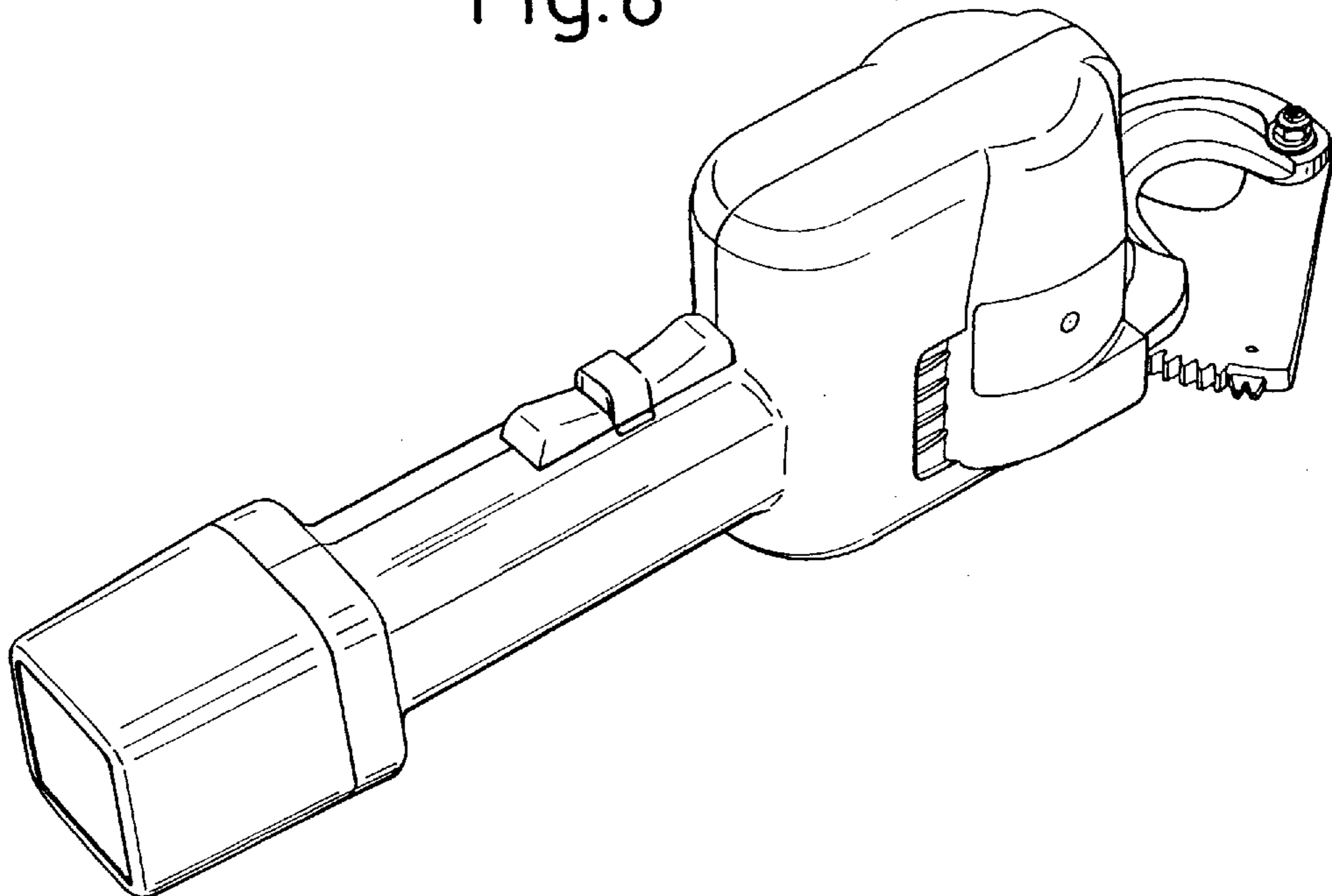


Fig.9

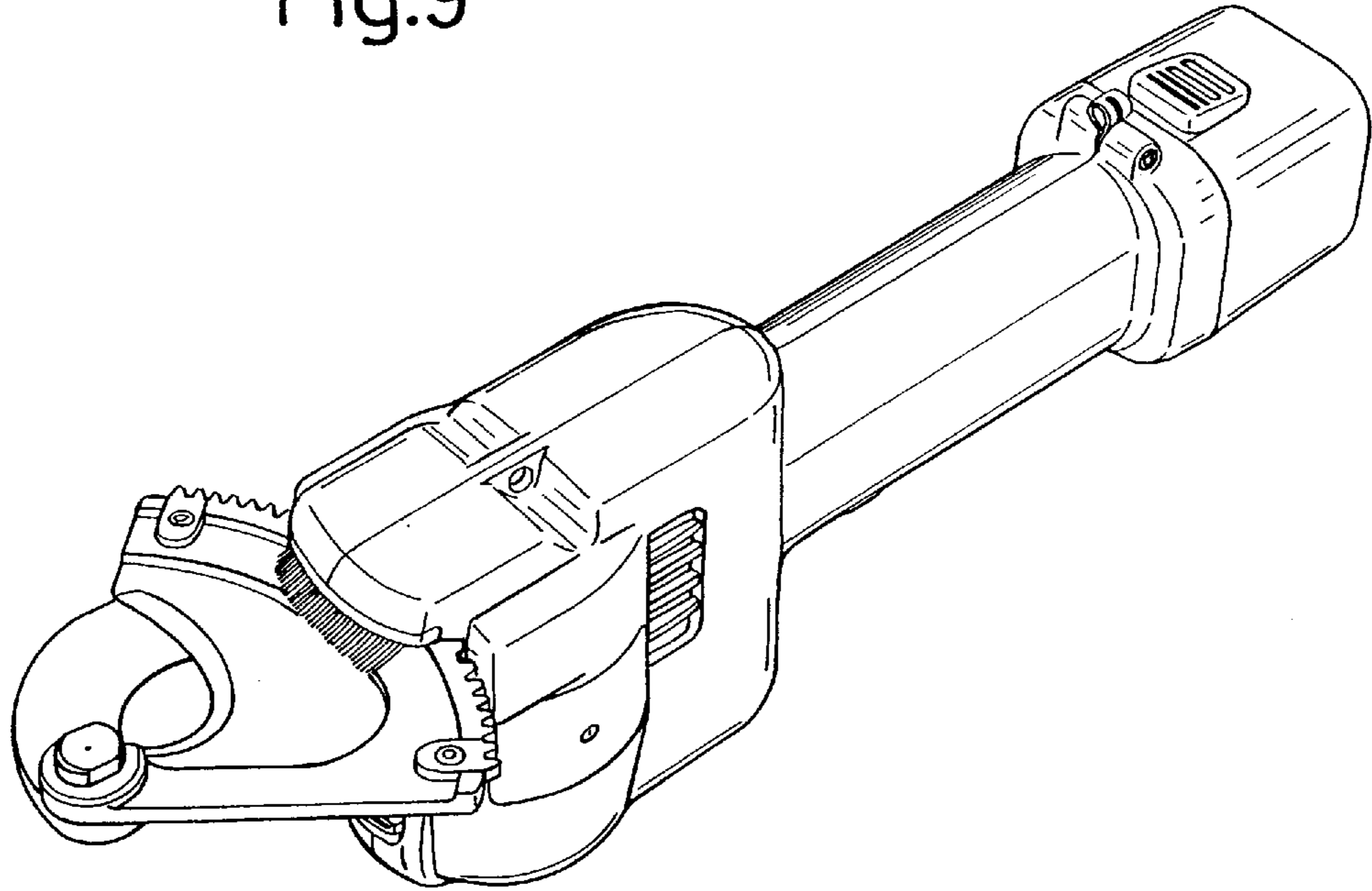


Fig.10

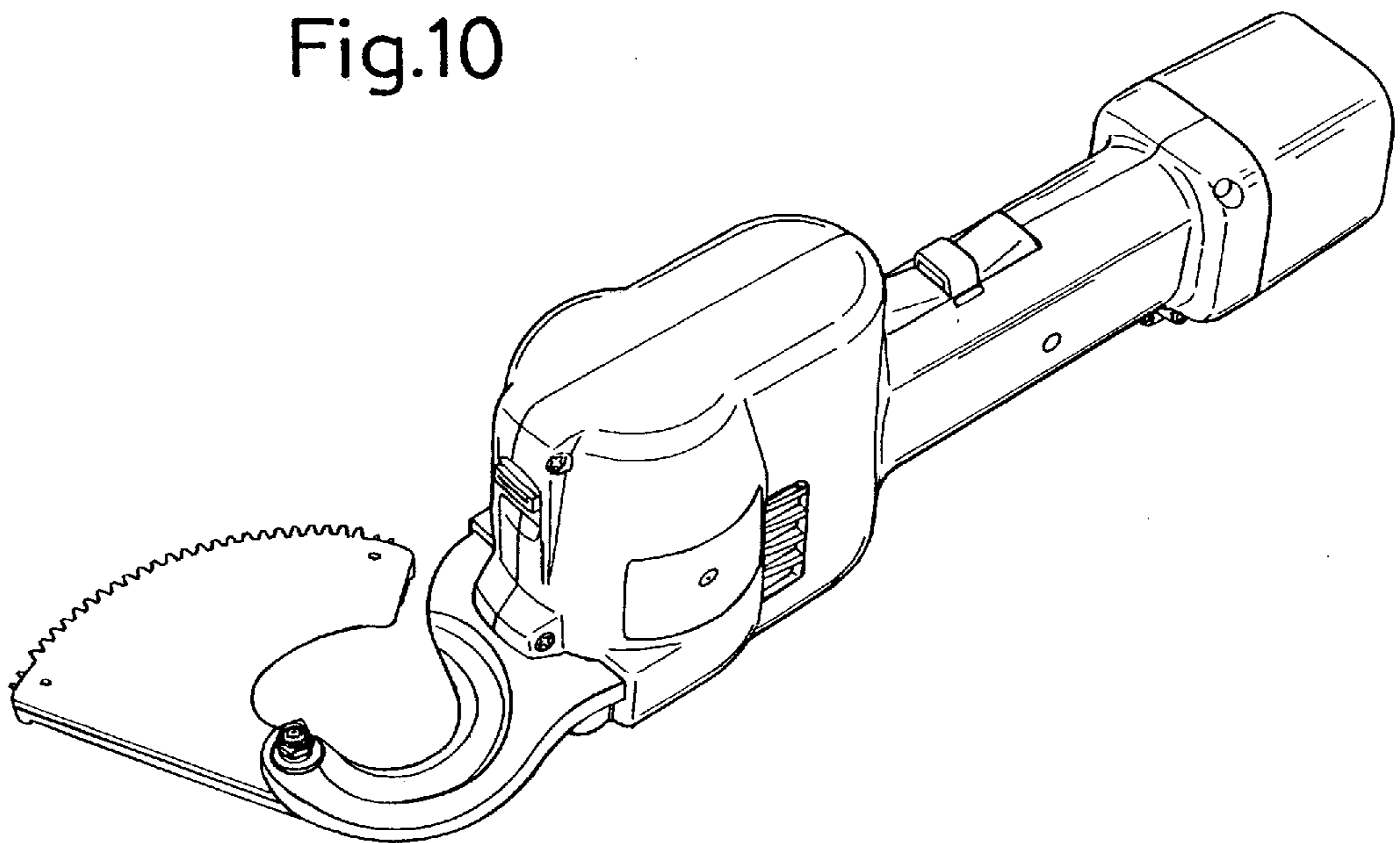


Fig.11

