



US00D405229S

United States Patent [19]

Tobin

[11] Patent Number: Des. 405,229

[45] Date of Patent: **Feb. 2, 1999

[54] STACKABLE HAIR ROLLER HOLDER

4,812,616 3/1989 Hong 219/222

[75] Inventor: Richard Neil Tobin, Stamford, Conn.

Primary Examiner—Raphael Barkai

Assistant Examiner—C. Tuttle

[73] Assignee: Conair Corporation, Stamford, Conn.

Attorney, Agent, or Firm—Ohlandt, Greeley, Ruggiero & Perle

[**] Term: 14 Years

[57] CLAIM

[21] Appl. No.: 81,044

The ornamental design for a stackable hair roller holder, as shown and described.

[22] Filed: Oct. 7, 1997

DESCRIPTION

[51] LOC (6) Cl. 28-03

[52] U.S. Cl. D28/38

[58] Field of Search D28/35, 37, 38;
132/227-236, 271; 219/222, 242, 521

FIG. 1 is a front and right side perspective view of a stackable hair roller holder showing my new design; FIG. 2 is a top plan view thereof; FIG. 3 is a front elevational view thereof; FIG. 4 is a right elevational view thereof, with the left side elevational view being a mirror image thereof; FIG. 5 is a rear elevational view thereof; and, FIG. 6 is a bottom plan view of the stackable hair roller holder of FIG. 1.

[56] References Cited

U.S. PATENT DOCUMENTS

D. 217,204	4/1970	Pedersen	D28/38
D. 289,090	3/1987	Wistrand	D28/38
D. 313,284	12/1990	Montagnino et al.	D28/38
3,585,357	6/1971	Mandell et al.	219/222
4,499,355	2/1985	Walter	132/229 X
4,658,114	4/1987	Hong	219/222

The broken line showing of the cord is for illustrative purposes only and forms no part of the claimed design.

1 Claim, 4 Drawing Sheets

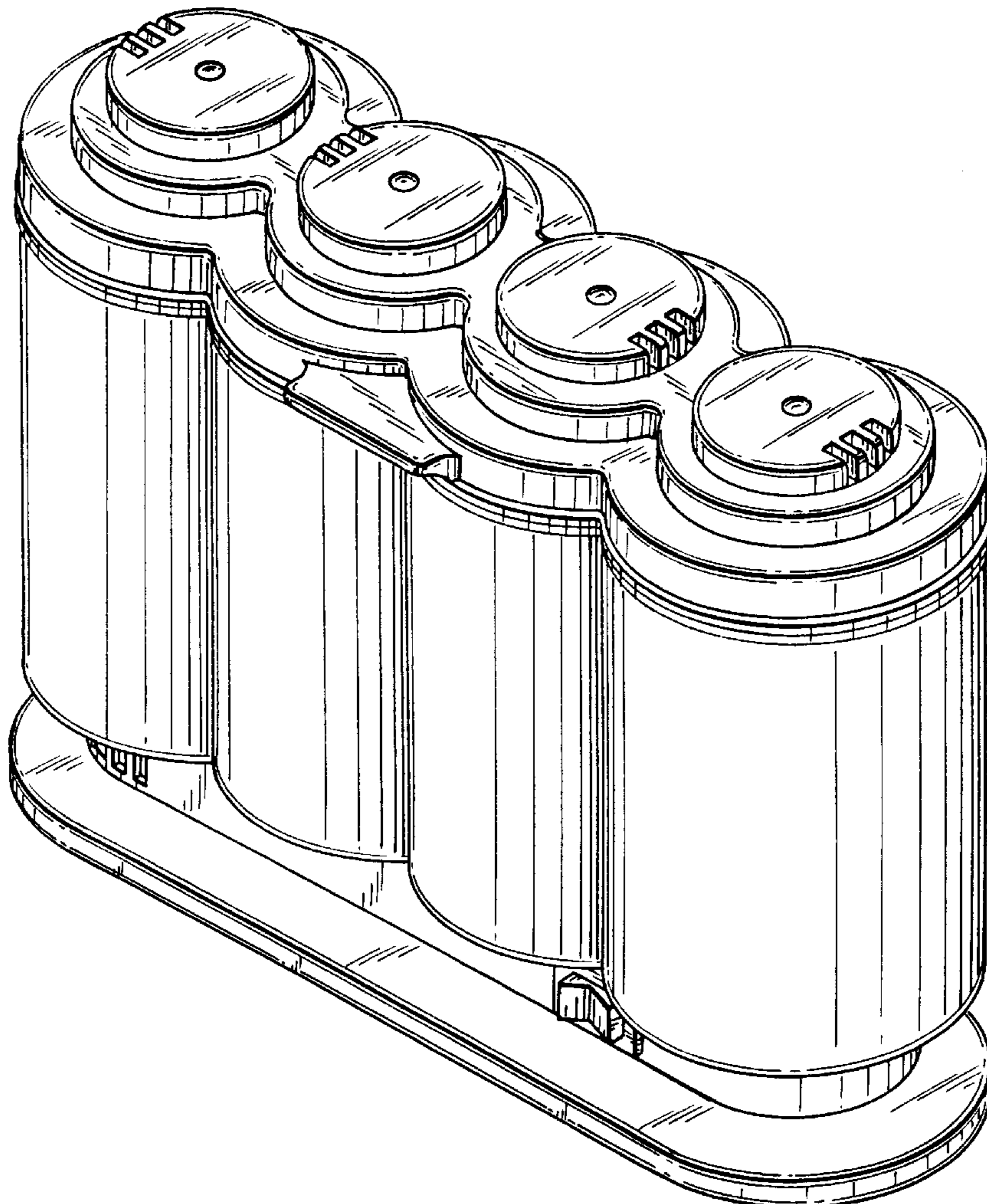
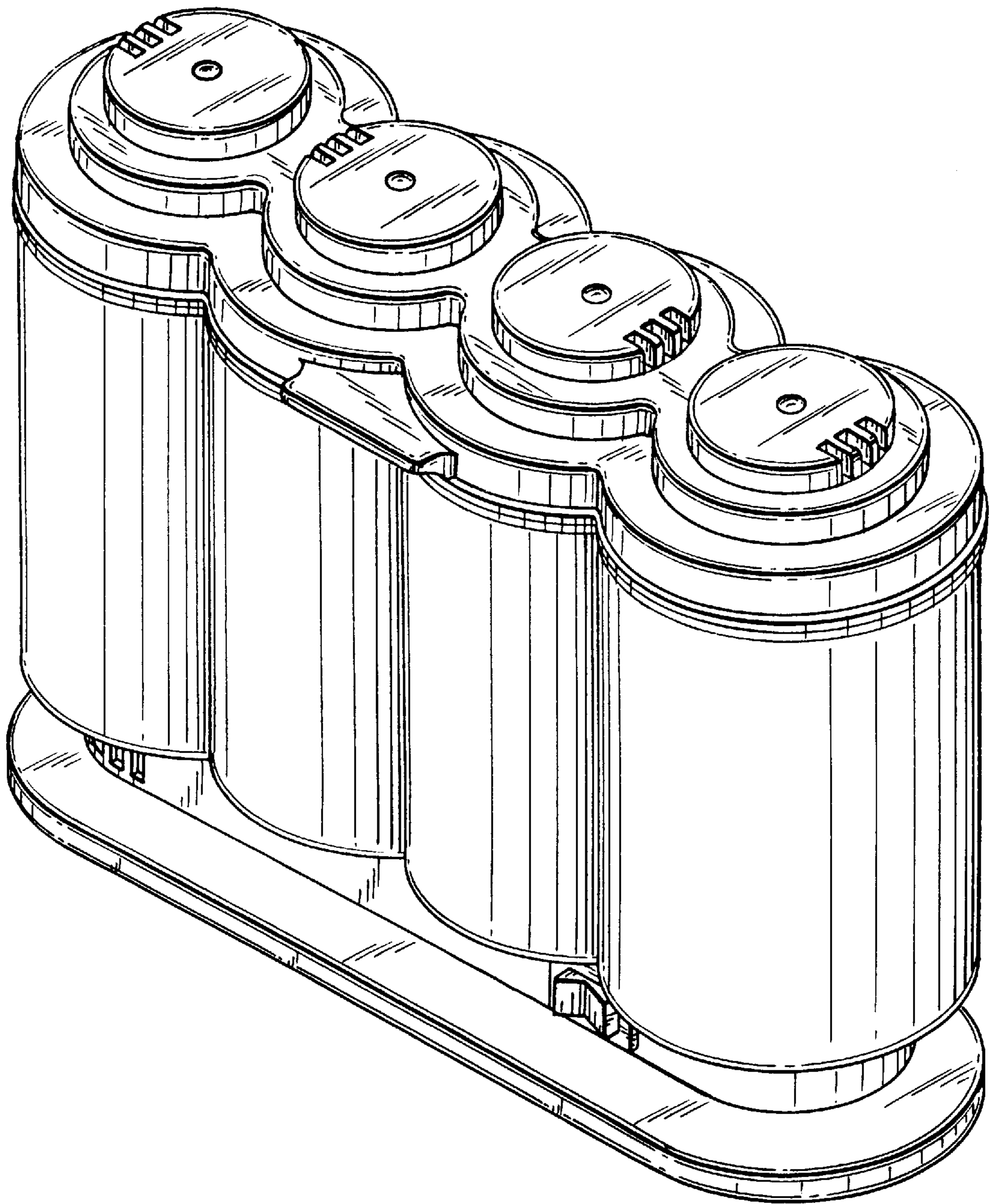


FIG. 1



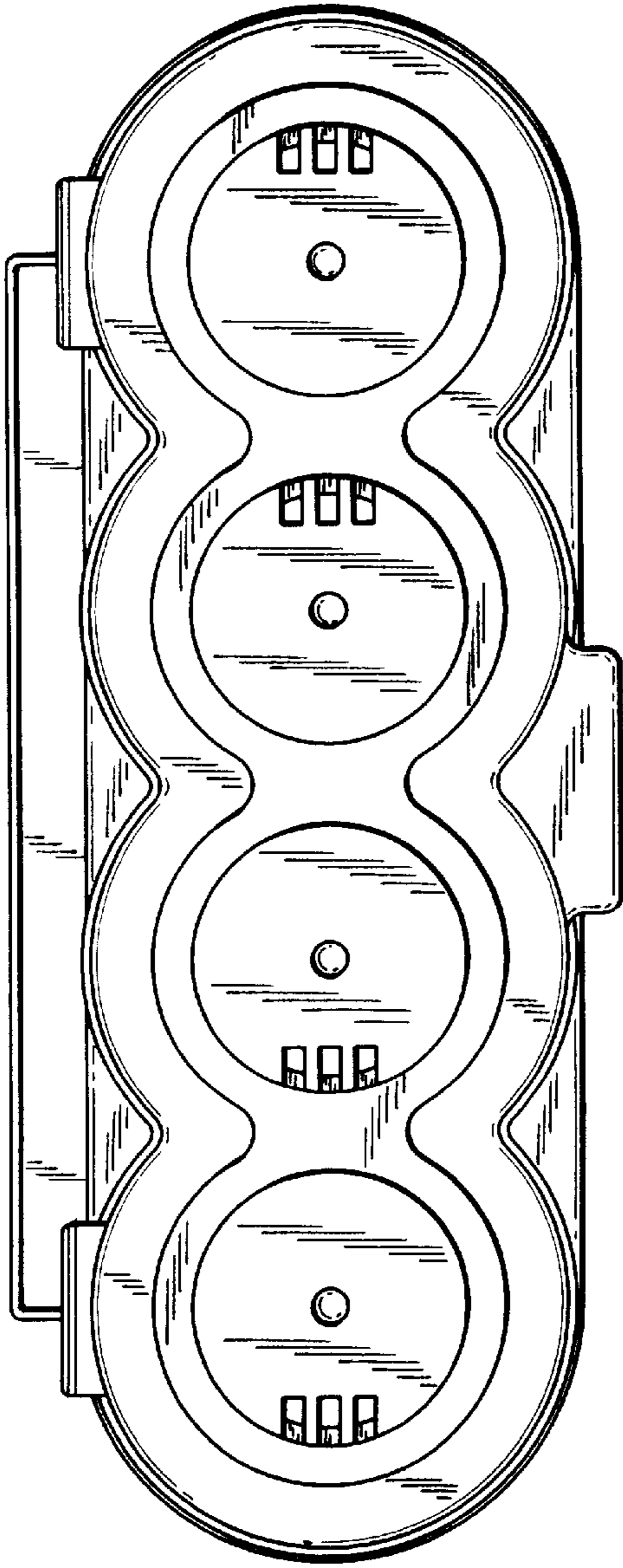


FIG. 2

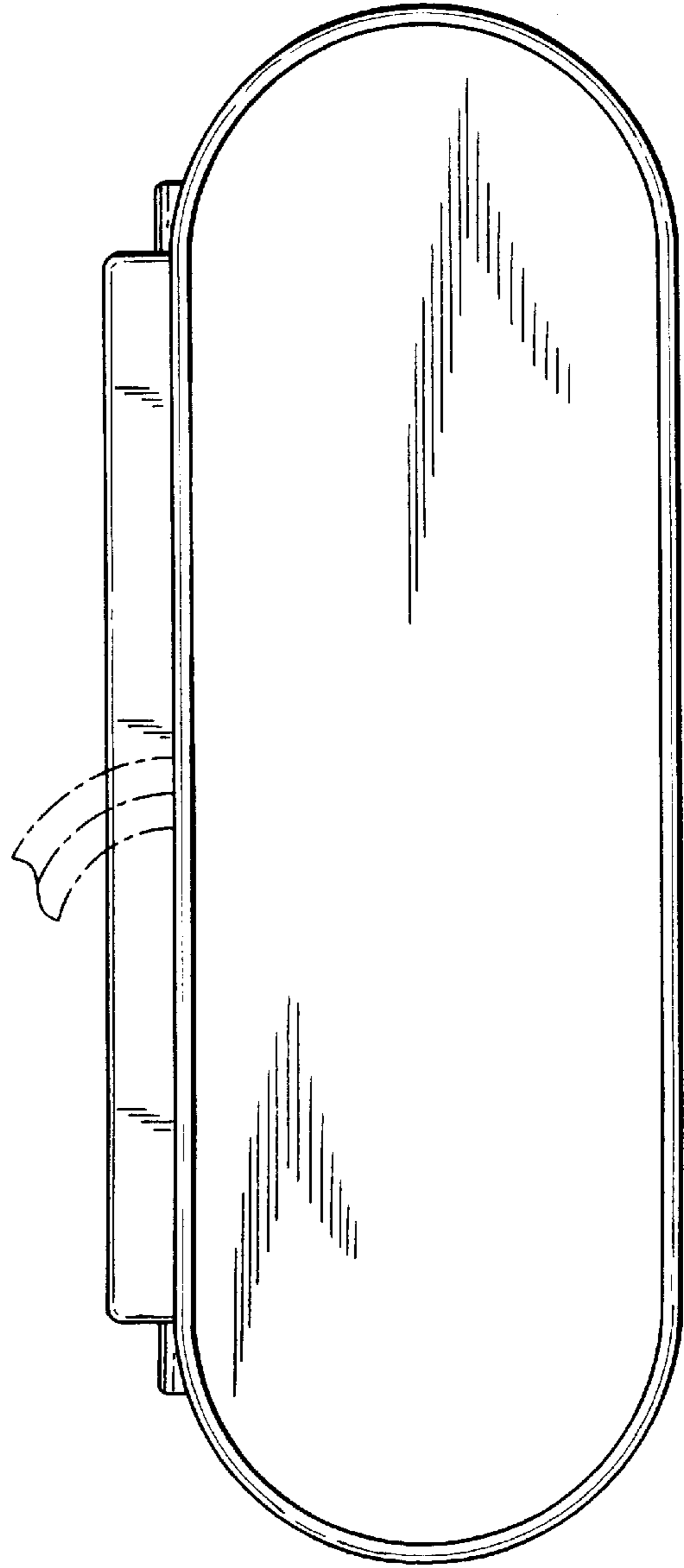


FIG. 6

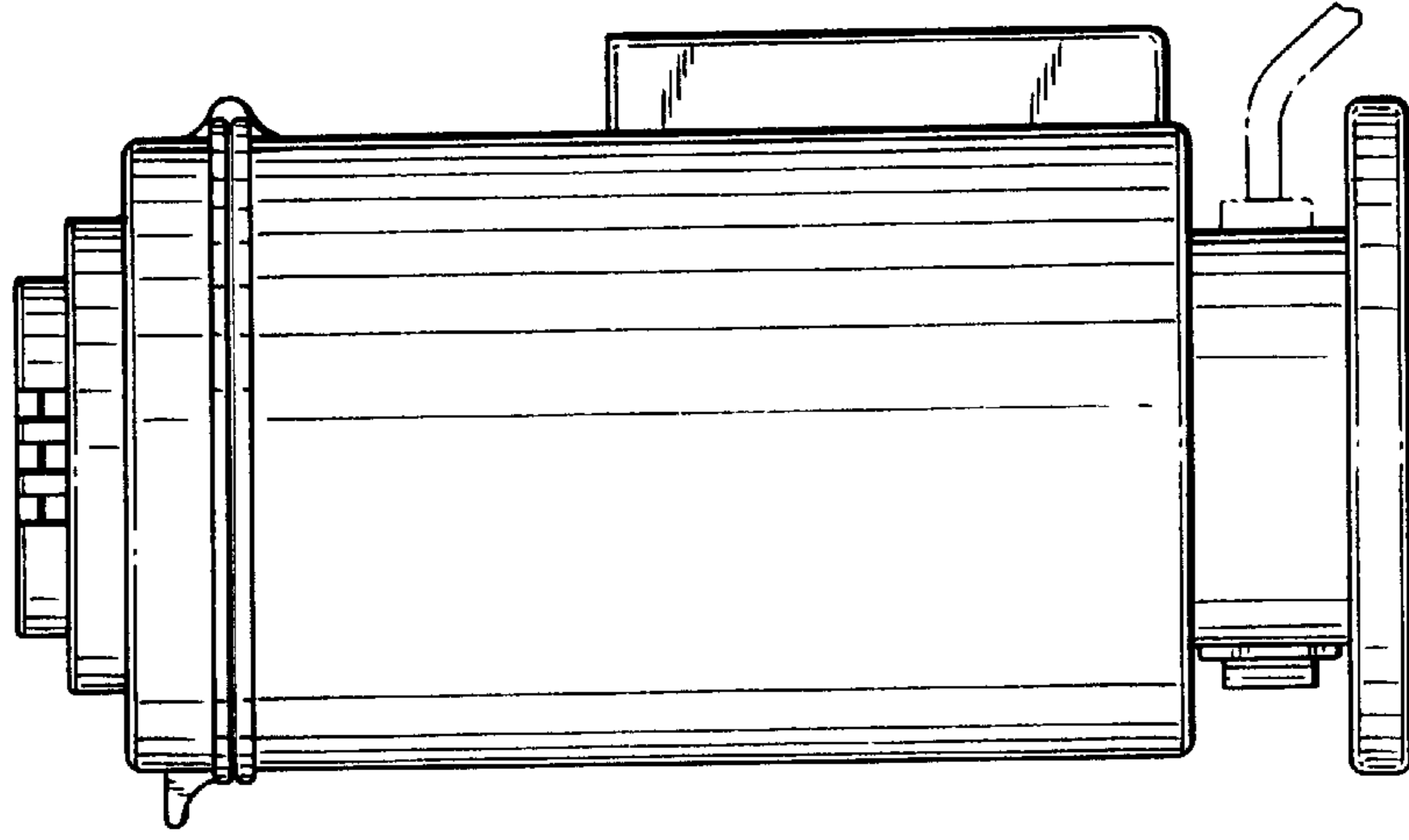


FIG. 4

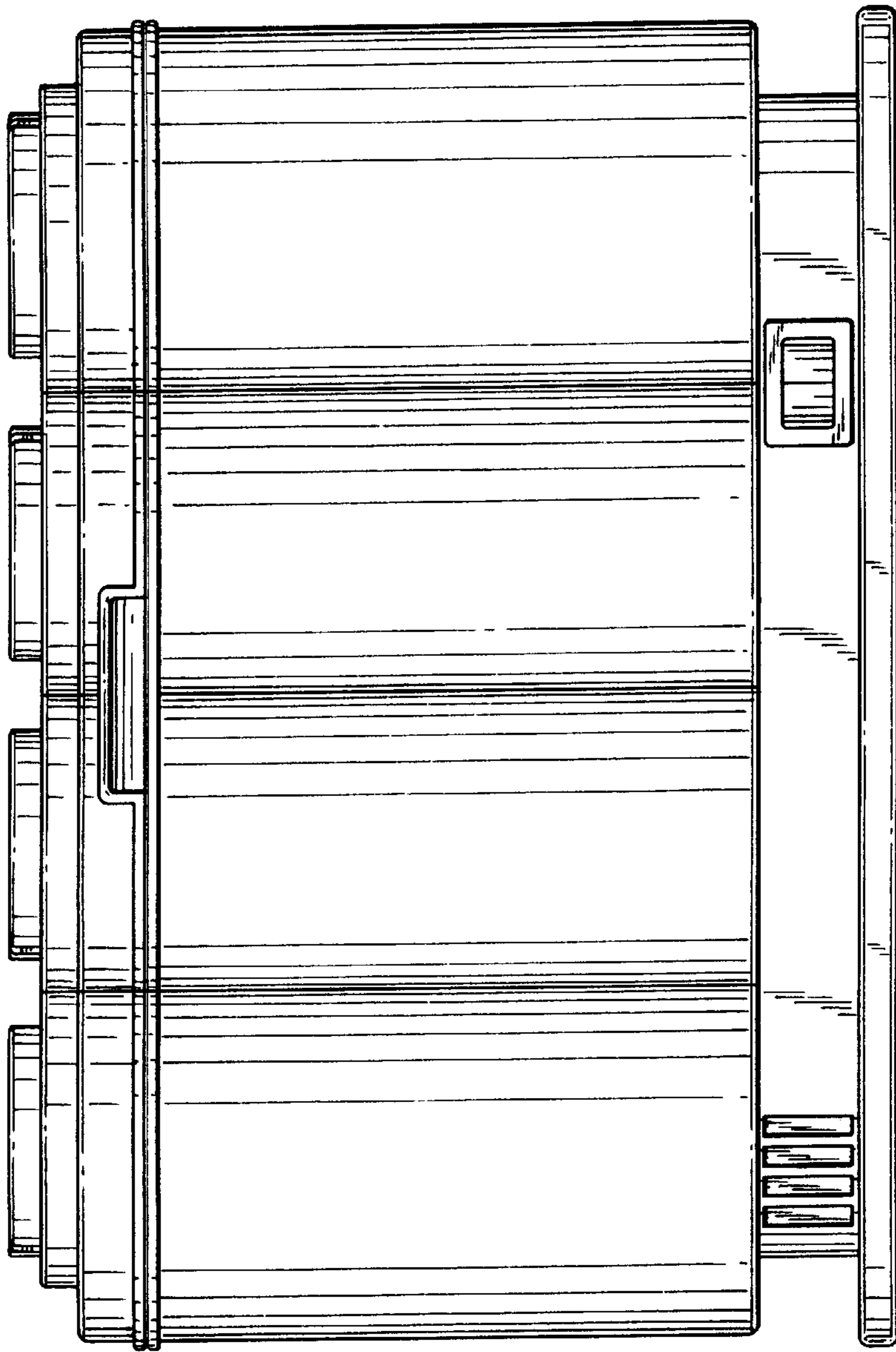


FIG. 3

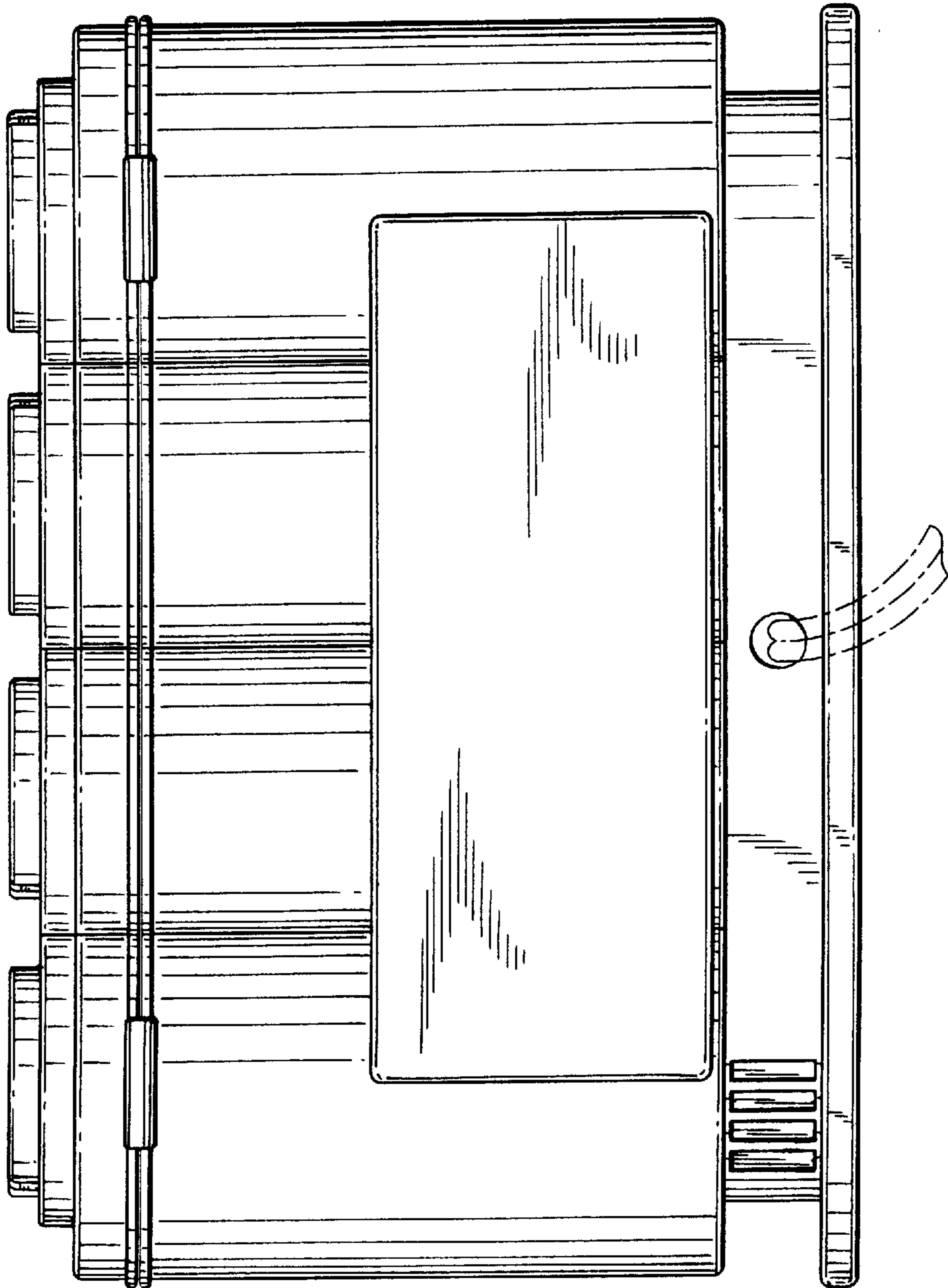


FIG.5